

KÜSCHALL K-SERIES *attract*

Product Description:

The Kuschall attract is designed to suit a wide range of user requirements. A great chair option for anybody at any age offering effortless mobility and attractive style.

How to use:

- Use only Adobe Acrobat application to electronically fill out the order form
- Use the default selections to order a product with the most common configuration
- Use the "**Reset**" button located in the form's footer to reset selections to their defaults
- Use the "**Clear All**" button located in the form's footer to clear selections, including defaults. This feature allows for a blank order form to be printed and completed by hand
- Use the "**E-mail to Kuschall order box**" button located on the last page of the form to e-mail the completed form directly to the Kuschallorders@invacare.com e-mail inbox
- Forms can be completed electronically, printed, and e-mailed or faxed to Kuschallorders@invacare.com or 1-877-251-3539 if access to Acrobat Reader for Windows is unavailable

(Acrobat Reader for Windows with java-script enabled is required to save and attach to e-mail)

Features:

- Tabulated options for an organized and standardized work-flow
- New more specific option codes which will appear on confirmations to improve customer / manufacturing communication
- Common special requests have been given option codes
- Built in exclusions to help eliminate errors
- Ability to save the form after it is filled out
- Ability to e-mail the form inside Acrobat Reader rather than saving a copy and attaching to an e-mail
- Ability to clear the entire form so it can be printed and completed by hand in the field when a computer is not available
- Ability to reset form to default selections

Invacare Corporation

This information is not intended to be, nor should it be considered billing or legal advice. Providers are responsible for determining the appropriate billing codes when submitting claims to the Medicare Program and should consult an attorney or other advisor to discuss specific situations in further detail

All rights reserved. Trademarks are identified by the symbols ™ and ®. All trademarks are owned by or licensed to Invacare Corporation unless otherwise noted.

Specifications and prices are subject to change without notification. ©2017 Invacare Corporation Form # 17-046 REV B KPIPARO 02-15-2017

KÜSCHALL K-SERIES attract



Order Request Type:

 Quote

 Order

PO #

Last four:

Provider / Customer Information:

Provider Information:

End User Information:

Date:	Name:	Height:
IVC Acct #:	Address:	Weight:
Contact:	Address:	Leg Length:
Phone #:	City:	Hip Width:
Fax/Email:	State:	Zip:
		Phone #:
<input type="radio"/> Ship to Provider	<input type="radio"/> Ship to End User	
		Email

Base Model:

Item #:	Description:	Price:
<input type="radio"/> DDZ0068	Kuschall K-Series attract Wheelchair	\$1875.00

Frame Material and Angle: (Aluminum with tapered front frame)

Item #:	Description:	List Price:
<input type="radio"/> DDZ0293	75 degrees to the ground	\$165.00
<input type="radio"/> DDZ0294	90 degrees to the ground (Not available with 5" front wheels)	\$165.00

Seat Width: (SB)

Item #:	Description:	List Price:
<input type="radio"/> DDZ0126	SB 360 mm / 14-3/4 inches	\$0.00
<input type="radio"/> DDZ0128	SB 380 mm / 15 inches	\$0.00
<input type="radio"/> DDZ0130	SB 400 mm / 16 inches	\$0.00
<input type="radio"/> DDZ0132	SB 420 mm / 17 inches	\$0.00
<input type="radio"/> DDZ0134	SB 440 mm / 17-1/4 inches	\$0.00
<input type="radio"/> DDZ0136	SB 460 mm / 18 inches	\$0.00
<input type="radio"/> DDZ0138	SB 480 mm / 19 inches	\$0.00

Seat Depth: (ST)

Item #:	Description:	List Price:
<input type="radio"/> DDZ0414	ST 375 mm / 14-3/4 inches (Not available with Matrx Cushions)	\$0.00
<input type="radio"/> DDZ0417	ST 400 mm / 15-3/4 inches	\$0.00
<input type="radio"/> DDZ0420	ST 425 mm / 16-3/4 inches	\$0.00
<input type="radio"/> DDZ0423	ST 450 mm / 17-3/4 inches	\$0.00
<input type="radio"/> DDZ0426	ST 475 mm / 18-1/2 inches	\$0.00

Seat Position: (SP)

Item #:	Description:	List Price:
<input type="radio"/> DDZ0462	Position 2 = 125 mm / 5 inches (Most tippy position)	\$0.00
<input type="radio"/> DDZ0463	Position 3 = 110 mm / 4-1/4 inches	\$0.00
<input type="radio"/> DDZ0464	Position 4 = 95 mm / 3-3/4 inches	\$0.00
<input type="radio"/> DDZ0465	Position 5 = 80 mm / 3-1/4 inches (Least tippy position)	\$0.00

Back Height: (RH)

(Not possible with Matrx backrests)

Item #:	Description:	List Price:
<input type="radio"/> DDZ0503	RH 315 mm / 12-1/2 inches	\$0.00
<input type="radio"/> DDZ0506	RH 330 mm / 13 inches	\$0.00
<input type="radio"/> DDZ0509	RH345 mm / 13-1/2 inches	\$0.00
<input type="radio"/> DDZ0512	RH 360 mm / 14 inches	\$0.00
<input type="radio"/> DDZ0514	RH 375 mm / 14-3/4 inches	\$0.00
<input type="radio"/> DDZ0516	RH 390 mm / 15-1/4 inches	\$0.00
<input type="radio"/> DDZ0518	RH 405 mm / 16 inches	\$0.00
<input type="radio"/> DDZ0520	RH 420 mm / 16-1/2 inches	\$0.00
<input type="radio"/> DDZ0522	RH 435 mm / 17-1/4 inches	\$0.00
<input type="radio"/> DDZ0524	RH 450 mm / 17-3/4 inches	\$0.00
<input type="radio"/> DDZ0526	RH 465 mm / 18-1/4 inches	\$0.00
<input type="radio"/> DDZ0528	RH 480 mm / 19 inches	\$0.00

Front Seat-to-Floor: (SHv)

Item #:	Description:	List Price:
<input type="radio"/> DDZ0850	SHv 480 mm / 19 inches	\$0.00
<input type="radio"/> DDZ0851	SHv 490 mm / 19-1/4 inches	\$0.00
<input type="radio"/> DDZ0852	SHv 500 mm / 19-3/4 inches	\$0.00
<input type="radio"/> DDZ0853	SHv 510 mm / 20 inches	\$0.00

Rear Seat-to-Floor: (SHh)

Item #:	Description:	List Price:
<input type="radio"/> DDZ0945	SHv 400 mm / 15-3/4 inches	\$0.00
<input type="radio"/> DDZ0946	SHv 410 mm / 16-1/4 inches	\$0.00
<input type="radio"/> DDZ0947	SHv 420 mm / 16-1/2 inches	\$0.00
<input type="radio"/> DDZ0948	SHv 430 mm / 17 inches	\$0.00
<input type="radio"/> DDZ0949	SHv 440 mm / 17-1/4 inches	\$0.00
<input type="radio"/> DDZ0950	SHv 450 mm / 17-3/4 inches	\$0.00
<input type="radio"/> DDZ0951	SHv 460 mm / 18 inches	\$0.00
<input type="radio"/> DDZ0952	SHv 470 mm / 18-1/2 inches	\$0.00
<input type="radio"/> DDZ0953	SHv 480 mm / 19 inches	\$0.00

Invacare Corporation

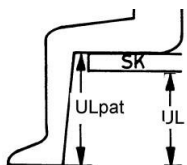
This information is not intended to be, nor should it be considered billing or legal advice. Providers are responsible for determining the appropriate billing codes when submitting claims to the Medicare Program and should consult an attorney or other advisor to discuss specific situations in further detail.

All rights reserved. Trademarks are identified by the symbols ™ and ®. All trademarks are owned by or licensed to Invacare Corporation unless otherwise noted.

Specifications and prices are subject to change without notification. ©2017 Invacare Corporation Form # 17-046 REV B KPIPARO 02-15-2017

KÜSCHALL K-SERIES attract

Knee-To-Heel Length: (UL)		
(75° frame: UL ≤ SHv - 1.18" ; 90° frame: UL ≤ SHv - 1.57")		
Item #:	Description:	List Price:
<input type="radio"/> DDZ1670	UL 290 mm / 11-1/2 inches (Not possible w/ front frame protectors (DDZ1739); only possible w\ high mounted footrest)	\$0.00
<input type="radio"/> DDZ1671	UL 300 mm / 12 inches (Not possible w/ front frame protectors (DDZ1739); only possible w\ high mounted footrest)	\$0.00
<input type="radio"/> DDZ1672	UL 310 mm / 12-1/4 inches (Not possible w/ front frame protectors (DDZ1739); only possible w\ high mounted footrest)	\$0.00
<input type="radio"/> DDZ1673	UL 320 mm / 12-1/2 inches (Not possible w/ front frame protectors (DDZ1739); only possible w\ high mounted footrest)	\$0.00
<input type="radio"/> DDZ1674	UL 330 mm / 13 inches (Not possible w/ front frame protectors (DDZ1739); only possible w\ high mounted footrest)	\$0.00
<input type="radio"/> DDZ1675	UL 340 mm / 13-1/4 inches (Not possible w/ front frame protectors (DDZ1739); only possible w\ high mounted footrest)	\$0.00
<input type="radio"/> DDZ1676	UL 350 mm / 13-3/4 inches (Not possible w/ front frame protectors (DDZ1739); only possible w\ high mounted footrest)	\$0.00
<input type="radio"/> DDZ1677	UL 360 mm / 14-1/4 inches (Not possible w/ front frame protectors (DDZ1739); only possible w\ high mounted footrest)	\$0.00
<input type="radio"/> DDZ1678	UL 370 mm / 14-1/2 inches (Not possible w/ front frame protectors (DDZ1739); only possible w\ high mounted footrest)	\$0.00
<input type="radio"/> DDZ1679	UL 380 mm / 15 inches	\$0.00
<input type="radio"/> DDZ1680	UL 390 mm / 15-1/4 inches	\$0.00
<input type="radio"/> DDZ1681	UL 400 mm / 15-3/4 inches	\$0.00
<input type="radio"/> DDZ1682	UL 410 mm / 16-1/4 inches	\$0.00
<input type="radio"/> DDZ1683	UL 420 mm / 16-1/2 inches	\$0.00
<input type="radio"/> DDZ1684	UL 430 mm / 17 inches	\$0.00
<input type="radio"/> DDZ1685	UL 440 mm / 17-1/4 inches	\$0.00
<input type="radio"/> DDZ1686	UL 450 mm / 17-3/4 inches	\$0.00
<input type="radio"/> DDZ1687	UL 460 mm / 18 inches	\$0.00
<input type="radio"/> DDZ1688	UL 470 mm / 18-1/2 inches	\$0.00
<input type="radio"/> DDZ1689	UL 480 mm / 19 inches	\$0.00



User's UL must be measured taking away the cushion thickness

Backrest Type:		
Item #:	Description:	List Price:
<input type="radio"/> DDZ0773	Aluminum backrest with straight backbrace (Not available with MatrX backrests)	\$0.00
<input type="radio"/> DDZ0772	Backrest with lower rounded bar for backrest mounting (Backrest tubes height 285 mm, without back upholstery (NC DDZ0725 or DDZ0735); only without push handles or with push handles height adjustable integrated)	\$0.00

Back Upholstery:		
(Not possible with MatrX backrests)		
Item #:	Description:	List Price:
<input type="radio"/> DDZ0725	Tension Velcro adjustable back , black	\$200.00
<input type="radio"/> DDZ0735	Aero Back, tension adjustable	\$200.00
<input type="radio"/> DDZ0769	Omit Back Upholstery	\$0.00

MatrX Backrests: Requires Additional Lead-Time		
(Only possible with without push handles (DDZ0750) and Push Handles integrated (DDZ0733. Height refers to actual height of the MatrX backrest)		
Item #:	Description:	List Price:
<input type="radio"/> DDZ0753	MatrX MX1, Height 230 mm / 10 inches with dual-mount quick release (Not possible for SB 480 mm (DDZ0128))	\$775.00
<input type="radio"/> DDZ0754	MatrX MX1, Height 310 mm / 14 inches with dual-mount quick release (Not possible for SB 480 mm (DDZ0128))	\$775.00
<input type="radio"/> DDZ0755	MatrX MX1, Height 410 mm / 16 inches with dual-mount quick release (Not possible for SB 480 mm (DDZ0128))	\$775.00
<input type="radio"/> DDZ0756	Elite Deep, Height 310 mm / 14 inches with easy-set mounting hardware	\$625.00
<input type="radio"/> DDZ0758	Elite Deep, Height 260 mm / 12 inches with easy-set mounting hardware	\$625.00
<input type="radio"/> DDZ0759	Elite Standard, Height 310 mm / 14 inches	\$625.00
<input type="radio"/> DDZ0760	Elite Standard, Height 360 mm / 15 inches with easy-set mounting hardware (Not possible for SB 480 mm (DDZ0128))	\$625.00

Push Handles		
Item #:	Description:	List Price:
<input type="radio"/> DDZ0750	Push Handles, Omit	\$0.00
<input type="radio"/> DDZ0751	Push Handles, Fixed Short (Not possible with MatrX backrests)	\$75.00
<input type="radio"/> DDZ0702	Push Handles, Fixed Long (Not possible with MatrX backrests)	\$75.00
<input type="radio"/> DDZ0703	Push Handles, Height Adjustable, rear set (Not possible with MatrX backrests)	\$75.00
<input type="radio"/> DDZ0704	Push Handles, Foldable (Not possible with MatrX backrests)	\$270.00
<input type="radio"/> DDZ0733	Push Handles, Height Adjustable Integrated (Only possible with MatrX backrests)	\$90.00

Invacare Corporation

This information is not intended to be, nor should it be considered billing or legal advice. Providers are responsible for determining the appropriate billing codes when submitting claims to the Medicare Program and should consult an attorney or other advisor to discuss specific situations in further detail

All rights reserved. Trademarks are identified by the symbols ™ and ®. All trademarks are owned by or licensed to Invacare Corporation unless otherwise noted.

Specifications and prices are subject to change without notification. ©2017 Invacare Corporation Form # 17-046 REV B KPIPARO 02-15-2017

KÜSCHALL K-SERIES attract

Backrest Angle: (RW)		
Item #:	Description:	List Price:
<input type="radio"/> DDZ0707	Backrest Angle, 74 degrees from seat	\$0.00
<input type="radio"/> DDZ0718	Backrest Angle, 78 degrees from seat	\$0.00
<input type="radio"/> DDZ0709	Backrest Angle, 82 degrees from seat	\$0.00
<input type="radio"/> DDZ0719	Backrest Angle, 86 degrees from seat	\$0.00
<input type="radio"/> DDZ0711	Backrest Angle, 90 degrees from seat	\$0.00

Seat Upholstery: (Tube / Plate)		
Item #:	Description:	List Price:
<input type="radio"/> DDZ0610	Standard	\$0.00
<input type="radio"/> DDZ0611	Tension Adjustable with one central Velcro band (soft)	\$200.00

Seat Bag:		
Item #:	Description:	List Price:
<input type="radio"/> DDZ0606	Seat Bag, Click In, Removable	\$52.50

Seat Cushion:		
Item #:	Description:	List Price:
<input type="radio"/> DDZ0600	Cushion, Standard Seat, 60 mm / 2.35 inches, double foam with visco top	\$75.00
<input type="radio"/> DDZ0662	Cushion, MatrX Libra (Not possible in Seat Depth (ST) 375 mm / 14-3/4 inches (DDZ0414); Seat Width (SB) 360 mm / 14 inches (DDZ0126) not possible in Seat Depth (ST) 450 mm / 18 inches (DDZ0423) or 475 mm / 19 inches (DDZ0426))	\$485.00
<input type="radio"/> DDZ0663	Cushion, MatrX Vi (Not possible in Seat Depth (ST) 375 mm / 14-3/4 inches (DDZ0414); Seat Width (SB) 360 mm / 14 inches (DDZ0126) not possible in Seat Depth (ST) 450 mm / 18 inches (DDZ0423) or 475 mm / 19 inches (DDZ0426))	\$485.00

Footrest Type: (Tube / Plate)		
Item #:	Description:	List Price:
<input type="radio"/> DDZ1508	Footrest tube, Aluminum Rigid	\$0.00
<input type="radio"/> DDZ1570	Footplate, Carbon Fiber, Adjustable Angle	\$151.50

Footrest Cover:		
Item #:	Description:	List Price:
<input type="radio"/> DDZ1513	Footrest Cover (Only Possible with standard footrest tube (DDZ1508))	\$52.50

Side guards:		
Item #:	Description:	List Price:
<input type="radio"/> DDZ1424	Sideguards, Composite	\$97.50
<input type="radio"/> DDZ1425	Mudguards, Composite	\$180.00
<input type="radio"/> DDZ1401	Sideguards, Carbon	\$199.50
<input type="radio"/> DDZ1408	Mudguards, Carbon	\$285.00

Armrests:		
(Not possible with DDZ1424, DDZ1425 and DDZ1401, DDZ1408)		
Item #:	Description:	List Price:
<input type="radio"/> DDZ1416	Armrests, Height Adjustable, Short Armpad with composite sideguards, non-locking (Not possible with front seat to floor (SHh) less than 420 mm)	\$199.50
<input type="radio"/> DDZ1421	Armrests, Height Adjustable, Long Armpad with composite sideguards, non-locking (Not possible with front seat to floor (SHh) less than 420 mm)	\$199.50

Frame Colors:		
Item #:	Description:	List Price:
<input type="radio"/> DDZ0360	Attract Black	\$0.00
<input type="radio"/> DDZ0307	Attract Grey	\$0.00
<input type="radio"/> DDZ0308	Attract Blue	\$0.00
<input type="radio"/> DDZ0311	Attract Red	\$0.00

Front Wheels:		
Item #:	Description:	List Price:
<input type="radio"/> DDZ0801	4" Everyday, Black Rubber	\$60
<input type="radio"/> DDZ0860	4" Comfort, Black Rubber	\$0.00
<input type="radio"/> DDZ0810	5" Everyday, Black Rubber (Not possible w/ 90° front frame (DDZ0294))	\$60.00
<input type="radio"/> DDZ0863	5" Comfort, Black Rubber (Not possible w/ 90° front frame (DDZ0294))	\$0.00

Camber Axle Type:		
Item #:	Description:	List Price:
<input type="radio"/> DDZ0277	Axle, Standard Aluminum, Black	\$0.00

Rear Wheel Fixation:		
Item #:	Description:	List Price:
<input type="radio"/> DDZ0250	Standard Rear Wheel Position	\$0.00
<input type="radio"/> DDZ0251	Rear Wheel Extension	\$210.00

Position Of Axle:		
(Only with rear wheel extension (DDZ0251))		
Item #:	Description:	List Price:
<input type="radio"/> DDZ0263	1st Position from the front	\$0.00
<input type="radio"/> DDZ0264	2nd Position from the front	\$0.00
<input type="radio"/> DDZ0265	3rd Position from the front	\$0.00
<input type="radio"/> DDZ0266	4th Position from the front	\$0.00
<input type="radio"/> DDZ0267	5th Position from the front	\$0.00

Camber Angle:		
Item #:	Description:	List Price:
<input type="radio"/> DDZ0270	Camber, 0 degree	\$0.00
<input type="radio"/> DDZ0271	Camber, 3 degree	\$9.00

Invacare Corporation

This information is not intended to be, nor should it be considered billing or legal advice. Providers are responsible for determining the appropriate billing codes when submitting claims to the Medicare Program and should consult an attorney or other advisor to discuss specific situations in further detail.

All rights reserved. Trademarks are identified by the symbols ™ and ®. All trademarks are owned by or licensed to Invacare Corporation unless otherwise noted.

Specifications and prices are subject to change without notification. ©2017 Invacare Corporation Form # 17-046 REV B KPIPARO 02-15-2017

KÜSCHALL K-SERIES attract

Rear Wheel Type:		
Item #:	Description:	List Price:
<input type="radio"/> DDZ0921	24" Active Wheels (Complete Wheels: light tire 7.5 bar and grey aluminum handrims with 6 point fixation, 24 spokes and hub are black) (Not possible with spoke guards)	\$0.00
<input type="radio"/> DDZ0915	24" Kuschall Starec Wheels (colorless Starec hub, black rim, Cross-spoked)	\$0.00
<input type="radio"/> DDZ0908	24" High Performance Wheels (Starec hub, rim, and spokes are black)	\$525.00
<input type="radio"/> DDZ0906	24" Spinergy LXX (Hub, Rim and Spokes are black)	\$675.00

Handrims:		
(Not possible for Active wheels (DDZ0921))		
Item #:	Description:	List Price:
<input type="radio"/> DDZ1014	24" Supergrip (Long tabs with two holes, distance of 1.18" or 1.57", mounted at 30 1.18")	\$64.50
<input type="radio"/> DDZ1010	24" Steel Polished (Short tabs with only one hole at distance of 1.18")	\$195.00
<input type="radio"/> DDZ1004	24" Light Aluminum Grey (Short tabs with only one hole at distance of 1.18")	\$64.95
<input type="radio"/> DDZ1011	24" Surge LT (Short tabs with only one hole at distance of 1.18")	\$195.00

Alber Add-on Kit:		
<p>The Chair is assembled to receive TWION Power Assist rear wheels only and does NOT include TWION Power Assist Rear Wheels. TWION Power Assist Rear Wheels must be ordered separately from Alber USA. To order TWION Power Assist Rear Wheels call Alber USA at 888-426-8581 Alber antitippers need to be installed with this option.</p>		
Item #:	Description:	List Price:
<input type="radio"/> DDZ0916	Emotion Adaptation Plate (Two Alber Antitippers included)	\$825.00
<input type="radio"/> DD0926	Twion/Emotion Adaptation Plate (Two Alber Antitippers included)	\$825.00

Spoke Guards:		
Item #:	Description:	List Price:
<input type="radio"/> DDZ1200	24" Transparent (Not possible with Active (DDZ0921) or Spinergy LXX (DDZ0906) Wheels)	\$79.50

NOTE:
 The chair is assembled to receive TWION Power Assist Rear Wheels only and does NOT include TWION Power Assist Rear Wheels. TWION Power Assist Rear Wheels must be ordered separately from Alber USA. To order TWION Power Assist Rear Wheels call Alber USA at 888-426-8581.

Wheel Locks:		
Item #:	Description:	List Price:
<input type="radio"/> DDZ1300	Standard Wheel Locks, Bent Lever	\$0.00
<input type="radio"/> DDZ1302	Performance Wheel Locks	\$189.00
<input type="radio"/> DDZ1303	Active Wheel Locks	\$120.00

Rear Wheel Tire:		
(Not possible for Active wheels (DDZ0921))		
Item #:	Description:	List Price:
<input type="radio"/> DDZ1014	24" Schwalbe Rightrun black\Grey	\$64.50
<input type="radio"/> DDZ1010	24" Schwalbe Marathon Plus (SmartGuard puncture protected (5 mm thin layer of highly flexible special rubber))	\$195.00
<input type="radio"/> DDZ1004	24" Solid Tire, Profile, Grey (Only Available with Kuschall Starec Wheels (DDZ0915))	\$99.00
<input type="radio"/> DDZ1011	24" Schwalbe ONE (V-Guard puncture resistant (cut-resistant High-tech fiber))	\$195.00

Wheel Lock Lever Extension Lever:		
Item #:	Description:	List Price:
<input type="radio"/> DDZ1310	Extension Lever for Standard Wheel Lock (Only Possible with Standard Wheel Lock (DDZ1300) - Levers Bent)	\$75.00

Antitipper:		
(Not possible with Alber Add-on kit)		
Item #:	Description:	List Price:
<input type="radio"/> DDZ1702	Antitipper Tube, Right (Not possible with cane holder or tipping aid on the same side)	\$90.00
<input type="radio"/> DDZ1703	Antitipper Tube, Left (Not possible with cane holder or tipping aid on the same side)	\$90.00
<input type="radio"/> DDZ1704	Antitipper Tube, Both Sides (Not possible with cane holder or tipping aid)	\$180.00

Posture Belt:		
Item #:	Description:	List Price:
<input type="radio"/> DDZ1730	Posture Belt (Not possible with Transportation kit (DDZ1770))	\$27.75

KÜSCHALL K-SERIES *attract*

Passive Lights:		
Item #:	Description:	List Price:
<input type="radio"/> DDZ1710	Passive Lights, Assembled	\$37.50
<input type="radio"/> DDZ1711	Passive Lights, Enclosed	\$30.00

Frame Protectors:		
<i>(Two pieces)</i>		
Item #:	Description:	List Price:
<input type="radio"/> DDZ1739	Front frame protectors, "Kuschall" <i>(Not possible with UL < 400 mm)</i>	\$30.00

Tipping Aid:		
<i>(Not possible with ALBER add-on kit)</i>		
Item #:	Description:	List Price:
<input type="radio"/> DDZ1708	Tipping Aid, Right <i>(Not possible with cane holder or antitipper on the same side)</i>	\$67.50
<input type="radio"/> DDZ1709	Tipping Aid, Left <i>(Not possible with cane holder or antitipper on the same side)</i>	\$67.50
<input type="radio"/> DDZ1718	Tipping Aid, Both Sides <i>(Not possible with cane holder or antitipper)</i>	\$135.00

Cane Holder:		
<i>(Not possible with ALBER add-on kit)</i>		
Item #:	Description:	List Price:
<input type="radio"/> DDZ1706	Cane Holder, Right <i>(Not possible with cane holder or antitipper on the same side)</i>	\$43.50
<input type="radio"/> DDZ1707	Cane Holder, Left <i>(Not possible with cane holder or antitipper on the same side)</i>	\$43.50

Pump:		
Item #:	Description:	List Price:
<input type="radio"/> DDZ1715	Air Pump	\$10.50

Airman:		
Item #:	Description:	List Price:
<input type="radio"/> DDZ1716	AirMan	\$49.50

Kuschall Watch:		
<i>(Mounted in caster housing)</i>		
Item #:	Description:	List Price:
<input type="radio"/> DDZ1712	Kuschall Watch, Right Side	\$97.50
<input type="radio"/> DDZ1713	Kuschall Watch, Left Side	\$97.50

Tool Kit:		
Item #:	Description:	List Price:
<input type="radio"/> DDZ1717	Tool Kit	\$16.50

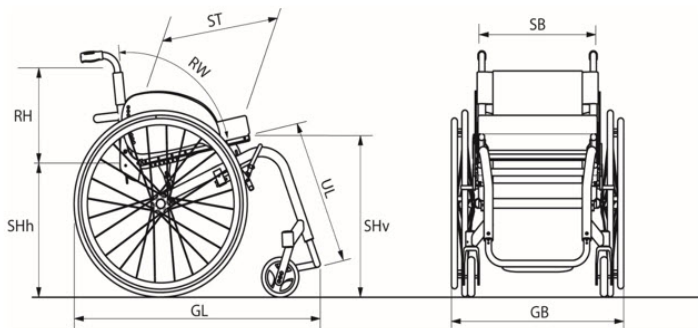
Wheel Bag:		
Item #:	Description:	List Price:
<input type="radio"/> DDZ1728	Wheel Bag: for 24", 25" or 26" rear wheels	\$160.00

Accessories:		
Item #:	Description:	List Price:
<input type="radio"/> 64V00-M	Kuschall T-Shirt black/grey M man	\$25.00
<input type="radio"/> 64V00-L	Kuschall T-Shirt black/grey L man	\$25.00
<input type="radio"/> 64V00-XL	Kuschall T-Shirt black/grey XL man	\$25.00
<input type="radio"/> 64V00-XXL	Kuschall T-Shirt black/grey XXL man	\$25.00
<input type="radio"/> 5V00L-S	Kuschall T-Shirt black/grey S woman	\$25.00
<input type="radio"/> 5V00L-M	Kuschall T-Shirt black/grey M woman	\$25.00
<input type="radio"/> 5V00L-L	Kuschall T-Shirt black/grey L woman	\$25.00
<input type="radio"/> 5V00L-XL	Kuschall T-Shirt black/grey XL woman	\$25.00
<input type="radio"/> F281-S	Kuschall Sweatshirt S	\$75.00
<input type="radio"/> F281-M	Kuschall Sweatshirt M	\$75.00
<input type="radio"/> F281-L	Kuschall Sweatshirt L	\$75.00
<input type="radio"/> F281-XL	Kuschall Sweatshirt XL	\$75.00
<input type="radio"/> OG504-S	Kuschall winter Jacket S	\$185.00
<input type="radio"/> OG504-M	Kuschall winter Jacket M	\$185.00
<input type="radio"/> OG504-L	Kuschall winter Jacket L	\$185.00
<input type="radio"/> OG504-XL	Kuschall winter Jacket XL	\$185.00
<input type="radio"/> OG504-XXL	Kuschall winter Jacket XXL	\$185.00
<input type="radio"/> 23174-S	Kuschall fleece Body warmer S	\$110.00
<input type="radio"/> 23174-M	Kuschall fleece Body warmer M	\$110.00
<input type="radio"/> 23174-L	Kuschall fleece Body warmer L	\$110.00
<input type="radio"/> 23174-XL	Kuschall fleece Body warmer XL	\$110.00
<input type="radio"/> 23174-XXL	Kuschall fleece Body warmer XXL	\$110.00
<input type="radio"/> 23174-XXX	Kuschall fleece Body warmer XXXL	\$110.00
<input type="radio"/> 628SET	Kuschall pen set	\$12.00
<input type="radio"/> PL-0155	Kuschall measuring tape	\$12.00

Patches:		
Item #:	Description:	List Price:
<input type="radio"/> DDZ0784	6" Army Patch	\$90.00
<input type="radio"/> DDZ0787	6" Navy Patch	\$90.00
<input type="radio"/> DDZ0786	6" Marine Patch	\$90.00
<input type="radio"/> DDZ0785	6" Air Force Patch	\$90.00

KÜSCHALL K-SERIES *attract*

Product Diagram:



Product Photo:



Invacare Corporation

This information is not intended to be, nor should it be considered billing or legal advice. Providers are responsible for determining the appropriate billing codes when submitting claims to the Medicare Program and should consult an attorney or other advisor to discuss specific situations in further detail.

All rights reserved. Trademarks are identified by the symbols ™ and ®. All trademarks are owned by or licensed to Invacare Corporation unless otherwise noted.

Specifications and prices are subject to change without notification. ©2017 Invacare Corporation Form # 17-046 REV B KPIPARO 02-15-2017