

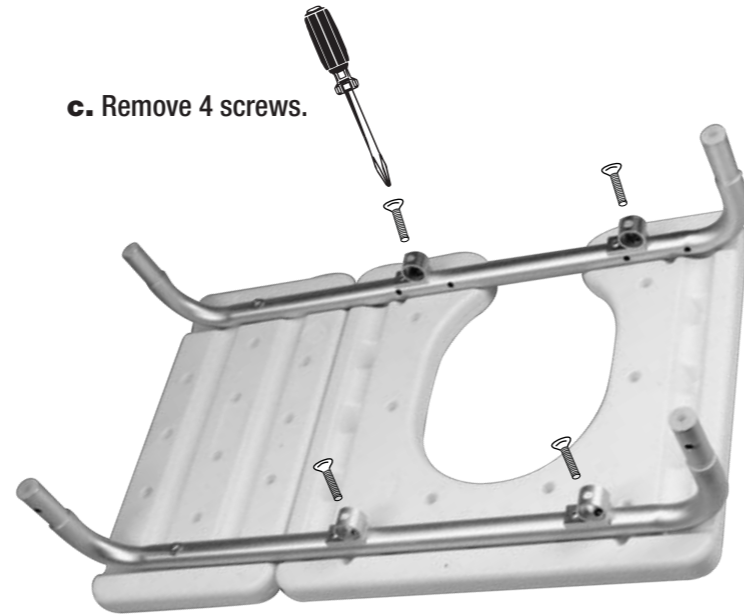
# OUTSIDE

## TO SWITCH COMMODE SEAT DIRECTION:

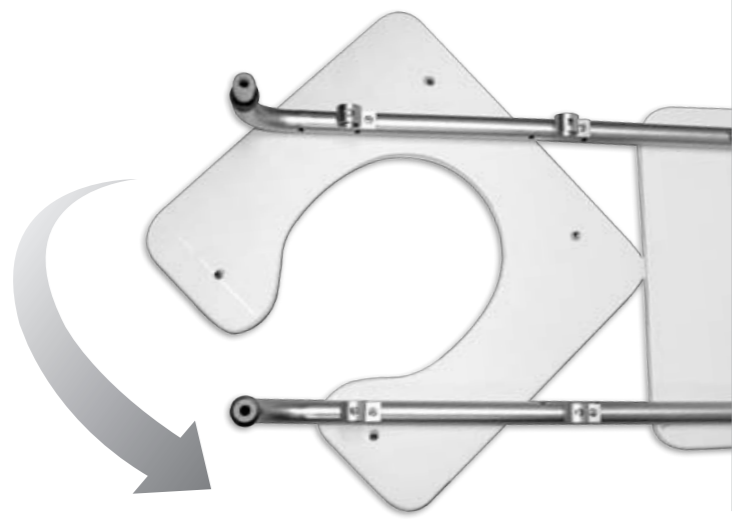
- a. Remove commode bucket holder frame.
- b. Remove seat back (L-Bars).



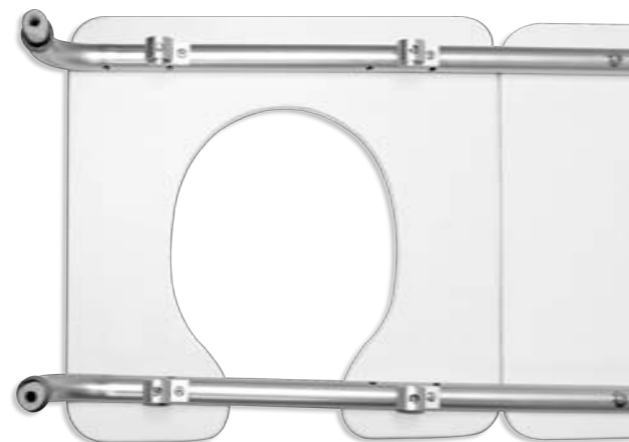
- c. Remove 4 screws.



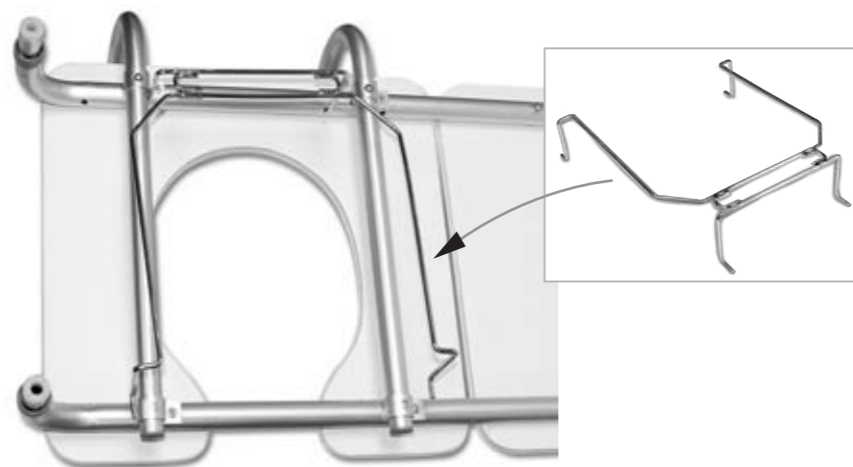
- d. Rotate seat.



- e. Re-Attach 4 screws.



- f. Replace seat back noting direction.
- g. Replace commode bucket holder frame

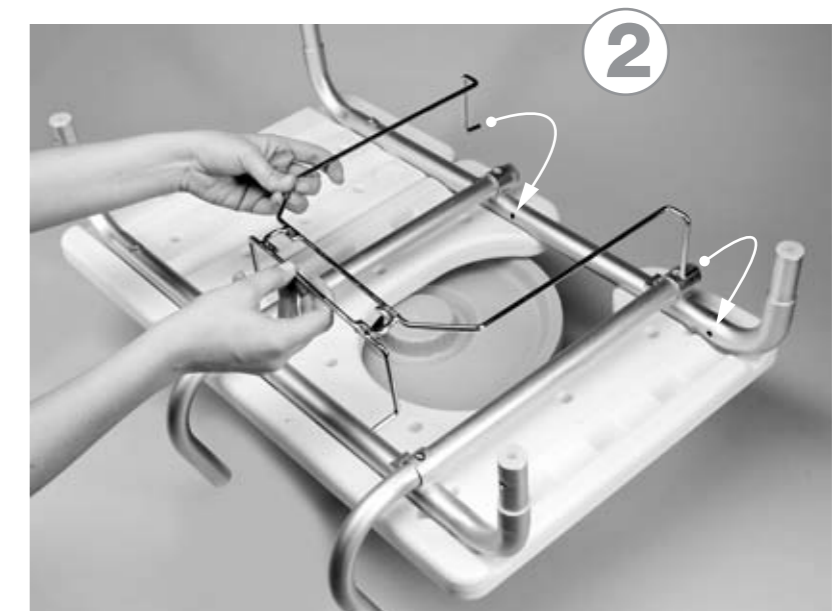
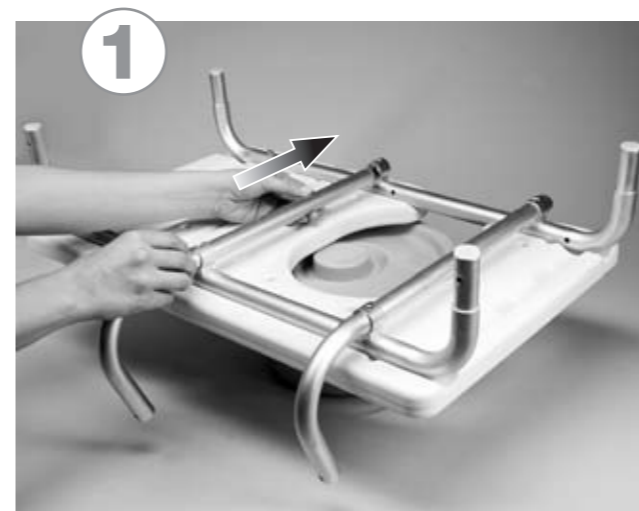


## INSTALLATION

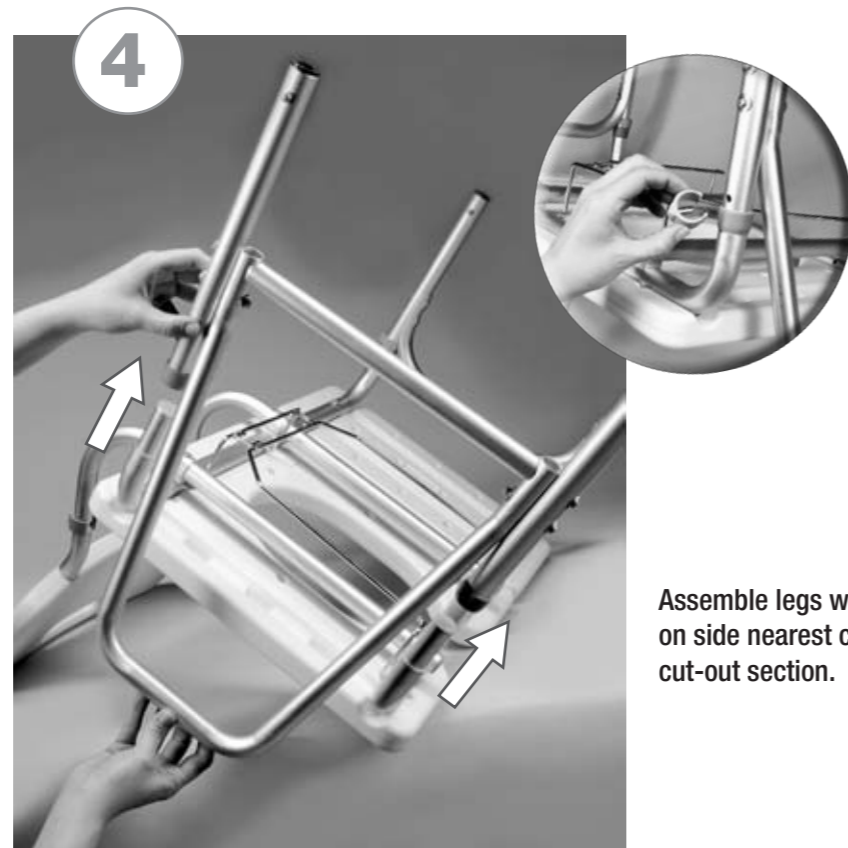


**NOTE: BEFORE ASSEMBLY, SEE BACK PAGE TO SWITCH FOR RIGHT OR LEFT HAND USE.**

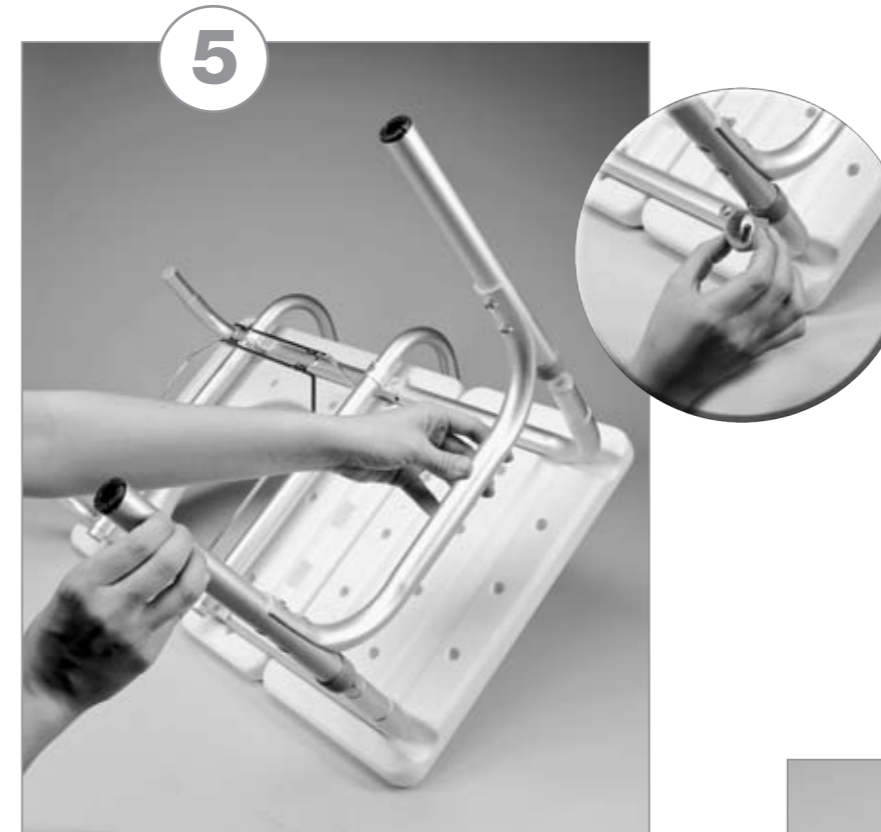
Suggest installing near the bathtub to determine seat back and handle bar left or right placement.




# INSIDE



Assemble legs with armrest on side nearest commode cut-out section.



 Clips must be secured on all 4 legs.

Assemble legs without armrest on side away from commode cut-out section.



Slide leg attachments with tips onto bottom of all four legs.  
Make sure pin has clicked into holes and that all legs are level.



Slide in commode bucket.

**Carex Health Brands**  
PO Box 2526 • Sioux Falls, SD 57101-2526  
Phone: 800-328-2935 • Fax: 888-616-4297  
www.carex.com

 **Carex Health Brands**

All Rights Reserved  
© 2009 Carex Health Brands  
40-B152-11\_00