

JAY®

FUSION CUSHION

ROHO® DRY FLOATATION® INSERT

IMPORTANT CONSUMER INFORMATION

NOTICE: This manual contains important instructions that must be passed on to the user of this product. Please do not remove this manual before delivery to the end user.

SUPPLIER: This manual must be given to the user of this product.

USER: Before using this product, read this entire manual and save for future reference.

Owner's Manual
Supplement

ALMOHADILLA ROHO® DRY FLOATATION®

INFORMACIÓN IMPORTANTE PARA EL CONSUMIDOR

AVISO: Este manual contiene instrucciones importantes que deben ser entregadas al usuario de este producto. Por favor no retire este manual antes de la entrega al usuario.

DISTRIBUIDOR: Este manual debe ser entregado al usuario de este producto.

USUARIO: Antes de usar este producto, lea este manual en su totalidad y guárdelo para futura referencia.

Manual
Complementario

INSERT ROHO® DRY FLOATATION®

INFORMATIONS IMPORTANTES DESTINÉES AU CONSOMMATEUR

AVIS : Ce manuel contient des instructions importantes qui doivent être communiquées à l'utilisateur de ce produit. Prière de ne pas le retirer avant livraison.

FOURNISSEUR : Ce manuel doit être remis à l'utilisateur de ce produit.

UTILISATEUR : Avant d'utiliser ce produit, lisez entièrement ce manuel et conservez-le pour référence ultérieure.

Supplément au manuel
de l'utilisateur



NOTICE: This owner's manual is a supplement to the JAY Fusion cushion Owner's Manual. The JAY Fusion cushion owner's manual should be referenced in conjunction with this supplement prior to the installation, set-up or use of this product.

NOTICE: This supplement contains important instructions that must be passed on to the user of this product. Please do not remove this supplement before delivery to the end-user.

SUPPLIER: This supplement must be given to the user of this product

USER: Before using this product, read this supplement, and the JAY Fusion cushion manual. Save these instructions for future reference.

GENERAL WARNINGS

WARNING

CHECK INFLATION AT LEAST ONCE A DAY!

WARNING

UNDER-INFLATION: DO NOT use an under-inflated cushion. Using a cushion that is under-inflated reduces or eliminates the cushion's benefits, increasing risk to the skin and other soft tissue. If your cushion appears under-inflated or does not appear to be holding air, check to make sure that all valve(s) are closed by turning the inflation valve(s) clockwise. If your cushion is still not holding air, contact your clinical caregiver and/or supplier immediately.

WARNING

OVER-INFLATION: DO NOT use an over-inflated cushion. Using an over-inflated cushion will not allow you to sink into the cushion and will reduce or eliminate the cushion's benefits increasing risk to skin and other soft tissue.

WARNING

CUSHION AND COVER ORIENTATION: Product must be used with the air cells facing up.

WARNING

PRESSURE: Changes in altitude may require adjustment to your cushion. Check your cushion when changing altitude of 1,000 feet (300 meters) or greater.

WARNING

PUNCTURE: Keep your cushion away from sharp objects which may puncture the air cells and cause it to deflate.

WARNING

HEAT/FLAME: DO NOT expose your cushion to high heat, open flames, or hot ashes.

WARNING

CLIMATE: If a cushion has been in temperatures less than 32°F / 0°C and experiences unusual stiffness, allow the cushion to warm to room temperature, then open air valve. Roll up the cushion and then unroll it until the neoprene is soft and pliable again. Then repeat proper adjustment instructions before using.

WARNING

DO NOT use on top or in conjunction with another cushioning product other than the JAY Fusion Cushion with which it was supplied.

WARNING

OBSTRUCTIONS: DO NOT place any obstructions between the user and the cushion, as it will reduce product effectiveness.

WARNING

HANDLING: DO NOT use any valve as a handle for carrying or pulling the cushion.

WARNING

PRODUCT USE: DO NOT use your cushion as a water floatation device (e.g., a Life Preserver).

CAUTION- SOLUTIONS: DO NOT ALLOW OIL-BASED LOTIONS OR LANOLIN TO COME IN CONTACT WITH YOUR CUSHION, AS THEY MAY DEGRADE THE MATERIAL.

CAUTION- OZONE GENERATORS: THE US ENVIRONMENTAL PROTECTION AGENCY, HEALTH CANADA AND OTHER GOVERNMENT AGENCIES HAVE ISSUED WARNINGS REGARDING THE USE OF OZONE GENERATORS. PROLONGED EXPOSURE TO OZONE WILL DEGRADE RUBBER, FABRICS AND OTHER MATERIALS USED IN THE MANUFACTURE OF THE ROHO PRODUCT AND MAY AFFECT THE PERFORMANCE OF THE PRODUCT AND VOID THE PRODUCT WARRANTY.

CAUTION- DO NOT USE A PUMP OR REPAIR KIT OTHER THAN THOSE PROVIDED BY EITHER ROHO, INC. OR SUNRISE MEDICAL. DOING SO MAY VOID YOUR PRODUCT'S WARRANTY.

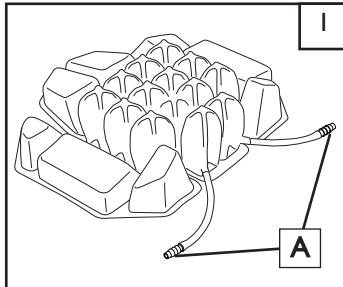
NOTICE: Please reference the JAY Fusion Cushion Owner's Manual for set-up and adjustment of the cushion. The following instructions pertain to the installation and adjustment of the ROHO® DRY FLOATATION® Insert only.

A. INSTALLATION OF THE INFLATION TUBE(S)

Some configurations of the JAY Fusion Cushion with the ROHO® DRY FLOATATION® insert come with the inflation tube(s) uninstalled. If this is the case, you will have received the following parts:

1. ROHO® DRY FLOATATION® insert
2. 1 or 2 lengths of tube with one end terminated by an inflation valve, the other end open.

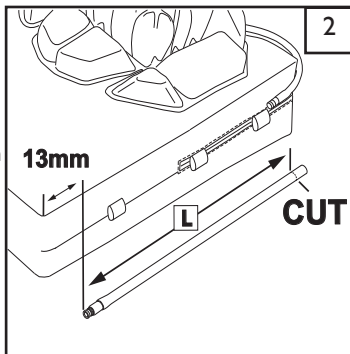
A second tube will be included if the air insert was a dual chamber insert. A coupling connector (A) will have already been installed in the truncated inflation tubes.



- Figure 1 shows a Dual chambered ROHO® DRY FLOATATION® insert ready to have the tube length attached by following the steps below.

To install the inflation tube(s)

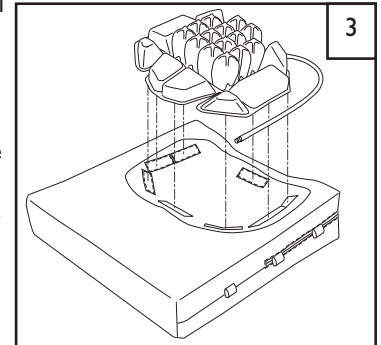
1. Install the ROHO® DRY FLOATATION® insert into the JAY Fusion foam base with inner cover as outlined in the instructions below.



2. Measure the length of inflation tube required for your specific cushion size (Figure 2). Do this by threading the tube through the loops on the inner cover to the front edge. Measure about 1/2" (13mm) from the front edge of the cushion, and run it the distance (L) until the open end matches up with the tube valve coming out of the Insert.
3. Cut the length of inflation tube as measured using a sharp pair of scissors.
4. Insert the coupling connector into the cut length of each inflation tube,

B. INSTALLATION OF THE ROHO® DRY FLOATATION® INSERT INTO CUSHION

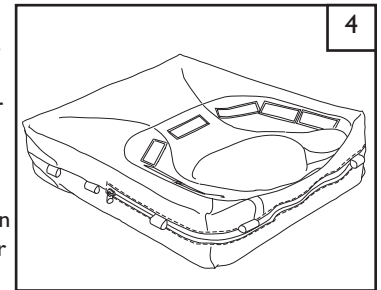
1. With the outer cover removed from the JAY Fusion foam base, install the ROHO® DRY FLOATATION® insert into the Well. Ensure that the ROHO® DRY FLOATATION® insert is aligned with the well



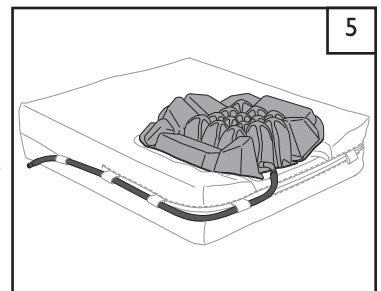
and that the inflation tubes are to the rear of the cushion. (See Figure 3). Ensure the Velcro attached to the ROHO® DRY FLOATATION® insert is aligned with the matching Velcro adhered to the inner cover.

2. With the ROHO® DRY FLOATATION® insert installed, the inflation tube(s) need to be secured to the inner cover.

Your ROHO® DRY FLOATATION® insert may have one or two inflation tubes depending if it is a single chamber insert or a dual chamber insert. Use the fabric loops on either side of the inner cover to route the inflation tube(s). (Figures 4 and 5)



3. Thread the inflation tube through the loops starting at the rear of the inner cover and inserting the tube through each loop, working your way around to the front of the product.



4. If the ROHO® DRY FLOATATION® insert is dual chambered, do the same for the second inflation tube on the opposite side.

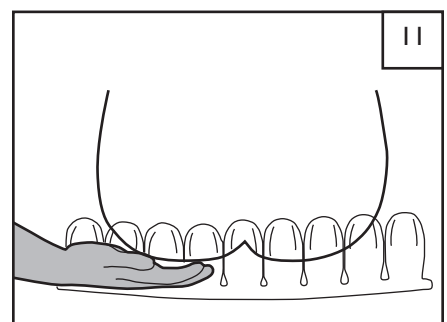
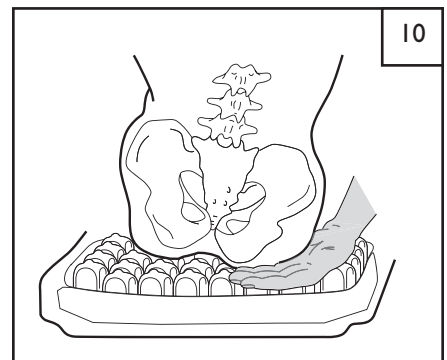
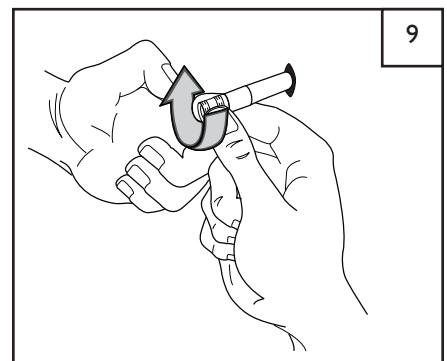
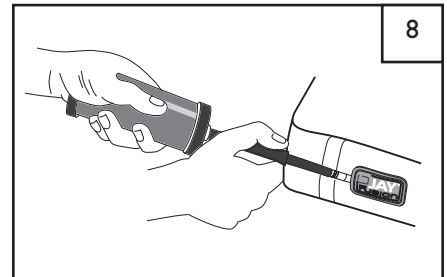
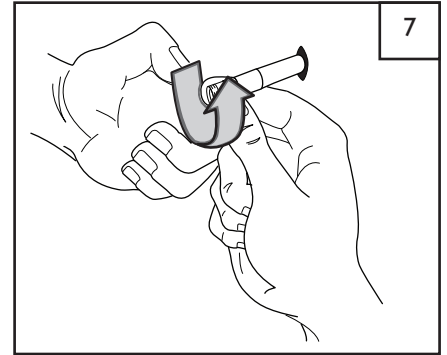
5. Re-install the outer cover by sliding it over the base and inner cover assembly. It is best to hold the inflation valve in place with your hand as you slide the cover over the assembly.

6. Insert the valve through the slot in the outer cover behind the JAY Fusion logo. The valve is intended to protrude through the slot and be secured by the side band on the JAY Fusion cover. (Figure 6)



A. ADJUSTMENT

1. Open the air valve by twisting it counterclockwise. If your cushion comes with two valves, open both valves using the same technique. (Figure 7)
2. Attach the rubber hose on the ROHO® Pump to the end of the valve. Inflate the cushion insert with the pump until just before the cushion begins to arch. (Figure 8)
3. Remove the pump hose from the valve and close it by twisting it clockwise. (Figure 9)
4. Sit on the JAY Fusion Cushion, with the ROHO® DRY FLOATATION® insert installed, in your normal sitting position with armrests and footrests properly positioned.
5. Slide your hand beneath your buttocks to locate your lowest bony prominence, usually the ischial tuberosities. If necessary, your clinician or caregiver should assist you. (Figure 10)
6. Leaving one hand in place beneath the lowest bony prominence, use the other hand to open the valve. As air is released from the cushion insert, you will begin to sink into it. When your fingertips touch its base, close the valve. Approximately 1/2" (13 mm) of air should be between your lowest bony prominence and the base of the cushion. (Figure 11)



B. IMPORTANT ADJUSTMENT NOTES

- Your JAY Fusion Cushion with ROHO® DRY FLOATATION® insert may have been ordered with two valves, one on each side of the cushion. If you have two valves, steps 1-6 above should be repeated for each valve. Two valves indicate that your cushion insert is divided in the middle. You, your clinician or caregiver should locate the lowest bony prominence on the same side as the air valve used to adjust the cushion.
- You, and your clinicians or caregivers should check the cushion insert daily to ensure that you have not bottomed out (ie. lost air and are now sitting on the base of the cushion). If you have bottomed out, the protective value of the cushion insert is lost. You should also check to be sure the cushion insert is not over-filled with air. The cushion insert will work best with approximately 1/2" (13mm) of air between you and its base.
- The ROHO® DRY FLOATATION® insert may be affected by changes in altitude. You may have to repeat steps 1-6 above as you change altitudes.

A. CLEANING AND DISINFECTING YOUR ROHO® DRY FLOATATION® INSERT

Cleaning and disinfecting are two separate processes. Cleaning must precede disinfection.

CLEANING THE ROHO® DRY FLOATATION® INSERT

To clean the ROHO® DRY FLOATATION® insert, gently pull it out of the recess in the foam base, taking care to gently pull the valve through the foam. Deflate the cushion, close the valve(s) and place in a large sink. Gently scrub the air cells and the spaces between them with a soft plastic bristle brush, sponge or wash-cloth. Liquid dishwashing or laundry detergent or other general-purpose cleaning product is suggested. For institutional cleaning, a general housekeeping disinfectant cleaner may be used.

DISINFECTING THE ROHO® DRY FLOATATION® INSERT

To disinfect the ROHO® DRY FLOATATION® Insert, use a germicidal product that meets infection control needs. A disinfectant with tuberculocidal properties is recommended. Follow the manufacturer's dilution directions. For home disinfection, use solutions of approximately 1/2 cup liquid household bleach per quart of water (125 ml bleach to 1 liter of water). Keep the clean cushion wet with bleach solution for 10 minutes. Rinse thoroughly and dry.

WARNING

Disinfectants are not effective on porous surfaces, such as foam, if the cushion becomes soiled or contaminated. DO NOT use with multiple users.

CAUTION— DO NOT USE OIL-BASED LOTIONS OR LANOLIN ON YOUR CUSHION AS THEY MAY COMPROMISE THE INTEGRITY OF THE NEOPRENE RUBBER.

B. REPAIRS

Each JAY Fusion Cushion with a ROHO® DRY FLOATATION® insert is shipped complete with a repair kit and instructions for minor repairs. The following information can be used if repair instructions have been lost or misplaced.

IF A LEAK OCCURS:

1. Place your cushion cells down and over-inflate until all four corners touch.
2. Immerse the over-inflated cushion in water to locate the leak.
3. Once the leak has been located, mark the leak by inserting a toothpick into the hole.
4. Allow the cushion to dry thoroughly.
5. Remove the toothpick, and clean the area around the hole with the alcohol wipe provided. Let the surface dry.
6. Peel the backing from the patch provided, and centering the patch, place it over the hole.
7. Press the patch down firmly until a good seal is achieved.
8. The cushion is now ready for use. Adjust the cushion for proper inflation following the instructions in this manual.

Although patches do not change the performance of the cushion, they should be monitored periodically to ensure effectiveness in addressing the leak. If the patch is not successful in addressing the problem, or if more extensive damage is present, please contact your supplier immediately.

Replacing Valves

1. Firmly grip the rubber valve stem and remove the old inflation valve by using pliers.

CAUTION— DO NOT REMOVE AN INFLATION VALVE BY HOLDING THE CUSHION AND PULLING THE VALVE, DOING SO MAY TEAR THE CUSHION.

2. Moisten the ribbed end of the replacement valve and insert it into the valve stem until the rubber is snug to the body of the valve.

- AVISO:** Este manual del usuario complementa el manual del usuario del cojín JAY Fusion. Se debe leer el manual del usuario del cojín JAY Fusion en combinación con este complemento antes de la instalación, preparación o uso de este producto.
- AVISO:** Este complemento contiene instrucciones importantes que se deben proporcionar al usuario del producto. No descarte este complemento antes de la entrega al usuario final.
- DISTRIBUIDOR:** Este complemento deberá ser entregado al usuario del producto.
- USARIO:** Antes de usar el producto, lea este complemento y el manual del cojín JAY Fusion. Conserve estas instrucciones para referencia futura.

ADVERTENCIAS GENERALES

ADVERTENCIA

REVISE LA PRESIÓN DE INFLADO POR LO MENOS UNA VEZ POR DÍA.

ADVERTENCIA

COJÍN SUBINFLADO: NO use un cojín subinflado, ya que esto reducirá o eliminará los beneficios del cojín y aumentará el riesgo para la piel y otros tejidos blandos. Si el cojín parece estar subinflado o no retener el aire, revíselo para asegurarse de que todas las válvulas estén cerradas; girándolas en sentido horario. Si el cojín sigue sin retener el aire, comuníquese con su médico o profesional de la salud de inmediato.

ADVERTENCIA

INFLACIÓN EXCESIVA: NO use un cojín que esté excesivamente inflado. El uso de un cojín excesivamente inflado no le permitirá hundirse en el cojín, lo cual reducirá o eliminará los beneficios del cojín, además de aumentar el riesgo para la piel y otros tejidos blandos.

ADVERTENCIA

ORIENTACIÓN DEL COJÍN Y LA FUNDA: El producto se debe usar con las celdas de aire hacia arriba.

ADVERTENCIA

PRESIÓN: El cojín puede necesitar ajustes si se somete a cambios de altitud. Revise el cojín cuando haya cambios de altitud de 300 metros (1000 pies) o más.

ADVERTENCIA

PINCHADURA: Mantenga el cojín alejado de objetos filosos que puedan pinchar las celdas de aire y desinflarlo.

ADVERTENCIA

CALOR / FUEGO: NO exponga el cojín al calor intenso, el fuego directo o cenizas calientes.

ADVERTENCIA

CLIMA: Si un cojín se somete a temperaturas inferiores a 0 °C (32 °F) y presenta una rigidez inusual, permítale ubicarse a temperatura ambiente y después abra la válvula de aire. Enrolle el cojín y luego desenróllelo hasta que el neopreno vuelva a estar suave y maleable. A continuación, repita las instrucciones de ajuste apropiadas antes de usar el producto.

ADVERTENCIA

NO use el cojín sobre o en combinación de otra clase de almohadón que no sea el cojín Fusion con el que se entregó.

ADVERTENCIA

OBSTRUCCIONES: NO coloque ninguna obstrucción entre el usuario y el cojín; ya que esto disminuirá la eficacia del producto.

ADVERTENCIA

MANIPULACIÓN: NO utilice ninguna válvula como asa para transportar o jalar el cojín.

ADVERTENCIA

USO DEL PRODUCTO: NO utilice el cojín como dispositivo de flotación en el agua (por ejemplo, como salvavidas).

PRECAUCIÓN- SOLUCIONES: NO PERMITA QUE LANOLINA O LOCIONES A BASE DE ACEITE ENTREN EN CONTACTO CON EL COJÍN PORQUE PUEDEN DEGRADAR EL MATERIAL.

PRECAUCIÓN- GENERADORES DE OZONO: LA AGENCIA DE PROTECCIÓN AMBIENTAL DE EE. UU., HEALTH CANADA Y OTRAS AGENCIAS GUBERNAMENTALES HAN EMITIDO ADVERTENCIAS RESPECTO DEL USO DE GENERADORES DE OZONO. LA EXPOSICIÓN PROLONGADA AL OZONO DEGRADA EL HULE, LAS TELAS Y OTROS MATERIALES USADOS EN LA FABRICACIÓN DEL PRODUCTO ROHO Y PUEDE AFECTAR EL DESEMPEÑO DEL PRODUCTO Y ANULAR SU GARANTÍA.

PRECAUCIÓN- NO USE NINGUNA BOMBA NI MATERIALES DE REPARACIÓN QUE NO SEAN LOS PROVISTOS POR ROHO INC. O SUNRISE MEDICAL, YA QUE ESTO PODRÍA ANULAR LA GARANTÍA DEL PRODUCTO.

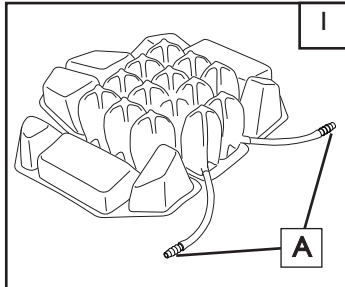
AVISO: Consulte el manual del usuario del cojín JAY Fusion para instalar y ajustar el cojín. Las siguientes instrucciones corresponden únicamente a la instalación y ajuste del inserto DRY FLOATATION® de ROHO®.

A. INSTALACIÓN DE LOS TUBOS DE INFLACIÓN

Algunas presentaciones del cojín JAY Fusion con el inserto DRY FLOATATION® de ROHO® se suministran con los tubos de inflación sin instalar. En dicho caso, usted debe haber recibido las siguientes piezas:

1. Inserto DRY FLOATATION® de ROHO®
2. Uno o dos tubos con una válvula de inflación en un extremo y el otro extremo abierto.

Se incluirá un segundo tubo si el inserto de aire es un inserto de cámara doble. Un conector de acoplamiento (A) vendrá instalado en los tubos de inflación truncados.

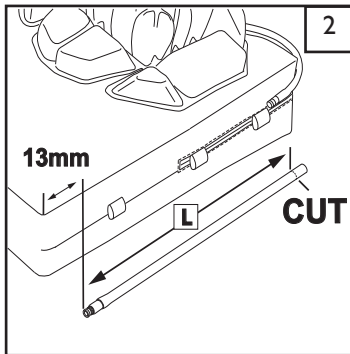


NOTA- La Figura 1 muestra un inserto DRY FLOATATION® de ROHO® de cámara doble listo para conectar el tubo siguiendo los pasos a continuación.

Para instalar los tubos de inflación:

1. Instale el inserto DRY FLOATATION® de ROHO® en la base de espuma Fusion con la funda interior como se detalla en las instrucciones a continuación.

2. Mida la longitud del tubo de inflación requerida para el tamaño específico de su cojín (Figura 2). Para hacer esto, pase el tubo a través de las presillas que se encuentran en la funda interna en el borde delantero. Mida alrededor de 13 mm (1/2 pulg.) desde el borde delantero del cojín y recorra la distancia (L) hasta que el extremo abierto coincida con la válvula del tubo que sobresale del inserto.

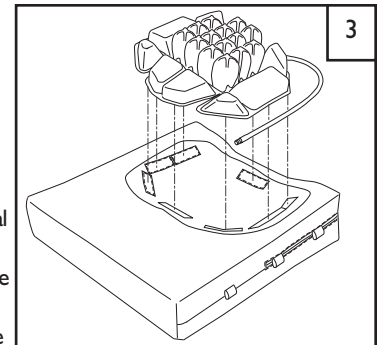


3. Corte la longitud del tubo de inflación según lo medido utilizando una tijera afilada.
4. Introduzca el conector de acoplamiento en el corte de cada tubo de inflación.

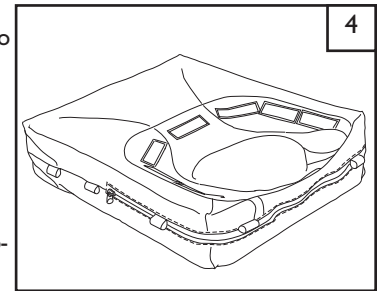
B. INSTALACIÓN DEL INSERTO DRY FLOATATION® DE ROHO® EN EL JAY COJÍN

1. Retire la funda exterior de la base de espuma JAY Fusion e instale el inserto DRY FLOATATION® de ROHO® en el hueco.

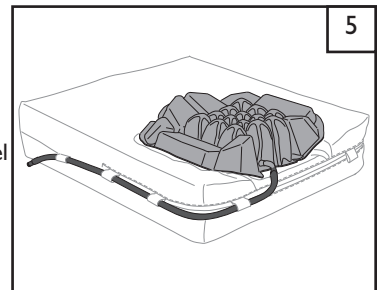
Cerciórese de que el inserto DRY FLOATATION® de ROHO® esté alineado con el hueco y que los tubos de inflación queden en la parte posterior del cojín. (Vea la Figura 3). El velcro fijado al inserto DRY FLOATATION® de ROHO® debe estar alineado con el velcro® correspondiente que está adherido a la funda interior.



2. Con el inserto DRY FLOATATION® de ROHO® instalado, se deben fijar los tubos de inflación a la funda interior. Su inserto DRY FLOATATION® de ROHO® puede tener uno o dos tubos de inflación, según si el inserto tiene una cámara individual o una cámara doble. Utilice las presillas de tela en cualquiera de los lados de la funda interior para colocar los tubos de inflación. (Figuras 4 y 5))



3. Pase el tubo de inflación a través de las presillas comenzando en la parte posterior de la funda interior e introduciendo el tubo en cada presilla hasta llegar a la parte delantera del producto.



4. Si el inserto DRY FLOATATION® de ROHO® tiene una cámara doble, realice el mismo procedimiento para el Segundo tubo de inflación en el lado opuesto.

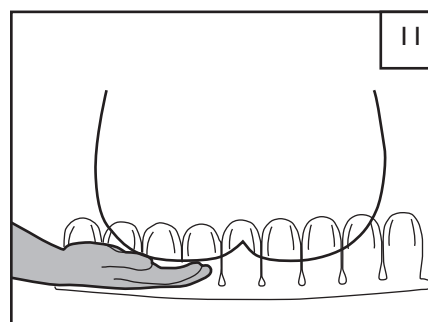
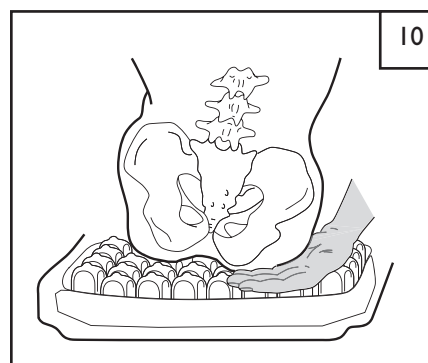
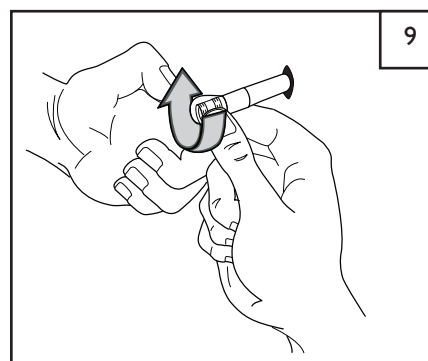
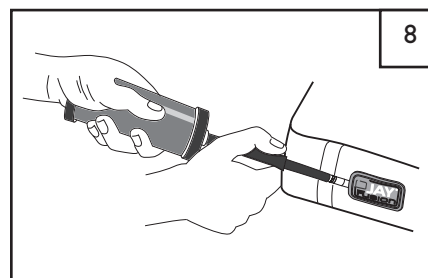
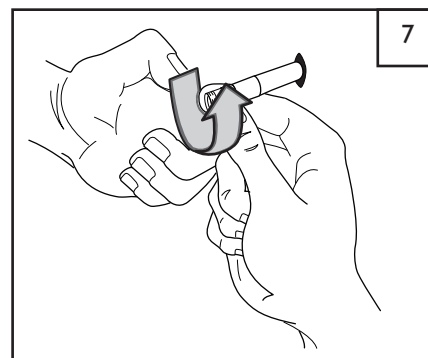
5. Vuelva a colocar la funda exterior deslizándola sobre el conjunto de la base y la funda interior. Se recomienda sostener la válvula de inflación en su lugar con la mano a medida que desliza la funda sobre el conjunto con la otra mano.

6. Introduzca la válvula en la ranura que se encuentra en la funda exterior, detrás del logotipo de JAY Fusion. La válvula debe asomarse por la ranura y sujetarse mediante la banda lateral en la funda JAY Fusion. (Figura 6)



A. AJUSTE

1. Gire la válvula de aire en sentido antihorario para abrirla. Si su cojín trae dos válvulas, abra ambas válvulas de la misma forma. (Figura 7).
2. Conecte la manguera de goma de la bomba ROHO® al extremo de la válvula. Infle el inserto del cojín con la bomba hasta que el cojín apenas comience a arquearse. (Figura 8)
3. Extraiga la manguera de la bomba de la válvula y gire la válvula en sentido horario para cerrarla. (Figura 9).
4. Siéntese sobre el cojín JAY Fusion, con el inserto DRY FLOATATION® de ROHO® instalado, en la posición habitual que adopta al sentarse, con los reposabrazos y los reposapiés en la ubicación correspondiente.
5. Deslice la mano debajo de los glúteos para encontrar la prominencia ósea más baja, por lo general, las tuberosidades isquiáticas. Si es necesario, su médico o profesional de la salud deberá asistirlo. (Figura 10).
6. Con una mano debajo de la prominencia ósea más baja, use la otra para abrir la válvula. A medida que sale el aire del inserto del cojín, usted empezará a hundirse en él. Cuando las puntas de los dedos toquen la base, cierre la válvula. Debe haber aproximadamente 13 mm (1/2 pulg.) de aire entre la prominencia ósea más baja y la base del cojín. (Figura 11).



B. NOTAS DE AJUSTE IMPORTANTES

- Es posible que el cojín JAY Fusion con el inserto DRY FLOATATION® de ROHO® se haya ordenado con dos válvulas, una de cada lado del cojín. Si tiene dos válvulas, se deben repetir los pasos 1 a 6 para cada válvula. Dos válvulas indican que el inserto de su cojín está dividido en el medio. Usted, su médico o profesional de la salud deberán encontrar la prominencia ósea más baja del mismo lado que la válvula de aire usada para ajustar el cojín.
- Usted, su médico o profesional de la salud deberán revisar el inserto del cojín diariamente para garantizar que los glúteos no toquen la base (es decir, que no haya una pérdida de aire y no se encuentre sentado sobre la base del cojín). Si esto sucede, se perderá el valor de protección del inserto del cojín. También debe asegurarse de que el inserto del cojín no se llene excesivamente con aire. El inserto del cojín funcionará mejor con aproximadamente 13 mm (1/2 pulg.) de aire entre usted y la base.
- El inserto DRY FLOATATION® de ROHO® puede verse afectado por los cambios de altitud. Es posible que deba repetir los pasos 1 a 6 si hay cambios de altitud.

A. LIMPIEZA Y DESINFECCIÓN DEL INSERTO DRY FLOATATION® DE ROHO®

La limpieza y la desinfección son dos procesos distintos. La limpieza debe preceder a la desinfección.

LIMPIEZA DEL INSERTO DRY FLOATATION® de ROHO®

Para limpiar el inserto DRY FLOATATION® de ROHO®, extraígallo con suavidad del hueco en la base de espuma, deslizando la válvula a través de la espuma con sumo cuidado. Desinfele el cojín, cierre la(s) válvula(s) y colóquelo en un fregadero grande. Frote suavemente las celdas de aire y los espacios entre ellas con una esponja, un paño o un cepillo de cerdas plásticas suaves. Se recomienda utilizar algún detergente para lavar la vajilla o la ropa o cualquier otro producto de limpieza multiuso. Para la limpieza institucional, se puede utilizar un limpiador desinfectante para las tareas domésticas en general.

DESINFECCIÓN DEL INSERTO DRY FLOATATION® de ROHO®

Para desinfectar el inserto DRY FLOATATION® de ROHO®, utilice un producto germicida que satisfaga las necesidades de control de infecciones. Se recomienda un desinfectante con propiedades tuberculocidas. Siga las instrucciones de dilución del fabricante. Para la desinfección hogareña, utilice una solución de aproximadamente 1/2 taza de blanqueador doméstico líquido (125 ml) en 1 litro de agua (1 cuarto de galón). Mantenga el cojín limpio sumergido en la solución del blanqueador durante 10 minutos. Enjuague bien y seque.

ADVERTENCIA

Los desinfectantes no son eficaces en superficies porosas, como la espuma, en caso de que el cojín se ensucie o se contamine. NO debe ser utilizado por varios usuarios.

PRECAUCIÓN – NO UTILICE LANOLINA NI LOCIONES A BASE DE ACEITE EN EL COJÍN PORQUE PUEDEN AFECTAR LA INTEGRIDAD DEL HULE DE NEOPRENO.

B. REPARACIONES

Cada cojín JAY Fusion con un inserto DRY FLOATATION® de ROHO® se envía completo con un equipo de reparación e instrucciones para reparaciones sencillas. En caso de pérdida o extravío de las instrucciones de reparación, se puede utilizar la siguiente información.

EN CASO DE UNA FUGA:

1. Coloque el cojín con las celdas hacia abajo e infle en exceso hasta que se toquen las cuatro esquinas.
2. Sumerja el cojín inflado en exceso en agua para localizar la fuga.
3. Una vez que haya descubierto la fuga, introduzca un palillo en el orificio para señalar su ubicación.
4. Deje secar el cojín por completo.
5. Retire el palillo y limpie el sector alrededor del orificio con el paño de alcohol provisto. Deje secar la superficie.
6. Retire el material de fondo del parche provisto y colóquelo centrado sobre el orificio. Presione el parche con firmeza hasta lograr un sellado hermético.
7. Presione el parche con firmeza hasta lograr un sellado hermético.
8. Ahora el cojín está listo para usar. Ajuste la inflación del cojín de manera adecuada siguiendo las instrucciones de este manual.

Aunque los parches no cambian el desempeño del cojín, se deben examinar periódicamente para garantizar la eficacia de la reparación de la fuga. Si el parche no es apto para resolver el problema o si se presentan más daños, comuníquese con su distribuidor de inmediato.

Reemplazo de las válvulas

1. Tome con firmeza el vástago de la válvula de hule y utilice unas pinzas para retirar la válvula de inflación a ser reemplazada.

PRECAUCIÓN – PARA RETIRAR LA VÁLVULA DE INFLACIÓN, NO SOSTENGA EL COJÍN Y JALE LA VÁLVULA; YA QUE PUEDE RASGAR EL COJÍN.

2. Humedezca el extremo estriado de la válvula de repuesto e introdúzcalo en el vástago de válvula hasta que el hule quede ajustado al cuerpo de la válvula.

AVIS: Ce manuel est un supplément au manuel de l'utilisateur du coussin JAY Fusion. Consultez ces deux documents avant d'installer ou d'utiliser ce produit.

AVIS: Ce supplément contient des instructions importantes qui doivent être communiquées à l'utilisateur de ce produit. Prière de ne pas retirer ce supplément avant la livraison du produit à l'utilisateur final.

FOURNISSEUR: Ce supplément doit être remis à l'utilisateur de ce produit.

UTILISATEUR: Avant d'utiliser ce produit, lisez ce supplément ainsi que le manuel du coussin JAY Fusion. Conservez ces instructions pour référence ultérieure.

AVERTISSEMENTS D'ORDRE GÉNÉRAL

AVERTISSEMENT

VÉRIFIEZ LE GONFLAGE DU COUSSIN AU MOINS UNE FOIS PAR JOUR!

AVERTISSEMENT

COUSSIN INSUFFISAMMENT GONFLÉ : Veillez à NE PAS utiliser de coussin insuffisamment gonflé sous peine de réduire ou même d'annuler les bienfaits apportés par le coussin et d'augmenter le risque de lésion de la peau ou d'autres tissus mous. Si le coussin semble insuffisamment gonflé, ou se dégonfle, vissez toutes les valves (sens des aiguilles d'une montre) pour vous assurer qu'elles sont bien fermées. Si le coussin continue de se dégonfler, communiquez immédiatement avec votre aide-soignant clinique et/ou le fournisseur.

AVERTISSEMENT

COUSSIN SURGONFLÉ : Veillez à NE PAS utiliser de coussin surgonflé sous peine d'empêcher l'utilisateur de s'enfoncer dans le coussin et de réduire ou même d'annuler les bienfaits apportés par le coussin, tout en augmentant le risque de lésion de la peau ou d'autres tissus mous.

AVERTISSEMENT

ORIENTATION DU COUSSIN ET DE SA HOUSSE : Le produit doit être utilisé avec les cellules pneumatiques tournées vers le haut.

AVERTISSEMENT

PRESSION : Le changement d'altitude peut nécessiter un ajustement du coussin. Vérifiez le gonflage de celui-ci lors d'une différence d'altitude de 300 mètres ou plus.

AVERTISSEMENT

PERFORATION : Tenez le coussin éloigné des objets tranchants qui risquent de percer les cellules pneumatiques et de dégonfler le coussin.

AVERTISSEMENT

CHALEUR/FLAMMES : Veillez à NE PAS exposer le coussin à de hautes températures, à des flammes nues ou à des cendres chaudes.

AVERTISSEMENT

CLIMAT : Si le coussin a été exposé à des températures inférieures à zéro et qu'il semble inhabituellement raide, laissez-le se réchauffer à la température ambiante, puis ouvrez la valve pneumatique. Enroulez et déroulez le coussin jusqu'à ce que le néoprène ait retrouvé sa souplesse et sa douceur. Ensuite, suivez de nouveau les instructions appropriées d'ajustement avant l'utilisation.

AVERTISSEMENT

Veillez à NE PAS utiliser le coussin sur ou avec un produit de matelassage autre que le coussin Fusion fourni.

AVERTISSEMENT

OBSTRUCTIONS : Veillez à NE PAS placer d'obstructions entre l'utilisateur et le coussin sous peine de réduire l'efficacité de ce dernier.

AVERTISSEMENT

MANIPULATION : NE transportez PAS et NE tirez PAS le coussin par une de ses valves.

AVERTISSEMENT

UTILISATION : Veillez à NE PAS utiliser le coussin comme dispositif de flottaison (p. ex., comme une bouée).

ATTENTION- SOLUTIONS : NE LAISSEZ PAS DE LOTIONS À BASE D'HUILE OU DE LANOLINE ENTRER EN CONTACT AVEC LE COUSSIN, CAR CELLES-CI RISQUENT DE DÉTÉRIORER LE MATÉRIAU.

ATTENTION- GÉNÉRATEURS D'OZONE : L'AGENCE AMÉRICAINE DE PROTECTION DE L'ENVIRONNEMENT (US ENVIRONMENTAL PROTECTION AGENCY), SANTÉ CANADA ET D'AUTRES AGENCES PUBLIQUES ONT PUBLIÉ DES AVERTISSEMENTS SUR L'EMPLOI DES GÉNÉRATEURS D'OZONE. UNE EXPOSITION PROLONGÉE À L'OZONE DÉTÉRIORE LE CAOUTCHOUC, LES TISSUS ET LES AUTRES MATÉRIEAUX UTILISÉS DANS LA FABRICATION DU PRODUIT ROHO, ET RISQUE D'AFFECTER LES PERFORMANCES DE CELUI-CI, AINSI QUE D'ANNULER SA GARANTIE.

ATTENTION- N'UTILISEZ PAS DE POMPE OU DE TROUSSE DE RÉPARATION AUTRE QUE CELLES FOURNIES PAR ROHO INC. OU SUNRISE MEDICAL, SOUS PEINE D'ANNULER LA GARANTIE.

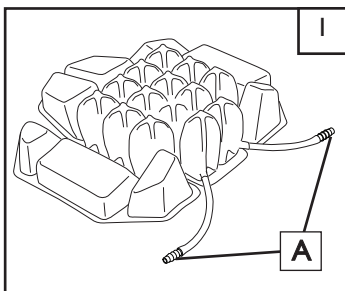
AVIS: Consultez les instructions d'installation et d'ajustement données dans le manuel de l'utilisateur du coussin JAY Fusion. Les instructions suivantes ne concernent que l'installation et l'ajustement de l'insert ROHO® DRY FLOATATION®.

A. INSTALLATION DU OU DES TUBES DE GONFLAGE

Certaines configurations du coussin JAY Fusion à insert ROHO® DRY FLOATATION® sont fournies sans pré-installation du ou des tubes de gonflage. Si tel est le cas, les pièces reçues sont les suivantes:

1. Insert ROHO® DRY FLOATATION®
2. 1 ou 2 longueurs de tube terminées d'un côté par une valve de gonflage, l'autre extrémité étant ouverte.

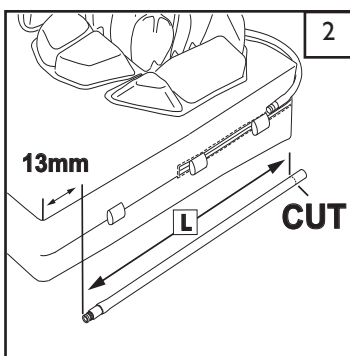
Un deuxième tube est inclus si l'insert pneumatique comprend deux chambres à air. Un raccord (A) a déjà été installé sur le ou les tubes de gonflage tronqués.



REMARQUE: La figure n° 1 montre un insert ROHO® DRY FLOATATION® à deux chambres, prêt pour qu'y soit fixée la longueur de tube en suivant les étapes énumérées ci-dessous.

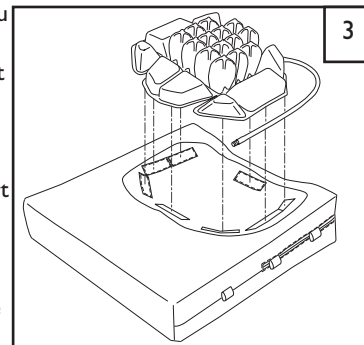
Pour installer le ou les tubes de gonflage

1. Installez l'insert ROHO® DRY FLOATATION® dans la base en mousse Fusion avec la housse interne, comme expliqué dans les instructions ci-dessous
2. Mesurez la longueur de tube de gonflage requise selon la taille particulière de votre coussin (figure n° 2). Pour ce faire, vissez le tube dans les boucles situées sur le bord avant de la housse interne. Mesurez environ 13 mm (1/2 po) depuis le bord avant du coussin, puis passez le tube sur la distance (L) jusqu'à ce que son extrémité ouverte arrive à la valve de tube qui sort de l'insert.
3. Avec des ciseaux pointus, coupez la longueur du tube de gonflage ainsi mesurée.
4. Insérez le raccord dans la longueur ainsi coupée de chaque tube de gonflage.

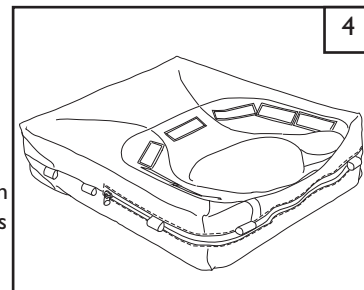


B. INSTALLATION DE L'INSERT DRY FLOATATION® DANS LE COUSSIN

1. La housse extérieure ayant été préalablement retirée de la base en mousse Fusion, glissez l'insert Dry Floatation® dans le puits. Vérifier que l'insert ROHO® DRY FLOATATION® est dans l'alignement du puits et que les tubes de gonflage se trouvent à l'arrière du coussin. (Voir la figure n° 3). Assurez-vous que la bande Velcro de l'insert ROHO® DRY FLOATATION® est alignée sur la bande Velcro correspondante fixée sur la housse intérieure.

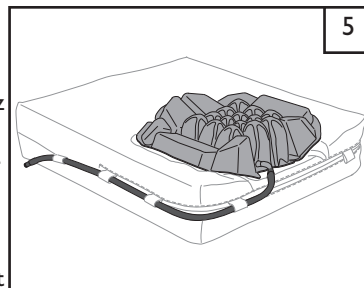


2. Une fois l'insert ROHO® DRY FLOATATION® installé, le ou les tubes de gonflage doivent être fixés à la housse intérieure. Votre insert ROHO® DRY FLOATATION® comporte un ou deux tubes de gonflage, selon le nombre de chambres à air. Utilisez les boucles en tissu de chaque côté de la housse intérieure pour y passer le ou les tubes de gonflage. (Figures nos 4 et 5.)



3. Vissez le tube de gonflage dans les boucles en commençant à l'arrière de la housse intérieure. Continuez à insérer le tube dans chaque boucle jusqu'à l'avant du produit.

4. Si l'insert ROHO® DRY FLOATATION® est doté de deux chambres à air, répétez les étapes avec le deuxième tube de gonflage du côté opposé.



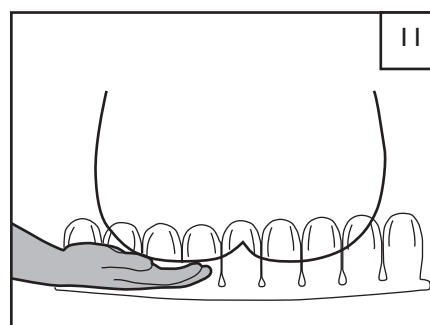
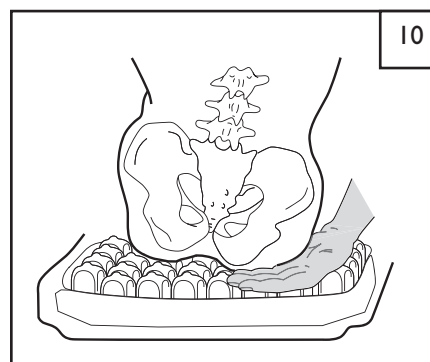
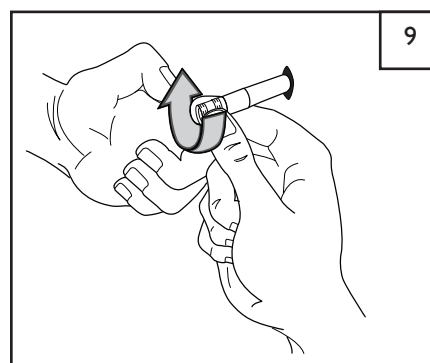
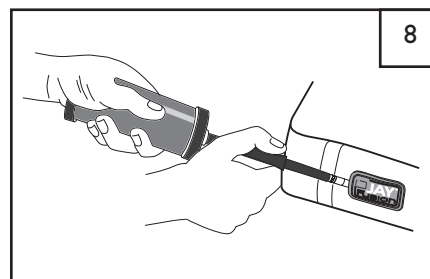
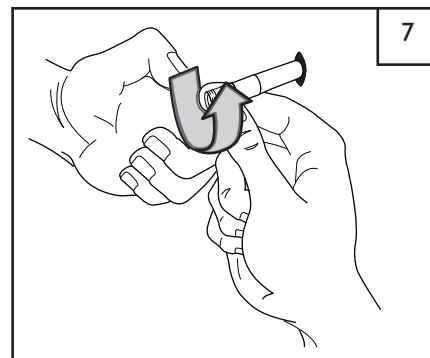
5. Réinstallez la housse extérieure en la glissant sur l'ensemble base-housse intérieure. Il est conseillé de maintenir la valve de gonflage en place d'une main pendant que vous glissez la housse sur l'ensemble de l'autre main.

6. Introduisez la valve dans la fente de la housse extérieure, derrière le logo JAY Fusion. La valve doit faire saillie par la fente et être fixée sur la housse du coussin Fusion à l'aide de l'élastique latéral. (Figure n° 6.)



A. AJUSTEMENT

1. Ouvrez la valve pneumatique en la tournant dans le sens inverse des aiguilles d'une montre. Si le coussin est muni de deux valves, ouvrez les deux valves par la même méthode (Figure n° 7.)
2. Raccordez le tuyau en caoutchouc de la pompe ROHO® sur l'extrémité de la valve. Gonflez l'insert du coussin avec la pompe, jusqu'à ce que le coussin commence à se cambrer (Figure n° 8.)
3. Retirez le tuyau de la pompe de la valve et fermez celle-ci en la tournant dans le sens des aiguilles d'une montre. (Figure n° 9.)
4. L'insert ROHO® DRY FLOATATION® étant installé, asseyez-vous sur le coussin JAY Fusion, dans votre position assise normale, avec les accoudoirs et les repose-pieds en position appropriée.
5. Glissez la main sous les fesses pour localiser la protubérance osseuse la plus basse, en général les tubérosités ischiatiques. Pour cela, le médecin ou l'aide-soignant doit apporter son assistance, le cas échéant. (Figure n° 10.)
6. En laissant une main en place sous la protubérance osseuse la plus basse, ouvrez la valve de l'autre main. Vous commencez à vous enfoncer dans le coussin au fur et à mesure que l'air s'échappe. Lorsque les doigts touchent la base, refermez la valve. Une couche d'air d'environ 13 mm (1/2 po) doit se trouver entre la protubérance osseuse la plus basse et la base du coussin. (Figure n° 11.)



B. REMARQUES IMPORTANTES À PROPOS DE L'AJUSTEMENT

- Votre coussin JAY Fusion à insert ROHO® DRY FLOATATION® a peut-être été commandé avec deux valves, une de chaque côté. Dans ce cas, répétez les étapes 1 à 6 ci-dessus pour la deuxième valve. La présence de deux valves signifie que votre coussin est divisé en deux au milieu. L'utilisateur, le médecin ou l'aide-soignant doivent localiser la protubérance osseuse la plus basse située du même côté que la valve pneumatique utilisée pour ajuster le coussin.
- L'utilisateur, le médecin ou l'aide-soignant doivent vérifier quotidiennement l'insert du coussin, au cas où celui-ci se serait dégonflé et que l'utilisateur serait assis directement sur la base. Si tel est le cas, l'insert n'assure alors plus sa fonction de protection. Vérifiez également que l'insert n'est pas surgonflé. Il fonctionne le mieux lorsqu'une couche d'air de 13 mm (1/2 po) se trouve entre l'utilisateur et la base.
- L'insert ROHO® DRY FLOATATION® peut être affecté par les changements d'altitude. Dans ce cas, répétez les étapes 1 à 6.

A. NETTOYAGE ET DÉSINFECTION DE VOTRE INSERT ROHO® DRY FLOATATION®

Nettoyage et désinfection de votre insert ROHO® DRY FLOATATION®

NETTOYAGE DE L'INSERT ROHO® DRY FLOATATION®

Pour nettoyer l'insert ROHO® DRY FLOATATION®, tirez-le doucement de son logement dans la base en mousse, en prenant des précautions avec la valve. Dégonflez le coussin, fermez la ou les valves et posez-le dans un grand évier. Frottez doucement les cellules pneumatiques et les interstices avec une brosse douce en plastique, une éponge ou un chiffon. Il est suggéré d'utiliser un détergent liquide à vaisselle ou à linge, ou un détergent à usage général. Dans un établissement de soins, un nettoyant désinfectant ménager d'usage général peut être utilisé.

DÉSINFECTION DE L'INSERT ROHO® DRY FLOATATION®

Désinfectez l'insert ROHO® DRY FLOATATION® avec un produit germicide satisfaisant aux besoins de contrôle des infections. Un désinfectant aux propriétés tuberculocides est recommandé. Suivez les instructions de dilution du fabricant. Pour une désinfection à domicile, utilisez une solution d'environ 125 ml d'eau de Javel dans 1 litre d'eau. Laissez agir la solution pendant 10 minutes. Rincez l'insert à fond puis séchez-le.

AVERTISSEMENT

Si le coussin devient sale ou est contaminé, notez que les désinfectants ne sont pas aussi efficaces sur les surfaces poreuses, comme la mousse. N'utilisez PAS l'insert pour plusieurs personnes.

ATTENTION– N'UTILISEZ PAS DE LOTIONS À BASE D'HUILE OU DE LANOLINE SUR LE COUSSIN, CAR CELLES-CI RISQUENT DE DÉTÉRIORER LE CAOUTCHOUC NÉOPRÈNE.

B. RÉPARATIONS

Chaque coussin JAY Fusion à insert ROHO® DRY FLOATATION® est fourni avec une trousse de réparation et une notice d'instructions pour les réparations mineures. Suivez les instructions énumérées ci-dessous si cette notice a été égarée.

EN CAS DE FUITE D'AIR

1. Posez votre coussin, cellules pneumatiques orientées vers le bas, et surgonflez-le jusqu'à ce que les quatre coins se touchent.
2. Immergez le coussin ainsi surgonflé dans de l'eau, afin de repérer l'emplacement de la fuite.
3. Une fois la fuite localisée, insérez un cure-dents dans la perforation pour pouvoir la retrouver par la suite.
4. Laissez le coussin sécher complètement.
5. Retirez le cure-dents et nettoyez la zone autour de la perforation avec la serviette à alcool fournie. Laissez la surface sécher.
6. Enlevez le papier de la rustine fournie et, en centrant celle-ci, collez-la sur la perforation.
7. Appuyez fermement sur la rustine, jusqu'à ce que l'é-tanchéité soit assurée.
8. Le coussin est prêt à l'emploi. Ajustez le gonflage du coussin en suivant les instructions de ce manuel.

Bien que la présence d'une rustine ne modifie pas la performance du coussin, son efficacité doit être vérifiée périodiquement pour s'assurer de toute absence de fuite. Si la rustine ne suffit pas à éliminer la fuite, ou en cas de dégâts plus importants, veuillez communiquer immédiatement avec votre fournisseur.

Remplacement des valves

1. Saisissez fermement la tige de la valve en caoutchouc et retirez la valve de gonflage usée à l'aide d'une pince.

ATTENTION –NE RETIREZ PAS LA VALVE DE GONFLAGE EN TENANT LE COUSSIN ET EN TIRANT SIMPLEMENT LA VALVE, CAR CETTE MANŒUVRE RISQUERAIT DE DÉCHIRER LE COUSSIN.

2. Humidifiez l'extrémité cannelée de la valve de rechange et glissez-la dans la tige de la valve jusqu'à ce que le caoutchouc soit fermement pressé contre le corps de la valve.

Sunrise Medical • 2842 Business Park Ave. • Fresno, CA 93727 • USA
In Canada (800) 263-3390



Customer Service: 800.333.4000
www.SunriseMedical.com

©2013 Sunrise Medical (US) LLC
01.13 124610 Rev. A