



ROHO® MOSAIC® Cushion Operation Manual



Supplier: This manual must be given to the user of this product.

Caregiver: Before using this product, read the instructions and save for future reference.

s h a p e f i t t i n g t e c h n o l o g y ®

Table of Contents

Warnings and Cautions	3
Intended Use	4
Parts Detail	4
Product Specifications	4-5
Cushion Placement and Adjustment	5-6
Cover Placement	7
Troubleshooting	7
Cleaning and Disinfecting	8-9
Disposal	9
Contact Information and Return Policy	9
Limited Warranty	10
Español	11
Français	20
Deutsch	29
Italiano	38
Nederlands	47
Dansk	56
Svenska	65
Norsk	74
Suomi	83
Português	92

ROHO, Inc. has a policy of continual product improvement and reserves the right to amend this document. The current version of this document is available at permobilus.com.



Manufactured by ROHO, Inc.

100 North Florida Avenue, Belleville, Illinois 62221-5429 U.S.A.

U.S.A.: 800-851-3449 Fax: 888-551-3449 email: cc@roho.com

Outside the U.S.A.: 618-277-9150 Fax: 618-277-6518 email: intl@roho.com

© 2006, 2017 ROHO, Inc.

The following are trademarks and registered trademarks of ROHO, Inc.:

ROHO®, MOSAIC® and shape fitting technology®.

Products in this manual may be covered by one or more U.S. and foreign patents and trademarks. For further details please refer to permobilus.com.

Warnings

- Skin/soft tissue breakdown can occur due to a number of factors, which vary by individual. Check skin daily. Redness, bruising, or darker areas (when compared to normal skin) may indicate the beginning of soft tissue breakdown and needs to be addressed. If any discoloration does **NOT** disappear within 30 minutes of discovery, consult a healthcare professional immediately.
- Check inflation frequently, at least once a day!
- **DO NOT** use an under-inflated or an over-inflated product because the product benefits will be reduced or eliminated, resulting in an increased risk to skin and other soft tissue.

If your product does not appear to be holding air, see TROUBLESHOOTING. If your product is still not holding air, contact your clinical caregiver, distributor, or ROHO, Inc. immediately.

- **DO NOT** use the product on top of, or in conjunction with, any other products or materials, unless otherwise indicated in this manual. Doing so may cause the individual to become unstable and vulnerable to falling.

If your cushion feels unstable, see TROUBLESHOOTING or consult with a clinician for proper usage.

- **DO NOT** place any obstructions (except for a ROHO-provided cushion cover) between the individual and the cushion. Doing so will reduce product effectiveness. Consult with your clinician for proper usage.
- The cushion and the cover **MUST** be correctly oriented and sized. If they are **NOT**, the benefits provided by the cushion may be reduced or eliminated, increasing the risk to the skin or other soft tissue. See TROUBLESHOOTING or consult with a clinician.
- **DO NOT** use the cushion as a water flotation device (e.g., a Life Preserver). It will **NOT** support you in water.
- If you are unable to perform any tasks described in this manual, seek assistance.

Cautions

- Keep the cushion away from sharp objects.
- **DO NOT** expose the cushion to high heat, open flames, or hot ashes.
- Changes in altitude may require adjustment to the cushion.
- A cushion that has been in temperatures < 32° F / 0° C may exhibit unusual stiffness. See TROUBLESHOOTING.
- **DO NOT** use the inflation valve as a handle for carrying or for pulling the cushion.
- Using a pump, cover, or repair kit, other than those provided by ROHO, Inc., may void the product warranty.
- Prolonged exposure to ozone may degrade some of the materials used in the manufacture of this product, affect the performance of this product, and void the product warranty.

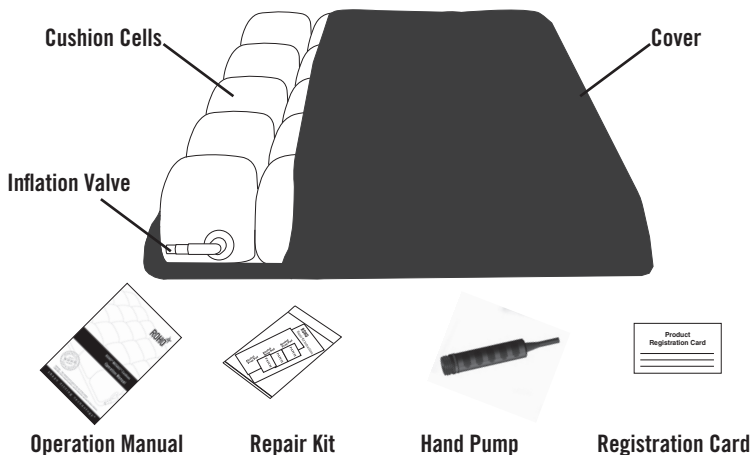
Intended Use

The ROHO® MOSAIC® Cushion (MOSAIC) is an adjustable, air-filled, segmented-design wheelchair support surface and is intended to conform to an individual's seated shape to provide skin/soft tissue protection. There is a weight limit of 250 lbs. (113 kg), and the cushion must be properly sized to the individual.

ROHO, Inc. recommends that a clinician, such as a doctor or therapist experienced in seating and positioning, be consulted to determine if the MOSAIC is appropriate for the individual's particular seating needs.

If you are using a wheelchair with a seat that does not provide a firm foundation, ROHO, Inc. recommends the use of the ROHO Planar Solid Seat Insert, or a solid seat platform, in conjunction with your wheelchair cushion for best positioning results.

Parts Detail



To order replacement parts, from the U.S.A.: contact the ROHO Customer Care Department, call your product provider, or visit The ROHO Store at www.therohostore.com.
Outside the U.S.A.: contact your country's ROHO distributor.

Product Specifications

Materials:

- Cushion: Flame-retardant PVC film (does not contain DEHP). Inflation valve: nickel-plated brass.
- Standard Cover: Two-way stretch top, spacer fabric sides with a zipper, and a non-skid bottom with hook and loop fasteners to help secure the cushion in the chair. Refer to the care label attached to your cover for material content.
- Heavy Duty Cover: Two-way stretch, fluid-resistant top and sides with a zipper, and a non-skid bottom with hook and loop fasteners to help secure the cushion in the chair. Refer to the care label attached to your cover for material content.

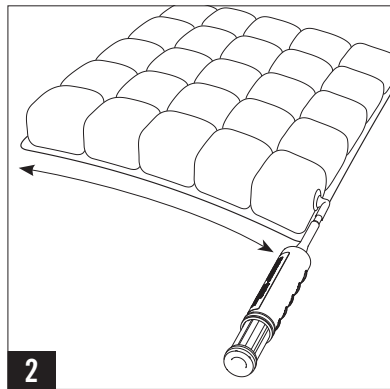
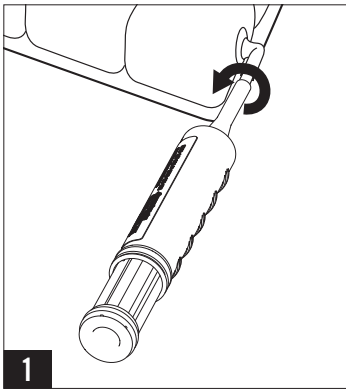
Sizing *(all measurements are approximate)*

Cushion*	Width	Length	Weight
MOSAIC1616C	16 in. (40.5 cm)	16 in. (40.5 cm)	0.75 lbs. (0.3 kg)
MOSAIC1616HD			
MOSAIC1816C	18 in. (45.5 cm)	16 in. (40.5 cm)	0.75 lbs. (0.4 kg)
MOSAIC1816HD			
MOSAIC1818C	18 in. (45.5 cm)	18 in. (45.5 cm)	1.0 lbs. (0.4 kg)
MOSAIC1818HD			

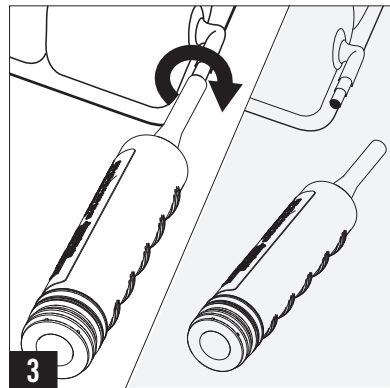
Cell height: 2.75 in. (7.0 cm)

*C = Standard Cover; HD = Heavy Duty Cover

Cushion Placement and Adjustment



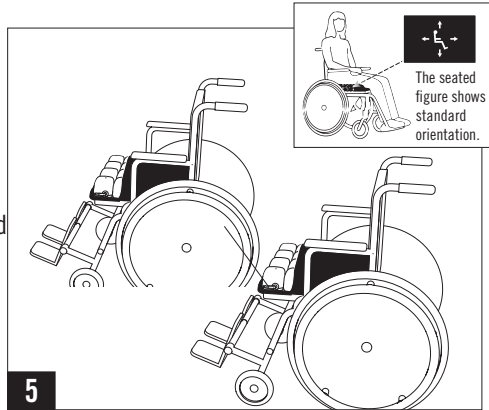
1. Slide the hand pump nozzle over the inflation valve. Open the inflation valve (*turn counterclockwise*).
2. Inflate the cushion until it begins to arch.
3. Close the inflation valve (*turn clockwise*) and remove the hand pump.



Cushion Placement and Adjustment, Continued

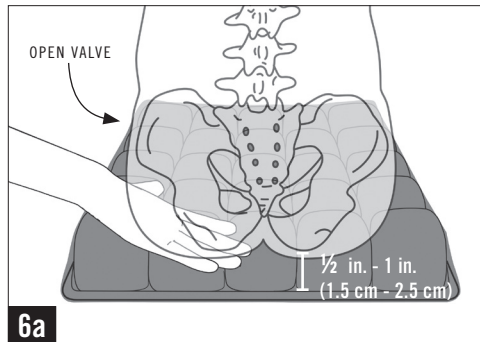
4. Place the cushion inside the cover. (See COVER PLACEMENT.)

5. Place the cushion on the wheelchair with the cells right side up. The individual should sit in the wheelchair in their normal sitting position. Make sure that the cushion is centered underneath the individual. The inflation valve should be in the front, on the left side of the seated individual.



6. The cushion is most effective when there is $\frac{1}{2}$ in. to 1 in. (1.5 cm to 2.5 cm) of air between the individual's lowest bony prominence and the seating surface.

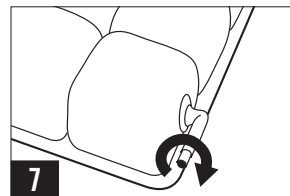
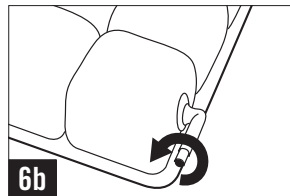
To adjust the inflation level:



(a) Slide your hand between the cushion and the individual. Slightly lift the individual's leg and feel for their lowest bony prominence. Lower their leg to a sitting position.

(b) While keeping your hand under the individual's lowest bony prominence, open the inflation valve (*turn counterclockwise*). Release air until you can barely move your fingertips.

7. Close the inflation valve (*turn clockwise*).



Cover Placement

When covered, the cushion should lie flat on the chair (non-skid material on the bottom).

1. Unfold the cover.
2. Insert the cushion.
 - Standard Cover: The corners of the cushion should be visible through the corner openings of the cover. Pull the inflation valve through the corner opening.
 - Heavy Duty Cover: The inflation valve should point toward the zipper.
3. Close the zipper.

Note: A cover is not required. However, a cover is included with every MOSAIC to help with slide board transfers and to prevent the cushion cells from protruding beyond the wheelchair seat. The non-skid bottom of the cover helps keep the cushion more secure in the chair.



Inspect the cover for damage and replace if necessary.

Troubleshooting

Not Holding Air:

Inflate the cushion. Confirm that the inflation valve is completely closed (*turn clockwise*). Look for holes. If large holes or leaks are found, see the LIMITED WARRANTY. If very small holes or no holes are visible, follow the instructions in the Repair Kit provided with your product.

Uncomfortable/Unstable: Confirm that:

- the cushion is not over-inflated (See ADJUSTMENT.)
- the cells and the top of the cover are facing up.
- the cushion is centered beneath the individual.
- the cushion is properly sized to the individual and the wheelchair.

Allow the individual to sit on the cushion for at least one hour so that they may adjust to the texture of the product surface and immersion into the air cells.

Cushion Slides On Wheelchair: Make sure that the non-skid bottom of the cover is facing down. Refer to the directional labels on the cushion and the cover.

Cushion is Stiff: Allow the cushion to warm to room temperature. Open the corner valve. Roll up the cushion and unroll it until the cushion is soft and pliable again. Repeat CUSHION PLACEMENT AND ADJUSTMENT instructions before using.

Cleaning and Disinfecting

Cleaning and disinfecting are two separate processes. Cleaning must precede disinfection. **Note:** Before use by a different individual, clean, disinfect, and check the product for proper functioning.

 **WARNING:** If using bleach, follow the safety guidelines on the bleach container.



DO NOT:

- use abrasives, such as steel wool or scouring pads.
- use cleaning products containing petroleum or organic solvents such as acetone, toluene, Methyl Ethyl Ketone (MEK), naphtha, dry cleaning fluids, or adhesive removers.
- use caustic, automatic dishwasher detergents.
- allow water or cleaning solution to enter the product.
- expose the product to ozone gas or ultraviolet light cleaning methods.

Cover Care: Before cleaning and disinfecting, remove hook fastener pieces from bottom of cover. Wash with like colors.

To Clean the Cover: Remove the cover. Machine wash in warm water (40°C) with mild detergent, gentle cycle, or hand wash with neutral detergent and warm water. Tumble dry low.



To Disinfect the Cover: Hand wash in warm water + 1 part household liquid bleach per 9 parts water. Rinse thoroughly. Or machine wash in hot water (60°C). Tumble dry low.



To Clean the Cushion: Remove the cover and close the valve. Hand wash in warm (40°C) water. Use mild liquid hand soap, hand dishwashing liquid, laundry detergent, or multipurpose detergent that is used for general cleaning. Use a soft, plastic bristle brush, sponge, or cloth to gently scrub all cushion surfaces. Rinse with clean water. Air dry. **DO NOT** machine wash or dry. **DO NOT** expose to direct sunlight.

To Disinfect the Cushion: Repeat cleaning instructions using 1 part household liquid bleach per 9 parts water. **DO NOT** autoclave.

Cleaning and Disinfecting, Continued

To Sterilize the Cushion:

Follow cleaning and disinfecting guidelines. ROHO products are not packaged in a sterile condition, nor are they intended or required to be sterilized prior to usage. High temperatures accelerate aging and may cause damage to the product assembly. If institution protocol demands sterilization, open the valve and use the lowest temperature possible for the shortest time possible. Gas sterilization is preferable to steam autoclave, but neither is recommended. In any process using pressure, ensure all valves are open to prevent damage to the product. ROHO, Inc. strongly discourages sterilization methods using temperatures greater than 160° F (71°C) for PVC products.

Disposal

When properly used and disposed of, the components of the products in this manual are associated with no known environmental hazards. Dispose of the product and/or components in accordance with the applicable regulations in your jurisdiction. **DO NOT INCINERATE.**

Contact Information

In the U.S.A:

ROHO Warranty Service and Customer Care:

Phone: 800-851-3449 • Fax: 888-551-3449

Warranty Service: warranty@roho.com

Customer Care: cc@roho.com

Note: If directed to return any items, please send to:

ROHO, Inc.

1501 South 74th Street

Belleville, IL 62223

Outside the U.S.A.:

ROHO International:

intl@roho.com • Phone: 618-277-9150 • Fax: 618-277-6518

Or visit www.roho.com for a list of ROHO International distributors.

Return Policy

All products returned must be new and unused, require prior authorization from ROHO, Inc., and are subject to a restocking charge. Before returning your product:

In the U.S.A., contact our Warranty Service Department; **outside the U.S.A.**, contact your country's ROHO distributor.

Limited Warranty

What is covered?

ROHO, Inc. covers any defects in materials or workmanship of the product.

For how long?

12 months from the date the product was originally purchased, with the exception of the cover, which has a 6-month Limited Warranty.

What is not covered?

A product that has been misused, damaged by an accident, or damaged from “an act of Nature”, e.g., flood, tornado, earthquake, fire. Any substitutions of supplied product accessories or modification to the product will void the warranty.

What the customer must do:

Within the U.S.A., the customer must contact the ROHO, Inc. Warranty Service Department. Note: Any items sent to ROHO, Inc. without prior authorization will not be returned to the customer. Outside the U.S.A., contact your country's ROHO distributor.

Questions?

See CONTACT INFORMATION.

Disclaimer.

Any implied warranties, including the MERCHANTABILITY AND FITNESS FOR A PARTICULAR PURPOSE are limited to the same time period of the product types referenced above in the “For how long?” section and any action for a breach of such warranties or any express warranties herein must be commenced within that time. ROHO, Inc. shall not be responsible for any incidental or consequential damages with respect to economic loss to property, whether as a result of a breach of express or implied warranties or otherwise.

Your Rights and the Effect of this Warranty upon Them.

This warranty restricts the duration of all implied warranties as noted above and limits or excludes recovery for incidental or consequential damages. Some jurisdictions do not allow limitations on how long implied warranties will last and some jurisdictions do not allow the exclusion or limitation of consequential or incidental damages, so those provisions may not apply to you. While this warranty gives you specific legal rights, you may also have other rights which vary from jurisdiction to jurisdiction.



Mailing/Shipping Address:

1501 South 74th Street, Belleville, IL 62223-5900 USA

Administrative Offices:

100 N. Florida Avenue, Belleville, IL 62221-5429 USA

U.S.: 800-851-3449 • Fax 888-551-3449

Outside the U.S.: 618-277-9150 • Fax 618-277-6518

permobilus.com



The Quality Management System of
ROHO, Inc. is certified to
ISO 9001:2008 and ISO 13485:2003.

ITEM# LITG00538, Qty: _____
Revision: 03/29/17
Print Date: _____



MDSS GmbH
Schiffgraben 41
30175 Hannover, Germany

