

BESTSTAND™

SA400 | SIT-TO-STAND LIFT

The BestStand™ SA400 is one of the latest addition to our ProCare Sit-to-Stand Solutions. Its ergonomic design ensures safe and smooth patient sit-to-stand transfer.



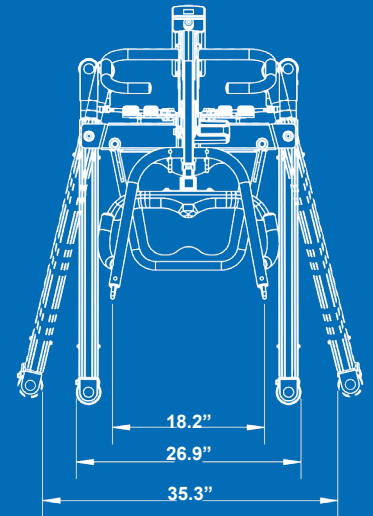
- **400lb** Capacity
- Full electric with optional spare battery
- Wide Lifting range
- Adjustable knee pad
- Compact base for easy maneuver
- Detachable foot plate

| DIMENSIONS

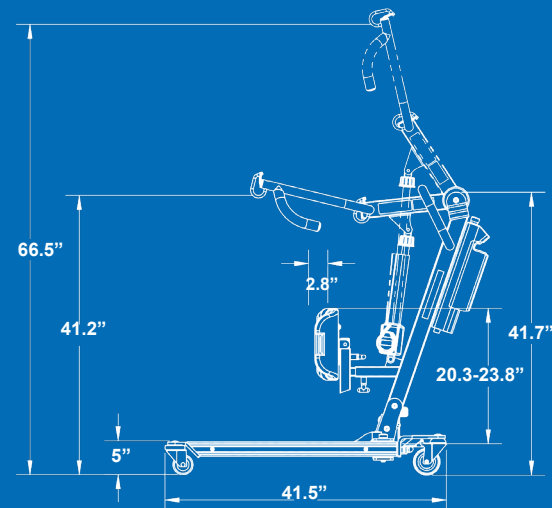
Key dimensions of SA400	
maximum capacity	400Lb / 180 Kg
external base width (closed)	26.9"
internal leg width (opened)	35.3"
upright mast height	41.7"
overall base length	41.5"
base height	5"
minimum lifting height with spreader bar	41.2"
maximum lifting height with spreader bar	66.5"
knee pad length extension range	2.8"
maximum boom width	18.2"
knee pad height	20.3-23.8"
net weight	118lb / 53.5kgs
shipping weight	140lb / 63.5kgs

* SPECIFICATIONS PROVIDED ARE A GENERAL GUIDELINE AND ARE SUBJECT TO CHANGE WITHOUT NOTICE

| SA400



TOP VIEW OF SA400



SIDE VIEW OF SA400