

Invacare® **Reliant™ 450 RHL450-I**

Invacare **Reliant 450 RPL450-I**

Invacare **Reliant 600 RPL600-I**

Manual/Electric Mobile Patient Lift

User Manual

Manuel d'utilisation

Manual del usuario



This manual MUST be given to the user of the product.

BEFORE using this product, read this manual and save for future reference.



Yes, you can.®

© 2013 Invacare Corporation. All rights reserved. Republication, duplication or modification in whole or in part is prohibited without prior written permission from Invacare. Trademarks are identified by ™ and ®. All trademarks are owned by or licensed to Invacare Corporation or its subsidiaries unless otherwise noted.

User Manual

Manual/Electric Mobile Patient Lift

DEALER: This manual MUST be given to the user of the product.

USER: BEFORE using this product, read this manual and save for future reference.

1	GENERAL	5	5	ASSEMBLY	15
	Symbols	5		Assembling the Patient Lift.....	15
	Warnings.....	5		Unpacking the Patient Lift	15
	Other Symbols.....	5		Assembling the Mast to the Base	16
	Limited Warranty	6		Assembling the Manual/Hydraulic Pump to the Boom.....	17
2	SAFETY	7		Assembling the Electric Actuator to the Boom.....	18
	General Guidelines	7		Installing the Shifter Handle.....	19
	Operating Information	7	6	OPERATION	20
	General.....	7		Operating the Patient Lift.....	20
	Pinch Points and Positioning.....	8		Closing/Opening the Legs of the Base Assembly.....	20
	Assembling the Lift	8		Raising/Lowering a Manual/Hydraulic Lift	22
	Operating the Lift	8		Raising/Lowering an Electric Lift.....	24
	Using the Sling	9		Activating a Mechanical Emergency Release.....	24
	Lifting the Patient.....	9		Performing an Emergency Stop.....	25
	Transferring the Patient	10		Mounting the Battery Charger	26
	Performing Maintenance.....	10		Charging the Battery	27
	Electrical and Grounding.....	11	7	LIFTING THE PATIENT	28
	Disposal.....	11		Preparing the Lift for Use.....	28
	Radio Frequency Interference.....	11		Positioning the Lift for Use	28
3	PRODUCT LABELING	12		Attaching Slings to the Lift.....	29
4	TECHNICAL DATA	13		Lifting/Moving the Patient.....	30
	Patient Lift.....	13			
	Full Body, Divided Leg and Toileting Slings.....	14			
	Reliant Scale RLS6.....	14			

CONTENTS

8 TRANSFERRING THE PATIENT 32

Transferring the Patient for Using a Commode Chair or Standard Commode.....	32
Transferring to a Commode Chair.....	33
Transferring to a Standard Commode.....	34
Transferring to a Bathing Unit.....	35
Transferring to a Wheelchair.....	36

9 TROUBLESHOOTING 38

10 MAINTENANCE 40

Maintenance Safety Inspection Checklist.....	40
Lubricating the Lift.....	43
Detecting Wear and Damage.....	44
Cleaning the Sling and the Lift.....	44
Maintaining the Manual/Hydraulic Pump.....	44
Replacing a Manual/Hydraulic Pump.....	44
Replacing the Electric Actuator.....	45
Checking and Tightening Mast Pivot Bolt.....	46
Replacing the Hanger Bar.....	47

Maintaining the Base Adjustment.....	48
Replacing Casters/Forks.....	48
Replacing Rear Casters.....	48
Replacing Front Casters.....	49
Replacing Forks.....	49

II ACCESSORIES 50

Reliant Scale RLS6.....	50
Removing the Hanger Bar.....	50
Installing the Reliant Scale.....	52
Operating the Scale.....	54
Keypad Functions.....	54
Weighing the Patient.....	55
Replacing the Battery.....	56
Calibrating the Reliant Scale.....	57
Troubleshooting.....	58
Display Codes.....	58

I General

I.1 Symbols

Warnings

Signal words are used in this manual and apply to hazards or unsafe practices which could result in personal injury or property damage. See the information below for definitions of the signal words.



DANGER

Danger indicates an imminently hazardous situation which, if not avoided, will result in death or serious injury.



WARNING

Warning indicates a potentially hazardous situation which, if not avoided, could result in death or serious injury.



CAUTION

Caution indicates a potentially hazardous situation which, if not avoided, may result in property damage or minor injury or both.



IMPORTANT

Indicates a hazardous situation that could result in damage to property if it is not avoided.



Gives useful tips, recommendations and information for efficient, trouble-free use.



ATTENTION, see instructions for use.

Other Symbols



Date of manufacture.

I GENERAL

I.2 Limited Warranty



PLEASE NOTE: THE WARRANTY BELOW HAS BEEN DRAFTED TO COMPLY WITH FEDERAL LAW APPLICABLE TO PRODUCTS MANUFACTURED AFTER JULY 4, 1975.

This warranty is extended only to the original purchaser/user of our products.

This warranty gives you specific legal rights and you may also have other legal rights which vary from state to state.

Invacare warrants the products manufactured to be free from defects in materials and workmanship for a period of three years on the lift and one year on the slings, hydraulic pump / electric components from the date of purchase. If within such warranty period any such product shall be proven to be defective, such product shall be repaired or replaced, at Invacare's option. This warranty does not include any labor or shipping charges incurred in replacement part installation or repair of any such product. Invacare's sole obligation and your exclusive remedy under this warranty shall be limited to such repair and/or replacement.

For warranty service, please contact the dealer from whom you purchased your Invacare product. In the event you do not receive satisfactory warranty service, please write directly to Invacare at the address on the back cover, provide dealer's name, address, date of purchase, indicate nature of the defect.

Invacare Corporation will issue a serialized return authorization. The defective unit or parts **MUST** be returned for warranty inspection using the serial number, when applicable as identification within 30 days of return authorization date. Do not return products to our factory without our prior consent. C.O.D. shipments will be refused; please prepay shipping charges.

LIMITATIONS AND EXCLUSIONS: THE FOREGOING WARRANTY SHALL NOT APPLY TO SERIAL NUMBERED PRODUCTS IF THE SERIAL NUMBER HAS BEEN REMOVED OR DEFACED, PRODUCTS SUBJECTED TO NEGLIGENCE, ACCIDENT, IMPROPER OPERATION, MAINTENANCE OR STORAGE, PRODUCTS MODIFIED WITHOUT INVACARE'S EXPRESS WRITTEN CONSENT (INCLUDING, BUT NOT LIMITED TO, MODIFICATION THROUGH THE USE OF UNAUTHORIZED PARTS OR ATTACHMENTS; PRODUCTS DAMAGED BY REASON OF REPAIRS MADE TO ANY COMPONENT WITHOUT THE SPECIFIC CONSENT OF INVACARE, OR TO A PRODUCT DAMAGED BY CIRCUMSTANCES BEYOND INVACARE'S CONTROL, AND SUCH EVALUATION WILL BE SOLELY DETERMINED BY INVACARE. THE WARRANTY SHALL NOT APPLY TO PROBLEMS ARISING FROM NORMAL WEAR OR FAILURE TO ADHERE TO THE INSTRUCTIONS IN THIS MANUAL.

THE FOREGOING WARRANTY IS EXCLUSIVE AND IN LIEU OF ANY OTHER EXPRESS WARRANTIES. IMPLIED WARRANTIES, IF ANY, INCLUDING THE IMPLIED WARRANTIES OF MERCHANTABILITY AND FITNESS FOR A PARTICULAR PURPOSE, SHALL NOT EXTEND BEYOND THE DURATION OF THE EXPRESSED WARRANTY PROVIDED HEREIN AND THE REMEDY FOR VIOLATIONS OF ANY IMPLIED WARRANTY SHALL BE LIMITED TO REPAIR OR REPLACEMENT OF THE DEFECTIVE PRODUCT PURSUANT TO THE TERMS CONTAINED HEREIN. INVACARE SHALL NOT BE LIABLE FOR ANY CONSEQUENTIAL OR INCIDENTAL DAMAGES WHATSOEVER. SOME STATES DO NOT ALLOW EXCLUSION OR LIMITATION OF INCIDENTAL OR CONSEQUENTIAL DAMAGE, OR LIMITATION ON HOW LONG AN IMPLIED WARRANTY LASTS, SO THE ABOVE EXCLUSIONS AND LIMITATIONS MAY NOT APPLY TO YOU. THIS WARRANTY SHALL BE EXTENDED TO COMPLY WITH STATE OR PROVINCIAL LAWS AND REQUIREMENTS.

2 Safety

The Safety section contains important information for the safe operation and use of this product.

2.1 General Guidelines

**WARNING**

DO NOT use this product or any available optional equipment without first completely reading and understanding these instructions and any additional instructional material such as owner's manuals, service manuals or instruction sheets supplied with this product or optional equipment. If you are unable to understand the warnings, cautions or instructions, contact a healthcare professional, dealer or technical personnel before attempting to use this equipment - otherwise, injury or damage may occur.

**ACCESSORIES WARNING**

Invacare products are specifically designed and manufactured for use in conjunction with Invacare accessories. Accessories designed by other manufacturers have not been tested by Invacare and are not recommended for use with Invacare products.

**NOTICE**

THE INFORMATION CONTAINED IN THIS DOCUMENT IS SUBJECT TO CHANGE WITHOUT NOTICE.

Check all parts for shipping damage before using. In case of damage, DO NOT use the equipment. Contact the Dealer for further instructions.

2.2 Operating Information

General

**WARNING**

The Invacare patient lift is NOT a transport device. It is intended to transfer an individual from one resting surface to another (such as a bed to a wheelchair).

DO NOT attempt any transfer without approval of the patient's physician, nurse or medical assistant. Thoroughly read the instructions in this Owner's Manual, observe a trained team of experts perform the lifting procedures and then perform the entire lift procedure several times with proper supervision and a capable individual acting as a patient.

Use common sense in all lifts. Special care **MUST BE** taken with people with disabilities who cannot cooperate while being lifted.

Invacare slings and patient lift accessories are specifically designed to be used in conjunction with Invacare patient lifts. Slings and accessories designed by other manufacturers are not to be utilized as a component of Invacare's patient lift system.

If the patient lift is exposed to extreme temperature (above 100°F or below 32°F), high humidity and/or becomes wet, prior to use, ensure handgrips do not twist on patient lift handle - otherwise damage or injury may occur.

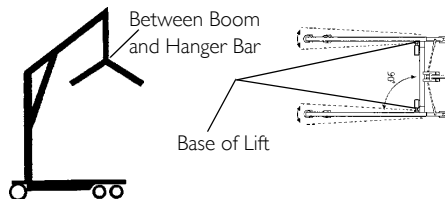
2 SAFETY

Pinch Points and Positioning



WARNING

Pinch points, fingers could be pinched.
When positioning lift, be aware of the position of the hanger bar and the patient. Injury could occur.



Assembling the Lift



WARNING

DO NOT overtighten mounting hardware. This will damage mounting brackets.

Operating the Lift



WARNING

Although Invacare recommends that two assistants be used for all lifting preparation, transferring from and transferring to procedures, our equipment will permit proper operation by one assistant. The use of one assistant is based on the evaluation of the health care professional for each individual case.

Make sure there is an audible click when mounting battery on the battery charger to confirm proper mounting. Otherwise, injury or damage may occur.

DO NOT exceed maximum weight limitation of the patient lift. The weight limitation for the RHL450-I and RPL450-I is 450 lbs. The weight limitation for the RPL600-I is 600 lbs.

ALWAYS keep hands and fingers clear of moving parts to avoid injury.

Using the Sling



WARNING

Use an Invacare approved sling that is recommended by the individual's doctor, nurse or medical assistant for the comfort and safety of the individual being lifted.

DO NOT use any kind of plastic back incontinence pad or seating cushion between patient and sling material that may cause the patient to slide out of the sling during transfer.

After each laundering (in accordance with instructions on the sling), inspect sling(s) for wear, tears, and loose stitching.

Bleached, torn, cut, frayed, or broken slings are unsafe and could result in injury. Discard immediately.

DO NOT alter slings.

Be sure to check the sling attachments each time the sling is removed and replaced, to ensure that it is properly attached before the patient is removed from a stationary object (bed, chair or commode).

If the patient is in a wheelchair, secure the wheel locks in place to prevent the chair from moving forwards or backwards.

When connecting slings equipped with color coded straps to the patient lift, the shortest of the straps MUST be at the back of patient for support. Using long section will leave little or no support for patient's back. The loops of the sling are color coded and can be used to place patient in various positions. The colors make it easy to connect both sides of the sling equally. Make sure that there is sufficient head support when lifting a patient.

Lifting the Patient



WARNING

When using an adjustable base lift, the legs MUST be in the maximum Opened/Locked position before lifting the patient.

When elevated a few inches off the surface of the stationary object (wheelchair, commode, or bed) and before moving the patient, check again to make sure that the sling is properly connected to the hooks of the hanger bar. If any attachments are not properly in place, lower the patient back onto the stationary object (wheelchair, commode, or bed) and correct this problem.

Adjustments for safety and comfort should be made before moving the patient. Patient's arms should be inside of the straps.

Invacare slings are made specifically for use with Invacare Patient Lifts. For the safety of the patient, DO NOT intermix slings and patient lifts of different manufacturers. Warranty will be voided.

During transfer, with patient suspended in a sling attached to the lift, DO NOT roll caster base over uneven surfaces that could cause the patient lift to tip over. Use steering handle on the mast at all times to push or pull the patient lift.

Invacare does not recommend locking of the rear casters of the patient lift when lifting an individual. Doing so could cause the lift to tip and endanger the patient and assistants. Invacare does recommend that the rear casters be left unlocked during lifting procedures to allow the patient lift to stabilize itself when the patient is initially lifted from a chair, bed or any stationary object.

2 SAFETY

Transferring the Patient



WARNING

When elevated a few inches off the surface of the stationary object (wheelchair, commode, or bed) and before moving the patient, check again to make sure that the sling is properly connected to the hooks of the hanger bar. If any attachments are not properly in place, lower the patient back onto the stationary object (wheelchair, commode, or bed) and correct this problem.

Wheelchair wheel locks **MUST** be in a locked position before lowering the patient into the wheelchair for transport.

Before transferring, check that the wheelchair weight capacity can withstand the patient's weight.

Be sure to check the sling attachments each time the sling is removed and replaced, to ensure that it is properly attached before the patient is removed from the bed or chair.

Most pivot under the rubber boot must be tight to ensure safe use of the patient lift. Bolt must be checked at least every six months in conjunction with periodic maintenance.

Performing Maintenance



WARNING

Maintenance **MUST** be performed **ONLY** by qualified personnel.

The pump is sealed at the factory. **DO NOT** attempt to open the pump or obtain local service as this will **VOID** the warranty and might result in damage. Consult your dealer or write Invacare for further information.

After the first year of use, the hooks of the hanger bar and the mounting brackets of the boom should be inspected every three months to determine the extent of wear. If these parts become worn, replacement must be made.

Casters and axle bolts require inspections every six months to check for tightness and wear.

After the first twelve months of operation, inspect the hanger bar and the eye of the boom (to which it attaches) for wear. If the metal is worn, the parts **MUST** be replaced. Make this inspection every six months thereafter.

Regular maintenance of patient lifts and accessories is necessary to assure proper operation.

DO NOT overtighten mounting hardware. This will damage mounting brackets.

Electrical and Grounding



WARNING

GROUNDING INSTRUCTIONS

DO NOT, under any circumstances, cut or remove the round grounding prong from any plug used with or for Invacare products. Some devices are equipped with three-prong (grounding) plugs for protection against possible shock hazards. Where a two-prong wall receptacle is encountered, it is the personal responsibility and obligation of the customer to contact a qualified electrician and have the two-prong receptacle replaced with a properly grounded three-prong wall receptacle in accordance with the National Electrical Code. If you must use an extension cord, use ONLY a three-wire extension cord having the same or higher electrical rating as the device being connected. In addition, Invacare has placed RED/ORANGE warning tags on some equipment. DO NOT remove these tags. Carefully read battery/battery charger information prior to installing, servicing or operating your patient lift.

Disposal



WARNING

This product has been supplied from an environmentally aware manufacturer that complies with the Waste Electrical and Electronic Equipment (WEEE) Directive 2002/96/CE.

Device contains lead acid batteries. DO NOT dispose of batteries in normal household waste. They MUST be taken to a proper disposal site. Contact your local waste management company for information.

This product may contain substances that could be harmful to the environment if disposed of in places (landfills) that are not appropriate according to legislation.

Please be environmentally responsible and recycle this product through your recycling facility at its end of life.

2.3 Radio Frequency Interference




WARNING

Most electronic equipment is influenced by Radio Frequency Interference (RFI). CAUTION should be exercised with regard to the use of portable communication equipment in the area around such equipment. If RFI causes erratic behavior, PUSH the Red Power Switch OFF IMMEDIATELY. DO NOT turn the Power Switch ON while transmission is in progress.

3 Product Labeling

⚠ WARNING



BEFORE using the Patient Lift, **READ** and **UNDERSTAND** the Owner's Manual for proper operation and safety procedures.

⚠ WARNING

WEIGHT LIMITATION 450 lbs.

The Invacare Patient lift is **NOT** a transport device.

DO NOT roll casterbase over uneven surfaces that may cause the Patient Lift to tip over.

DO NOT lock the casters of the Patient Lift when lifting an individual. Casters **MUST** be left unlocked to allow Patient Lift to stabilize during lifting procedures.


USE ONLY Invacare slings and lift accessories.

For maintenance and replacement, use only components designed for this patient lift model. See the product label for model information.

Customer Service
1-800-333-6900

1073698 Rev C

⚠ WARNING



BEFORE using the Patient Lift, **READ** and **UNDERSTAND** the Owner's Manual for proper operation and safety procedures.

⚠ WARNING

WEIGHT LIMITATION 600 lbs.

The Invacare Patient lift is **NOT** a transport device.

DO NOT roll casterbase over uneven surfaces that may cause the Patient Lift to tip over.

DO NOT lock the casters of the Patient Lift when lifting an individual. Casters **MUST** be left unlocked to allow Patient Lift to stabilize during lifting procedures.

USE ONLY Invacare slings and lift accessories.

For maintenance and replacement, use only components designed for this patient lift model. See the product label for model information.

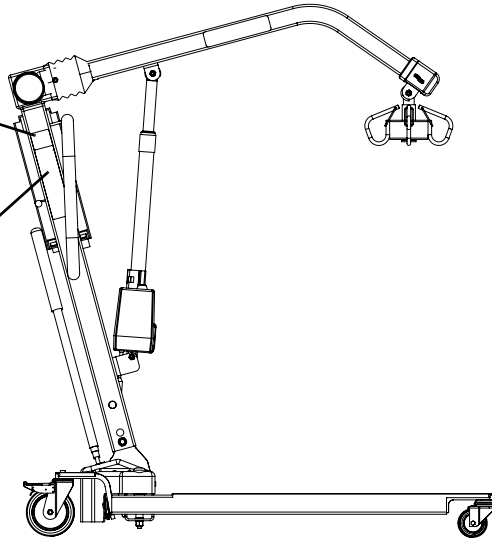
Customer Service
1-800-333-6900

1070965 Rev B

⚠ WARNING

Most pivot **MUST** be tight to ensure safe use of your patient lift. Bolt **MUST** be checked at least every six (6) months in conjunction with periodic maintenance. See Owner's Manual.

P/N 1130200 Rev. B



Electric Lift shown. Locations are the same on the Hydraulic/Manual lift.


4 Technical Data

4.1 Patient Lift

	450 LB. HYDRAULIC	450 LB. ELECTRIC	600 LB. ELECTRIC
	LOW PROFILE RHL450-I	LOW PROFILE RPL450-I	LOW PROFILE RPL600-I
Height at Sling Hook-up - MAX.:	71 inches	74 inches	68 inches
Height at Sling Hook-up - MIN.:	25 inches	24 inches	28 inches
Base Width OPEN:	41.0 inches		
Base Width CLOSED:	26.5 inches		
Base Height (Clearance):	4.5 inches	4.5 inches	4.5 inches
Base Length:	48.0 inches		
Caster Size (FRONT/REAR):	3.0/5.0 inches	3.0/5.0 inches	3.0/5.0 inches
Sling Options:	3 Styles	3 Styles	1 Style
Weight Capacity:	450 lbs		600 lbs
Weight IN Carton:	112 lbs	133 lbs	138 lbs
Weight OUT of Carton:	93 lbs	106 lbs	112 lbs
Battery:	N/A	24V DC (RCHBL)	
Charger Input:	N/A	100-240V AC	
Charger Output/Charging Time:	N/A	29.5V DC Max 6 hrs	
Accessories:	Digital Scale		
Audio Low Battery Alarm:	N/A	Yes	
Motor Safety Devices:	N/A	Anti-Entrapment	
Approx. Lifts per Charge (Varies depending upon load and stroke):	N/A	100-200 Cycles per charge	
Warranty Pump/ Electronics:	1 Year		

4 TECHNICAL DATA

4.2 Full Body, Divided Leg and Toileting Slings

	FULL BODY			FULL BODY W/COMMODE			DIVIDED LEG				TOILETING	HEAVY DUTY W/O COMMODE	HEAVY DUTY W/ COMMODE
	R110 R112*	R111 R113*	R114	R115	R116	R117*	R100P	R100	R101	R102	R121	R140*	R141*
Size:	M	L	XL	M	L	XL	P	M	L	XL	L	N/A	N/A
Width:	41.5	45.5	45.5	41.5	45.4	45.5	33	37.5	41	44.5	36	45	45
Commode Opening:	N/A	N/A	N/A	8	8	9	N/A	N/A	N/A	N/A	N/A	N/A	7
Length:	54.7	60.5	65.3	54.7	60.5	65.3	59.8	62.8	67.8	72.3	37	55	55
Commode Opening:	N/A	N/A	N/A	11	11	13	N/A	N/A	N/A	N/A	N/A	N/A	13
Back:	N/A	N/A	N/A	N/A	N/A	N/A	29.2	35.7	41.7	43.2	N/A	N/A	N/A
Weight Capacity (lbs):	450	450	450	450	450	450	450	450	450	450	450	600	600
	*Slings made of a mesh material. All dimensions are in inches except where noted.												

4.3 Reliant Scale RLS6

Weight Range:	Up to 600 Lbs. (272.7 Kg)
Resolution:	+/- 0.2 Lbs (.1 Kg)
Display:	Liquid Crystal Digital
Automatic Power Down:	Two (2) minutes
Size:	5-3/4 L X 3-5/8 W X 4 H
Weight:	.55 Lbs
Power:	Nine (9) Volt Alkaline battery (included)
Battery Life:	Approximately 1500 readings
Temperature Range:	50° To 104°F (10° To 40°C)

5 Assembly

5.1 Assembling the Patient Lift



WARNING

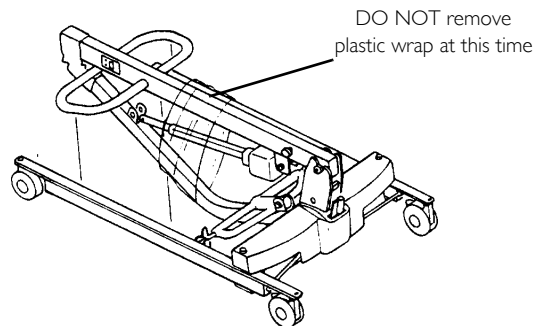
Use only Invacare parts in the assembly of this patient lift. The base legs, the mast, boom, pump assembly and the hanger bar are manufactured to specifications that assure correct alignment of all parts for safe functional operation.

Unpacking the Patient Lift

1. Unpack the components from the shipping carton.



DO NOT remove the plastic wrap that secures the boom to the mast in place. The plastic wrap will be removed in [Assembling the Manual/Hydraulic Pump to the Boom](#) on page 17 or [Assembling the Electric Actuator to the Boom](#) on page 18.



5 ASSEMBLY

Assembling the Mast to the Base

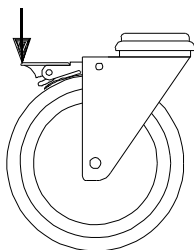
1. If locking-type casters are on the patient lift, lock them.
2. Remove the shoulder bolt, nut and washer, that secures the mast in the U-shape cut-out of the base.
3. Position the mast in an upright position and place the mast into the U-shaped cut-out of the base.
4. Insert shoulder bolt with washers through the base and mast.
5. Secure with nut.



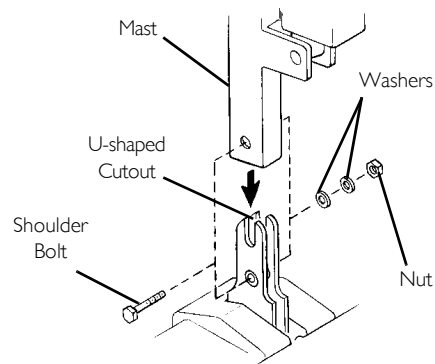
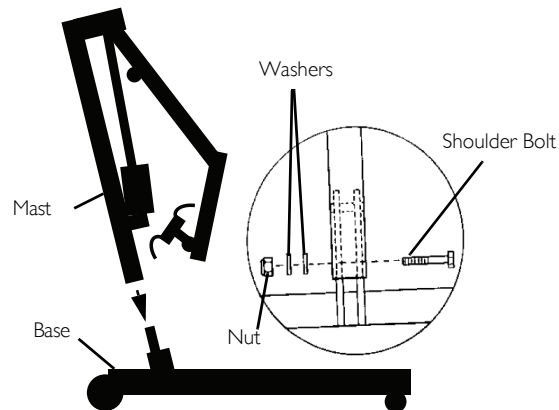
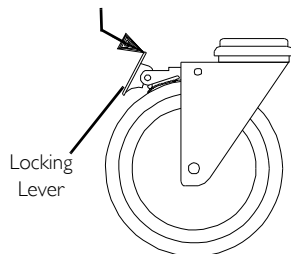
WARNING

The mast may be removed from the base for storage or transporting. Each time the mast is removed and returned to the base, the mast **MUST** be properly secured to the base assembly.

Step here to
LOCK.



Step here to UNLOCK.



Assembling the Manual/Hydraulic Pump to the Boom



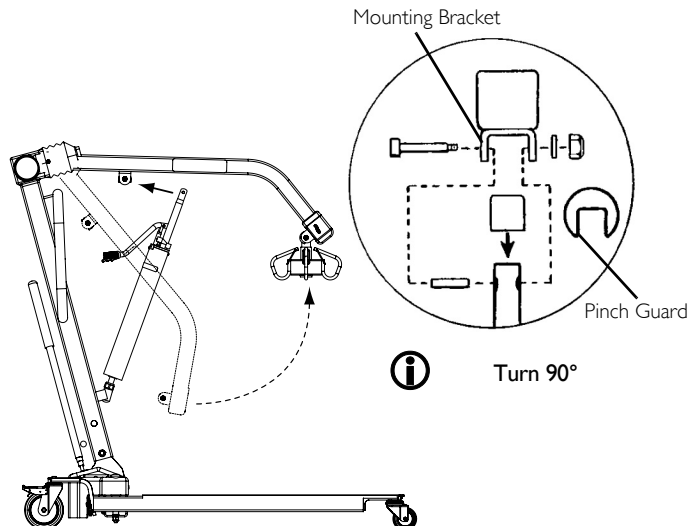
CAUTION

DO NOT overtighten the nut and bolt. This damages the mounting bracket.

1. Remove the shoulder bolt, washer and nut from the mounting bracket on the boom assembly.
 2. Unpack the pinch guard from the patient lift carton.
- i** The bottom of the hydraulic pump assembly will already be assembled to the mast mounting bracket.
3. Cut the plastic-wrap that secures the boom and mast together.
 4. Lift-up on the boom and place it on your left shoulder.
 5. Let the hydraulic pump rest on the right-side of your chest and rotate the shaft extension of the hydraulic pump assembly until it lines-up with the mounting bracket holes in the boom assembly.
 6. Turn the pinch guard 90° and place over the shaft extension of the hydraulic pump.
 7. Align the holes of the boom assembly mounting bracket with those of the hydraulic pump and insert the bolt. Secure with washer and nut.



Be sure that the bolt is completely through the holes of the boom assembly mounting bracket and the manual/hydraulic pump assembly. The boom assembly will pivot easily if the mounting hardware is aligned properly when the boom assembly is secured to the mast.



5 ASSEMBLY

Assembling the Electric Actuator to the Boom



CAUTION

DO NOT overtighten the nut and bolt. This damages the mounting bracket.

1. Remove the shoulder bolt, washer and nut from the mounting bracket on the boom assembly.
2. Unpack the pinch guard from the patient lift carton.



The bottom of the electric actuator assembly will already be assembled to the mast mounting bracket.

3. Cut the plastic-wrap that secures the boom and mast together.
4. Lift-up on the boom and place it on your left shoulder.
5. Let the actuator rest on your right-side of your chest and rotate the shaft extension of the actuator assembly until it lines-up with the mounting holes in the boom assembly.
6. Place the pinch guard over the shaft extension of the actuator.
7. Align the holes of the boom assembly mounting bracket with those of the actuator and insert the bolt. Secure with nut.

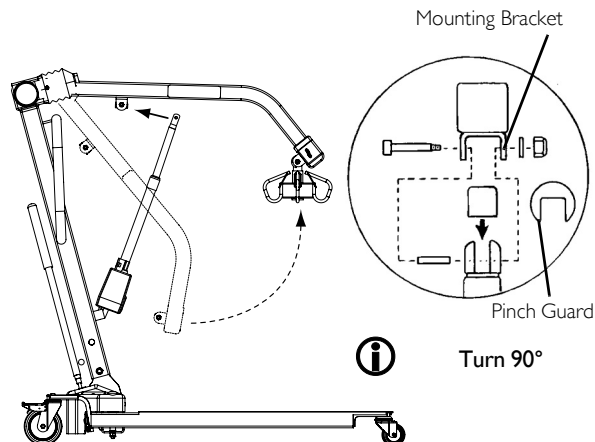


Be sure that the bolt is completely through the holes of the boom assembly mounting bracket and the actuator assembly. The boom assembly will pivot easily if the mounting hardware is aligned properly when the boom assembly is secured to the mast.

8. Plug in the electrical connectors from the electric actuator to the bottom of the battery assembly.
9. Plug the hand control control into the bottom of the battery assembly.

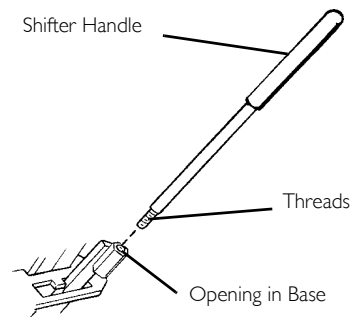


The bottom of the actuator assembly will already be assembled to the mast mounting bracket.



5.2 Installing the Shifter Handle

1. Remove the shifter handle from the packaging carton.
2. Line-up the shifter handle threads with threaded opening in the base.
3. Turn the shifter handle clockwise and securely tighten into the base.



6 Operation

6.1 Operating the Patient Lift



Although Invacare recommends that two assistants be used for all lifting preparation, transferring from and transferring to procedures, our equipment will permit proper operation by one assistant. The use of one assistant is based on the evaluation of the health care professional for each individual case.

Closing/Opening the Legs of the Base Assembly

The shifter handle is used to open or close the legs of the base for stability when lifting a patient.



WARNING

The operation of the patient lift is an easy and safe procedure. **DO NOT** attempt any transfer without approval of the patient's physician, nurse or medical assistant. Thoroughly read the instructions in this Owner's Manual, observe a trained team of experts performing the lifting procedures and then perform the entire lift procedure several times with proper supervision and a capable individual acting as a patient.

The legs of the lift must be in the maximum open position and the shifter handle locked in place for optimum stability and safety. If it is necessary to close the legs of the lift to maneuver the lift under a bed, close the legs of the lift only as long as it takes to position the lift over the patient and lift the patient off the surface of the bed. When the legs of the lift are no longer under the bed, return the legs of the lift to the maximum open position and lock the shifter handle immediately.

Closing the Legs

1. Stand at the rear of the patient lift and grasp the shifter handle with one hand and place the opposite hand on the steering handle of the mast for balance.



The shifter handle **MUST** lock into its mounting slot to lock the legs in the full closed position.



WARNING

If the shifter handle is **NOT** positioned completely into its mounting slot, **DO NOT** use the patient lift until the shifter handle is properly seated and the legs of the patient lift are locked in place. Otherwise, injury and/or damage may occur.

2. Pull the shifter handle away from the patient lift and then to your left until it locks in the notch of the bracket.

Opening the Legs

1. Stand at the rear of the patient lift and grasp the shifter handle with one hand and place the opposite hand on the steering handle of the mast for balance.



The shifter handle **MUST** lock into its mounting slot to lock the legs in the full open position.

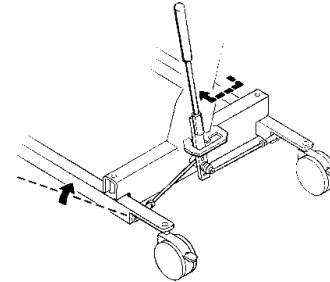


WARNING

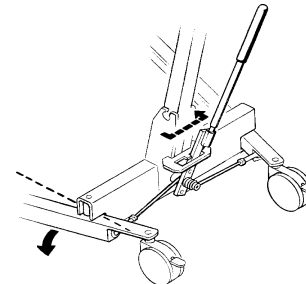
If the shifter handle is not positioned completely into its mounting slot, **DO NOT** use the patient lift until shifter handle is properly seated and the legs of the patient lift are locked in place. Otherwise, injury and/or damage may occur.

2. Pull the shifter handle away from the patient lift and then to your right.

Closing the Legs



Opening the Legs



6 OPERATION

Raising/Lowering a Manual/Hydraulic Lift



WARNING

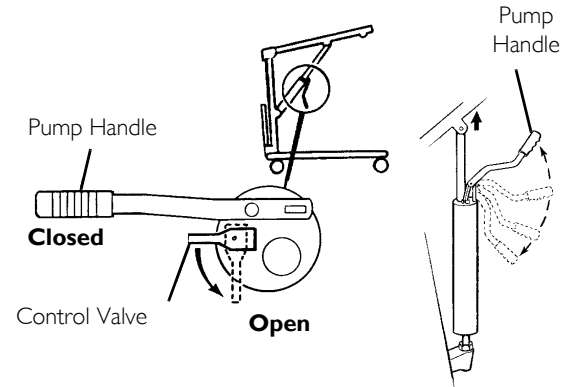
Invacare does not recommend locking of the rear casters of the patient lift when lifting an individual. Doing so could cause the lift to tip and endanger the patient and assistants. Invacare does recommend that the rear casters be left unlocked during lifting procedures to allow the patient lift to stabilize itself when the patient is initially lifted from a chair, bed or any stationary object.

There are two controls on the pump assembly:

- The control valve
- The pump handle

Raising the Hydraulic Lift

The control valve must be in the closed position (control valve positioned towards pump handle) to move the pump handle up and down to elevate the boom and the patient until the boom locks in the notch of the bracket.



Lowering the Hydraulic Lift

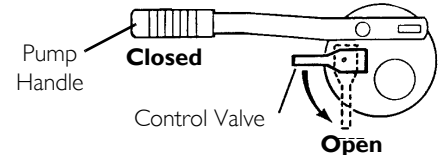
The control handle **MUST** be in the open position (control valve positioned away from pump handle) to lower the boom and the patient. The rate of descent can be controlled by varying the amount that the control valve is opened.



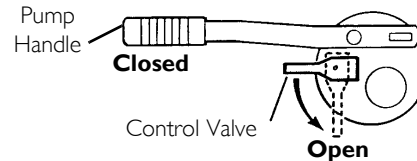
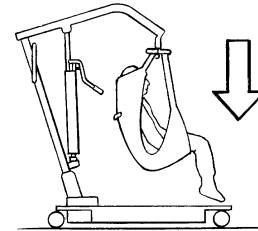
A safety gate is part of the hydraulic system that controls the maximum descent of the boom regardless of how far the control valve is opened.

I. Perform one of the following:

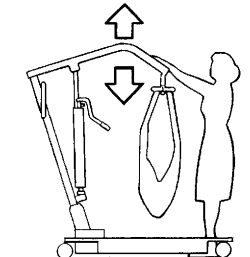
- **WITH** the patient in a sling - Gently open the control valve. See Detail "A".
- **WITHOUT** the patient in a sling - Open the control valve and pull down on the boom. See Detail "B".



Open
DETAIL "A" -
WITH PATIENT
IN THE SLING



DETAIL "B" -
WITHOUT
PATIENT
IN THE SLING



6 OPERATION

Raising/Lowering an Electric Lift



WARNING

Invacare does not recommend locking of the rear casters of the patient lift when lifting an individual. Doing so could cause the lift to tip and endanger the patient and assistants. Invacare does recommend that the rear casters be left unlocked during lifting procedures to allow the patient lift to stabilize itself when the patient is initially lifted from a chair, bed or any stationary object.

Raising the Lift

Press the UP (↑) button to raise the boom and the patient.

Lowering the Lift

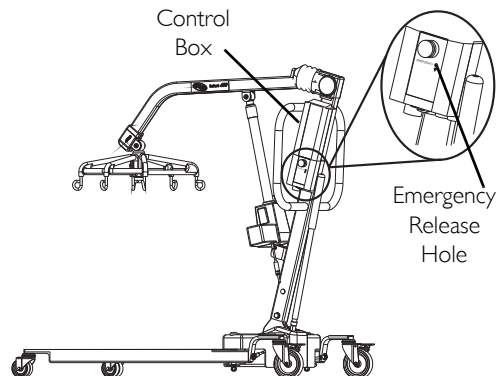
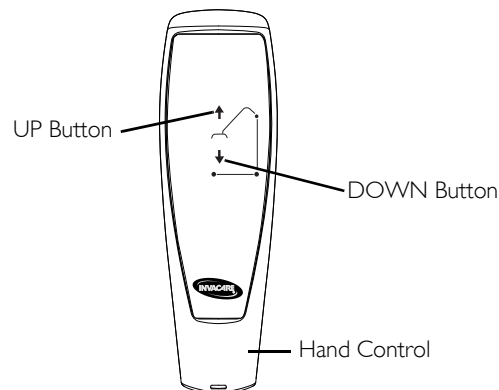
Press the DOWN (↓) button to lower the boom and the patient.

Activating a Mechanical Emergency Release

Primary Emergency Release

To activate the primary emergency release, insert a pen into the hole labeled “emergency” on the control box of the lift and push down on the boom at the same time.

All lift actuators are equipped with a mechanical Emergency release. The mechanical release will enable the actuator to retract without power. The actuator will only retract while under load and the mechanical Emergency release is pulled. The release is colored reddish orange with the word Emergency spelled out in white.



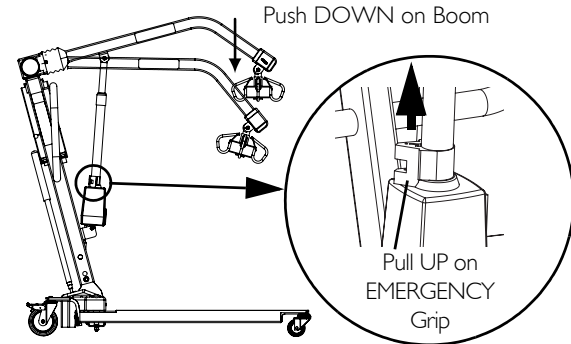
Secondary Emergency Release



It is recommended that the primary emergency release be used. The secondary emergency release is only a back-up to the primary emergency release.

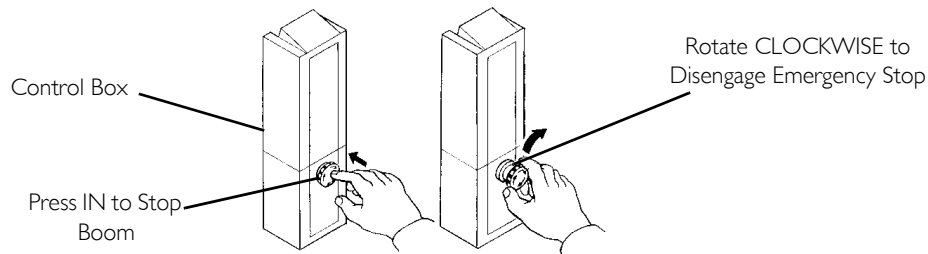
In cases where the primary release is either not functioning or unreachable, a secondary emergency release may be used.

To activate the secondary release, pull up on the EMERGENCY grip and push down on the boom at the same time.



Performing an Emergency Stop

Press the RED button on the control box in to stop the lift arms and patient from raising or lowering.



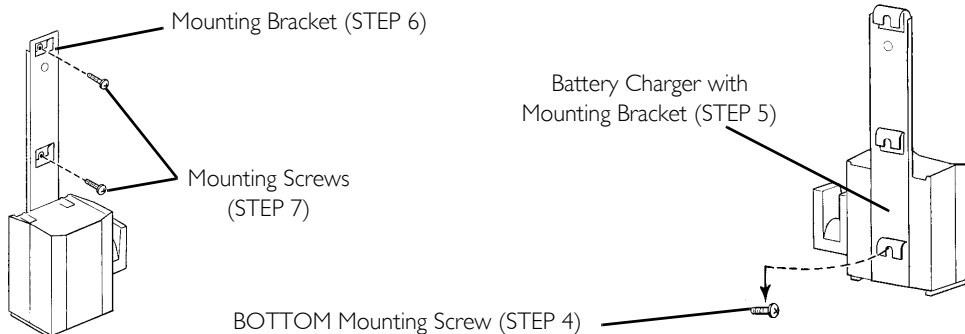
6 OPERATION

6.2 Mounting the Battery Charger

i Refer to your local regulations concerning proper mounting procedures.

1. Place the battery charger with mounting bracket on the wall at the desired position.
2. With a pencil, mark the middle hole position.
3. Measure down 6½ inches from the pencil mark and drill one mounting hole.
4. Install the bottom mounting screw until there is an approximate 1/8-inch gap between the screw head and the wall.
5. Install the battery charger with mounting bracket onto the bottom mounting screw.
6. Drill the remaining two mounting holes.
7. Install the two remaining mounting screws through the mounting bracket and into the wall. Tighten securely.
8. Plug the battery charger into the wall electrical outlet.

i ON LED should illuminate.



Charging the Battery

- i** Invacare recommends the battery be recharged daily to prolong battery life.
An audible alarm will sound (horn will beep) when battery is low.

1. Lift up on the handle on the back of the battery.
2. Lift the battery up and out away from the control box.



CAUTION

Make sure there is an audible click when mounting battery on the battery charger to confirm proper mounting. Otherwise, injury or damage may occur.

3. Place the battery on the battery charger as shown. Make sure there is an audible click.



The charge LED will illuminate. When charging is complete, charge LED will stop illuminating.
A battery needing to be fully recharged will take approximately four hours.

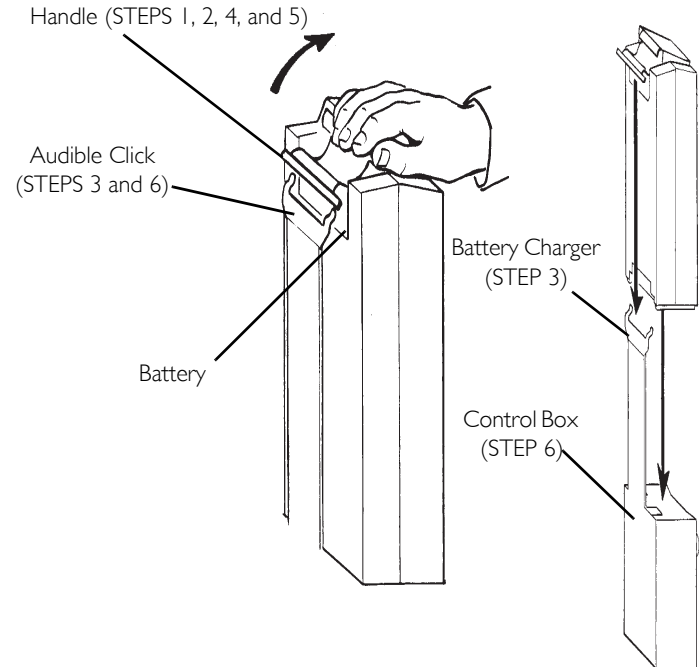
4. Lift up on the handle on the back of the battery.
5. Lift the battery up and out away from the battery charger.



CAUTION

Make sure there is an audible click when mounting battery on the battery charger to confirm proper mounting. Otherwise, injury or damage may occur.

6. Reinstall the battery onto the control box as shown. Make sure there is an audible click.



The Battery mounts to the Control Box and Battery Charger as shown.

7 Lifting the Patient

7.1 Preparing the Lift for Use

- ⓘ Although Invacare recommends that two assistants be used for all lifting preparation, transferring from and transferring to procedures, our equipment will permit proper operation by one assistant. The use of one assistant is based on the evaluation of the health care professional for each individual case.

Positioning the Lift for Use

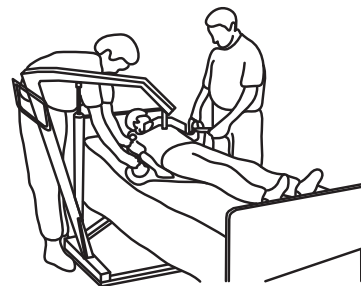
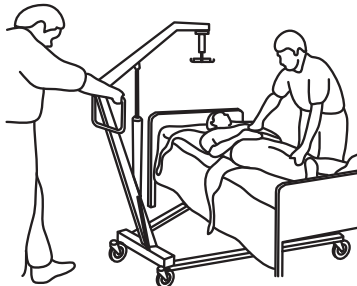
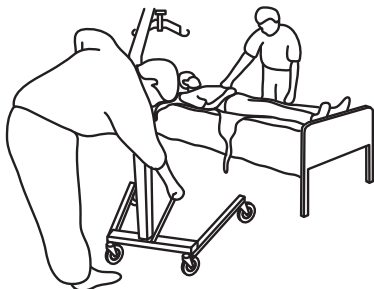
- ⓘ Refer to Safety on page 7 in this manual before proceeding further and observe all warnings indicated. Before positioning the legs of the patient lift under a bed, make sure that the area is clear of any obstructions.



WARNING

The legs of the lift must be in the maximum open position and the shifter handle locked in place for optimum stability and safety. If it is necessary to close the legs of the lift to maneuver the lift under a bed, close the legs of the lift only as long as it takes to position the lift over the patient and lift the patient off the surface of the bed. When the legs of the lift are no longer under the bed, return the legs of the lift to the maximum open position and lock the shifter handle immediately.

1. With the legs of the base open and locked, use the steering handle to push the patient lift into position.
2. Lower the patient lift for easy attachment of the sling.



Attaching Slings to the Lift

Attaching Slings Using Color Coded Straps

1. Place the straps of the sling over hooks of the hanger bar.
2. Match the corresponding colors on each side of the sling for an even lift of the patient.

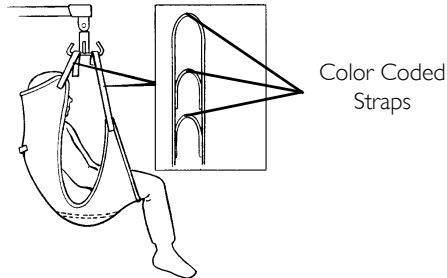


Model Nos. R110 - R117 Full Body Slings and Model Nos. R120 - R122 Toileting Slings have four sling straps. Model Nos. R100 - R102 Divided Leg Slings have six sling straps.

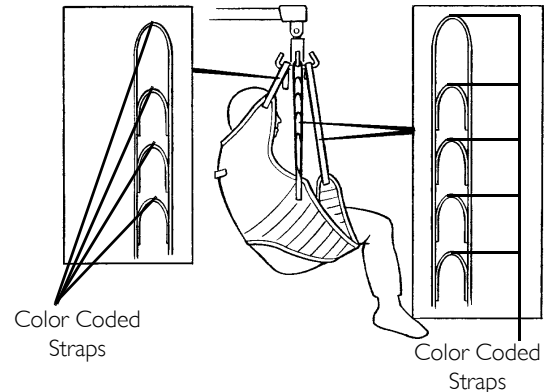
Invacare Lift Hanger Bars have three hookup points per side. The middle hookup is **ONLY** used for slings that have three sets of straps per side.

3. Use the lift. Refer to [Lifting/Moving the Patient](#) on page 30.

DETAIL “A” - FULL BODY OR HEAVY DUTY SLING WITH OR WITHOUT COMMODE OPENING (FOUR STRAPS ONLY)



DETAIL “B” - DIVIDED LEG SLING WITH COMMODE OPENING (SIX STRAPS)



7 LIFTING THE PATIENT

7.2 Lifting/Moving the Patient



For this procedure, refer to FIGURE 7.1 on page 31.

DO NOT engage the rear locking casters when patient is in the lift.

1. Pump the lift handle or press the UP (↑) button to raise the patient above the bed. The patient should be elevated high enough to clear the bed with their weight fully supported by the lift.



On manual/hydraulic lift, the boom will stay in position until the control valve is opened. On the electric lift, the boom will stay in position until the DOWN (↓) button is pressed.

2. When the patient is lifted from the bed (with the patient's head supported by the sling and/or an assistant), he/she will be raised to a sitting position (Detail "A").



WARNING

When the sling is elevated a few inches off the surface of the bed and before moving the patient, check again to make sure that the sling is properly connected to the hooks of the hanger bar. If any attachments are NOT properly in place, lower the patient back onto the stationary surface and correct this problem - otherwise, injury or damage may occur.

Adjustments for safety and comfort should be made before moving the patient. Patient's arms should be inside of the straps.

Invacare slings are made specifically for use with Invacare Patient Lifts. For the safety of the patient, DO NOT use slings and patient lifts of different manufacturers.

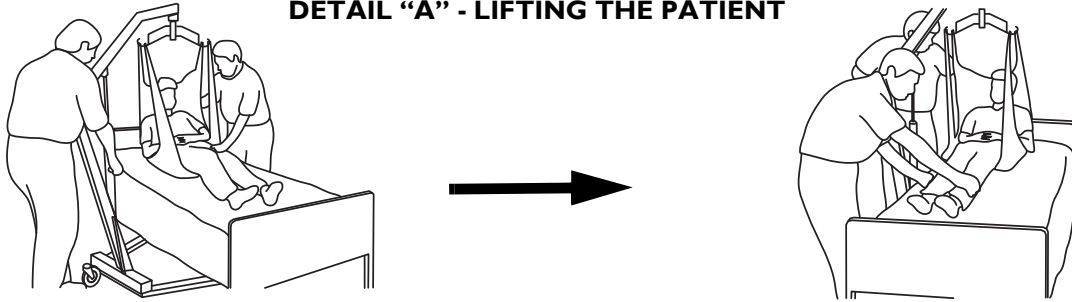
3. When the patient is clear of the bed surface, swing their feet off the bed (Detail "B").
4. Using the steering handle, move the lift away from the bed.
5. When moving the patient lift away from the bed, turn the patient so that he/she faces assistant operating the patient lift (Detail "C").
6. Press the DOWN (↓) button (electric) or open the control valve (manual/hydraulic) lowering patient so that his feet rest on the base of the lift, straddling the mast. Close the control valve.



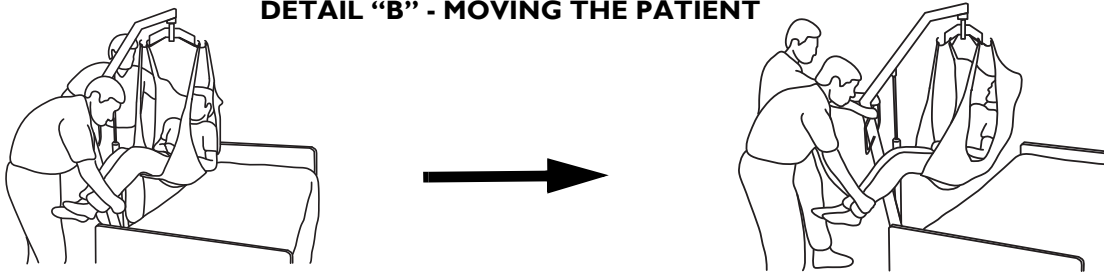
The lower center of gravity provides stability making the patient feel more secure and the lift easier to move.

7. Pull the patient lift away from the bed and then push it from behind with both hands firmly on the steering handle.

DETAIL "A" - LIFTING THE PATIENT



DETAIL "B" - MOVING THE PATIENT



DETAIL "C" - MOVING THE PATIENT LIFT AWAY FROM THE BED



FIGURE 7.1 Lifting/Moving the Patient

8 Transferring the Patient

8.1 Transferring the Patient for Using a Commode Chair or Standard Commode



Although Invacare recommends that two assistants be used for all lifting preparation, transferring from and transferring to procedures, our equipment will permit proper operation by one assistant. The use of one assistant is based on the evaluation of the health care professional for each individual case.

The slings with commode openings are designed to be used with either a commode chair or standard commode.



Invacare recommends that the sling remain connected to the hanger bar hooks during the patient's use of either the commode chair or standard commode.

Although Invacare recommends that two assistants be used for all lifting preparation, transferring from and transferring to procedures, our equipment will permit proper operation by one assistant. The use of one assistant is based on the evaluation of the health care professional for each individual case.



WARNING

When the sling is a few inches off the surface of the bed and before moving the patient, check again to make sure that the sling is properly connected to the hooks of the hanger bar. If any attachments are NOT properly in place, lower the patient back onto the stationary surface and correct this problem - otherwise, injury or damage may occur.

Adjustments for safety and comfort should be made before moving the patient. The patient's arms should be inside the straps.

Invacare slings are made specifically for use with Invacare Patient Lifts. For the safety of the patient, DO NOT use slings and patient lifts of different manufacturers.

Invacare does NOT recommend locking the rear casters of the patient lift when lifting an individual. Doing so could cause the lift to tip and endanger the patient and assistants. Invacare DOES recommend that the rear casters be left unlocked during lifting procedures to allow the patient lift to stabilize itself when the patient is initially lifted from a chair, bed or any stationary object.

The legs of the lift must be in the maximum open position and the shifter handle locked in place for optimum stability and safety. If it is necessary to close the legs of the lift to maneuver the lift under a bed, close the legs of the lift only as long as it takes to position the lift over the patient and lift the patient off the surface of the bed. When the legs of the lift are no longer under the bed, return the legs of the lift to the maximum open position and lock the shifter handle immediately.

Transferring to a Commode Chair

1. Before lifting the patient from the bed, refer to [Attaching Slings to the Lift](#) on page 29. For operation of the patient lift, refer to [Operation](#) on page 20.
2. The patient should be elevated high enough to clear the commode chair arms and have their weight supported by the patient lift.
3. With the help of both assistants, guide the patient onto the commode chair.
4. Lower the patient onto the commode chair leaving the sling attached to the hanger bar hooks.
5. When complete, recheck for correct attachment and then raise the patient off the commode chair.
6. When patient is clear of the commode surface (using the steering handles), move the lift away from the commode chair.
7. To return the patient to bed, reverse the procedures for lifting the patient, operation and sling attachment.
8. To return or place the patient in a wheelchair, refer to [Transferring to a Wheelchair](#) on page 36.

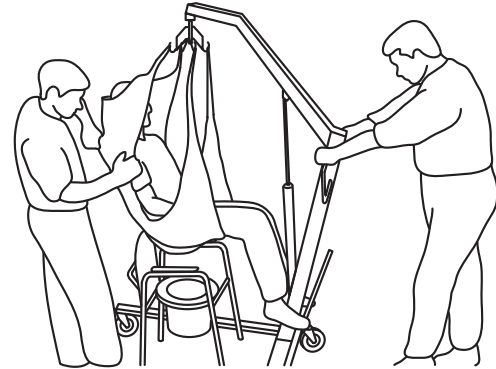


FIGURE 8.1 Transferring to a Commode Chair

8 TRANSFERRING THE PATIENT

Transferring to a Standard Commode



Although Invacare recommends that two assistants be used for all lifting preparation, transferring from and transferring to procedures, our equipment will permit proper operation by one assistant. The use of one assistant is based on the evaluation of the health care professional for each individual case.

The Invacare patient lift is NOT intended as a transport device. If the bathroom facilities are NOT near the bed or if the patient lift cannot be easily maneuvered towards the commode, then the patient MUST be transferred to a wheelchair and transported to the bathroom facilities before using the patient lift again to position the patient on a standard commode. Refer to [Transferring to a Wheelchair](#) on page 36.

Before transferring the patient, the patient lift should be guided to the bathroom facilities to check that it can be easily maneuvered towards the commode.

1. Before lifting the patient from the bed, refer to [Attaching Slings to the Lift](#) on page 29. For operation of the patient lift, refer to [Operation](#) on page 20.
2. Transport the patient to the bathroom facility.
3. The patient should be elevated high enough to clear the standard commode and have their weight supported by the patient lift.
4. With the help of both assistants, guide the patient onto the standard commode.
5. Lower the patient onto the standard commode leaving the sling attached to the hanger bar hooks.
6. When complete, recheck for correct attachment and then raise the patient off the standard commode.
7. When patient is clear of the standard commode surface (using the steering handle), move the lift away from the standard commode.
8. To return or place patient in a wheelchair, refer to [Transferring to a Wheelchair](#) on page 36.
9. To return the patient to bed, reverse the procedures for lifting the patient, operation and sling attachment.

8.2 Transferring to a Bathing Unit



Although Invacare recommends that two assistants be used for all lifting preparation, transferring from and transferring to procedures, our equipment will permit proper operation by one assistant. The use of one assistant is based on the evaluation of the health care professional for each individual case.



WARNING

When the sling is elevated a few inches off the surface of the bed and before moving the patient, check again to make sure that the sling is properly connected to the hooks of the hanger bar. If any attachments are NOT properly in place, lower the patient back onto the stationary surface and correct this problem - otherwise, injury or damage may occur.

Adjustments for safety and comfort should be made before moving the patient. The patient's arms should be inside the straps.

Invacare slings are made specifically for use with Invacare Patient Lifts. For the safety of the patient, DO NOT use slings and patient lifts of different manufacturers.

Invacare does NOT recommend locking the rear casters of the patient lift when lifting an individual. Doing so could cause the lift to tip and endanger the patient and assistants. Invacare DOES recommend that the rear casters be left unlocked during lifting procedures to allow the patient lift to stabilize itself when the patient is initially lifted from a chair, bed or any stationary object.

The legs of the lift must be in the maximum open position and the shifter handle locked in place for optimum stability and safety. If it is necessary to close the legs of the lift to maneuver the lift under a bed, close the legs of the lift only as long as it takes to position the lift over the patient and lift the patient off the surface of the bed. When the legs of the lift are no longer under the bed, return the legs of the lift to the maximum open position and lock the shifter handle immediately.



There are many portable bathing apparatuses; this is an example of one. Refer to your particular portable bath instructions and use them in conjunction with this Owner's Manual.

1. Before lifting the patient from the bed, refer to [Attaching Slings to the Lift](#) on page 29. For operation of the patient lift, refer to [Operation](#) on page 20.
2. The patient should be elevated high enough to clear the bed and be able to slide the portable bath tub under the patient.
3. Lower the patient into the portable bath tub.
4. Detach the sling from the hanger bar hooks and attach the portable bath tub straps to the patient lift.
5. Using the lift, raise the sides of the portable bath tub.
6. Bathe the patient.
7. Reverse the procedures to return the patient to bed.

8 TRANSFERRING THE PATIENT

8.3 Transferring to a Wheelchair



WARNING

When the sling is elevated a few inches off the surface of the bed and before moving the patient, check again to make sure that the sling is properly connected to the hooks of the hanger bar. If any attachments are NOT properly in place, lower the patient back onto the stationary surface and correct this problem - otherwise, injury or damage may occur.

Adjustments for safety and comfort should be made before moving the patient. The patient's arms should be inside of the straps.

Invacare slings are made specifically for use with Invacare Patient Lifts. For the safety of the patient, DO NOT use slings and patient lifts of different manufacturers.

Invacare does NOT recommend locking the rear casters of the patient lift when lifting an individual. Doing so could cause the lift to tip and endanger the patient and assistants. Invacare DOES recommend that the rear casters be left unlocked during lifting procedures to allow the patient lift to stabilize itself when the patient is initially lifted from a chair, bed or any stationary object.

Before transferring, check that the wheelchair weight capacity can withstand the patient's weight.

The legs of the lift must be in the maximum open position and the shifter handle locked in place for optimum stability and safety. If it is necessary to close the legs of the lift to maneuver the lift under a bed, close the legs of the lift only as long as it takes to position the lift over the patient and lift the patient off the surface of the bed. When the legs of the lift are no longer under the bed, return the legs of the lift to the maximum open position and lock the shifter handle immediately.



For this procedure, refer to FIGURE 8.2 on page 37.

Before lifting the patient from the bed, refer to [Attaching Slings to the Lift](#) on page 29. For operation of the patient lift, refer the section [Operation](#) on page 20.

Although Invacare recommends that two assistants be used for all lifting preparation, transferring from and transferring to procedures, our equipment will permit proper operation by one assistant. The use of one assistant is based on the evaluation of the health care professional for each individual case.

1. Ensure the legs of the lift (with patient) are in the open position.
2. Move the wheelchair into position.
3. Engage the rear wheel locks of the wheelchair to prevent movement of the chair.



WARNING

The wheelchair wheel locks MUST be in a locked position before lowering the patient into the wheelchair for transport.

8 TRANSFERRING THE PATIENT



Use the straps or handles on the side and the back of the sling to guide the patient's hips as far back as possible into the seat for proper positioning.

4. Position the patient over the seat with their back against the back of the chair.
5. Begin to lower the patient either by opening the control valve or by pressing the DOWN (↓) button.
6. With one assistant behind the chair and the other operating the patient lift, the assistant behind the chair will pull back on the grab handle (on select models) or sides of the sling to seat the patient well into the back of the chair. This will maintain a good center of balance and prevent the chair from tipping forward.
7. Leave the sling in place.



Remove only if a divided leg sling was used.

8. To return to the seating surface, reverse procedures for lifting the patient, operation and sling attachments.



WARNING

Be sure to check the sling attachments each time the sling is removed and replaced to ensure that it is properly attached before the patient is removed from the bed or chair.

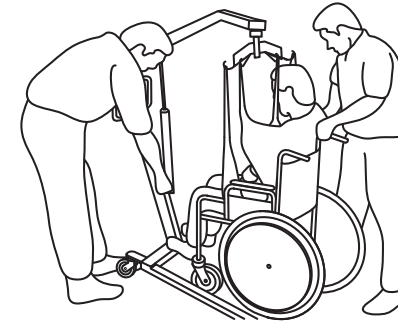
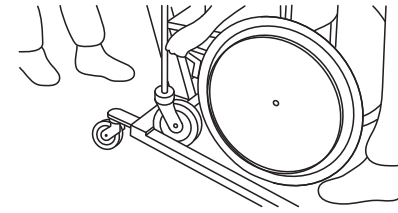
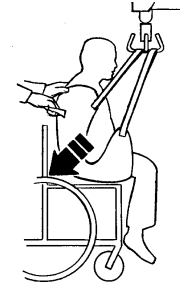


FIGURE 8.2 Transferring to a Wheelchair

9 Troubleshooting

SYMPTOMS	FAULTS	SOLUTION
Patient lift feels loose.	Mast/Base joint loose. Tie - Rods are loose.	Refer to <u>Assembly</u> on page 15. Refer to <u>Maintaining the Base Adjustment</u> on page 48.
Casters/Brakes noisy or stiff.	Fluff or debris in bearings.	Refer to <u>Replacing Casters/Forks</u> on page 48.
Noisy or dry sound from pivots.	Needs lubrication.	Refer to <u>Lubricating the Lift</u> on page 43.
Oil leaking from hydraulics.	Hydraulic pump in need of replacement.	Refer to <u>Replacing a Manual/Hydraulic Pump</u> on page 44 and <u>Replacing the Electric Actuator</u> on page 45. Contact your Dealer.
Manual / Hydraulic pump fails to lift when pumped.	Control Valve not fully closed. Manual / Hydraulic pump in need of replacement.	Close Control Valve. Refer to <u>Replacing a Manual/Hydraulic Pump</u> on page 44 and <u>Replacing the Electric Actuator</u> on page 45. Contact your Dealer. Check connections.

SYMPTOMS	FAULTS	SOLUTION
Electric actuator fails to lift when button is pressed.	<p>Hand-control or actuator connector loose.</p> <p>Battery low.</p> <p>RED emergency stop button pressed IN.</p> <p>Battery not connected properly to control box.</p> <p>The connecting terminals are damaged.</p> <p>Electric actuator in need of service or load is too high.</p>	<p>Charge batteries. Refer to <u>Charging the Battery</u> on page 27.</p> <p>Rotate RED emergency stop button CLOCKWISE until it pops out.</p> <p>Reconnect the battery to the control box. Refer to <u>Charging the Battery</u> on page 27.</p> <p>Replace the battery pack. Refer to <u>Charging the Battery</u> on page 27.</p> <p>Refer to <u>Replacing a Manual/Hydraulic Pump</u> on page 44 and <u>Replacing the Electric Actuator</u> on page 45. Contact your Dealer.</p>
Unusual noise from actuator.	Actuator is worn or damaged or spindle is bent.	Refer to <u>Replacing a Manual/Hydraulic Pump</u> on page 44 and <u>Replacing the Electric Actuator</u> on page 45. Contact your Dealer.
Lift arms will not lower in uppermost position.	Lift arms require a minimum weight load to lower from the uppermost position.	Pull down slightly on the lift arms.
Lift arms will not lower during a power retraction.	Shoulder bolt at the junction of the boom and mast may not be properly installed.	Refer to <u>Checking and Tightening Mast Pivot Bolt</u> on page 46.



If problems are not remedied by the suggested means, please contact your dealer or Invacare.

10 Maintenance

10.1 Maintenance Safety Inspection Checklist

ITEM	INITIALLY	INSTITUTIONAL INSPECT/ADJUST MONTHLY	IN-HOME INSPECT EVERY SIX (6) MONTHS
THE CASTER BASE Inspect for missing hardware. Base opens/closes with ease. Inspect casters and axle bolts for tightness. Inspect casters for smooth swivel and roll. Inspect and clear wheels of debris.	X X X X X	X X X X X	X X X X X
SHIFTER HANDLE Operates smoothly. Locks adjustable base whenever engaged.	X X	X X	X X
THE MAST Mast MUST be securely assembled to boom. Inspect for bends or deflections.	X X	X X	X X

ITEM	INITIALLY	INSTITUTIONAL INSPECT/ADJUST MONTHLY	IN-HOME INSPECT EVERY SIX (6) MONTHS
<p>THE BOOM</p> <p>Check all hardware and hanger bar supports.</p> <p>Inspect for bends or deflections.</p> <p>Inspect bolted joints of boom for wear.</p> <p>Inspect to ensure that the boom is centered between the base legs.</p> <p>Check the mast pivot bolt under the rubber boot. Ensure that the bolt is tightly secured.</p>	<p>X</p> <p>X</p> <p>X</p> <p>X</p> <p>X</p>	<p>X</p> <p>X</p> <p>X</p> <p>X</p> <p>X</p>	<p>X</p> <p>X</p> <p>X</p> <p>X</p> <p>X</p>
<p>THE HANGER bar</p> <p>Check the bolt / hooks for wear or damage.</p> <p>Check sling hooks for wear or deflection.</p>	<p>X</p> <p>X</p>	<p>X</p> <p>X</p>	<p>X</p> <p>X</p>
<p>THE MANUAL/HYDRAULIC PUMP/ELECTRIC ACTUATOR ASSEMBLY</p> <p>Check for leakage.</p> <p>Inspect hardware on mast and boom.</p> <p>Check for wear or deterioration.</p> <p>(IF DAMAGED, RETURN TO FACTORY).</p> <p>Cycle to ensure smooth quiet operation.</p>	<p>X</p> <p>X</p> <p>X</p> <p>X</p>	<p>X</p> <p>X</p> <p>X</p> <p>X</p>	<p>X</p> <p>X</p> <p>X</p> <p>X</p>
<p>THE PUMP HANDLE</p> <p>Check for smooth operation.</p>	<p>X</p>	<p>X</p>	<p>X</p>

10 MAINTENANCE

ITEM	INITIALLY	INSTITUTIONAL INSPECT/ADJUST MONTHLY	IN-HOME INSPECT EVERY SIX (6) MONTHS
THE CONTROL VALVE Opens and closes easily.	X	X	X
CLEANING Whenever necessary.	X	X	X
SLINGS AND HARDWARE CHECK ALL SLING ATTACHMENTS each time it is used to ensure proper connection and patient safety. Inspect sling material for wear. Inspect straps for wear.	X X X	X X X	X X X



For individual home use, a full inspection is required prior to each new user.

Regular cleaning will reveal loose or worn parts, enhance smooth operation and extend the life expectancy of the lift.

Follow the maintenance procedures described in this manual to keep your patient lift in continuous service.

The Invacare Patient Lift is designed to provide a maximum of safe, efficient and satisfactory service with minimum care and maintenance.

All parts of the Invacare Lift are made of the best grades of steel, but metal to metal contact will wear after considerable use.

There is no adjustment or maintenance of either the casters or brakes, other than cleaning, lubrication and checking axle and swivel bolts for tightness. Remove all debris, etc. from the wheel and swivel bearings. If any parts are worn, replace these parts immediately.

If you question the safety of any part of the lift, contact your Dealer immediately and advise him/her of your problem.

10.2 Lubricating the Lift

The Invacare lift is designed for minimum maintenance. However, a six month check and lubrication should ensure continued safety and reliability. Keep lift and slings clean and in good working order. Any defect should be noted and reported to your dealer as soon as possible.

The casters MUST swivel and roll smoothly. A light grease (waterproof auto lubricant) may be applied to the ball bearing swivel of the casters once a year. Apply more frequently if the casters are exposed to extreme moist conditions.

Refer to FIGURE 10.1 for lubrication points. Lubricate all pivot points. Wipe all excess lubricant from lift surface.

- 1. Hanger Bar
- 2. Boom Mounting Bracket
- 3. Boom/Mast Mount
- 4. Mast Mounting Bracket

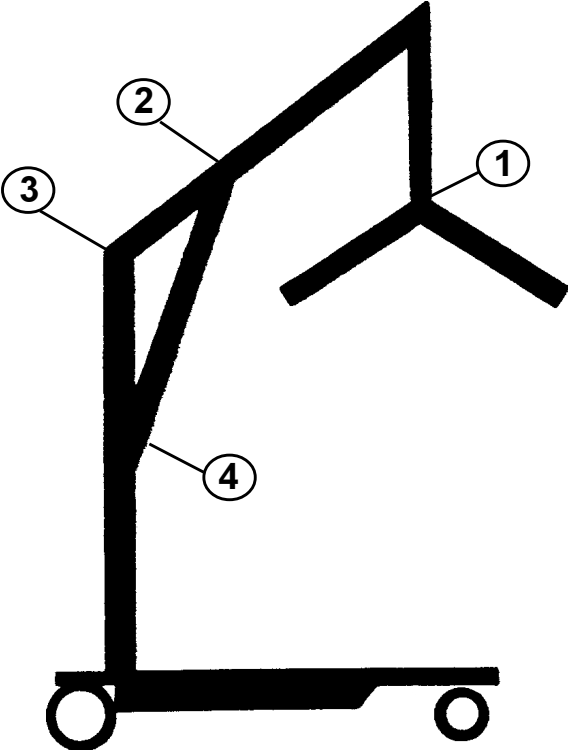


FIGURE 10.1 Lubricating the Lift

10 MAINTENANCE

10.3 Detecting Wear and Damage

It is important to inspect all stressed parts, such as slings, hanger bar and any pivot for slings for signs of cracking, fraying, deformation or deterioration. Replace any defective parts immediately and ensure that the lift is not used until repairs are made.

10.4 Cleaning the Sling and the Lift

The sling should be regularly washed in water, temperature not to exceed 180°F (82°C), and a biocidal (anti-biological) solution. A soft cloth, dampened with water and a small amount of mild detergent, is all that is needed to clean the patient lift. The lift can be cleaned with non-abrasive cleaners.

10.5 Maintaining the Manual/Hydraulic Pump



For this procedure, refer to FIGURE 10.2 on page 45.

All parts of the Manual/Hydraulic Pump are precision machined, then carefully assembled and tested to ensure reliable service. The pump assembly is completely enclosed and sealed with neoprene rings to prevent leakage of hydraulic oil. A small amount of oil (about a drop) will accumulate around the piston from time to time and should be removed with a facial tissue.



WARNING

The pump is sealed at the factory. **DO NOT** attempt to open the pump or obtain local service as this will void the warranty and might result in damage and costly repair. Consult your dealer or write Invacare for further information.

Replacing a Manual/Hydraulic Pump

1. Loosen the nut that secures the ball of the pump into the mounting socket.
2. Rest the boom on your shoulder and remove the nut, bolt, plastic bushing and pinch guard from the boom mounting bracket.
3. Remove the pump assembly.
4. Reverse steps for installation.



CAUTION

DO NOT overtighten the nut and bolt. This damages the mounting bracket.

Replacing the Electric Actuator

- 1. Remove the nut, washer and shoulder bolt that secure the electric actuator to the mast mounting bracket.
- 2. Rest the boom on your shoulder and remove the nut, bolt, plastic bushing and pinch guard from the boom mounting bracket.
- 3. Remove the electric actuator assembly.
- 4. Reverse steps for installation.



CAUTION

DO NOT overtighten the nut and bolt. This damages the mounting bracket.

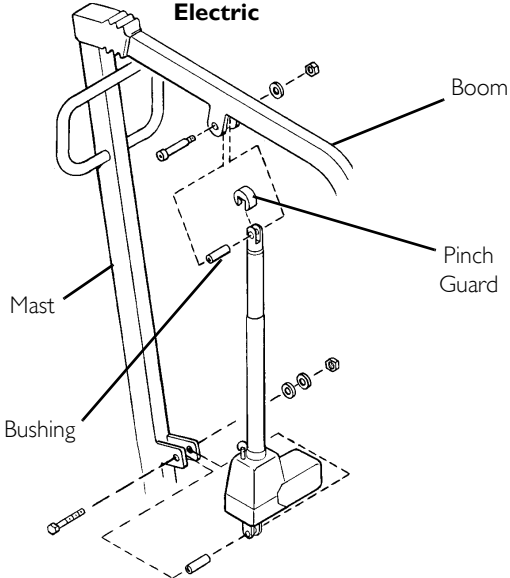
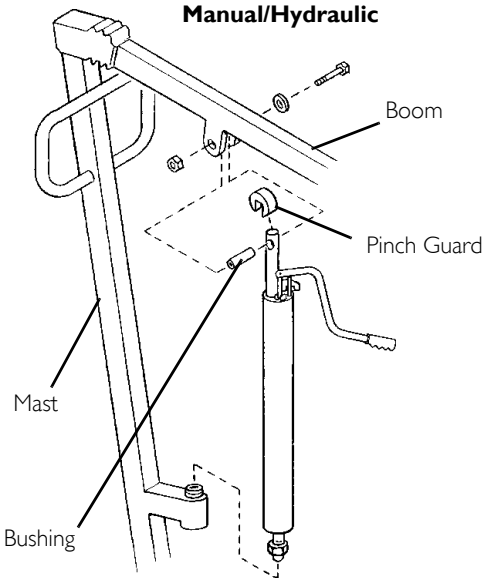
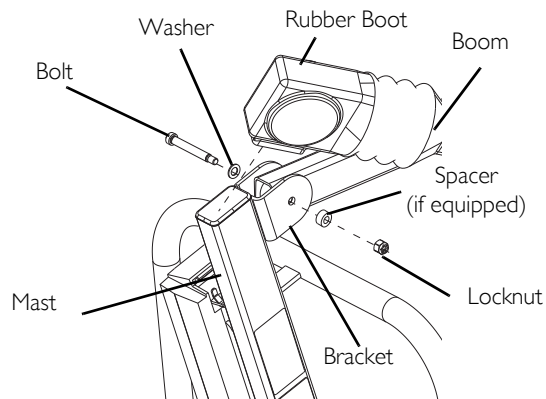


FIGURE 10.2 Maintaining the Manual/Hydraulic Pump - Replacing a Manual/Hydraulic Pump - Replacing the Electric Actuator

10 MAINTENANCE

Checking and Tightening Mast Pivot Bolt

1. Lift up the back of the rubber boot and slide it off the mast along the boom.
2. Check that the bolt is through the bracket and the locknut is tight and secure.
3. If needed, do one or more of the following:
 - tighten locknut and back-off the locknut 1/8 of a turn.
 - replace the locknut.
4. Reposition the rubber boot.



10.6 Replacing the Hanger Bar



WARNING

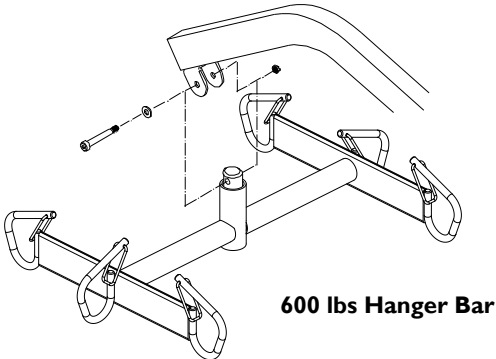
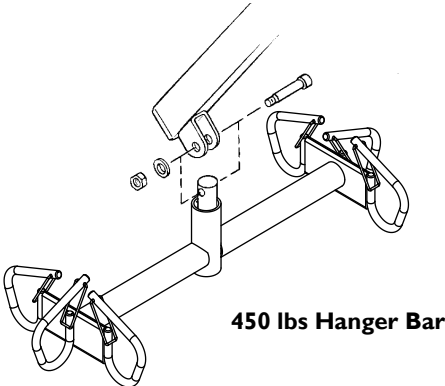
After the first year of use, the hooks of the hanger bar and mounting brackets of the boom should be inspected every six months to determine the extent of wear. If these parts become worn, replacement must be made.

- 1. The hanger bar comes attached to the boom with bolt, nut, washers, and pinch guard.
 - ⓘ Washers should be placed against both sides of the boom mounting bracket to eliminate damage.The hanger bar has three hooks on both ends to attach the sling that supports the patient during lift.
- 2. Remove existing hardware and replace the hanger bar.



CAUTION

DO NOT overtighten the nut and bolt. This damages the mounting bracket.

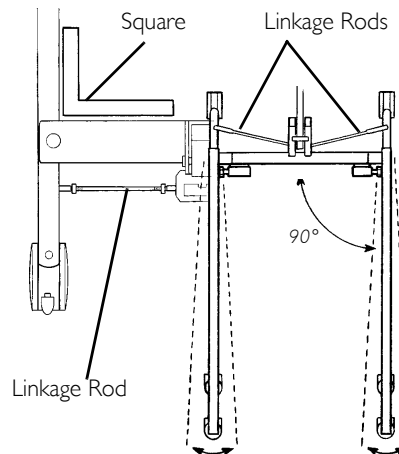


10 MAINTENANCE

10.7 Maintaining the Base Adjustment

The base adjustment should not require any attention other than:

1. Check the squareness of the legs when in the closed position.
2. Place a square on the inside of the legs and base to determine the 90° alignment.
3. Adjust the linkage rods until 90° alignment is achieved.



10.8 Replacing Casters/Forks

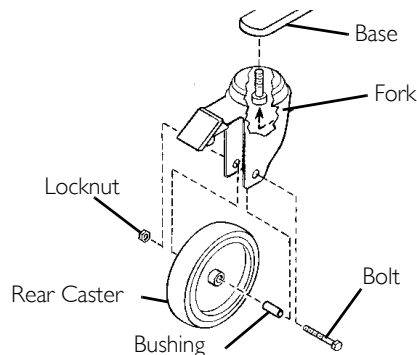
Replacing Rear Casters

1. Place the lift on its side.
2. Remove the bolt and locknut that secure the existing rear caster to the fork.



The bushing will be loose and may fall out of the caster. Existing bushing will be reused. Examine and replace if worn.

3. Install the new/existing bushing into the new rear caster.
4. Line up the mounting holes in the new rear caster and the fork.
5. Install the bolt through the fork and new rear caster and tighten securely with the locknut.



Replacing Front Casters

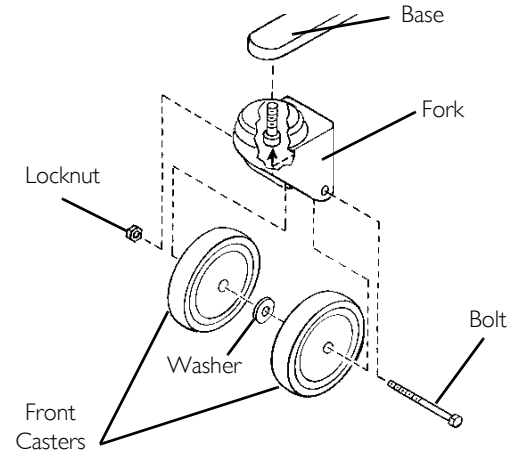
1. Place the lift on its side.
2. Remove the bolt and locknut that secure the existing front caster assembly to the fork.



The front caster assembly consists of two casters and a washer in between.

The washer will fall out from between the two casters.
Washer will be reused. Examine and replace if worn.

3. Position the new/existing washer between the two new casters.
4. Line up the mounting holes in the new front caster assembly and the fork.
5. Install the bolt through the fork and the new front caster assembly and tighten securely with the locknut.



Replacing Forks

1. Place the lift on its side.
2. Remove the front or rear caster from the lift. Refer to [Replacing Casters/Forks](#) on page 48.
3. Unscrew the existing fork from the base.
4. Install the new fork onto the base.
5. Install the front or rear caster onto the lift. Refer to [Replacing Casters/Forks](#) on page 48.

11 Accessories

11.1 Reliant Scale RLS6

The Reliant Scale is a compact precision scale system designed specifically for the Invacare Patient Lift System.




WARNING

DO NOT install or use this equipment without first reading and understanding these instructions. If you are unable to understand the Warnings, Cautions or Instructions, contact a healthcare professional, dealer or technical personnel before attempting to install this equipment - otherwise, injury or damage may occur.

Removing the Hanger Bar



For this procedure, refer to FIGURE 11.1.

1. Remove the shoulder bolt, locknut, pinch guard and washer which secure the hanger bar to the boom mounting bracket.
-  Save the shoulder bolt and locknut to secure the Reliant Scale to the boom. The pinch guard will not be used when the scale is installed. Save the pinch guard for future use of the hanger bar without scale.
Removing the hanger bar hardware will release the hanger bar, two nylon washers and the hanger bar pin. Save the hanger bar pin and the two nylon washers for future use of the hanger bar without the scale.

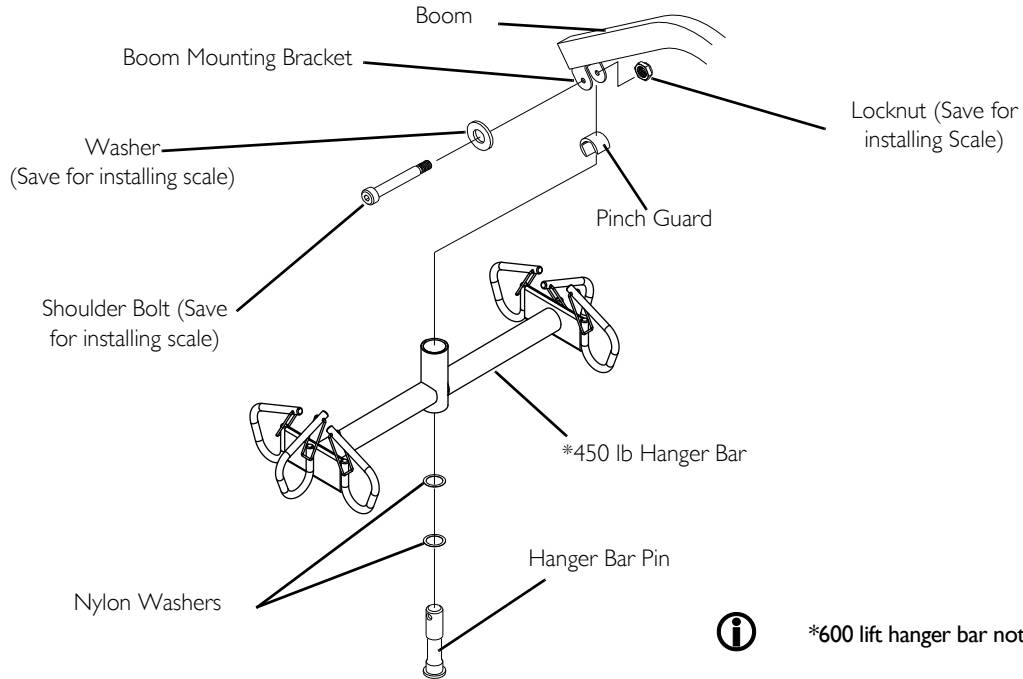


FIGURE 11.1 Removing the Swivel Bar

11 ACCESSORIES

Installing the Reliant Scale



For this procedure, refer to FIGURE 11.2.



WARNING

Patient and sling **MUST** be removed from the lift during ALL installation procedures.

1. Position the load cell assembly of the Reliant Scale into the boom mounting bracket. Refer to Detail “A” in FIGURE 11.2.



Use 1/4-inch nylon washer.

2. Secure the Reliant Scale to the boom mounting bracket with a shoulder bolt, two nylon washers and a locknut. Securely tighten. Refer to Detail “A” in FIGURE 11.2 for washer orientation.



Ensure the shaft of the shoulder bolt passes through both sides of the boom mounting bracket.

3. Insert hanger bar pin with two nylon washers through the hanger bar. Refer to Detail “B” in FIGURE 11.2.
4. Align the mounting holes in the hanger bar pin with the mounting holes in the load cell assembly. Refer to Detail “B” in FIGURE 11.2.
5. Secure hanger bar pin to the load cell assembly with the provided mounting screw and locknut. Securely tighten. Refer to Detail “B” in FIGURE 11.2.



WARNING

After ANY adjustments, repair or service and BEFORE use, make sure all attaching hardware is tightened securely - otherwise injury or damage may occur.

6. Weigh the patient. Refer to Operating the Scale on page 54 and Weighing the Patient on page 55.

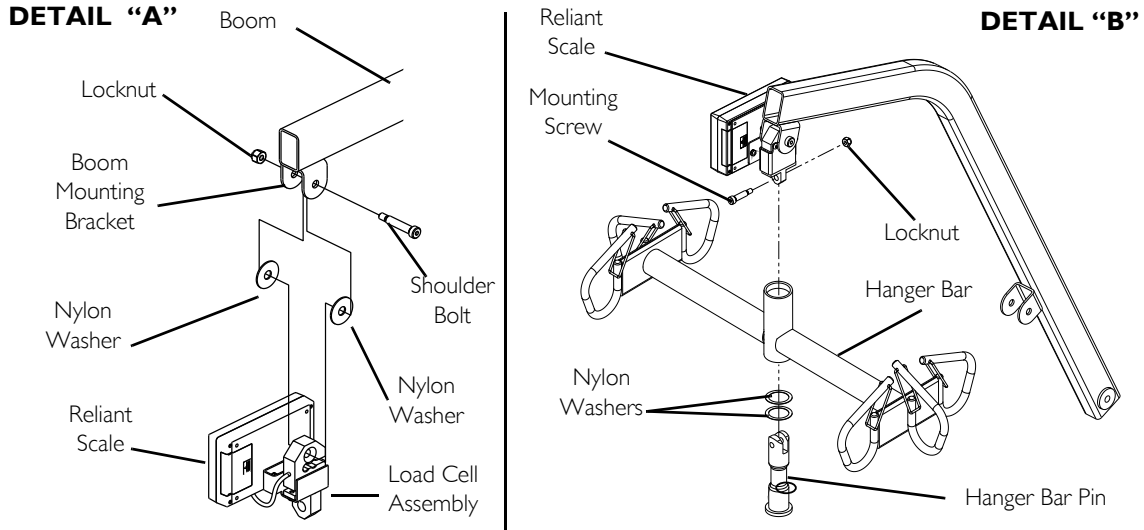


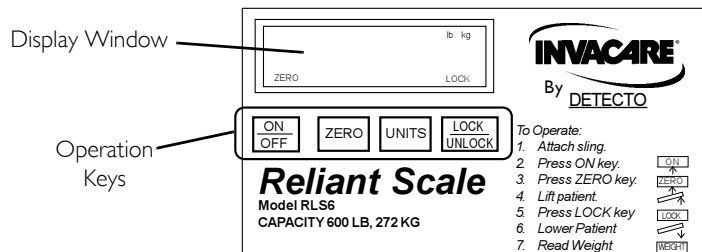
FIGURE 11.2 Installing the Reliant Scale

11 ACCESSORIES

11.2 Operating the Scale

Keypad Functions

KEY	INDICATOR DISPLAYED	INDICATOR LOCATION	DEFINITION
ON OFF	OFF	Center of Display Window	Pressing this key will apply power to the scale and turn the unit on. When the scale is already on, pressing the button will turn the unit off.
ZERO	ZERO	Lower Left Corner of the Display Window	Pressing this key when the scale is on will reset the weight shown in the display window to zero.
UNITS	lb or kg	Upper Right Corner of the Display Window	The function of this key is to change the unit of measurement from pounds (lb) to kilograms (kg).
LOCK UNLOCK	LOCK	Lower Right Corner of the Display Window	This key is used to lock or unlock a weight value in the display window. NOTE: Weight displayed is a STORED weight and not the current weight when the key is used in the lock position.
N/A	LO BAT	Center of Display Window	Indicator is shown in the display window to notify when battery is low.






11.3 Weighing the Patient



WARNING

The weight capacity is limited to the lowest rated capacity of any one of the components in use (e.g. Patient Lift, Sling or Scale). The patient's weight **MUST** not exceed the lowest rated capacity of any component.

DO NOT operate key strokes with pointed objects (e.g. pencils, pens, fingernails, etc.) Otherwise damage to the key pad will result.

1. Attach sling straps to the hanger bar. For proper attachment instructions refer to [Attaching Slings to the Lift](#) on page 29.
 -  For improved accuracy on the 450 and 600 Reliant lifts, attach all sling straps to the center hooks on both sides of the hanger bar. However, patient comfort may require a different configuration of sling straps.
2. Press the ON/OFF key.
 -  The display will indicate the last weight that was measured. The word “LOCK” will be seen in the display box. The ZERO key is pressed in order to avoid capturing the weight of the sling and the hardware. If the ZERO key is not pressed the weight of the sling and the weight of the hardware will be included in the weight displayed. **NOT ZERO-ING OUT WILL GIVE A FALSE READING OF THE USER'S TRUE WEIGHT.**
3. Press the ZERO key. When the ZERO key is pushed the following will happen:
 - A. The scale will reset to zero and the word “ZERO” will appear in the display.
 - B. The lock function will then be turned off and the word “LOCK” will disappear from the display.
 -  The scale is now active and continually updating the weight display.
4. Place the patient in the sling. For patient placement instructions refer to [Operation](#) on page 20.
5. Activate the lift mechanism to raise the patient until they are completely supported by the lift. For patient lifting instructions, refer to [Lifting the Patient](#) on page 28.
6. Note the weight display.
7. When the weight display becomes stable press the LOCK button to lock the weight display. This will be indicated by the word “LOCK” appearing in the display window.

11 ACCESSORIES

i Should it be necessary to unlock the weight while the patient is still supported by the lift, the UNLOCK button may be pressed. The weight will unlock and the word “LOCK” will disappear from the display window. The weight value will then be updated. Once the weight becomes stable the weight can be locked again by pressing the LOCK button.

Stable being defined as the weight fluctuating two tenths of a pound. For example, a patient weighing one hundred pounds, the scale will fluctuate between 99.8 and 100.2 until the LOCK key is pressed. Fluctuation of the weight displayed is normal as noted above. Press the LOCK button to lock the weight.

The UNITS button can be pressed to toggle between units of pounds and kilograms. This is indicated by lb or kg appearing in the display window.

8. The lift may now be lowered and the sling removed from the patient.

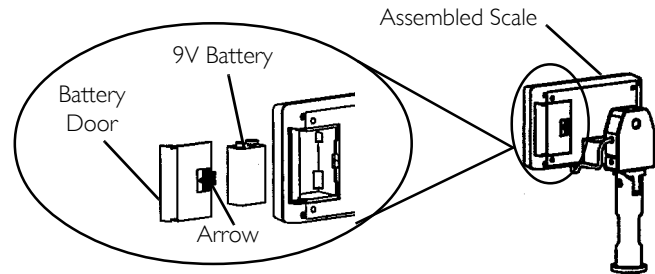
i The patient's weight will continue to be seen in the display window. The display will turn off automatically after a two minute period of non-use [no changes in weight exceeding five pounds (two kilograms)]. You can NOT adjust the time delay for automatic shut off. After the display has turned off, the weight may be recalled by pressing the ON/OFF button. The unit can be turned off by pressing the ON/OFF button a second time.

11.4 Replacing the Battery

i The scale is powered by a nine volt alkaline battery that should provide approximately 1500 readings before needing replacement.

When battery replacement is needed, LO BAT will appear on the display. Perform the following:

1. Slide the battery door open in the direction of the arrow.
2. Remove existing battery.
3. Install the new battery.
4. Reinstall the battery door.



Calibrating the Reliant Scale



The Reliant Scale will be pre-calibrated at the factory with the load cell. Should it be necessary to re-calibrate the scale, follow the instructions outlined below.

1. The patient and the sling must be removed from the scale to properly calibrate the Reliant Scale. For removing the patient instructions refer to [Operation](#) on page 20. For sling detachment instructions refer to [Lifting the Patient](#) on page 28.
2. With the Reliant Scale on, remove the four screws on the back of the enclosure and remove the front cover to expose the PC board.
3. Press the CAL button located on the PC board. The CAL switch is not labeled but is the only button on the PC board located in the lower right corner. Once the CAL button is pushed “CAL1” will be seen in the display window.



CAL1 selects the calibration mode using 50 pounds of calibrated weight. CAL2 selects the calibration mode for use with 200 pounds of calibrated weight. Pressing the UNITS key toggles between CAL1 and CAL2.

4. When the desired calibration mode is displayed, press the LOCK/UNLOCK key.



The display window will now show UnLd.

5. Ensure that there is no load on the scale and press the ZERO key.
6. The display window will show a dashed line (-----) scrolling across and then the word LOAD will appear in the display window.
7. Perform one of the following:
 - A. FOR CAL1 OPTION - support 50 pounds of calibrated weight from the scale and press the ZERO key.
 - B. FOR CAL2 OPTION - support 200 pounds of calibrated weight from the scale and press the ZERO key.
8. The display window will show a dashed line (-----) scrolling across and then the word DONE will appear in the display window.
9. Remove the weight from the scale and press the LOCK/UNLOCK key.



The unit will now be in a temporary test mode and will not lock the weight display. This will allow weight to be loaded and unloaded to check the calibration.

10. Turn the unit off by pressing the ON/OFF key.
11. Turn the unit on by pressing the ON/OFF key.



Scale will now be in normal operation.

II ACCESSORIES

II.5 Troubleshooting

SYMPTON	PROBABLE CAUSE	SOLUTIONS
Unit does NOT work properly.	Battery failure.	Check battery. Replace if necessary.
Battery has been replaced and unit still does NOT work properly.		Contact Invacare for Service at 1-800-333-6900

Display Codes

<div style="border: 1px solid black; padding: 5px; display: inline-block;">CAL</div>	CALIBRATION REQUIRED - Indicates improper stored calibration data, calibration is necessary.
<div style="border: 1px solid black; padding: 5px; display: inline-block;">OCAP</div>	OVER CAPACITY - Indicates a weight exceeding the capacity has been loaded on the scale.

Manuel de L'utilisateur

Lève-personne portatif manuel/électrique

DÉTAILLANT : Ce manuel doit être livré à l'utilisateur du fauteuil roulant.

UTILISATEUR : AVANT d'utiliser ce produit, lisez ce manuel, puis conservez-le pour consultation future.

I	GÉNÉRALITÉS	62
	Pictogrammes.....	62
	Avertissements.....	62
	Autre Symboles.....	62
	Garantie limitée.....	63
2	SÉCURITÉ	64
	Avertissements généraux.....	64
	Renseignements relatifs à l'utilisation.....	65
	Généralités.....	65
	Points de pincement et positionnement.....	65
	Assembler le lève-patient.....	65
	Utiliser le lève-patient.....	66
	Utiliser la toile.....	66
	Soulever le patient.....	67
	Transférer le patient.....	68
	Exécuter l'entretien.....	68
	Électricité et mise à la terre.....	69
	Mise au rebut.....	69
	Interférence aux fréquences radioélectriques.....	69
3	ÉTIQUETTES SUR LE PRODUIT	70
4	RENSEIGNEMENTS TECHNIQUES	71
	Lève-patient.....	71
	Toiles plein corps, croisée, et de toilette.....	72
	Pèse-personne Reliant RLS6.....	72

SOMMAIRE

5	ASSEMBLAGE	73
	Assemblage du Lève-Patient.....	73
	Déballer le Lève-Patient.....	73
	Assembler le Mât et la Base.....	74
	Assembler la Pompe Hydraulique/Manuelle à la Perche.....	75
	Assembler le Déclencheur Électrique à la Perche.....	76
	Installer la poignée d'embrayage.....	77
6	FONCTIONNEMENT	78
	Fonctionnement du Lève-Patient.....	78
	Pour Fermer/Ouvrir les Pattes de L'ensemble de la Base.....	78
	Lever/Baisser le Lève-Patient Manuel/Hydraulique.....	80
	Baïsser/Lever le Lève-Patient Électrique.....	82
	Actionner le Système de Dégagement d'urgence Mécanique.....	83
	Exécuter un arrêt d'urgence.....	84
	Installer le Chargeur à Batterie.....	85
	Charger les Batteries.....	86
7	SOULEVER PATIENT	87
	Preparation Pour le Levage.....	87
	Préparer le lève-patient.....	87
	Fixer la toile au lève-patient.....	88
	Soulever/Déplacer le Patient.....	89
8	TRANSFÉRER LE PATIENT	91
	Transférer le Patient pour Utiliser une Chaise D'aisance ou une Toilette.....	91
	Transférer vers une Chaise D'aisance.....	92
	Transférer vers une Toilette.....	93
	Transférer dans une Baignoire.....	94
	Transférer vers un Fauteuil Roulant.....	95
9	DÉPANNAGE	97

10	ENTRETIEN	100
	Liste D'inspections pour L'entretien	100
	Lubrification.....	103
	Usure et Dommages	104
	Nettoyage	104
	Pompe Hydraulique/Manuelle	104
	Remplacer la Pompe Manuelle/Hydraulique.....	104
	Remplacer le Déclencheur Électrique.....	105
	Vérifier et serrer le boulon à pivot du mât.....	106
	Remplacer la Barre à Rotule	106
	Maintenir le réglage de la base.....	107
	Remplacer les Roulettes et/ou les Fourches	108
	Roulettes Arrière.....	108
	Roulettes Avant.....	108
	Fourches.....	109
11	ACCESSORIES	110
	Pèse-personne Reliant RLS6.....	110
	Enlever la barre à rotule	110
	Installer le pèse-personne Reliant	112
	Fonctionnement du pèse-personne	114
	Fonction des touches.....	114
	Peser le patient.....	115
	Remplacer la batterie.....	116
	Calibrer le pèse-personne	117
	Dépannage	118
	Codes.....	118

I Généralités

I.1 Pictogrammes

Avertissements

On emploie des mots indicateurs dans ce manuel; ils s'appliquent aux dangers ou aux pratiques dangereuses qui risquent de causer des blessures graves ou des dégâts matériels. Voyez les informations ci-dessous pour la définition des mots-clés.



DANGER

Danger indique l'imminence d'une situation dangereuse qui pourrait causer de graves blessures, voire la mort, si elle n'est pas évitée.



AVERTISSEMENT

Avertissement indique l'éventualité d'une situation dangereuse qui pourrait causer des blessures graves pouvant être mortelles si elle n'est pas évitée.



ATTENTION

Le terme « Mise en garde » indique une situation possiblement dangereuse qui pourrait causer des dommages matériels ou des blessures légères, voire les deux, si elle n'est pas évitée.



IMPORTANT

Indique une situation dangereuse qui, si elle n'est pas évitée, pourrait entraîner des dommages matériels.



Offre des conseils, des recommandations et des informations utiles pour assurer un fonctionnement optimal.



"ATTENTION, voir instruction d'utilisation"

Autre Symboles



Date de fabrication.

1.2 Garantie limitée



REMARQUE: LA GARANTIE CI-DESSOUS A ÉTÉ RÉDIGÉE EN ACCORD AVEC LA LOI FÉDÉRALE APPLICABLE SUR LES PRODUITS FABRIQUÉS APRÈS LE 4 JUILLET 1975.

Cette garantie est valable pour l'acheteur-utilisateur original de nos produits seulement.

Cette garantie vous donne des droits légaux spécifiques. D'autres droits variant d'un État à l'autre peuvent se rajouter.

Invacare garantit ses produits contre tout défaut de fabrication ou défaut dans les matériaux pour une période de ans pour le lève-patient et de un an pour les toiles, les pompes hydrauliques/composantes électriques, à partir de la date d'achat. Si durant cette période, le produit devait s'avérer défectueux, ce dernier sera réparé ou remplacé, suivant le choix d'Invacare. Cette garantie ne comprend aucun frais de main-d'oeuvre ou de livraison reliés au remplacement ou à la réparation du produit. La seule et unique obligation d'Invacare et votre recours exclusif suivant cette garantie se limitent au remplacement ou à la réparation du produit.

Pour le service, contacter votre fournisseur. Si le service n'est pas satisfaisant, écrire directement à Invacare à l'adresse indiquée au verso. Fournir le nom du fournisseur, l'adresse, la date d'achat et la nature du problème.

Invacare émettra une autorisation de retour. L'unité ou les pièces défectueues **DOIVENT** être retournées pour inspection en identifiant le numéro de série sil y a lieu, dans les trente jours suivant la date d'autorisation de retour. Ne pas retourner un produit à l'usine avant d'avoir eu notre consentement. Les envois payable sur réception seront refusés; veuillez payer les frais d'envoi.

RESTRICTIONS: LA PRÉSENTE GARANTIE NE S'APPLIQUE PAS AUX PRODUITS DONT LE NUMÉRO DE SÉRIE A ÉTÉ EFFACÉ OU MODIFIÉ, AUX PRODUITS MAL ENTRETENUS, ACCIDENTÉS, INADÉQUATEMENT UTILISÉS OU ENTREPOSÉS, D'USAGE COMMERCIAL OU INSTITUTIONNEL, AUX PRODUITS MODIFIÉS SANS LE CONSENTEMENT ÉCRIT D'INVACARE, INCLUANT, MAIS NE SE LIMITANT PAS À, LA MODIFICATION AVEC DES PIÈCES OU ACCESSOIRES NON AUTORISÉS, AUX PRODUITS ENDOMMAGÉS PAR DES RÉPARATIONS FAITES SANS L'APPROBATION D'INVACARE, OU AUX PRODUITS ENDOMMAGÉS DANS DES CIRCONSTANCES AU-DELÀ DU CONTRÔLE D'INVACARE, ET L'ÉVALUATION SERA FAITE PAR INVACARE. LA GARANTIE NE S'APPLIQUE PAS AUX PROBLÈMES DÉCOULANT DE L'USURE NORMALE OU DE LA NÉGLIGENCE À RESPECTER LES INSTRUCTIONS DE CE MANUEL.

LA PRÉSENTE GARANTIE EST EXCLUSIVE ET REMPLACE TOUTES LES AUTRES GARANTIES. LES GARANTIES IMPLICITES, S'IL Y A LIEU, INCLUANT LA GARANTIE DE COMMERCIALISATION ET D'AJUSTEMENT DANS UN BUT PARTICULIER, NE DOIVENT SE PROLONGER AU-DELÀ DE LA DURÉE DE LA PRÉSENTE GARANTIE, ET LE RECOURS POUR VIOLATION DE QUELCONQUE GARANTIE IMPLICITE DOIT SE LIMITER À LA RÉPARATION OU AU REMPLACEMENT DU PRODUIT DÉFECTUEUX CONFORMÉMENT AUX PRÉSENTS TERMES. INVACARE NE SERA PAS TENU RESPONSABLE POUR TOUT DOMMAGE-INTÉRÊT INDIRECT OU ACCESSOIRE.

CERTAINS ÉTATS/PROVINCES N'AUTORISENT PAS DE RESTRICTIONS POUR DOMMAGES/INTÉRÊTS INDIRECTS OU ACCESSOIRES, OU DE RESTRICTIONS SUR LA DURÉE DE LA GARANTIE; AINSI LES RESTRICTIONS CI-DESSUS PEUVENT NE PAS S'APPLIQUER.

CETTE GARANTIE DEVRA ÊTRE ÉLARGIE POUR RÉPONDRE AUX LOIS ET AUX RÈGLEMENTS DES ÉTATS (PROVINCES).

2 Sécurité

La section sur la sécurité comprend des renseignements importants quant au fonctionnement et à l'utilisation sécuritaires de ce produit.

2.1 Avertissements généraux



AVERTISSEMENT

N'UTILISEZ PAS CE PRODUIT OU TOUT AUTRE ÉQUIPEMENT OFFERT EN OPTION SANS AVOIR, AU PRÉALABLE, ENTIÈREMENT LU ET COMPRIS CES INSTRUCTIONS ET TOUT AUTRE DOCUMENT COMME LE MANUEL DE L'UTILISATEUR, LE MANUEL D'ENTRETIEN OU LES FEUILLETS D'INSTRUCTIONS FOURNIS AVEC CE PRODUIT OU AVEC L'ÉQUIPEMENT EN OPTION. SI VOUS NE COMPRENEZ PAS LES AVERTISSEMENTS, LES MISES EN GARDE ET LES INSTRUCTIONS, COMMUNIQUEZ AVEC UN PROFESSIONNEL DE LA SANTÉ, UN DISTRIBUTEUR OU UN TECHNICIEN QUALIFIÉ AVANT DE TENTER D'UTILISER CET ÉQUIPEMENT POUR ÉVITER TOUT RISQUE DE BLESSURES OU DE DOMMAGES.



AVERTISSEMENTS POUR LES ACCESSOIRES

Les produits Invacare sont conçus et fabriqués expressément pour une utilisation avec les accessoires Invacare. Invacare n'a pas examiné les accessoires conçus par d'autres fabricants; ces accessoires ne devraient pas être utilisés avec les produits Invacare.



REMARQUE

L'INFORMATION CONTENUE DANS CE DOCUMENT PEUT ÊTRE MODIFIÉE SANS PRÉAVIS.

Assurez-vous que toutes les pièces à expédier sont en bon état. Suite au transport, si des dommages à l'équipement sont apparents, **NE PAS UTILISER**. Communiquez avec l'expéditeur ou le détaillant pour obtenir d'autres instructions.

2.2 Renseignements relatifs à l'utilisation

Généralités



AVERTISSEMENT

Le lève-patient d'Invacare n'est pas un appareil de transport. Il est conçu pour le transfert de patient d'une surface de repos à une autre (ex. d'un lit à un fauteuil).

Ne pas tenter de transfert sans le consentement du médecin, de l'infirmier ou de l'assistant médical du patient. Lire attentivement les instructions contenues dans ce manuel, observer une équipe d'experts répéter la manoeuvre de levage et pratiquer ensuite plusieurs fois toute la procédure sous supervision et avec une personne en santé comme patient.

Faire preuve de bon sens lors de tous les transferts. Apporter une attention particulière aux personnes qui ne peuvent coopérer lors des transferts. Utiliser des ceintures si nécessaire.

Les toiles et les accessoires du lève-patient d'Invacare sont spécialement conçus pour être utilisés avec le lève-patient d'Invacare. Les toiles et les accessoires conçus par d'autres manufacturiers ne doivent pas être utilisés avec le lève-patient d'Invacare. L'utilisation de ces produits est interdite et entraînera l'annulation de la garantie. Utiliser seulement les toiles et les accessoires originaux d'Invacare pour assurer la sécurité du patient et obtenir l'efficacité attendue.

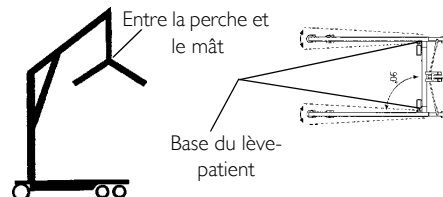
Points de pincement et positionnement



AVERTISSEMENT

Endroits dangereux, les doigts peuvent être pincés.

Lorsque vous placez le lève-patient, vérifier la position de la barre à rotule et la position du patient. Des blessures peuvent survenir.



Assembler le lève-patient



AVERTISSEMENT

Ne pas trop serrer la quincaillerie de montage. Ceci endommagera les supports de montage.

2 SÉCURITÉ

Utiliser le lève-patient



AVERTISSEMENT

Bien que Invacare recommande la présence de deux assistants pour la préparation du levage et pour les procédures de transferts de et vers, nos équipements peuvent opérer correctement avec un assistant seul. La présence d'un assistant seul sera basé sur l'opinion du médecin pour chaque cas individuel.

S'assurer de bien entendre le déclic qui confirme le montage adéquat lorsque vous montez la batterie sur le chargeur, sans quoi des blessures ou des dommages peuvent survenir.

NE PAS dépasser la limite de poids du lève-patient. La charge maximale des modèles RHL450-I et RPL450-I est de 450 lb. La charge maximale du modèle RPL600 I est de 600 lb.

Utiliser la toile



AVERTISSEMENT

Utiliser une toile Invacare approuvée et recommandée par le médecin du patient, l'infirmière ou l'assistant médical pour le confort et la sécurité du patient.

NE PAS utiliser de coussin d'incontinence à dossier en plastique, ou d'autres types de coussins entre le patient et les composantes du lève-patient car le patient pourrait glisser de la toile pendant le transfert.

Après chaque lavage, (effectué selon les instructions indiquées sur la toile) inspecter la (les) toile(s) pour y déceler la présence d'usure, de déchirures ou de points de couture lâches.

Une toile blanchie, déchirée, coupée, usée ou brisée est non sécuritaire et pourrait causer des blessures. La jeter immédiatement.

NE PAS modifier les toiles.

Vérifier les pièces de fixation de la toile chaque fois que la toile est enlevée et remise, pour s'assurer qu'elle est bien fixée avant que le patient ne soit déplacé d'un endroit stationnaire (lit, fauteuil, chaise d'aisance).

Si le patient est assis dans un fauteuil roulant, bloquer les freins de blocage pour empêcher le fauteuil de bouger.

Au moment de connecter les toiles munies de courroies de couleur, la courroie la plus courte DOIT être à l'arrière du patient pour lui donner du support. Utiliser la courroie longue donnera peu ou pas de support au dos du patient. Les boucles de la toile sont munies d'un code de couleur et peuvent être utilisées pour placer le patient dans différentes positions. Les couleurs permettent de fixer les deux côtés de la toile à la même hauteur plus facilement.

Soulever le patient



AVERTISSEMENT

Lorsque vous utilisez un lève-personne à base réglable, les pattes **DOIVENT** être dans la position ouverte/verrouillée maximale avant de soulever le patient.

Lorsque le patient est soulevé à quelques pouces de la surface de l'objet fixe (fauteuil roulant, chaise d'aisance ou lit) et avant de déplacer le patient, assurez-vous que la toile est fixée correctement aux crochets de la barre pivotante. Si l'une des attaches n'est pas correctement en place, replacez le patient sur l'objet fixe (fauteuil roulant, chaise d'aisance ou lit) et corrigez le problème.

Les ajustements qui assurent la sécurité et le confort devraient être effectués avant de déplacer le patient. Les bras du patient devraient se trouver à l'intérieur des courroies.

Les toiles Invacare sont conçues spécialement pour être utilisées avec les lève-personnes Invacare. Pour des raisons de sécurité, N'utilisez **JAMAIS** les toiles et les lève-personnes de fabricants différents ensemble. Cela annulerait la garantie.

Durant le transfert, quand le patient est suspendu dans une toile fixée au lève-personne, **ÉVITEZ** d'engager les roulettes sur une surface inégale, vous risqueriez de faire basculer le lève-personne. Utilisez la poignée de direction du mât en tout temps pour pousser ou tirer le lève-personne.

Invacare ne recommande pas de verrouiller les roulettes arrière du lève-personne au moment de soulever un patient. Cette pratique pourrait faire basculer le lève-personne et mettre le patient et les préposés en danger. Invacare recommande que les roulettes arrière soient déverrouillées au moment de soulever le patient pour permettre au lève-personne de se stabiliser lorsque le patient est soulevé d'une chaise, d'un lit ou d'un objet fixe.

2 SÉCURITÉ

Transférer le patient



AVERTISSEMENT

Lorsque le patient est soulevé à quelques pouces de la surface de l'objet fixe (fauteuil roulant, chaise percée ou lit) et avant de déplacer le patient, assurez-vous que la toile est fixée correctement aux crochets de la barre pivotante. Si l'une des attaches n'est pas correctement en place, remplacez le patient sur l'objet fixe (fauteuil roulant, chaise percée ou lit) et corrigez le problème.

Les freins de blocage **DOIVENT** être en position bloquée avant d'abaisser le patient dans le fauteuil pour le transport.

Avant le transfert, vérifiez si le fauteuil peut supporter le poids du patient en vérifiant la limite de poids du fauteuil.

Vérifiez les pièces de fixation de la toile chaque fois que la toile est enlevée et remise, pour s'assurer qu'elle est bien fixée avant que le patient ne soit déplacé d'un lit ou d'un fauteuil.

Le pivot du mât sous le soufflet doit être serré pour assurer un fonctionnement sécuritaire du lève-patient. Le boulon doit être vérifié tous les 6 mois lors de l'entretien régulier.

Exécuter l'entretien



AVERTISSEMENT

La pompe est scellée en usine. **NE PAS** tenter d'**OUVRIR** la pompe ou de la faire réparer par un service local, sans quoi la garantie sera **ANNULÉE** et des dommages pourraient survenir. Consulter le fournisseur ou écrire à Invacare pour plus de renseignements.

Après la première année d'utilisation, les crochets de la barre à rotule et les supports de montage du bras devraient être inspectés tous les trois mois pour évaluer l'usure. Si ces pièces sont usées, les remplacer.

Les roulettes et les boulons d'essieu doivent être inspectés tous les six mois pour l'usure et la solidité.

Après les premiers 12 mois d'utilisation, vérifiez l'usure de la barre à rotule et de l'oeil du bras. Si le métal est usé, les pièces doivent être remplacées. Ensuite, faire l'inspection tous les six mois.

Un entretien régulier du lève-patient et des accessoires est nécessaire pour assurer un bon fonctionnement.

Ne pas trop serrer la quincaillerie de montage. Ceci endommagera les supports de montage.

Électricité et mise à la terre



AVERTISSEMENT

INSTRUCTIONS DE MISE À LA TERRE

NE JAMAIS, dans aucune circonstance, couper ou enlever la broche ronde de mise à la terre d'une fiche. Certains appareils sont munis de fiches à trois broches (mise à la terre) pour protéger contre d'éventuelles décharges. Lorsque les plaques murales ne peuvent recevoir que des fiches à deux broches, la personne doit contacter un électricien pour les faire remplacer par des prises adéquates pour des fiches à trois broches et ce, conformément aux normes du code national en électricité (National Electricity Code). Si vous devez utiliser une rallonge, utilisez SEULEMENT une rallonge à trois fils ayant la même puissance ou une puissance plus élevée que l'appareil qui doit être branché. De plus, INVACARE a placé des étiquettes d'avertissement rouges/orange sur certains équipements. NE PAS enlever ces étiquettes.

Lire attentivement les informations sur la batterie/chargeur à batterie avant l'installation, l'entretien ou l'utilisation de votre lève-patient.

Mise au rebut



AVERTISSEMENT

Ce produit a été fourni par un manufacturier sensible à l'environnement qui respecte les normes de Waste Electrical and Electronic Equipment (WEEE) 2002/96/CE.

L'appareil comprend des accumulateurs au plomb-acide. NE les jetez PAS dans les déchets ménagers. Apportez-les dans un lieu destiné à cet effet.

Communiquez avec une entreprise de gestion de déchets de votre région pour obtenir de plus amples renseignements.

Ce produit peut contenir des substances qui pourraient être nuisibles à l'environnement s'il est jeté dans des décharges qui ne respectent pas les normes légales appropriées.

Soyez respectueux de l'environnement et déposez ce produit à votre établissement de recyclage lorsque vous n'en avez plus besoin.

2.3 interférence aux fréquences radioélectriques




AVERTISSEMENT

Les ondes radio (RFI) interfèrent avec la plupart des appareils électroniques. Éviter d'utiliser des appareils de communication portables à proximité d'équipements pouvant émettre des RFI. Si les RFI causent des comportements inhabituels, APPUYER IMMÉDIATEMENT sur L'INTERRUPTEUR D'ARRÊT rouge. NE PAS remettre l'interrupteur en marche pendant la transmission.

3 Étiquettes sur le produit

AVERTISSEMENT



Avant d'utiliser le lève-personne, pour assurer une utilisation adéquate et une exécution sécuritaire des procédures, LIRE et COMPRENDRE le manuel de l'utilisateur.

AVERTISSEMENT

Limite de poids: 600 livres.

Le lève-personne Invacare N'EST PAS un appareil de transport.

N'engagez PAS les roulettes sur toute surface inégale qui pourrait risquer de faire basculer le lève-personne.

NE PAS bloquer les roues du lève-personne lorsque vous soulevez un patient. Les roues doivent restées DÉBLOQUÉES pour permettre au lève-personne de se stabiliser tout au long de la procédure de levage.


N'utilisez que les toiles et les accessoires de lève-personne Invacare.

Pour l'entretien et le remplacement, n'utilisez que les composants conçus pour ce modèle de lève-personne. Consultez l'étiquette du produit pour avoir de l'information sur le modèle.

Customer Service
1-800-333-6900

1130229 Rev. C

AVERTISSEMENT



Avant d'utiliser le lève-personne, pour assurer une utilisation adéquate et une exécution sécuritaire des procédures, LIRE et COMPRENDRE le manuel de l'utilisateur.

AVERTISSEMENT

Limite de poids: 450 livres.

Le lève-personne Invacare N'EST PAS un appareil de transport.

N'engagez PAS les roulettes sur toute surface inégale qui pourrait risquer de faire basculer le lève-personne.

NE PAS bloquer les roues du lève-personne lorsque vous soulevez un patient. Les roues doivent restées DÉBLOQUÉES pour permettre au lève-personne de se stabiliser tout au long de la procédure de levage.

N'utilisez que les toiles et les accessoires de lève-personne Invacare.

Pour l'entretien et le remplacement, n'utilisez que les composants conçus pour ce modèle de lève-personne. Consultez l'étiquette du produit pour avoir de l'information sur le modèle.

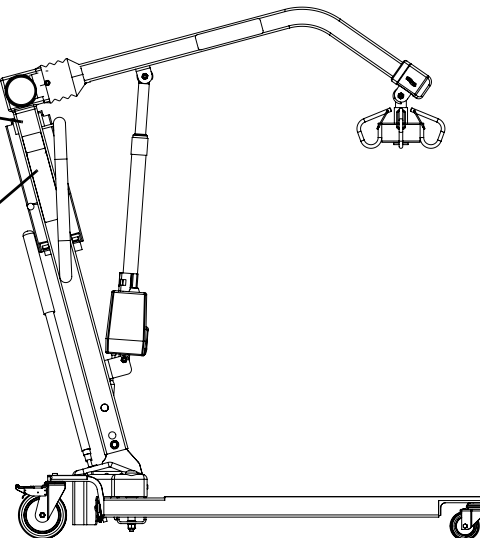
Customer Service
1-800-333-6900

1130267 Rev. C

AVERTISSEMENT

Le pivot du mât DOIT être serré afin d'assurer l'utilisation sécuritaire de votre lève-personne. Le boulon doit être vérifié au moins tous les six (6) mois lors de l'entretien régulier. Se référer au manuel de l'utilisateur.

PIN 1130265 Rev. C



Lève-patient électrique illustré. L'emplacement est le même pour les lève-patient manuel/hydraulique.


4 Renseignements techniques

4.1 Lève-patient

	450 LB. HYDRAULIQUE	450 LB. ÉLECTRIQUE	600 LB. ÉLECTRIQUE
	PROFIL BAS	PROFIL BAS	PROFIL BAS
Hauteur du crochet - MAX. :	71-pouces	74-pouces	68-pouces
Hauteur du crochet- MIN. :	25-pouces	24-pouces	28-pouces
Largeur base OUVERTE :	41.0-pouces		
Largeur base FERMÉE :	26.5-pouces		
Hauteur de la base (dégagement) :	4.5-pouces		
Longueur de la base :	48.0-pouces		
Dia. roulettes (AVANT/ARRIÈRE) :	3.0/5.0-pouces		
Options des toiles :	3 Styles	3 Styles	1 Style
Capacité de levage :	450 lbs	450 lbs	600 lbs
Poids dans la boîte :	112 lbs	133 lbs	138 lbs
Poids hors de la boîte :	93 lbs	106 lbs	112 lbs
Batterie :	N/A	24V DC (RCHBL)	
Entrée du chargeur :	N/A	100-240V AC	
Sortie du chargeur/Temps de charge :	N/A	29.5V DC Max 6 heures	
Accessoires :	Échelle numérique		
Alarme visuelle batterie faible :	N/A	Oui	Oui
Dispositifs de sécurité du moteur :	N/A	Dispositif de dégagement	
Effort/charge (Selon la charge et l'utilisation) :	N/A	100-200 Cycles par charge	
Garantie pompe/électronique :	1 an		

4 RENSEIGNEMENTS TECHNIQUES

4.2 Toiles plein corps, croisée, et de toilette

	PLEIN CORPS			PLEIN CORPS AVEC OUVERTURE			CROISÉE				DE TOILETTE	ROBUSTE SANS OUVERTURE	ROBUSTE AVEC OUVERTURE
	R110 R112*	R111 R113*	R114	R115	R116	R117*	R100P	R100	R101	R102	R121	R140*	R141*
Grandeur:	M	L	XL	M	L	XL	P	M	L	XL	L	N/A	N/A
Largeur:	41.5	45.5	45.5	41.5	45.4	45.5	33	37.5	41	44.5	36	45	45
Ouverture:	N/A	N/A	N/A	8	8	9	N/A	N/A	N/A	N/A	N/A	N/A	7
Length:	54.7	60.5	65.3	54.7	60.5	65.3	59.8	62.8	67.8	72.3	37	55	55
Ouverture:	N/A	N/A	N/A	11	11	13	N/A	N/A	N/A	N/A	N/A	N/A	13
Dossier:	N/A	N/A	N/A	N/A	N/A	N/A	29.2	35.7	41.7	43.2	N/A	N/A	N/A
Capacité de poids:	450 lbs	450 lbs	450 lbs	450 lbs	450 lbs	450 lbs	450 lbs	450 lbs	450 lbs	450 lbs	450 lbs	600 lbs	600 lbs
	*Les toiles sont fabriquées d'étoffe à ouvertures. Toutes les dimensions sont en pouces sauf avis contraire.												

4.3 Pèse-personne Reliant RLS6

Échelle de poids:	Jusqu'à 600 Lbs. (272.7 Kg)
Résolution:	+/- 0.2 Lbs (-1 Kg)
Écran:	Numérique à cristaux liquides
Fermeture automatique:	Deux minutes
Dimension:	5-3/4 L X 3-5/8 L X 4 H
Poids:	.55 Lbs
Puissance:	Pile alcaline volts (incluse)
Durée de vie - batterie:	Environ 1500 lectures
Écart de température:	50° à 104°F (10° à 40°C)

5 Assemblage

5.1 Assemblage du Lève-Patient



AVERTISSEMENT

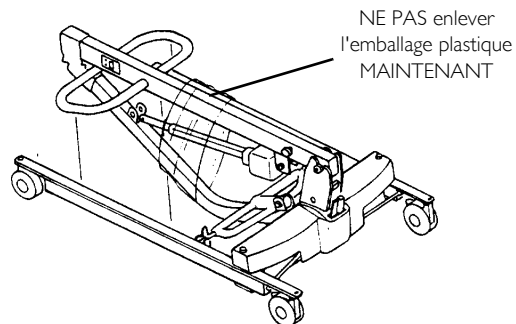
Utiliser SEULEMENT les pièces Invacare pour l'assemblage de ce lève-patient. La base, le mât, la perche, l'ensemble de la pompe et la barre à rotule sont fabriqués pour assurer un alignement précis de toutes les pièces pour un fonctionnement sécuritaire..

Déballer le Lève-Patient

I. Déballer les composantes de la boîte de carton.



Laisser en place l'emballage plastique qui retient la perche au mât. L'emballage de plastique sera retiré lors de Assembler la Pompe Hydraulique/Manuelle à la Perche à la page 75 ou de Assembler le Déclencheur Électrique à la Perche à la page 76.



5 ASSEMBLAGE

Assembler le Mât et la Base

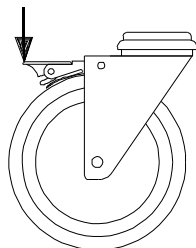
1. Si le lève-patient est muni de roulettes qui bloquent, les bloquer.
2. Enlever le boulon à épaulement, l'écrou et la rondelle qui place le mât dans la découpe en U de la base.
3. Mettre le mât à la verticale et le placer dans la découpe en U de la base.
4. Ensérer le boulon à épaulement et les rondelles dans la base et le mât.
5. Fixer avec l'écrou.



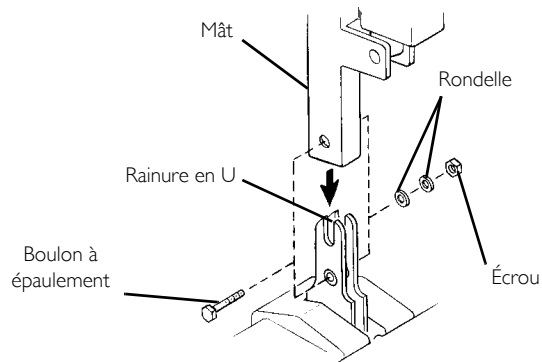
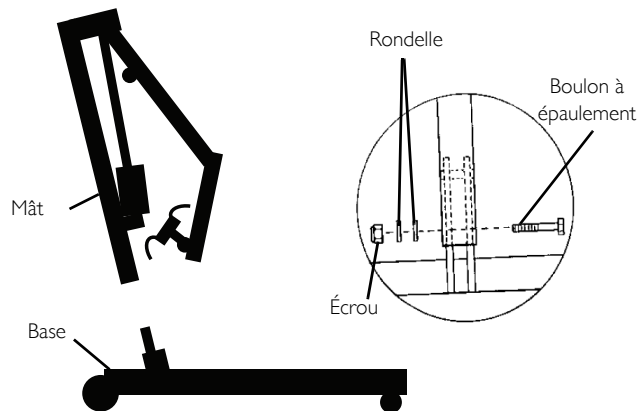
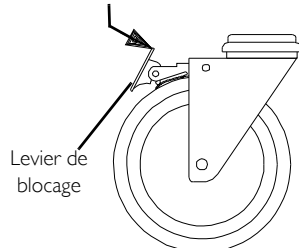
AVERTISSEMENT

Le mât peut être enlevé de la base pour le transport ou l'entreposage. Chaque fois que le mât est enlevé et remis dans sa base, le mât DOIT être bien fixé à l'ensemble de la base.

Ici Pour Bloquer



Ici Pour Débloquer



Assembler la Pompe Hydraulique/Manuelle à la Perche



ATTENTION

NE PAS trop serrer le boulon et l'écrou. Ceci endommage le support de montage.

1. Enlever le bolon à épaulement, la rondelle et l'écrou des supports de montage.
2. Enlever la bague de plastique de la boîte du lève-patient.

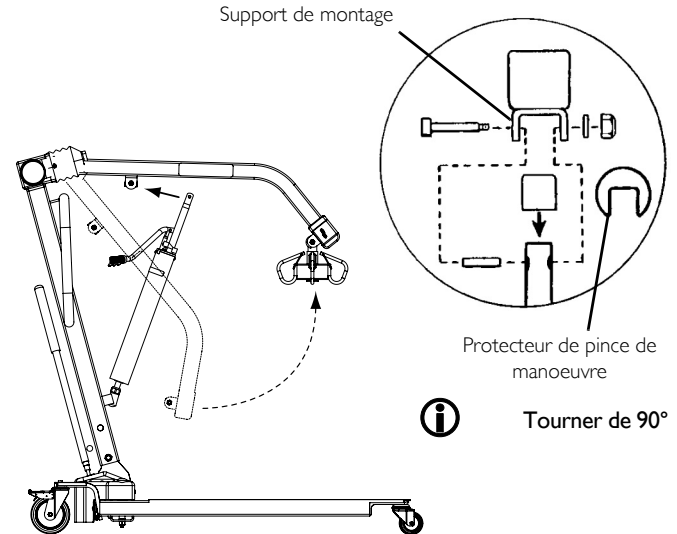


La base de la pompe hydraulique est déjà assemblée aux supports de montage du mât.

3. Couper l'emballage plastique qui fixe la perche et le mât ensemble.
4. Soulever la perche et la placer sur votre épaule gauche.
5. Laisser appuyer la pompe hydraulique sur le côté droit de votre poitrine et tourner l'extension de l'arbre de la pompe hydraulique jusqu'à ce qu'elle soit alignée avec les orifices du support de montage de l'ensemble de la perche.
6. Tourner la bague de plastique de 90° et la placer par dessus l'extension de l'arbre de la pompe hydraulique.
7. Aligner les orifices du support de montage de la perche avec ceux de la pompe hydraulique et insérer le boulon. Fixer avec la rondelle et l'écrou.



S'assurer que le boulon est bien entré dans l'orifice du support de la perche et de la pompe manuelle/hydraulique. L'ensemble de la perche tournera facilement si la quincaillerie est bien alignée lorsque l'ensemble de la perche est fixé au mât.



5 ASSEMBLAGE

Assembler le Déclencheur Électrique à la Perche



ATTENTION

NE PAS trop serrer le boulon et l'écrou. Ceci endommage le support de montage.

1. Enlever le boulon à épaulement, la rondelle et l'écrou du support de montage de l'ensemble de la perche.
2. Déballez la bague de plastique de la boîte de carton du lève-patient.



La base du déclencheur électrique est déjà assemblée au support de montage du mât.

3. Couper l'emballage plastique qui fixe le mât et la perche ensemble.
4. Soulever la perche et la placer sur votre épaule gauche.
5. Laisser appuyer le déclencheur sur le côté droit de votre poitrine et tourner l'extension de l'arbre de l'ensemble du déclencheur jusqu'à ce qu'il s'aligne avec les orifices de montage de l'ensemble de la perche.
6. Placer la bague de plastique par dessus l'extension de l'arbre du déclencheur.
7. Aligner les orifices du support de montage de la perche avec ceux du déclencheur et insérer le boulon. Fixer avec l'écrou.

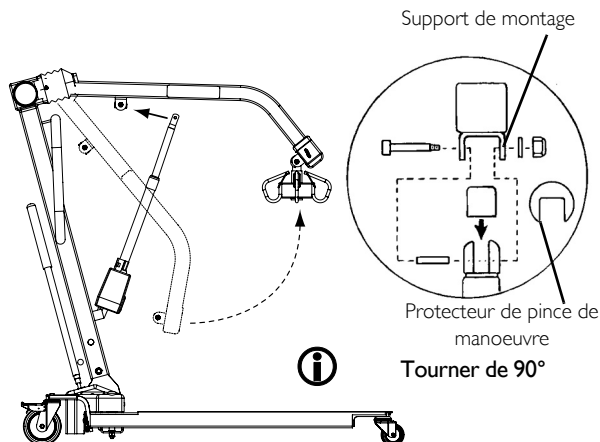


S'assurer que le boulon est complètement inséré dans les orifices du support de montage du bras et du vérin. Le bras pivotera facilement si la quincaillerie est bien alignée au moment de fixer le bras au mât.

8. Brancher les connecteurs électriques du vérin électrique à la base de l'ensemble de batteries.
9. Brancher la manette à la base de l'ensemble de batteries.

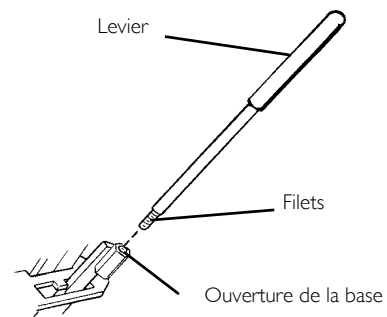


La base du vérin sera déjà assemblée au support de montage du mât.



5.2 Installer la poignée d'embrayage

1. Sortir le levier de la boîte.
2. Aligner les filets du levier avec ceux de l'ouverture filetée de la base.
3. Tourner le levier dans le sens des aiguilles d'une montre et bien serrer dans la base.



6 Fonctionnement

6.1 Fonctionnement du Lève-Patient



Bien que Invacare recommande la présence de deux assistants pour la préparation du levage et pour les procédures de transferts de et vers, nos équipements peuvent opérer correctement avec un assistant seul. La présence d'un assistant seul sera basé sur l'opinion du médecin pour chaque cas individuel.

Pour Fermer/Ouvrir les Pattes de L'ensemble de la Base

Le levier est utilisé pour ouvrir et fermer les pattes de la base pour assurer la stabilité au moment de soulever le patient.



AVERTISSEMENT

L'utilisation du lève-patient est facile et sécuritaire. NE PAS essayer de transférer un patient sans le consentement de son médecin, infirmier ou assistant médical. Lire attentivement les instructions du manuel de l'utilisateur, observer une équipe d'experts pratiquer la manoeuvre de levage et répéter ensuite plusieurs fois toute la procédure sous supervision avec une personne en santé comme patient. Pour garantir le maximum de stabilité et de sécurité, les pattes du lift doivent être en position ouverte extrême et le levier de déplacement en position verrouillée. S'il s'avérait nécessaire de refermer les pattes du lift pour le déplacer sous le lit, ne les refermer que le temps minimum nécessaire pour le placer au-dessus du patient et pour soulever le patient hors de son lit. Dès que les pattes du lift ne sont plus sous le lit, ramenez-les en position ouverte extrême et verrouillez immédiatement le levier de déplacement.

Fermer les pattes

1. Se placer à l'arrière du lève-patient et saisir le levier avec une main et placer l'autre main sur la poignée de direction du mât pour assurer l'équilibre.



Le levier **DOIT** bloquer dans son encoche de montage pour bloquer les pattes en position complètement ouverte ou fermée.



AVERTISSEMENT

Si le levier n'est **PAS** bien placé dans son encoche de montage, **NE PAS** utiliser le lève-patient jusqu'à ce que le levier soit bien placé et que les pattes du lève-patient soient **BLOQUÉES** en place, sinon des blessures et/ou des dommages peuvent survenir.

2. Tirer la poignée d'embrayage loin du lève-patient puis vers votre gauche jusqu'à ce qu'elle bloque dans l'encoche du support.

Ouvrir les pattes

1. Se placer à l'arrière du lève-patient et saisir le levier avec une main et placer l'autre main sur la poignée de direction du mât pour assurer l'équilibre..



Le levier **DOIT** bloquer dans son encoche de montage pour bloquer les pattes en position complètement ouverte ou fermée.

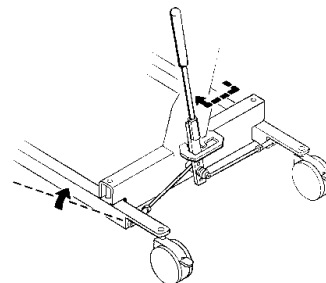


AVERTISSEMENT

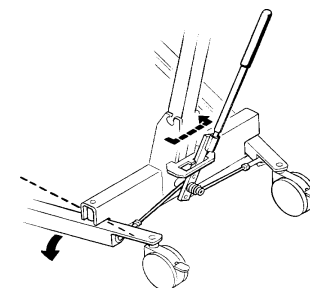
Si le levier n'est **PAS** bien placé dans son encoche de montage, **NE PAS** utiliser le lève-patient jusqu'à ce que le levier soit bien placé et que les pattes du lève-patient soient **BLOQUÉES** en place, sinon des blessures et/ou des dommages peuvent survenir.

2. Tirer la poignée d'embrayage loin du lève-patient puis vers votre **DROITE**.

Fermer les pattes



Ouvrir les pattes



6 FONCTIONNEMENT

Lever/Baisser le Lève-Patient Manuel/Hydraulique



AVERTISSEMENT

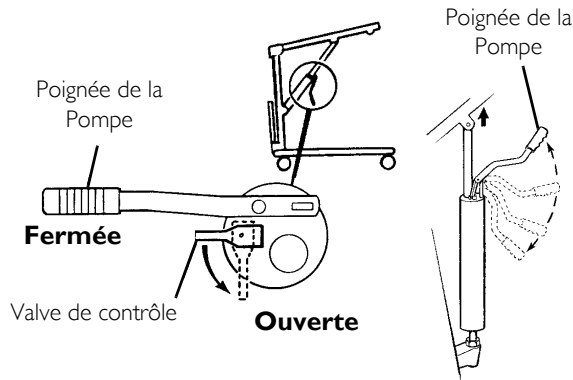
Invacare recommande DE NE PAS bloquer les roulettes arrière du lève-patient lorsque vous soulevez un patient. Cela pourrait faire basculer le lève-patient et mettre en danger le patient et les assistants. Invacare RECOMMANDE de laisser les roulettes arrière DÉBLOQUÉES pendant la procédure de levage pour permettre au lève-patient de se stabiliser lorsque le patient est soulevé d'une chaise, d'un lit ou d'un autre objet fixe

Le lève-patient est muni de deux contrôles:

- La valve de contrôle
- La poignée de la pompe

Lever le Lève-Patient

La valve de contrôle DOIT être en position FERMÉE (la valve de contrôle orientée vers la poignée de la pompe) pour déplacer la poignée de la pompe vers le haut et le bas pour monter la perche et le patient.



Baisser le Lève-Patient

La valve de contrôle DOIT être en position OUVERTE (la valve de contrôle éloignée de la poignée de la pompe) pour baisser la perche et le patient. La vitesse de la descente peut être contrôlée en variant l'ouverture de la valve de contrôle.



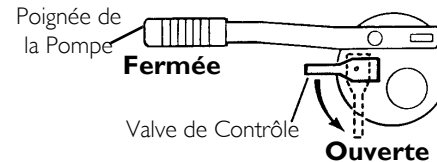
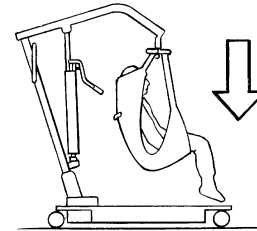
Une vanne de sécurité fait partie du système hydraulique qui contrôle la descente de la perche et ce, indépendamment de l'ouverture de la valve.

I. Exécuter une des étapes suivantes:

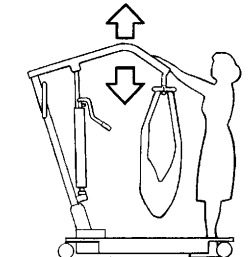
- AVEC patient assis dans la toile - Ouvrir légèrement la valve de contrôle. Voir schéma "A".
- Sans patient assis dans la toile - Ouvrir la valve de contrôle et baisser la perche. Voir schéma "B".



**SCHÉMA "A" -
AVEC PATIENT**



**SCHÉMA "B" -
SANS
PATIENT**



6 FONCTIONNEMENT

Baïsser/Lever le Lève-Patient Électrique



AVERTISSEMENT

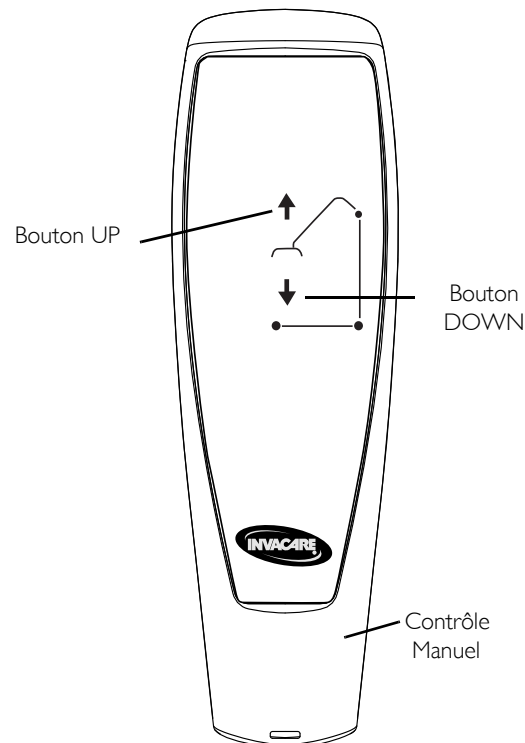
Invacare recommande DE NE PAS bloquer les roulettes arrière du lève-patient lorsque vous soulevez un patient. Cela pourrait faire basculer le lève-patient et mettre en danger le patient et les assistants. Invacare RECOMMANDE de laisser les roulettes arrière DÉBLOQUÉES pendant la procédure de levage pour permettre au lève-patient de se stabiliser lorsque le patient est soulevé d'une chaise, d'un lit ou d'un autre objet fixe.

Lever le Lève-Patient

Appuyer sur le poussoir UP (↑) pour lever la perche et le lève-patient.

Baïsser le Lève-Patient

Appuyer sur le poussoir DOWN (↓) pour baisser la perche et le patient.

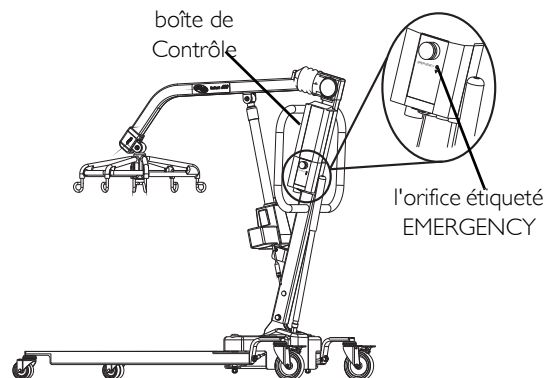


Actionner le Système de Dégagement d'urgence Mécanique

Système de dégagement d'urgence primaire

Pour activer le déverrouillage d'urgence primaire, insérez un stylo dans le trou portant l'étiquette Urgence sur la boîte de commande du lève-personne et appuyez sur la membrure en même temps.

Tous les actionneurs du lève-personne sont munis d'un déverrouillage d'urgence mécanique. Le déverrouillage mécanique permet à l'actionneur de se rétracter sans alimentation. L'actionneur se rétractera seulement si une charge est portée et que le déverrouillage d'urgence est tiré. Le levier de déverrouillage est de couleur rouge orangé et le mot Urgence est inscrit en blanc.



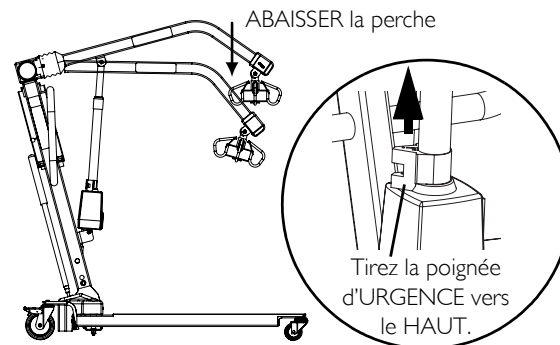
Système de dégagement secondaire d'urgence



Il est recommandé d'utiliser le système de dégagement d'urgence primaire. Le système de dégagement d'urgence secondaire est un système de secours du système primaire.

Si le système de dégagement primaire ne fonctionne pas ou ne peut être atteint, le système de dégagement d'urgence secondaire peut être utilisé.

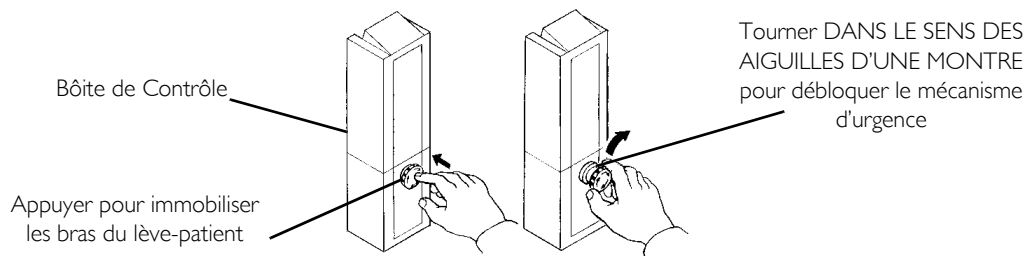
Pour activer le déverrouillage secondaire, tirez sur la poignée d'URGENCE et appuyez simultanément sur la membrure.



6 FONCTIONNEMENT

Exécuter un arrêt d'urgence

Appuyer sur le bouton ROUGE de la boîte de contrôle pour arrêter les bras du lève-patient et immobiliser le patient.

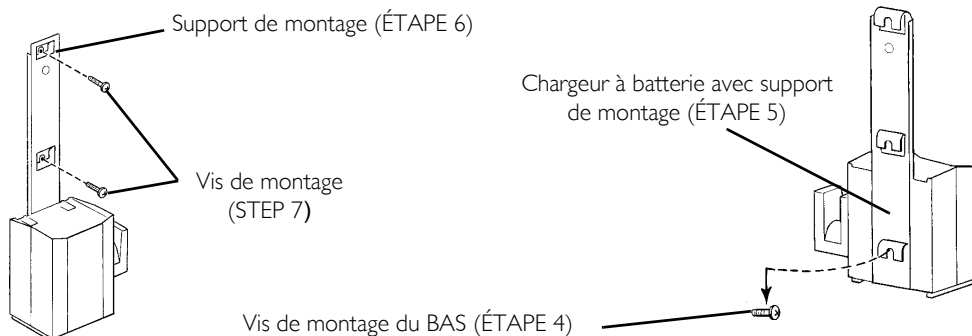


6.2 Installer le Chargeur à Batterie

i Se référer aux instructions pour les procédures de montage adéquates.

1. Placer le chargeur à batterie avec le support de montage sur le mur à la position voulue.
2. À l'aide d'un crayon, marquer la position du MILIEU de l'orifice.
3. Mesurer 16.5 cm vers le bas à partir de la marque et percer un orifice de montage.
4. Installer la vis de montage du BAS et laisser un jeu de 3.2 mm entre la tête de la vis et le mur.
5. Installer le chargeur à batterie avec le support de montage sur la vis de montage du bas.
6. Percer les deux derniers orifices de montage.
7. Insérer les deux dernières vis de montage dans le support de montage et visser dans le mur. Bien serrer.
8. Brancher le chargeur à batterie dans la prise murale.

i La DEL "ON" (en marche) devrait s'allumer.



6 FONCTIONNEMENT

Charger les Batteries

- ❗ Invacare recommande de recharger la batterie quotidiennement pour prolonger sa durée de vie. Une alarme sonore résonnera lorsque la batterie est déchargée.

1. Soulever la poignée sur le dessus de la batterie.
2. Soulever la batterie et l'éloigner de la boîte de contrôle.



AVERTISSEMENT

S'assurer d'entendre le déclic qui confirme que la batterie est correctement installée, sans quoi des blessures ou des dommages peuvent survenir. Se référer à figure pour un montage adéquat.

3. Placer la batterie sur le chargeur à batterie tel qu'illustré. S'assurer de bien entendre le déclic.



La DEL s'allumera. Lorsque la charge est complétée, la DEL s'éteint.

Une batterie mettra quatre heures à se recharger complètement.

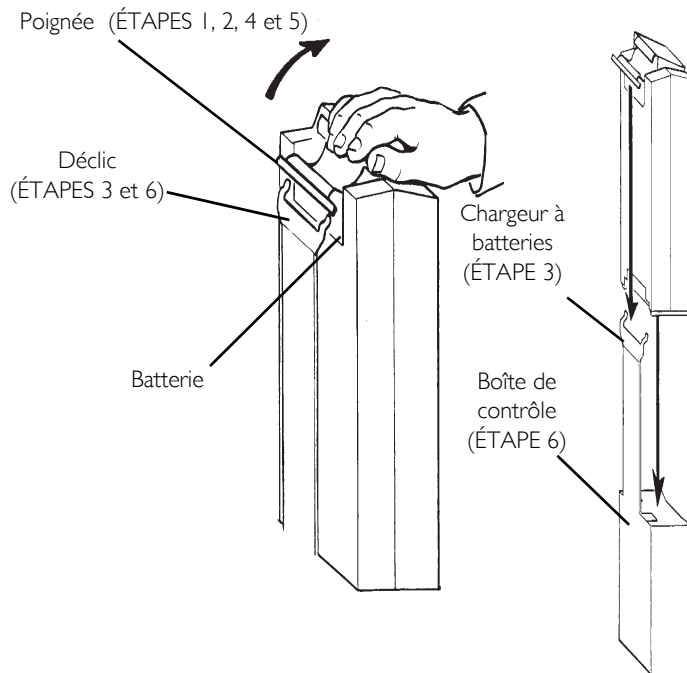
4. Soulever la poignée sur le dessus de la batterie.
5. Soulever la batterie et l'éloigner du chargeur à batterie.



AVERTISSEMENT

S'assurer d'entendre le déclic qui confirme que la batterie est correctement installée, sans quoi des blessures ou des dommages peuvent survenir. Se référer à figure pour un montage adéquat.

6. Réinstaller la batterie sur la boîte de contrôle tel qu'illustré. S'assurer d'entendre le déclic.



La batterie s'installe à la boîte de contrôle et au chargeur tel qu'illustré

7 Soulever Patient

7.1 Préparation Pour le Levage



Bien que Invacare recommande la présence de deux assistants pour la préparation du levage et pour les procédures de transferts de et vers, nos équipements peuvent opérer correctement avec un assistant seul. La présence d'un assistant seul sera basé sur l'opinion du médecin pour chaque cas individuel.

Préparer le lève-patient



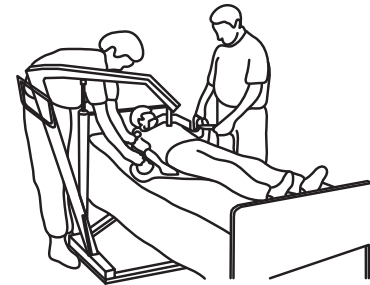
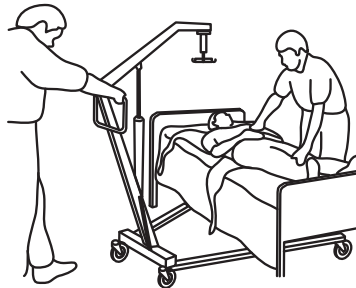
Se référer RÉSUMÉ DES CONSIGNES de la page 57 de ce manuel avant de continuer et respecter tous les avertissements. Avant de placer les pattes du lève-patient sous le lit, s'assurer que la zone est libre de toute obstruction.



AVERTISSEMENT

Pour garantir le maximum de stabilité et de sécurité, les pattes du lift doivent être en position ouverte extrême et le levier de déplacement en position verrouillée. S'il s'avérait nécessaire de refermer les pattes du lift pour le déplacer sous le lit, ne les refermer que le temps minimum nécessaire pour le placer au-dessus du patient et pour soulever le patient hors de son lit. Dès que les pattes du lift ne sont plus sous le lit, ramenez-les en position ouverte extrême et verrouillez immédiatement le levier de déplacement.

1. Une fois les pattes de la base en position OUVERTE et BLOQUÉE, utiliser la poignée pour placer le lève-patient.
2. Baisser le lève-patient pour faciliter l'installation de la toile.



7 SOULEVER PATIENT

Fixer la toile au lève-patient

Fixer la toile à l'aide de courroies de couleur codées

1. Placer les courroies de la toile sur les crochets de la barre à rotule.
2. Faire correspondre les couleurs de chaque côté de la toile pour soulever le patient à niveau, se référer à la figure.



Les toiles plein corps modèles R110 - R117 et les toiles de toilette modèles 120 - 122 ont quatre courroies. La toile croisée modèles 100 - 102 a six courroies.

Les barres à rotule du lève-patient Invacare possèdent trois points d'ancrage par côté. Le crochet du MILIEU est utilisé SEULEMENT avec les toiles qui ont trois jeux de courroies par côté ou les toiles utilisant des chaînes ou des courroies réglables.

3. Utiliser le lève-patient. Se référer à [Soulever/Déplacer le Patient](#) à la page 89.

SCHÉMA "A" - TOILE PLEIN CORPS OU ROBUSTE AVEC OU SANS OUVETURE (QUATRE COURROIES SEULEMENT)

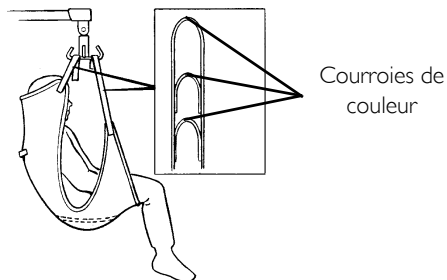
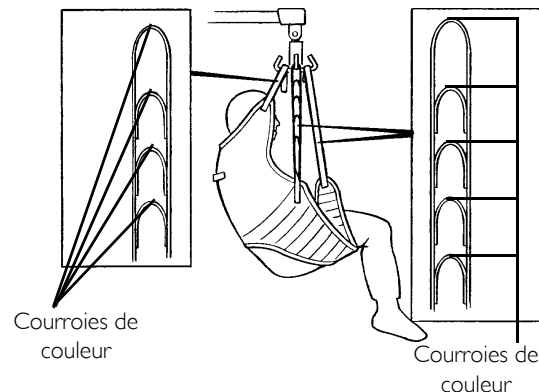


SCHÉMA "B" - TOILE CROISÉE AVEC OUVETURE (SIX COURROIES)



7.2 Soulever/Déplacer le Patient



Pour cette procédure, se référer à la FIGURE 7.1.

NE PAS bloquer les roulettes arrière lorsque le patient est installé dans le lève-patient.

1. Pomper la poignée du lève-patient ou appuyer sur le bouton UP (↑) pour soulever le patient au-dessus du lit. Le patient doit être suffisamment soulevé pour dégager le lit et pour que son poids soit entièrement supporté par le lève-patient.



Sur le lève-patient manuel/hydraulique, le mât demeurera en place jusqu'à ce que la valve de contrôle soit ouverte. Sur le lève-patient électrique, le mât demeurera en place jusqu'à ce que le bouton DOWN (↓) soit enfoncé.

2. Lorsque le patient est soulevé du lit, (la tête du patient supportée par la toile ou/et par l'assistant), il sera soulevé en position assise (Schema "A", FIGURE 7.1).




AVERTISSEMENT

Lorsque la toile est à quelques pouces de la surface du lit, et avant de déplacer le patient, vérifier si la toile est bien accrochée à la barre à rotule. Si les attaches NE SONT PAS bien en place, abaisser le patient sur la surface stationnaire et corriger le problème, sans quoi des blessures ou des dommages peuvent survenir.

Les ajustements pour le confort et la sécurité devraient être faits avant de déplacer le patient. Les bras du patient devraient être à l'intérieur des courroies.

Les toiles Invacare sont spécifiquement conçues pour être utilisées avec les lève-patients Invacare. Pour la sécurité du patient, NE PAS substituer les toiles et les lève-patients fabriqués par différents fabricants.

3. Une fois le patient soulevé au-dessus du lit, faire pivoter ses pieds à l'extérieur du lit (Schema "B", FIGURE 7.1).
 4. À l'aide de la poignée, éloigner le lève-patient du lit.
 5. Lorsque vous éloignez le patient du lit, le tourner de façon à ce qu'il soit face à l'assistant qui fait fonctionner le lève-patient (Schema "C", FIGURE 7.1).
 6. Appuyer sur le bouton DOWN (↓) (électrique) ou ouvrir la valve de contrôle (manuel/hydraulique) pour abaisser le patient de façon à ce que les pieds du patients soient appuyés sur la base du lève-patient, de chaque côté du mât. Fermer la valve de contrôle.
-  Le centre de gravité plus bas assure de la stabilité, donne de la confiance au patient et rend le lève-patient plus facile à déplacer.
7. Éloigner le lève-patient du lit et pousser par derrière avec les deux mains sur la poignée.

7 SOULEVER PATIENT

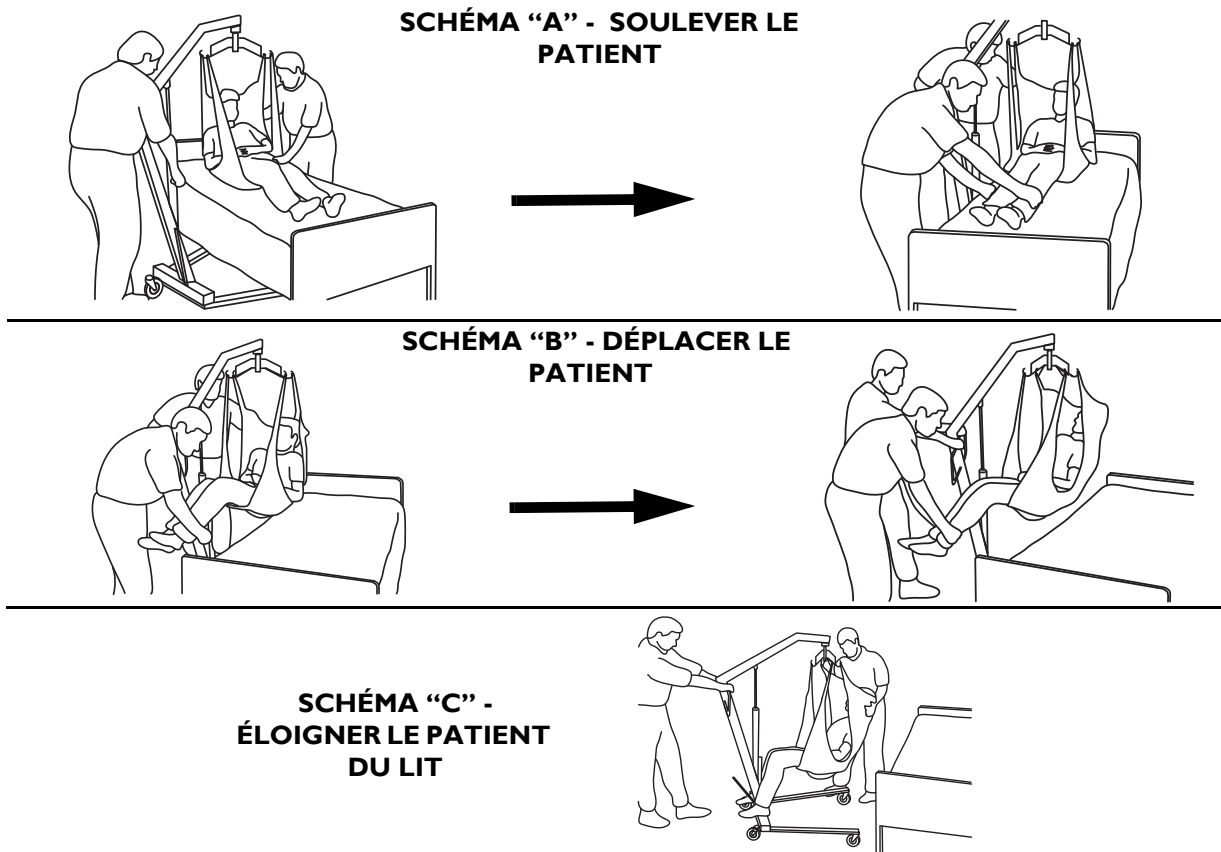


FIGURE 7.1 Soulever/Déplacer le Patient

8 Transférer le Patient

8.1 Transférer le Patient pour Utiliser une Chaise D'aisance ou une Toilette



Bien que Invacare recommande la présence de deux assistants pour la préparation du levage et pour les procédures de transferts de et vers, nos équipements peuvent opérer correctement avec un assistant seul. La présence d'un assistant seul sera basé sur l'opinion du médecin pour chaque cas individuel.

Les toiles avec ouverture sont conçues pour être utilisées sur une chaise d'aisance ou une toilette.



Invacare recommande de laisser les toiles fixées aux crochets de la barre à rotule pendant que le patient utilise la chaise d'aisance ou la toilette.



AVERTISSEMENT

Lorsque la toile est à quelques pouces de la surface du lit, et avant de déplacer le patient, revérifier si la toile est bien accrochée à la barre à rotule. Si les attaches **NE SONT PAS** bien en place, abaisser le patient sur la surface stationnaire et corriger le problème, sans quoi des blessures ou des dommages peuvent survenir.

Pour assurer la sécurité et le confort du patient, les réglages doivent être faits avant de déplacer le patient. Les bras du patient doivent être à l'intérieur des courroies.

Les toiles Invacare sont fabriquées pour être utilisées spécifiquement avec les lève-patients Invacare. Pour la sécurité du patient **NE PAS** interchanger les toiles et les lève-patients de différents manufacturiers.

Invacare recommande de **NE PAS** bloquer les roulettes arrière du lève-patient lorsque vous soulevez un patient. Cela pourrait faire basculer le lève-patient et mettre en danger le patient et l'assistant. Invacare **RECOMMANDE** de laisser les roulettes arrière **DÉBLOQUÉES** pendant la procédure de levage pour permettre au lève-patient de se stabiliser lorsque le patient est soulevé d'une chaise, d'un lit ou d'un autre objet fixe.

Pour garantir le maximum de stabilité et de sécurité, les pattes du lift doivent être en position ouverte extrême et le levier de déplacement en position verrouillée. S'il s'avérait nécessaire de refermer les pattes du lift pour le déplacer sous le lit, ne les refermer que le temps minimum nécessaire pour le placer au-dessus du patient et pour soulever le patient hors de son lit. Dès que les pattes du lift ne sont plus sous le lit, ramenez-les en position ouverte extrême et verrouillez immédiatement le levier de déplacement.

8 TRANSFÉRER LE PATIENT

Transférer vers une Chaise D'aisance

1. Avant de soulever du lit le patient, se référer à la Fixer la toile au lève-patient de la page 88. Pour le fonctionnement du lève-patient, se référer à la Fonctionnement de la page 78.
2. Le patient devrait être soulevé suffisamment haut pour dépasser les appuie-bras de la chaise d'aisance et pour que le poids du patient soit entièrement supporté par le lève-patient.
3. Avec l'aide de deux assistants, guider le patient sur la chaise d'aisance.
4. Abaisser le patient sur la chaise d'aisance en laissant la toile fixée aux crochets de la barre à rotule.
5. Une fois terminé, revérifier les attaches et soulever le patient de la chaise d'aisance.
6. Une fois le patient suffisamment soulevé de la chaise d'aisance (en utilisant la poignée de conduite), éloigner le lève-patient de la chaise d'aisance.
7. Pour ramener le patient sur le lit, inverser les procédures pour soulever le patient, pour le fonctionnement et pour fixer la toile.
8. Pour ramener ou installer le patient dans un fauteuil roulant se référer à la section Transférer vers un Fauteuil Roulant on page 95.

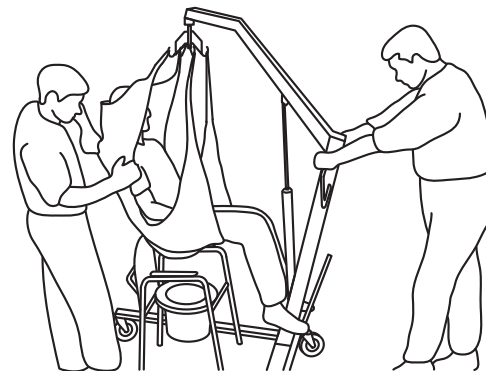


FIGURE 8.1 Transférer vers une Chaise D'aisance

Transférer vers une Toilette



Bien que Invacare recommande la présence de deux assistants pour la préparation du levage et pour les procédures de transferts de et vers, nos équipements peuvent opérer correctement avec un assistant seul. La présence d'un assistant seul sera basé sur l'opinion du médecin pour chaque cas individuel.

Le lève-patient Invacare N'est PAS conçu comme appareil de transport. Déplacer une personne suspendue dans la toile sur une longue distance N'est PAS recommandée. Si les toilettes NE SONT PAS près du lit ou si le lève-patient ne peut pas être déplacé facilement vers la chaise d'aisance, le patient DOIT être transféré dans un fauteuil et transporté aux toilettes, avant d'utiliser le lève-patient à nouveau pour installer le patient sur une chaise d'aisance standard. Se référer à Transférer vers un Fauteuil Roulant de la page 95.

Avant de transférer le patient, le lève-patient devrait être déplacé vers les toilettes pour vérifier s'il est possible de le déplacer facilement vers la chaise d'aisance.

1. Avant de soulever du lit le patient, se référer à la Fixer la toile au lève-patient de la page 72. Pour le fonctionnement du lève-patient, se référer à la FONCTIONNEMENT de la page 65.
2. Transporter le patient aux toilettes.
3. Le patient devrait être soulevé suffisamment haut pour dégager la toilette et pour que le poids du patient soit entièrement supporté par le lève-patient.
4. Avec l'aide des deux assistants, guider le patient sur la toilette.
5. Abaisser le patient sur la toilette en laissant la toile fixée aux crochets de la barre à rotule.
6. Une fois terminé, révéifier les attaches et soulever le patient de la toilette.
7. Une fois le patient suffisamment soulevé de la toilette (en utilisant la poignée de conduite), éloigner le lève-patient du toilette.
8. Pour ramener ou installer le patient dans un fauteuil roulant se référer à la section Transférer vers un Fauteuil Roulant de la page 95.
9. Pour ramener le patient sur le lit, inverser les procédures pour soulever le patient, pour le fonctionnement et pour fixer la toile.

8 TRANSFÉRER LE PATIENT

8.2 Transférer dans une Baignoire



Bien que Invacare recommande la présence de deux assistants pour la préparation du levage et pour les procédures de transferts de et vers, nos équipements peuvent opérer correctement avec un assistant seul. La présence d'un assistant seul sera basé sur l'opinion du médecin pour chaque cas individuel.



AVERTISSEMENT

Lorsque la toile est à quelques pouces de la surface du lit, et avant de déplacer le patient, revérifier si la toile est bien accrochée à la barre à rotule. Si les attaches **NE SONT PAS** bien en place, abaisser le patient sur la surface stationnaire et corriger le problème, sans quoi des blessures ou des dommages peuvent survenir.

Pour assurer la sécurité et de confort du patient, les réglages doivent être faits avant de déplacer le patient. Les bras du patient doivent être à l'intérieur des courroies.

Les toiles Invacare sont fabriquées pour être utilisées spécifiquement avec les lève-patients Invacare. Pour la sécurité du patient **NE PAS** interchanger les toiles et les lève-patients de différents manufacturiers.

Invacare recommande de **NE PAS** bloquer les roulettes arrière du lève-patient lorsque vous soulevez un patient. Cela pourrait faire basculer le lève-patient et mettre en danger le patient et l'assistant. Invacare **RECOMMANDE** de laisser les roulettes arrière **DÉBLOQUÉES** pendant la procédure de levage pour permettre au lève-patient de se stabiliser lorsque le patient est soulevé d'une chaise, d'un lit ou d'un autre objet fixe.

Pour garantir le maximum de stabilité et de sécurité, les pattes du lift doivent être en position ouverte extrême et le levier de déplacement en position verrouillée. S'il s'avérait nécessaire de refermer les pattes du lift pour le déplacer sous le lit, ne les refermer que le temps minimum nécessaire pour le placer au-dessus du patient et pour soulever le patient hors de son lit. Dès que les pattes du lift ne sont plus sous le lit, ramenez-les en position ouverte extrême et verrouillez immédiatement le levier de déplacement.



Il existe plusieurs types d'appareils pour la baignoire; ceci n'est qu'un exemple. Se référer aux instructions de votre appareil pour la baignoire et utiliser ces instructions conjointement avec celles de ce manuel de l'utilisateur.

1. Avant de soulever du lit le patient, se référer à la **Fixer la toile au lève-patient** de la page 72. Pour le fonctionnement du lève-patient, se référer à la **FONCTIONNEMENT** de la page 65.
2. Le patient devrait être soulevé suffisamment haut pour dégager le lit et être capable de glisser la baignoire portative sous le patient.
3. Abaisser le patient dans la baignoire.
4. Détacher la toile des crochets de la barre à rotule et fixer les courroies de la baignoire portative au lève-patient.
5. À l'aide du lève-patient, soulever chaque côté de la baignoire portative.

6. Baigner le patient.
7. Inverser les procédures pour ramener le patient dans son lit.

8.3 Transférer vers un Fauteuil Roulant



AVERTISSEMENT

Lorsque la toile est à quelques pouces de la surface du lit, et avant de déplacer le patient, revérifier si la toile est bien accrochée à la barre à rotule. Si les attaches **NE SONT PAS** bien en place, abaisser le patient sur la surface stationnaire et corriger le problème, sans quoi des blessures ou des dommages peuvent survenir.

Pour assurer la sécurité et de confort du patient, les réglages doivent être faits avant de déplacer le patient. Les bras du patient doivent être à l'intérieur des courroies.

Les toiles Invacare sont fabriquées pour être utilisées spécifiquement avec les lève-patients Invacare. Pour la sécurité du patient **NE PAS** interchanger les toiles et les lève-patients de différents manufacturiers.

Invacare recommande de **NE PAS** bloquer les roulettes arrière du lève-patient lorsque vous soulevez un patient. Cela pourrait faire basculer le lève-patient et mettre en danger le patient et l'assistant. Invacare **RECOMMANDE** de laisser les roulettes arrière **DÉBLOQUÉES** pendant la procédure de levage pour permettre au lève-patient de se stabiliser lorsque le patient est soulevé d'une chaise, d'un lit ou d'autre objet fixe.

Avant d'effectuer le transfert, vérifier si le fauteuil peut supporter le poids du patient.

Pour garantir le maximum de stabilité et de sécurité, les pattes du lift doivent être en position ouverte extrême et le levier de déplacement en position verrouillée. S'il s'avérait nécessaire de refermer les pattes du lift pour le déplacer sous le lit, ne les refermer que le temps minimum nécessaire pour le placer au-dessus du patient et pour soulever le patient hors de son lit. Dès que les pattes du lift ne sont plus sous le lit, ramenez-les en position ouverte extrême et verrouillez immédiatement le levier de déplacement.



Pour cette procédure, se référer à la **FIGURE 8.2** on page 96.

Avant de soulever du lit le patient, se référer à la **Fixer la toile au lève-patient** de la page 72. Pour le fonctionnement du lève-patient, se référer à la **FONCTIONNEMENT** de la page 65.

Bien que Invacare recommande la présence de deux assistants pour la préparation du levage et pour les procédures de transferts de et vers, nos équipements peuvent opérer correctement avec un assistant seul. La présence d'un assistant seul sera basé sur l'opinion du médecin pour chaque cas individuel.

1. S'assurer que les pattes du lève-patient (avec le patient) sont en position ouverte.
2. Déplacer le fauteuil en position.

8 TRANSFÉRER LE PATIENT

3. Enclencher les freins de blocage arrière du fauteuil pour l'empêcher de bouger.



AVERTISSEMENT

Les dispositifs de blocage des roues du fauteuil **DOIVENT** être enclenchés avant d'abaisser le patient dans le fauteuil roulant.



Utiliser les courroies ou les poignées situées sur le côté et derrière la toile pour guider les hanches du patient le plus au fond possible du siège.

4. Le patient est placé sur le siège avec le dos bien appuyé au dossier au fauteuil.
5. Commencer à abaisser le patient soit en ouvrant la valve de contrôle ou en appuyant sur le poussoir **DOWN** (↓).
6. Un assistant se place derrière le fauteuil et l'autre fait fonctionner le lève-patient. L'assistant placé derrière le fauteuil saisit et tire la poignée ou les côtés de la toile pour bien asseoir le patient au fond du siège. Ceci maintiendra un bon centre de gravité et empêchera le fauteuil de basculer.
7. Laisser la toile en place.



Enlever seulement si une toile divisée a été utilisée.

8. Pour retourner dans le siège, inverser les procédures pour soulever le patient, pour le fonctionnement et pour fixer la toile.



AVERTISSEMENT

Bien vérifier les attaches de la toile chaque fois que la toile est enlevée et remise, pour s'assurer qu'elle est bien fixée avant de soulever le patient du lit ou du fauteuil.

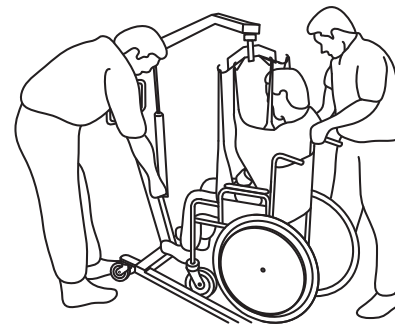
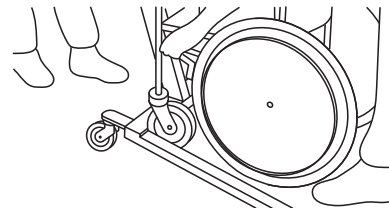
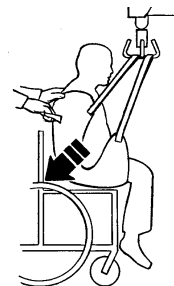


FIGURE 8.2 Transférer vers un Fauteuil Roulant

9 Dépannage

SYMPTÔMES	CAUSE PROBABLE	SOLUTION
Lève-patient semble lâche.	Joint base/mât déserré. Serre-fils des tiges sont lâches.	Se référer à <u>ASSEMBLAGE</u> de la page 61. Se référer à <u>Maintenir le réglage de la base</u> de la page 87.
Roulettes/freins bruyants ou raides.	Présence de poussière ou de débris dans les roulements.	Se référer à <u>Remplacer les Roulettes et/ou les Fourches</u> de la page 87.
Pivots bruyants ou bruit sec.	Besoin de lubrification.	Se référer à <u>Lubrification</u> de la page 83.
Huile coule des pièces hydrauliques.	Pompe hydraulique nécessite un entretien.	Se référer à <u>Remplacer la Pompe Manuelle/Hydraulique</u> de la page 84 et Se référer à <u>Remplacer le Déclencheur Électrique</u> de la page 85. Contacter votre fournisseur.
La pompe manuelle/hydraulique ne lève pas lorsque pompée.	Valve de contrôle pas complètement fermée. Pompe manuelle/hydraulique nécessite un entretien.	Fermer la valve de contrôle. Se référer à <u>Remplacer la Pompe Manuelle/Hydraulique</u> de la page 84 et <u>Remplacer le Déclencheur Électrique</u> de la page 85. Contacter votre fournisseur.

9 DÉPANNAGE

SYMPTÔMES	CAUSE PROBABLE	SOLUTION
<p>Le lève-patient station debout ne lève pas lorsque le bouton du déclencheur est appuyé.</p>	<p>Connecteur du contrôle manuel ou du déclencheur lâche.</p> <p>Batteries faibles (à plat).</p> <p>Bouton d'arrêt d'urgence rouge est enfoncé.</p> <p>Batteries non connectées correctement à la boîte de contrôle.</p> <p>Bornes de raccordement endommagées.</p> <p>Déclencheur électrique requiert entretien ou charge trop élevée.</p>	<p>Vérifier les connexions.</p> <p>Charger les batteries. Se référer à <u>Charger les Batteries</u> de la page 70.</p> <p>Tourner le bouton d'arrêt d'urgence ROUGE DANS LE SENS DES AIGUILLES D'UNE MONTRE jusqu'à ce qu'il ressorte.</p> <p>Reconnecter la batterie à la boîte de contrôle. Se référer à <u>Charger les Batteries</u> de la page 70.</p> <p>Remplacer l'ens de batteries. Se référer à <u>Charger les Batteries</u> de la page 70.</p> <p>Se référer à <u>Remplacer la Pompe Manuelle/Hydraulique</u> de la page 84 et Se référer à <u>Remplacer le Déclencheur Électrique</u> de la page 85. Contacter votre fournisseur.</p>
<p>Bruit inhabituel du déclencheur.</p>	<p>Déclencheur usé ou endommagé ou arbre plié.</p>	<p>Se référer à <u>Remplacer la Pompe Manuelle/Hydraulique</u> de la page 84 et Se référer à <u>Remplacer le Déclencheur Électrique</u> de la page 85. Contacter votre fournisseur.</p>
<p>Les bras du lève-patient ne se baisse plus une fois complètement levés.</p>	<p>Bras du lève patient requièrent un minimum de poids pour baisser.</p>	<p>Appuyer légèrement sur les bras du lève-patient station debout.</p>

SYMPTÔMES	CAUSE PROBABLE	SOLUTION
Le boulon à épaulement à la jonction du mât peut ne pas être bien installé.	S'assurer que le boulon à épaulement est complètement inséré dans l'orifice de montage et non pas seulement la portion fileté.	Se référer à <u>Vérifier et serrer le boulon à pivot du mât</u> de la page 85.



Si les problèmes ne sont pas résolus par les solutions mentionnées, contacter le fournisseur ou Invacare.

10 Entretien

10.1 Liste D'inspections pour L'entretien

PIÈCES	DE BASE	INSTITUTIONNEL VÉRIFIER/RÉGLER I/MOIS	INSPECTION À LA MAISON TOUS LES SIX MOIS
BASE DES ROULETTES			
Vérifier s'il manque de la quincaillerie.	X	X	X
Base ouvre et ferme facilement.	X	X	X
Vérifier si les roulettes/boulons sont serrés. Vérifier si les roulettes tournent bien.	X	X	X
Inspectez les roues et éliminez les déchets.	X	X	X
LEVIER			
Fonctionne en douceur.	X	X	X
Bloque la base réglable lorsqu'enclenché.	X	X	X
LE MÂT			
Mât DOIT être bien fixé à la perche.	X	X	X
Vérifier s'il n'est pas plié ou endommagé.	X	X	X

PIÈCES	DE BASE	INSTITUTIONNEL VÉRIFIER/RÉGLER 1/MOIS	INSPECTION À LA MAISON TOUS LES SIX MOIS
LA PERCHE Vérifier toute la quincaillerie et la barre à rotule/support. Vérifier si elle n'est pas pliée ou endommagée. Vérifier si les joints boulonnés sont usés. Vérifier si la perche est bien centré entre les deux pattes de la base. Vérifier le boulon du pivot du mât sous le protecteur de caoutchouc. S'assurer que le boulon est bien serré.	X X X X X X	X X X X X X	X X X X X X
LA BARRE À ROTULE Vérifier si le boulon/crochets sont usés ou brisés. Vérifier si les crochets sont usés ou pliés.	X X	X X	X X
POMPE MANUELLE/HYDRAULIQUE/DÉCLENCHÉUR ÉLECTRIQUE Vérifier s'il y a des fuites. Vérifier la quincaillerie du mât et de la perche. Vérifier s'il y a usure ou dommage. (SI ENDOMMAGÉE, RETOURNER À L'USINE). S'assurer que le fonctionnement est silencieux.	X X X X	X X X X	X X X X
POIGNÉE DE LA POMPE Vérifier si elle fonctionne bien.	X	X	X

10 ENTRETIEN

PIÈCES	DE BASE	INSTITUTIONNEL VÉRIFIER/RÉGLER I/MOIS	INSPECTION À LA MAISON TOUS LES SIX MOIS
VALVE DE CONTRÔLE Ouvre et ferme facilement.	X	X	X
NETTOYAGE Lorsque nécessaire.	X	X	X
TOILES ET QUINCAILLERIE VÉRIFIER TOUTES LES ATTACHES DE LA TOILE à chaque utilisation pour vérifier les raccords et pour la sécurité du patient. Vérifier si le tissu de la toile est usé. Vérifier si les courroies sont usées.	X X X	X X X	X X X



Pour l'utilisation domestique, une inspection complète est requise pour chaque nouvel utilisateur.

Un nettoyage régulier permettra de voir les pièces lâches ou usées, améliorera la douceur de fonctionnement et prolongera la durée de vie du lève-patient.

Suivre les procédures d'entretien décrites dans ce manuel pour garder votre lève-patient en bon état de fonctionnement.

Le lève-patient d'Invacare est conçu pour procurer un maximum de sécurité, d'efficacité et de satisfaction, avec un minimum d'entretien.

Toutes les pièces du lève-patient sont fabriquées avec de l'acier de grade supérieur; cependant, l'usage intensif du produit entraîne une usure normale du métal par frottement métal sur métal.

Aucun réglage ou entretien des roulettes ou des freins n'est nécessaire mis à part le nettoyage, la lubrification et la vérification des essieux et des boulons de la barre à rotule. Enlever tout débris des roues et des roulements de la barre à rotule. Si des pièces sont usées, les remplacer immédiatement.

Si vous doutez de la sécurité de certaines pièces, contactez votre fournisseur immédiatement et l'avisez du problème.

10.2 Lubrification

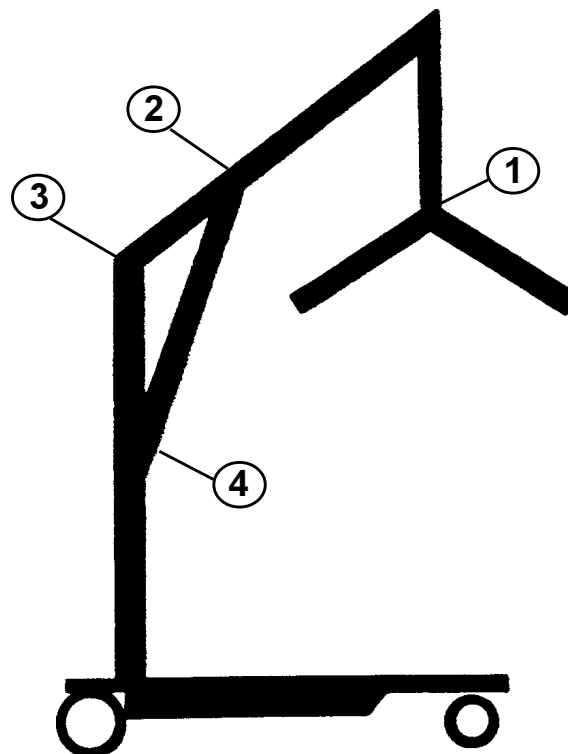
Le lève-patient est conçu pour nécessiter un minimum d'entretien, toutefois, une vérification et une lubrification tous les six mois assurent sécurité et fiabilité.

Garder les toiles et les courroies propres et en bon état de fonctionnement. Aviser votre fournisseur de tout défaut le plus rapidement possible.

Les roulettes DOIVENT tourner librement et uniformément. Une graisse légère peut être appliquée une fois l'an (lubrifiant hydrofuge pour voiture) au roulement à billes de la barre à rotule des roulettes. En appliquer plus souvent si les roulettes sont exposées à des conditions très humides.

Se référer au diagramme de lubrification pour connaître les endroits à lubrifier. Essuyer tout excès de lubrifiant de la surface du lève-patient.

1. Barre à rotule
2. Support de montage de la perche
3. Bâti du mât/perche
4. Support de montage du mât



10 ENTRETIEN

10.3 Usure et Dommages

Il est important d'inspecter toutes pièces soumises à un stress, telles que les toiles, la barre déplisseuse et tous les pivots pour les toiles; vérifier s'il y a des signes de craquelure, d'effilochement, de déformation ou de détérioration. Remplacer toutes les pièces défectueuses immédiatement et s'assurer que le lève-patient n'est pas utilisé avant d'être réparé.

10.4 Nettoyage

La toile doit être lavée régulièrement dans une eau dont la température n'excède pas 180 °F (82 °C) et une solution biocide (antibiologique). Seul un linge doux mouillé dans une eau contenant un savon doux est nécessaire pour nettoyer le lève-patient. Le lève-patient peut être nettoyé avec des nettoyeurs non abrasifs.

10.5 Pompe Hydraulique/Manuelle



For this procedure, refer to FIGURE 10.1 on page 105.

Toutes les pièces de la pompe manuelle/hydraulique sont usinées avec précision puis assemblées et testées avec soin pour en assurer un bon fonctionnement. L'ensemble de la pompe est complètement fermé et scellé avec des rondelles de néoprène pour empêcher les fuites d'huile hydraulique. Avec le temps, une petite quantité d'huile (environ une goutte) s'accumulera autour du piston; elle devra être enlevée avec un mouchoir.



AVERTISSEMENT

La pompe est scellée en usine. **NE PAS** tenter d'OUVRIR la pompe ou de la faire réparer par un réparateur local, sans quoi la garantie sera ANNULÉE et des dommages coûteux pourraient survenir. Consulter votre fournisseur ou écrire à Invacare pour plus de renseignements.

Remplacer la Pompe Manuelle/Hydraulique

1. Déserrer l'écrou qui fixe la rotule ou la bille de la pompe dans la douille de montage.
2. Appuyer la perche sur votre épaule et enlever l'écrou, le boulon et la bague de plastique du support de montage de la perche.
3. Enlever la pompe.
4. Inverser les étapes pour la réinstallation..



ATTENTION

NE PAS trop serrer le boulon et l'écrou. Ceci endommage le support de montage.

Remplacer le Déclencheur Électrique

1. Enlever l'écrou, la rondelle et le boulon à épaulement qui fixent le déclencheur électrique au support de montage du mât.
2. Appuyer la perche sur votre épaule et enlever l'écrou, le boulon et la bague de plastique du support de montage de la perche.
3. Enlever l'ensemble du déclencheur électrique.
4. Inverser les étapes pour la réinstallation..



ATTENTION

NE PAS trop serrer le boulon et l'écrou. Ceci endommage le support de montage.

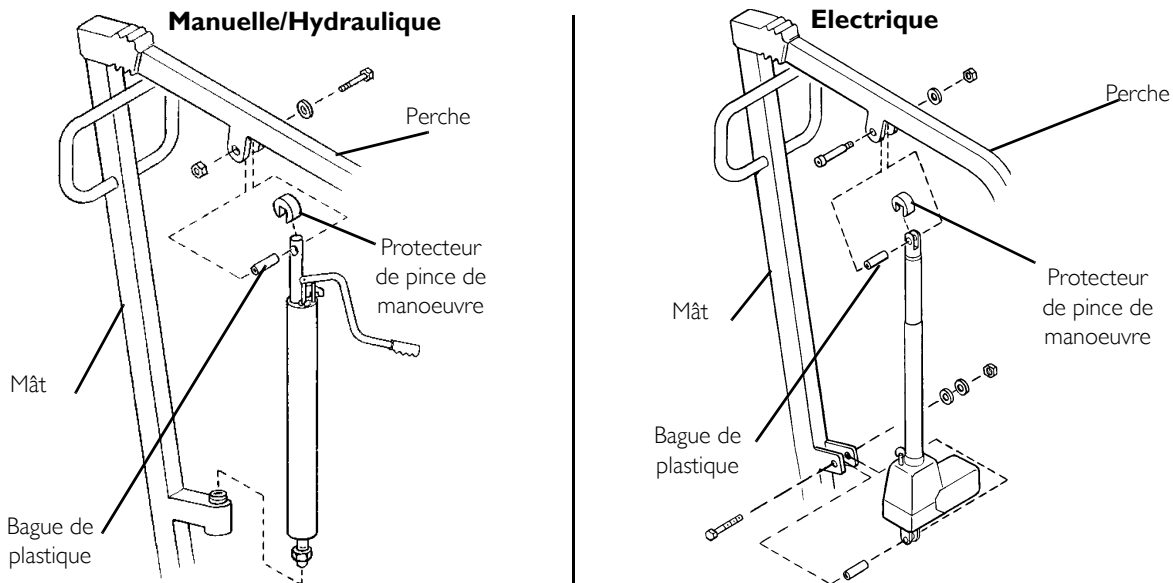
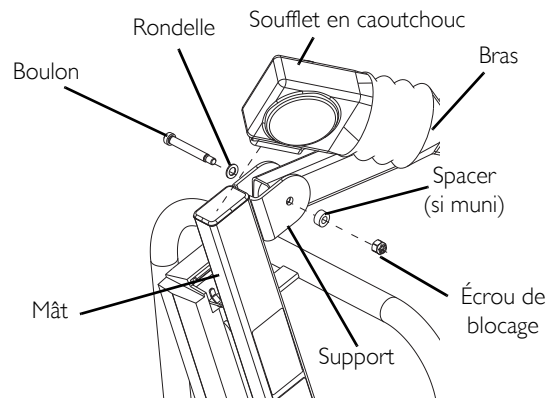


FIGURE 10.1 Pompe Hydraulique/Manuelle - Pompe Hydraulique/Manuelle -Remplacer le Déclencheur Électrique

10 ENTRETIEN

Vérifier et serrer le boulon à pivot du mât

1. Soulever l'arrière du soufflet en caoutchouc et le glisser le long du bras.
2. Vérifier si le boulon est inséré dans le support et si l'écrou de blocage est serré et sécuritaire.
3. Si nécessaire, exécuter une ou plusieurs des étapes suivantes:
 - Serrer l'écrou de blocage et reculer l'écrou de blocage de 1/8 de tour.
 - Remplacer l'écrou de blocage.
4. Replacer le soufflet en caoutchouc.



10.6 Remplacer la Barre à Rotule



AVERTISSEMENT

Après la première année d'utilisation, les crochets de la barre à rotule et des supports de montage de la perche devraient être vérifiés tous les six mois pour évaluer l'usure. Si ces pièces deviennent usées, les remplacer.



For this procedure, refer to FIGURE 10.2 on page 107.

1. La barre à rotule est fournie fixée à la perche avec un boulon, un écrou, des rondelles, une bague de plastique et un protecteur.
 - ⓘ Les rondelles doivent être placées des deux côtés du support de montage de la perche pour empêcher les dommages. La barre à rotule a trois crochets aux deux extrémités pour fixer la toile qui supporte le patient pendant la levée.
2. Enlever la quincaillerie et remplacer la barre à rotule.



ATTENTION

NE PAS trop serrer l'écrou et le boulon. Ceci endommage le support de montage.

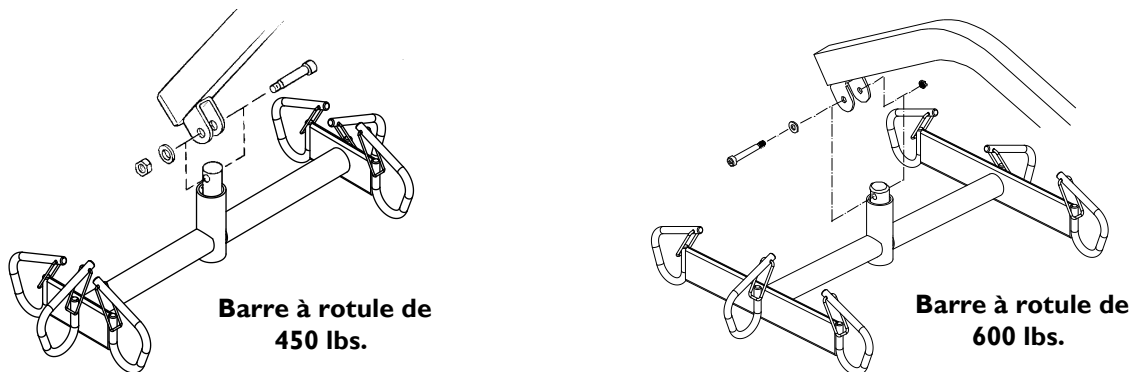
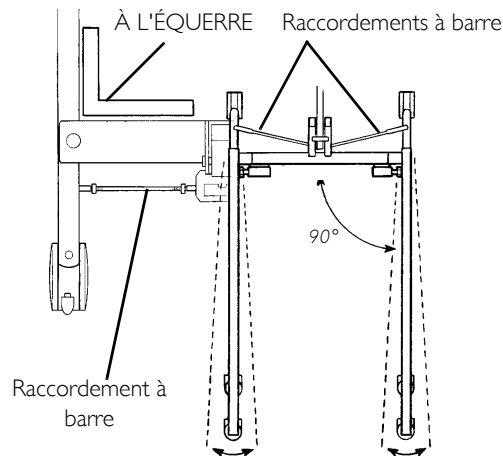


FIGURE 10.2 Remplacer la Barre à Rotule

10.7 Maintenir le réglage de la base

Le réglage de la base ne devrait nécessiter que l'entretien suivant:

1. Vérifier si les pattes sont à l'ÉQUERRE lorsqu'elles sont FERMÉES.
2. Placer une équerre à l'intérieur des pattes et de la base et déterminer l'angle à 90°.
3. Régler les raccords à barre pour obtenir un angle de 90°.



10 ENTRETIEN

10.8 Remplacer les Roulettes et/ou les Fourches

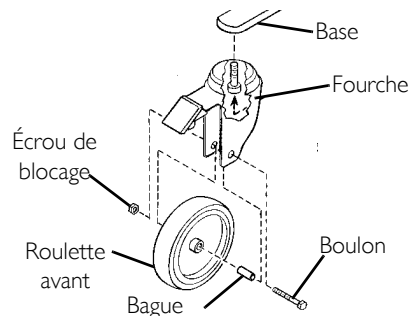
Roulettes Arrière

1. Placer le lève-patient sur le côté.
2. Enlever le boulon et l'écrou de blocage qui fixent la roulette arrière à la fourche.



La bague sera lâche et pourrait tomber de la roulette. La bague existante sera réutilisée. L'examiner et la remplacer si elle est usée.

3. Installer la nouvelle/ancienne bague dans la nouvelle roulette arrière.
4. Aligner les orifices de montage de la nouvelle roulette et de la fourche.
5. Insérer le boulon dans la fourche et la nouvelle roulette arrière et bien serrer avec l'écrou de blocage.



Roulettes Avant

1. Placer le lève-patient debout sur le côté.
2. Enlever le boulon et l'écrou de blocage qui fixent la roulette avant à la fourche.

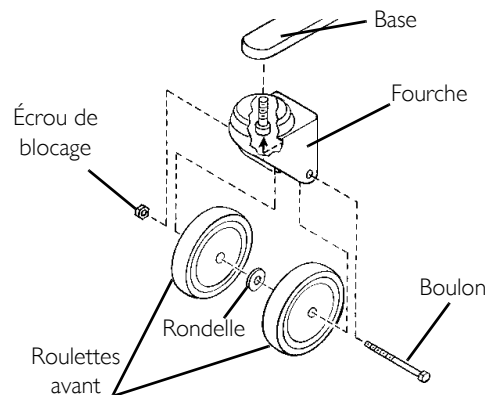


L'ensemble des roulettes avant est composé d'une rondelle placée entre deux roulettes.

La rondelle tombera des deux roulettes.

La rondelle existante sera réutilisée. L'examiner et la remplacer si elle est usée.

3. Placer la nouvelle/ancienne rondelle entre les deux nouvelles roulettes.
4. Aligner les orifices de montage des nouvelles roulettes et de la fourche.
5. Insérer le boulon dans la fourche et le nouvel ensemble de roulettes et bien serrer avec l'écrou de blocage.



Fourches

1. Placer le lève-patient debout sur le côté.
2. Enlever les roulettes avant et arrière du lève-patient. Se référer à Remplacer les Roulettes et/ou les Fourches de la page 108.
3. Dévisser la fourche de la base.
4. Installer la nouvelle fourche sur la base.
5. Installer les roulettes avant et arrière sur le lève-patient debout. Se référer à Remplacer les Roulettes et/ou les Fourches de la page 108.

II Accessories

II.1 Pèse-personne Reliant RLS6

Le pèse-personne Reliant est une balance de précision compacte spécifiquement conçue pour les lève-patients Invacare.



AVERTISSEMENT

NE PAS installer ou utiliser cet équipement sans d'abord avoir lu et compris ces instructions. Si vous ne comprenez pas les avertissements, les notes attention ou les instructions, contacter un professionnel des soins de santé, un fournisseur ou un technicien avant de tenter d'installer cet équipement, sans quoi des blessures ou des dommages peuvent survenir.

Enlever la barre à rotule



Pour cette procédure, se référer à la FIGURE 11.1.

1. Enlever le boulon à épaulement, l'écrou de blocage, le protecteur et la rondelle qui fixent la barre à rotule sur le support de montage du bras.



Conserver le boulon à épaulement, en acier et l'écrou de blocage pour fixer le pèse-personne au bras. Le protecteur ne servira pas lorsque le pèse-personne sera installé. Le conserver pour l'utiliser sur la barre à rotule sans pèse-personne.

Enlever la quincaillerie de la barre à rotule permet de dégager la barre à rotule, les deux rondelles en nylon et la tige de la barre. Conserver la tige et les deux rondelles en nylon pour les utiliser sur la barre à rotule sans pèse-personne.

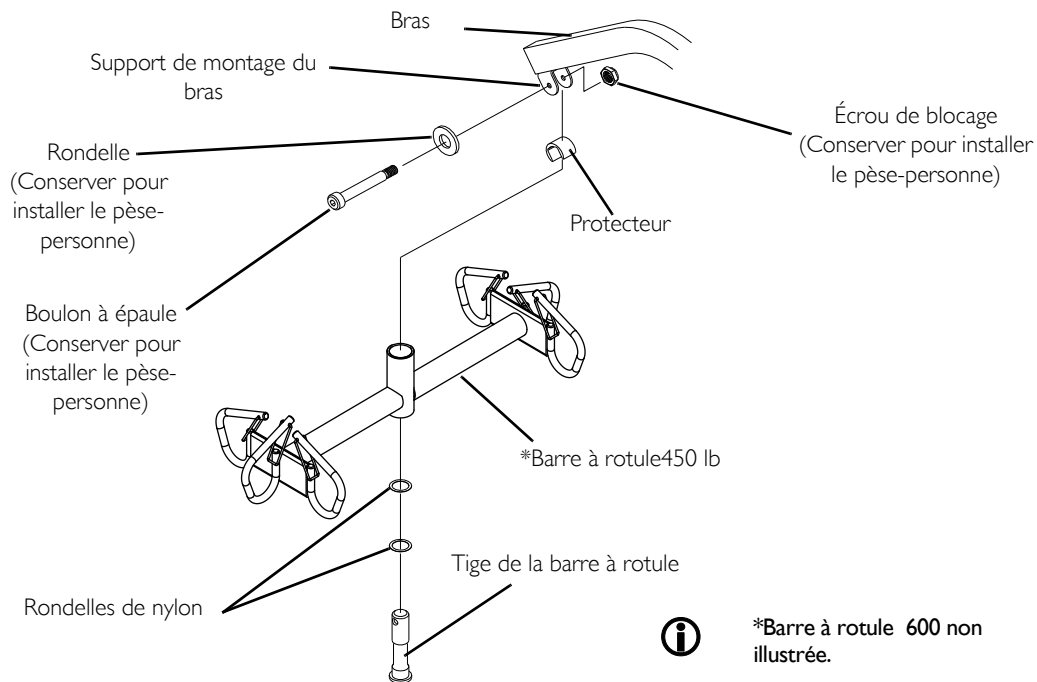


FIGURE 11.1 Enlever la barre à rotule

11 ACCESSORIES

Installer le pèse-personne Reliant



Pour cette procédure, se référer à la FIGURE 11.2.



AVERTISSEMENT

Le patient et la toile DOIVENT être enlevés du lève-patient pendant TOUTES les procédures d'installation.

1. Placer la cellule du pèse-personne dans le support de montage du bras. Se référer au Schéma "A" de la FIGURE 11.2.



Utiliser une rondelle en nylon de 1/4 po.

2. Fixer le pèse-personne au support de montage du bras avec le boulon à épaulement, une petite rondelle en acier, deux rondelles en nylon et l'écrou de blocage. Bien serrer. Se référer au schéma "A" de la FIGURE 11.2 pour connaître l'orientation de la rondelle.



S'assurer que l'arbre du boulon à épaulement passe au travers des deux côtés du support de montage du bras.

3. Insérer la tige de la barre à rotule avec deux rondelles en nylon dans la barre à rotule. Se référer au Schéma "B" de la FIGURE 11.2.
4. Aligner les orifices de montage de la barre à rotule avec les orifices de montage de la cellule. Se référer au schéma "B" de la FIGURE 11.2.
5. Fixer la tige de la barre à rotule dans le cellule avec la vis de montage et l'écrou de blocage fournis. Bien serrer. Se référer au Schéma "B" de la FIGURE 11.2.



AVERTISSEMENT

Après tout réglage, réparation ou entretien, et AVANT utilisation, s'assurer que toute la quincaillerie de fixation est bien serrée, sans quoi des blessures ou des dommages peuvent survenir.

6. Peser le patient. Se référer à Fonctionnement du pèse-personne on page 114 et Peser le patient de la page 115.

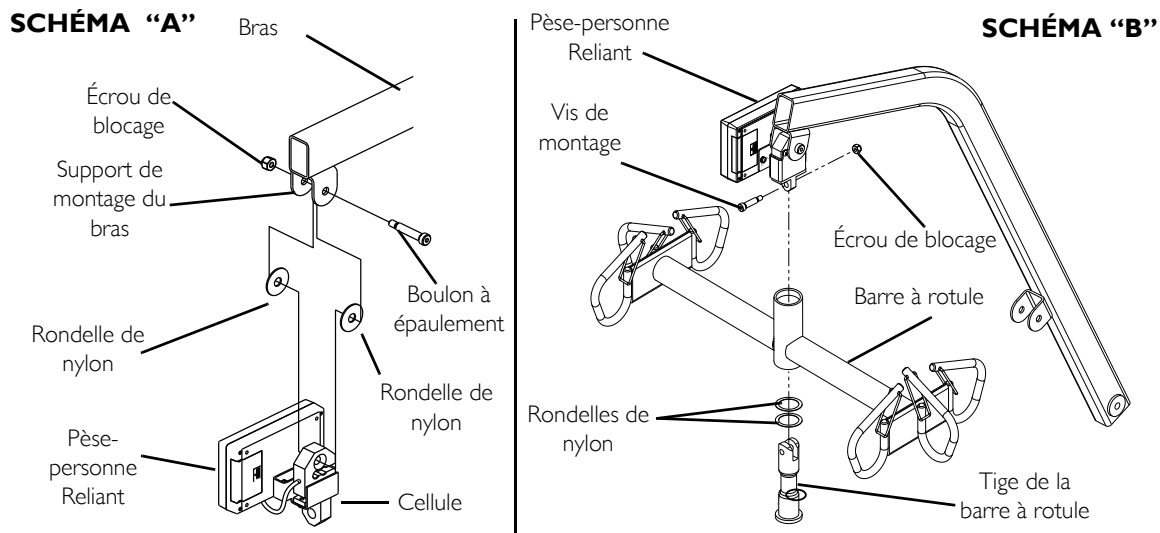


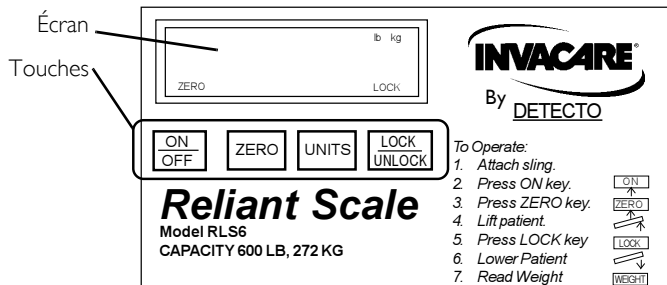
FIGURE II.2 Installer le pèse-personne Reliant

II ACCESSORIES

II.2 Fonctionnement du pèse-personne

Fonction des touches

TOUCHES	VOYANTS	EMPLACEMENT DES VOYANTS	DÉFINITION
ON OFF	OFF	Centre de l'écran	Appuyer sur cette touche allumera le pèse-personne. Lorsque le pèse-personne est déjà allumé, appuyer sur cette touche éteindra l'unité.
ZERO	ZERO	Coin inférieur gauche de l'écran	Appuyer sur cette touche lorsque le pèse-personne est allumé remettra à zéro la lecture du poids affiché à l'écran.
UNITS	lb or kg	Coin supérieur droit de l'écran	Cette touche sert à changer les unités de mesure de livres(lb) à kilogrammes (kg).
(Verrouillé) LOCK (Déverrouillé) UNLOCK	(Verrouillé) LOCK	Coin inférieur droit de l'écran.	Cette touche est utilisée pour VERROUILLER ou DÉVERROUILLER la valeur du poids affiché à l'écran. NOTE: Lorsque la touche est utilisée en position VERROUILLÉE (LOCK), la valeur du poids affichée est une valeur sauvegardée et ne représente pas le poids courant.
N/D	(Batterie Faible) LO BAT	Centre de l'écran	Le voyant s'allume à l'écran pour aviser que la charge des batteries est faible.






II.3 Peser le patient



AVERTISSEMENT

La limite de poids est limitée à la limite de poids la plus faible de toutes les composantes utilisées (ex: lève-patient, pèse-personne ou toile). Le poids du patient NE DOIT PAS dépasser la limite de poids la plus faible des composantes utilisées. NE PAS utiliser d'objets pointus pour appuyer sur les touches (ex. crayons, stylo, ongles etc). Les touches seront endommagées.

1. Fixer les courroies à la barre à rotule. For proper attachment instructions refer to Fixer la toile au lève-patient on page 88.
 -  Pour plus de précision sur les lève-patient Reliant 450 et 600, fixer toutes les courroies de la toile aux crochets du centre sur les deux côtés de la barre à rotule. Toutefois, pour le confort du patient, les courroies de la toile devront peut-être être fixées différemment.
2. Appuyer sur la touche ON\OFF.
 -  L'écran indique la dernière valeur de poids mesuré. Le mot 'LOCK'(verrouillé) sera affiché à l'écran. Appuyer sur la touche ZERO afin d'éviter de saisir le poids de la toile et de la quincaillerie. Si la touche ZERO n'est pas enfoncée, le poids de la toile et de la quincaillerie sera inclus dans la valeur du poids affiché. Ne pas remettre à zéro donnera une fausse lecture du poids de l'utilisateur.
3. Appuyer sur la touche ZERO. Lorsque la touche ZERO est enfoncée, voici ce qui arrive:
 - A. Le pèse-personne se remettra à zéro et le mot 'ZERO' apparaîtra à l'écran.
 - B. La fonction de verrouillage sera éteinte et le mot 'LOCK' disparaîtra de l'écran. Le pèse-personne est maintenant actionné et met continuellement à jour le poids affiché.
 -  Le pèse-personne est maintenant actionné et met continuellement à jour le poids affiché.
4. Placer le patient dans la toile. Pour placer le patient dans la toile, se référer aux instructions de FONCTIONNEMENT de la page 65.
5. Actionner le mécanisme pour soulever le patient jusqu'à ce qu'il soit complètement soulevé par le lève-personne. Pour les instructions, se référer à Fixer la toile au lève-patient de la page 72.
6. Noter la valeur du poids affiché.
7. Lorsque la valeur du poids affiché est stable, appuyer sur la touche LOCK pour verrouiller la valeur du poids. Le mot LOCK apparaîtra à l'écran.

11 ACCESSORIES

i Le poids du patient restera affiché à l'écran. L'écran s'éteindra automatiquement après deux minutes d'inutilisation. (Aucune variation de lecture de plus de 5 livres (2 kg)). Vous NE pouvez PAS régler le délai de fermeture automatique. Une fois l'écran éteint, le poids peut être ramené à l'écran en appuyant sur la touche ON/OFF. L'unité peut être éteinte en appuyant sur la touche ON/OFF à nouveau.

Une valeur stable est une valeur qui varie de 2\10 de livre. Par exemple, pour un patient pesant 100 livres, la valeur fluctuera de 99.8 à 100.2 livres jusqu'à ce que la touche LOCK soit enfoncée. La fluctuation de la valeur est normale. Appuyer sur la touche LOCK pour verrouiller la valeur du poids.

Appuyer sur la touche UNITS (unités) pour changer les unités de livres à kilogrammes. lb ou kg apparaîtra à l'écran.

8. Le lève-patient peut maintenant être abaissé et la toile enlevée du patient.

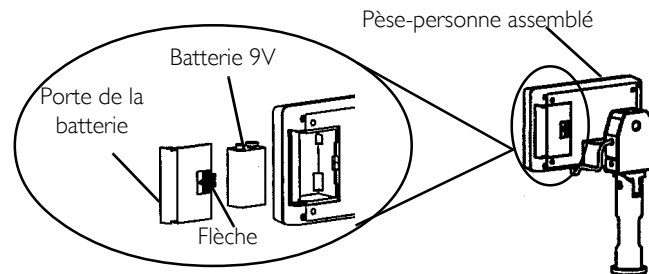
i Le poids du patient restera affiché à l'écran. L'écran s'éteindra automatiquement après deux minutes d'inutilisation. (Aucune variation de lecture de plus de 5 livres (2 kg)). Vous NE pouvez PAS régler le délai de fermeture automatique. Une fois l'écran éteint, le poids peut être ramené à l'écran en appuyant sur la touche ON/OFF. L'unité peut être éteinte en appuyant sur la touche ON/OFF à nouveau.

11.4 Remplacer la batterie

i Le pese-personne fonctionne avec une pile 9 volts alcaline qui devra être remplacée approximativement à toutes les 1500 lectures.

Lorsque la pile doit être changée, LO BAT apparaîtra à l'écran. Exécuter les étapes suivantes:

1. Glisser la porte dans le sens de la flèche pour l'ouvrir.
2. Enlever la batterie existante.
3. Installer la NOUVELLE batterie.
4. Réinstaller la porte.



Calibrer le pèse-personne



Le pèse-personne Reliant est précalibré en usine avec la cellule. Si vous devez calibrer à nouveau le pèse-personne, suivre les instructions suivantes.

1. Le patient et la toile doivent être enlevés du pèse-personne afin de pouvoir le calibrer adéquatement. Pour enlever le patient, se référer à Fixer la toile au lève-patient de la page 72. Pour enlever la toile, se référer à FONCTIONNEMENT de la page 65.
2. Avec le pèse-personne allumé, enlever les quatre vis à l'arrière du boîtier et enlever le couvercle avant pour dégager la plaque électronique.
3. Appuyer sur la touche CAL située sur la plaque électronique. La touche CAL n'est pas indentifiée, mais est simplement une touche sur la plaque, située dans le coin inférieur droit. Une fois la touche CAL enfoncée, le mot CAL1 apparaîtra à l'écran.



CAL1 permet de sélectionner le mode de calibrage avec un poids 50 livres de poids. CAL2 permet de sélectionner le mode de calibrage avec un poids de 200 livres. Appuyer sur la touche UNITS permet de passer de CAL1 à CAL 2.

4. Lorsque le mode de calibrage choisi est affiché, appuyer sur la touche LOCK\UNLOCK.



L'écran affichera UnLd.

5. S'assurer qu'il n'y a aucun poids sur le pèse-personne et appuyer sur la touche ZERO.
6. L'écran affichera une ligne pointillée (-----) et le mot LOAD (charge) apparaîtra à l'écran.
7. Exécuter une des étapes suivantes:
 - A. POUR L'OPTION CAL1 - accrocher un poids de 50 livres au pèse-personne et appuyer sur la touche ZERO.
 - B. POUR L'OPTION CAL2 - accrocher un poids de 200 livres au pèse-personne et appuyer sur la touche ZERO
8. L'écran affichera une ligne pointillée (-----) et le mot DONE (fait) apparaîtra à l'écran.
9. Enlever le poids du pèse-personne et appuyer sur la touche (LOCK\UNLOCK..)



L'unité sera en mode temporaire de test et ne verrouillera pas le poids affiché. Ceci permet de mettre et d'enlever le poids pour vérifier le calibrage.

10. Éteindre l'unité en appuyant sur la touche ON\OFF.
11. Allumer l'unité en appuyant sur la touche ON\OFF..



Le pèse-personne est maintenant en mode normal de fonctionnement.

11 ACCESSORIES

11.5 Dépannage

SYMPTÔME	CAUSE PROBABLE	SOLUTIONS
L'unité NE fonctionne PAS correctement.	Défaillance de la batterie	Vérifier la batterie. La remplacer si nécessaire
La batterie a été remplacée et l'unité NE fonctionne PAS encore correctement.		Contactez Invacare pour l'entretien au 1-800-333-6900

Codes

CAL	CALIBRATION REQUIRED - (calibrage requis): indique une mauvaise sauvegarde de la donnée de calibrage; le calibrage est nécessaire.
OCAP	OVER CAPACITY- (surcharge) indique que le poids dépasse la capacité du pèse-personne.

DISTRIBUIDOR: Este manual SE DEBE entregar al usuario del producto.

USUARIO: ANTES de usar este producto, lea este manual y guárdelo para futuras referencias.

1	INFORMACIÓN GENERAL	122
	Símbolos.....	122
	Advertencias	122
	Otros símbolos.....	122
	Garantía.....	123
2	SEGURIDAD	124
	Advertencias generales.....	124
	Información de funcionamiento.....	125
	Información general.....	125
	Puntos que presan y posicionamiento	125
	Armado del elevador	126
	Operación del elevador.....	126
	Uso de la eslinga.....	127
	Cómo levantar al paciente.....	128
	Cómo transferir al paciente	129
	Mantenimiento.....	129
	Eléctrica y conexión a tierra	130
	Eliminación de desechos.....	130
	Interferencia de Radio Frecuencia	131
3	ETIQUETADO DE PRODUCTO	132
4	INFORMACIÓN TÉCNICA	133
	Elevador de Pacientes	133
	Eslingas para Excusados, Piernas Separadas y Cuerpo Completo.....	134
	Balanza Reliant RLS6	134

CONTENIDOS

5	ENSAMBLADO	135
	Ensamblado del Levantador de Pacientes.....	135
	Desempacando el Levantador de Pacientes	135
	Ensamblando el Mastil a la Base.....	136
	Ensamblando la Bomba Manual/Hidráulica al Brazo.....	137
	Ensamblando el Actuador Electrico al brazo.....	138
	Cómo Instalar el Mango Transportador.....	139
6	OPERACION	140
	Operando el Levantador de Pacientes.....	140
	Para Cerrar/abrir Las Patas De La Base.....	140
	Subiendo/Bajando el Levantador Manual/Hidráulico	142
	Subiendo/Bajando el Levantador Electrico.....	144
	Cómo Activar un Relevo Mecánico de Emergencia	144
	Cómo Posicionar el Elevador para ser Usado	145
	Montando el Cargador de la Bateria.....	146
	Cargando la Bateria.....	147
7	LEVANTANDO AL PACIENTE	148
	Preparacion Antes de Levantar	148
	Cómo Posicionar el Elevador para ser Usado	148
	Cómo Ajustar las Eslingas al Elevador	149
	Lifting/Moving the Patient.....	150
8	TRANSFIRIENDO AL PACIENTE	152
	Transfiriendo al Paciente para que Use la Silla Comoda o la Comoda Estandar	152
	Transfiriendolo a una Silla en Forma de Comoda.....	153
	Transfiriendolo a una comoda estandar	154
	Transfiriendolo a una Unidad de Banarse	155
	Transfiriendolo a una Silla de Ruedas.....	156
9	GUIA DE REPARACIONES	158

10	MANTENIMIENTO	160
	Lista de Mantenimiento de Inspección de Seguridad.....	160
	Lubricacion	163
	Desgaste y Dano	164
	Limpieza.....	164
	Bomba Manual/Hidráulica.....	164
	Reemplazo de la Bomba Manual/Hidráulica.....	164
	Reemplazo el Actuador Electrico	165
	Cómo Verificar y Ajustar el Perno Pivote del Mástil	166
	Reemplazando la Barra Giratoria.....	166
	Mantenimiento del Montaje de la Base.....	167
	Reemplazando las Ruedas y/o las Horquillas.....	168
	Ruedas Traseras.....	168
	Ruedas de Enfrente.....	168
	Horquillas.....	169
11	ACCESORIOS	170
	Balanza Reliant RLS6	170
	Cómo Quitar la Barra Giratoria	170
	Instalación de la Balanza Reliant	172
	Operación de la Balanza.....	174
	Funciones del teclado.....	174
	Cómo pesar al Paciente.....	175
	Cambio de la Batería.....	176
	Calibración de la balanza Reliant.....	176
	Solución de Problemas.....	178
	Códigos del Visors.....	178

I Información general

I.1 Símbolos

Advertencias

En este manual, se usan palabras clave, y se aplican a peligros o prácticas no seguras que podrían tener como consecuencia alguna lesión personal o daño a la propiedad. Consulte la siguiente información para conocer las definiciones de las palabras clave.



PELIGRO

Peligro que indica una inminente situación peligrosa que, si no se evita, tendrá como consecuencia la muerte o una lesión grave.



ADVERTENCIA

Advertencia que indica una posible situación peligrosa que, si no se evita, podría tener como consecuencia la muerte o una lesión grave.



ADVERTENCIA

Advertencia que indica una posible situación peligrosa que, si no se evita, puede tener como consecuencia daños materiales o lesiones leves, o ambos.



IMPORTANTE

Indica una situación peligrosa que podría tener como consecuencia daños a la propiedad si no se evita.



Ofrece consejos útiles, recomendaciones e información para un uso eficaz y sin problemas.



ATENCIÓN, vea las instrucciones antes de usarlo.

Otros símbolos



Fecha de Fabricación

1.2 Garantía



Esta garantía ha sido escrita para cumplir con la ley federal de los Estados Unidos aplicable a productos después del 4 de Julio de 1975.

Esta garantía se extiende únicamente al comprador/usuario original de nuestros productos.

Esta garantía le da derechos legales específicos y usted pudiera tener otros derechos legales los cuales varían de estado a estado.

Invacare garantiza por un periodo de tres años, para el levantador y un año para la eslinga, bomba hidráulica / componentes eléctricos, que sus materiales y mano de obra están libres de defectos, desde la fecha de compra. Si dentro del periodo de la garantía se comprueba que el producto cubierto por la misma ha sido encontrado defectuoso, tal producto debe ser reparado o reemplazado a opción de Invacare. Esta garantía no incluye ninguna labor o cargos por envío incurridos por el reemplazo, instalación o reparaciones a tal producto, efectuados por el comprador o usuario. La única obligación de Invacare y el remedio exclusivo bajo esta garantía queda limitado a reparación y/o reemplazo.

Cuando necesite un servicio cubierto por la garantía, por favor pongase en contacto con el proveedor de su producto Invacare. En caso de no recibir un servicio de garantía satisfactorio, por favor escriba directamente a Invacare, a la dirección que se encuentra en la contraportada, suministrando el nombre del proveedor, dirección y la fecha de compra, e indicando la naturaleza del defecto.

Invacare le proveerá un número de registro. La unidad o piezas defectuosas **DEBEN** de ser retornadas para inspección bajo garantía, usando el número de serie que identifica el producto, cuando esto aplica, dentro de treinta días después de la fecha en que se expidió el número de registro. No envíe a la fábrica productos sin previo consentimiento. Entregas C.O.D. serán rehusadas. Sirvase pagar los cargos de envío.

LIMITACIONES Y EXCLUSIONES: LAGARANTÍA QUE PRECEDE NO APLICA A PRODUCTOS CON NUMEROS DE SERIE QUE HAN SIDO REMOVIDOS O MUTILADOS, QUE HAN SIDO SUJETOS A NEGLIGENCIA, ACCIDENTE, USO IMPROPIO, MANTENIMIENTO O ALMACENAMIENTO INAPROPIADO, PRODUCTOS MODIFICADOS SIN EL CONSENTIMIENTO EXPRESO DE INVACARE POR ESCRITO (INCLUYENDO, PERO NO LIMITADO A) MODIFICACION POR MEDIO DEL USO NO AUTORIZADO DE PARTES O ACCESORIOS;

PRODUCTOS DANADOS DEBIDO A REPARACIONES HECHAS CON PIEZAS NO AUTORIZADAS NI ESPECIFICADAS POR INVACARE, O PRODUCTOS DANADOS POR CIRCUNSTANCIAS TOTALMENTE FUERA DEL CONTROL DE INVACARE, Y TAL EVALUACION SERA DETERMINADA POR INVACARE SOLAMENTE. LA GARANTIA NO DEBE APLICAR A PROBLEMAS COMO RESULTADO DE DESGASTE NORMAL O DEBIDO A NO ADHERIRSE A LAS INSTRUCCIONES DE ESTE MANUAL.

LA GARANTIA QUE PRECEDE ES EXCLUSIVA Y TOMA EL LUGAR DE CUALQUIER OTRA GARANTIA EXPRESA. GARANTIAS IMPLICITAS MERCANTILES O ADAPTADAS PARA UN PROPOSITO EN PARTICULAR, NO DEBEN EXTENDER LA DURACION DE LA GARANTIA EXPRESADA AQUI, Y EL REMEDIO POR VIOLACIONES A CUALQUIER GARANTIA IMPLICITA DEBE DE SER LIMITADO A LA REPARACION O REEMPLAZO DEL PRODUCTO DEFECTUOSO CONFORME A LOS TERMINOS AQUI ESTABLECIDOS. INVACARE NO ES RESPONSABLE POR CUALQUIER DANO CONSECUENTE O INCIDENTAL EN ABSOLUTO EN ALGUNOS ESTADOS NO SE PERMITE LA EXCLUSION O LIMITACION A DANO CONSECUENTE O INCIDENTAL EN.

CUANTO A QUE TIEMPO LA GARANTIA IMPLICITA DURA. POR CONSIGUIENTE, DICHA EXCLUSION Y LIMITACION PODRIA NO APLICARLE A USTED.

ESTA GARANTÍA SE EXTENDERÁ PARA CUMPLIR LAS LEYES Y LOS REQUISITOS ESTATALES O PROVINCIALES.

2 Seguridad

La sección de seguridad contiene información importante para el funcionamiento y uso seguro de este producto.

2.1 Advertencias generales



ADVERTENCIA

NO USE ESTE PRODUCTO NI NINGÚN EQUIPO OPCIONAL DISPONIBLE SIN ANTES LEER Y COMPRENDER A CABALIDAD ESTAS INSTRUCCIONES Y CUALQUIER MATERIAL ADICIONAL, COMO MANUALES DEL PROPIETARIO, MANUAL DE MANTENIMIENTO U HOJAS DE INSTRUCCIÓN QUE SE PROPORCIONEN CON ESTE PRODUCTO O EQUIPO OPCIONAL. SI NO COMPRENDE LAS ADVERTENCIAS, PRECAUCIONES O INSTRUCCIONES, COMUNÍQUESE CON UN PROFESIONAL DE LA SALUD, DISTRIBUIDOR O PERSONAL TÉCNICO ANTES DE INTENTAR USAR ESTE EQUIPO. DE LO CONTRARIO, PUEDE SUFRIR LESIONES O PROVOCAR DAÑOS.



ADVERTENCIAS PARA ACCESORIOS

Los productos Invacare están específicamente diseñados y fabricados para su uso con accesorios Invacare. Los accesorios diseñados por otras empresas no los ha probado Invacare y no se recomiendan para su uso con productos Invacare.



AVISO

La información contenida en este documento esta sujeta a cambio sin previo aviso.

Inspeccione todas las piezas por cualquier dano durante el envío antes de usarlo. En caso de dano, NO use este equipo. Pongase en contacto con el proveedor para futuras instrucciones.

2.2 Información de funcionamiento

Información general



ADVERTENCIA

El levantador Invacare para pacientes NO es un aparato para transportacion. Su proposito es el de transferir a un individuo de una superficie de descanso a otra (tales como de una cama a una silla de ruedas).

NO intente hacer ninguna transferencia sin la aprobacion del medico del paciente, del asistente del medico o la enfermera. Lea completamente las instrucciones en este Manual, observe a un equipo de expertos realizar los procedimientos de levantado, y entonces practique varias veces el procedimiento, bajo la supervision apropiada y con una persona que este en buenas condiciones actuando como paciente.

Use sentido comun cada vez que vaya a levantar a un paciente. Especial cuidado DEBE de tomarse con personas invalidas que no pueden cooperar mientras se les levanta. Use cinturones de seguridad o agarraderas para sostener, si es necesario.

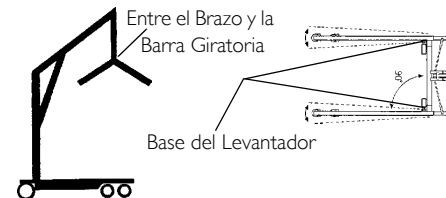
Las eslingas y los accesorios Invacare han sido especialmente disenados para ser usados en combinacion con los levantadores para pacientes Invacare. Las eslingas y accesorios disenados por otros fabricantes no son para ser utilizados como componentes de los sistemas de levantar hechos por Invacare. El uso de otros productos es prohibido y anulan la garantia de los levantadores para pacientes Invacare. Use solamente las eslingas y accesorios para levantadores de pacientes Invacare genuinos, para mantener la seguridad del paciente y la funcionalidad del producto.

Puntos que presan y posicionamiento



ADVERTENCIA

Puntos que presan, los dedos pueden ser presados. Cuando posicione el Levantador, asegúrese de la posición de la Barra Giratoria y el paciente. Daño físico puede ocurrir.



2 SEGURIDAD

Armado del elevador



ADVERTENCIA

No ajuste el material duro de montaje en demasía, ya que se dañarán los soportes de montaje.

Operación del elevador



ADVERTENCIA

Si bien Invacare recomienda que dos asistentes realicen las maniobras de preparación del levantamiento, y los procedimientos de traslado desde y hacia un lugar, nuestro equipo puede ser utilizado por un solo asistente. El uso de un solo asistente se basa en la evaluación que realice el facultativo de cada caso en particular.

Asegúrese de escuchar un “clic” al colocar la batería en su cargador para verificar que el montaje se ha realizado de la manera correcta. De otro modo, pueden ocurrir daños.

NO exceder el límite de peso máximo para levantado del paciente. El límite de peso para los RHL450-I y RPL450-I es de 204 kilos. El límite de peso para los RPL600-I es de 272 kilos.

Uso de la eslinga



ADVERTENCIA

Utilice una eslinga Invacare aprobada, recomendada por el médico, enfermera o asistente médico para comodidad y seguridad del individuo a ser elevado.

NO use ningún tipo de almohadilla de plástico para la incontinencia o cojín de asiento entre el paciente y el material de la eslinga que pudiera causar que el paciente se deslice fuera de la eslinga durante la transferencia.

Luego de cada lavado (de acuerdo con las instrucciones que aparecen en la eslinga), inspeccione el/los eslinga/s para detectar deterioro, rasgaduras y puntadas sueltas.

Las eslingas descoloridas, rasgadas, cortadas, deshilachadas o rotas son inseguras y pueden causar daños. Si este fuera el caso, tire la eslinga de inmediato.

NO modifique las eslingas.

Asegúrese de verificar los accesorios de la eslinga cada vez que la retire y la reemplace, a fin de verificar que esté correctamente asegurada antes de que el paciente sea movido del objeto estacionario (cama, silla o excusado).

Si el paciente se encuentra en una silla de ruedas, asegure las trabas de las ruedas para impedir que la silla se mueva hacia delante o hacia atrás.

Al conectar las eslingas equipadas con correas de colores codificados al elevador de pacientes, la correa más corta DEBE estar en la espalda del paciente para lograr su apoyo. La utilización de una sección larga dejará poco o nada de apoyo a la espalda del paciente. Las presillas de la eslinga están codificadas por color y pueden ser utilizadas para poner al paciente en varias posiciones. Los colores facilitan la conexión de ambos lados de la eslinga equitativamente. Asegúrese de que haya suficiente apoyo en la cabeza del paciente al levantarlo.

Cómo levantar al paciente



ADVERTENCIA

Cuando utilice un levantador base ajustable, las piernas **DEBEN** estar en la posición de máximo Abierto/Cerrado antes de levantar al paciente.

Al levantar al paciente unas pocas pulgadas del objeto estacionario (silla de ruedas, cómoda o cama) y antes de moverlo, verifique nuevamente que la eslinga esté correctamente conectada a los ganchos de la barra giratoria. Si cualquiera de los accesorios no se encuentra en el lugar correcto, baje al paciente hasta el objeto estacionario (silla de ruedas, cómoda o cama) y corrija este problema. Ajustes para seguridad y confort del paciente deben hacerse antes de moverlo. Los brazos del paciente deben estar dentro de las correas.

Las eslingas de Invacare han sido hechas especialmente para uso con los Levantadores de pacientes Invacare. Para la seguridad del paciente, **NO** intercambie eslingas y levantadores de diferentes fabricantes. La garantía será anulada.

Durante la transferencia, con el paciente suspendido en la eslinga acoplada al levantador, **NO** ruede la base sobre superficies desniveladas que podrían causar que el levantador de paciente pierda el equilibrio. Use la palanca de dirección que se encuentra en el mástil todo el tiempo para empujar o jalar el levantador.

Invacare no recomienda frenar las ruedas traseras del levantador de pacientes cuando levante a un individuo. Si lo hace, podría causar que el levantador pierda el equilibrio y pondría en peligro al paciente y a los asistentes. Invacare recomienda que las ruedas traseras se dejen sin el freno puesto durante los procedimientos de levantado para permitir que el levantador de paciente se estabilice por sí mismo cuando el paciente sea inicialmente levantado de una silla, cama o cualquier objeto estacionario.

Cómo transferir al paciente



ADVERTENCIA

Al levantar al paciente unas pocas pulgadas del objeto estacionario (silla de ruedas, cómoda o cama) y antes de moverlo, verifique nuevamente que la eslinga esté correctamente conectada a los ganchos de la barra giratoria. Si cualquiera de los accesorios no se encuentra en el lugar correcto, baje al paciente hasta el objeto estacionario (silla de ruedas, cómoda o cama) y corrija este problema. Las trabas de las ruedecillas de las sillas de ruedas **DEBEN** estar trabadas antes de bajar al paciente a la silla de ruedas para transportarlo. Antes de moverlo, verifique que la capacidad de peso de la silla de ruedas pueda contener el peso del paciente. Asegúrese de verificar los accesorios de las eslingas cada vez que retire y reemplace una, a fin de garantizar que ésta esté correctamente asegurada antes de que el paciente sea retirado de la cama o silla. El pivote del mástil que se encuentra debajo de la cubierta debe estar bien ajustado para obtener un uso seguro del elevador de pacientes. El perno debe ser inspeccionado al menos cada seis meses a la vez que se le realiza un mantenimiento periódico.

Mantenimiento



ADVERTENCIA

El mantenimiento **DEBE** de ser llevado a cabo por personal calificado **SOLAMENTE**. La bomba es sellada en fábrica. No intente **ABRIR** la bomba u obtener una reparación local dado que esto **ANULARÁ** la garantía y puede arrojar daños como resultado. Consulte a su distribuidor o escriba a Invacare para mayor información. Luego del primer año de uso, los ganchos de la barra giratoria y los soportes de montaje del pescante deben ser inspeccionados cada tres meses a fin de determinar el alcance del desgaste. Si dichas partes se desgastan, reemplácelas. Mantenimiento regular de los levantadores para pacientes y sus accesorios es necesario para asegurar su operación apropiada. Luego de 12 meses de operación, inspeccione la barra giratoria y el ojo del pescante (al que se ajusta) para determinar el desgaste. Si el metal se encuentra gastado, se **DEBEN** reemplazar las partes. Haga esta inspección cada seis meses de aquí en adelante. Regular maintenance of patient lifts and accessories is necessary to assure proper operation. No ajuste el material duro de montaje en demasía, ya que se dañarán los soportes de montaje.

2 SEGURIDAD

Eléctrica y conexión a tierra



ADVERTENCIA

INSTRUCCIONES DE CONEXIÓN A TIERRA

NO corte o remueva, bajo ninguna circunstancia, la terminal redonda, de cualquier en chufe con una tercera punta, la cual conecta a tierra, en los productos Invacare. Algunos aparatos están equipados con enchufes que contienen tres puntas (una para tierra), para protección contra posible choque eléctrico. En casos en que receptáculos eléctricos para enchufes de dos puntas, que no tienen la conexión a tierra sean encontrados, es responsabilidad y obligación del usuario buscar a un electricista calificado, para que instale un receptáculo eléctrico con la conexión apropiada a tierra, de acuerdo con la Codificación Eléctrica Nacional. Si usted tiene que usar una extensión eléctrica, use SOLAMENTE una de tres alambres que tenga la misma o una clasificación eléctrica más alta que la del aparato que va a conectar. Además, Invacare ha colocado etiquetas de ADVERTENCIA COLOR ROJO/ANARANJADO en algunos productos. No remueva estas etiquetas.

Cuidadosamente lea la información concerniente a la batería/cargador de la batería, antes de cargar, operar o darle servicio a su levantador.

Eliminación de desechos



ADVERTENCIA

Este producto ha sido proporcionado por un fabricante consciente del medio ambiente que cumple con Residuos Eléctricos y Electrónicos Directiva 2002/96/CE de Equipos.

Este aparato contiene baterías de ácido de plomo. NO disponga las baterías con los otros desechos del hogar. Ellas deben ser llevadas en un sitio apropiado para disponer de ellas sitio. Comuníquese con su empresa local de gestión de residuos para obtener información.

Este producto puede contener sustancias que podrían ser perjudiciales para el medio ambiente si se dispone en lugares (vertederos) que no son apropiados de acuerdo a la legislación.

Por favor, sea ambientalmente responsable y recicle este producto a través de su entidad de reciclaje al término de su vida útil.

2.1 Interferencia de Radio Frecuencia




ADVERTENCIA

La mayor parte de equipos electrónicos son afectados por la Interferencia de Frecuencias de Radio (RFI). PRECAUCION debe de ejercerse con respecto al uso de equipo de comunicaciones portable en el area alrededor de este equipo. Si RFI causa el comportamiento errático de este equipo, OPRIMA el interruptor color rojo de emergencia para parar el equipo INMEDIATAMENTE. NO active el interruptor a la posición ON mientras una transmisión de radio frecuencia está en progreso. .

3 Etiquetado de Producto

⚠ ADVERTENCIA



Antes de usar el Elevador de Pacientes LEA y COMPRENDA el Manual del Usuario para un funcionamiento correcto y procedimientos de seguridad.

⚠ ADVERTENCIA

PESO LIMITE 600 libras (272,0 kg).

El elevador de Pacientes Invacare NO es un elemento de transporte.

NO rueda la base sobre superficies desniveladas que podrían causar que el Levantador de Paciente pierda el equilibrio.

NO trabaje las ruedecillas del Elevador de Pacientes al levantar a un individuo. Las ruedecillas DEBEN estar desatrabadas para permitir que el Elevador de Pacientes se establezca durante los procedimientos de elevación.


USE SOLAMENTE las eslingas y accesorios para levantadores de Invacare.

Para mantención y repuesto, use solamente componentes diseñados para este modelo de levantador de paciente. Vea la etiqueta del producto para información del modelo.

Atención al cliente
1-800-333-6900

1130230 Rev. C

⚠ ADVERTENCIA



Antes de usar el Elevador de Pacientes LEA y COMPRENDA el Manual del Usuario para un funcionamiento correcto y procedimientos de seguridad.

⚠ ADVERTENCIA

PESO LIMITE 450 libras (204,0 kg).

El elevador de Pacientes Invacare NO es un elemento de transporte.

NO rueda la base sobre superficies desniveladas que podrían causar que el Levantador de Paciente pierda el equilibrio.

NO trabaje las ruedecillas del Elevador de Pacientes al levantar a un individuo. Las ruedecillas DEBEN estar desatrabadas para permitir que el Elevador de Pacientes se establezca durante los procedimientos de elevación.

USE SOLAMENTE las eslingas y accesorios para levantadores de Invacare.

Para mantención y repuesto, use solamente componentes diseñados para este modelo de levantador de paciente. Vea la etiqueta del producto para información del modelo.

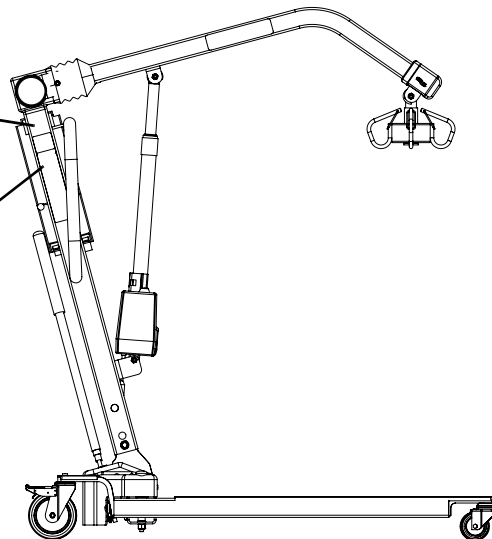
Atención al cliente
1-800-333-6900

1130238 Rev. C

⚠ AVERTISSEMENT

El pivote de mástil DEBE estar bien ajustado para obtener un uso seguro del levantador de paciente. El cerrojo debe ser verificado por lo menos cada seis (6) meses en conjunción con mantenimiento periódico. Vea Manual.

P/N 1130266 Rev. C



Levantador electrico se muestra. Las ubicaciones son las mismas en el levantador manual/hidráulico.


4 Información Técnica

4.1 Elevador de Pacientes

	450 lb. Hidráulico	450 lb. Electrico	600 lb. Electrico
	Forma Sencilla	Forma Sencilla	Forma Sencilla
Altura del Gancho para la Eslinga. MAX.:	180.3cm	188. cm	172.72 cm
Altura del Gancho para la Eslinga. MIN.:	63.5cm	61. cm	71.12 cm
Anchura de la Base ABIERTA:	104 cm	104 cm	104 cm
Anchura de la Base CERRADA:	67.3 cm	67.3 cm	67.3 cm
Altura de la Base (Espacio):	11.4 cm	11.4 cm	11.4 cm
Largura de la Base:	121.9 cm	121.9 cm	121.9 cm
Tamaño de las Ruedas (ATRAS/ENFRENTE):	7.6/12.7 cm	7.6/12.7 cm	7.6/12.7 cm
Opciones para la Eslinga:	3 Estilos	3 Estilos	1 Estilo
Capacidad de Peso:	204.5 kg	204.5 kg	272.7 kg
Peso Incluyendo el Carton:	50.8 kg	60.5 kg.	62.7 kg
Peso sin el Carton:	42.2 kg	48.2 kg	50.9 kg.
Bateria:	N/A	24V DC (RCHBL)	
Voltage de Entrada al Cargador/Voltage de Salida del Cargador.:	N/A	100-240VAC / 29.5 VDC	
Tiempo que toma para Cargar:	N/A	Max 6 hrs	Max 6 hrs
Accesorios:	Pesa Digital	Pesa Digital	Pesa Digital
Alarma que Indica Carga Baja de la Bateria:	N/A	Si	
Dispositivos de Seguridad del Motor:	N/A	Anti Trampa	Anti Trampa
Aproximadamente Levantadas por Carga: (Varia dependiendo de la carga y de los recorridos):	N/A	100-200 veces por carga	100-299 veces por carga
Garantía: Bomba y el Sistema Electronico:	1 ano	1 ano	1 ano

4 INFORMACIÓN TÉCNICA

4.2 Eslingas para Excusados, Piernas Separadas y Cuerpo Completo

	Cuerpo Entero			Cuerpo Entero Con Comoda			Pata Dividida				Sin Comoda	Extra Fuerte Con Comoda	Extra Fuerte Comoda
	R110 R112*	R111 R113*	R114	R115	R116	R117*	R100P	R100	R101	R102	R121	R140*	R141*
Tamaño:	M	L	XL	M	L	XL	P	M	L	XL	L	N/A	N/A
Ancho:	41.5	45.5	45.5	41.5	45.4	45.5	33	37.5	41	44.5	36	45	45
Abertura de La Comoda:	N/A	N/A	N/A	8	8	9	N/A	N/A	N/A	N/A	N/A	N/A	7
Langura:	54.7	60.5	65.3	54.7	60.5	65.3	59.8	62.8	67.8	72.3	37	55	55
Abertura de La Comoda:	N/A	N/A	N/A	11	11	13	N/A	N/A	N/A	N/A	N/A	N/A	13
	*Las eslingas están hechas de un material tramado. Todas las dimensiones están denominadas en pulgadas, salvo cuando se especifica una distinta.												

4.3 Balanza Reliant RLS6

Escala de peso:	Hasta 600 libras. (272.7 Kg)
Resolución:	+/- 0.2 libras (0.1 Kg)
Visor:	Digital de cristal líquido
Velocidad de apagado automático:	Dos minutos
Tamaño:	5-3/4 (largo) X 3-5/8 (ancho) X 4 (alto) (14.6 X 9.2 X 10.2 cm)
Peso:	0.55 libras (0.25 Kg)
Energía:	Batería alcalina de nuev voltios (incluida)
Vida útil de la batería:	Aproximadamente 1500 lecturas
Rango de temperatura:	50° a 104°F (10° a 40°C)

5 Ensamblado

5.1 Ensamblado del Levantador de Pacientes



ADVERTENCIA

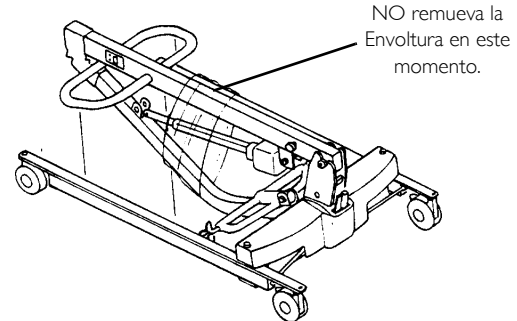
Use SOLAMENTE partes Invacare en el ensamblado de este lavantador de pacientes. Las patas de la base, el mastil, el brazo, el actuador electrico y la barra giratoria, han sido fabricados a especificaciones que aseguran el alineamiento correcto de todas las partes, para una operacion segura y funcional.

Desempacando el Levantador de Pacientes

- I. Desempaque las piezas sacandolas del carton.



Deje en su lugar la envoltura plastica que asegura el brazo y el mastil. La envoltura de plástico será eliminada en Ensamblando la Bomba Manual/Hidráulica al Brazo en la página 137 o en Ensamblando el Actuador Electrico al brazo en la página 138.



5 ENSAMBLADO

5.2 Ensamblando el Mastil a la Base

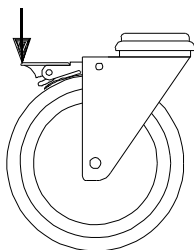
1. Si el levantador viene con ruedas con freno, pongales el freno.
2. Remueva el tornillo de cabeza exagonal, la tuerca y la arandela, que se encuentran en el mastil, en la parte de la base con forma de "U".
3. Posicione el mastil en forma recta hacia arriba y colóquelo en la parte de la base que tiene forma de "U".
4. Inserte el tornillo con las arandelas a través de la base y el mastil.
5. Asegurelos con la tuerca.



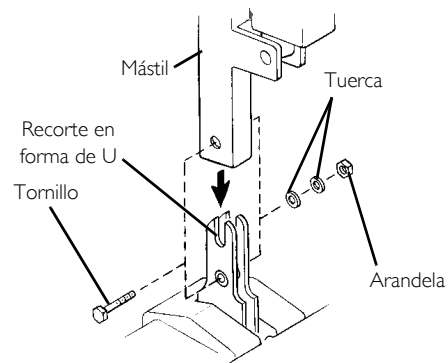
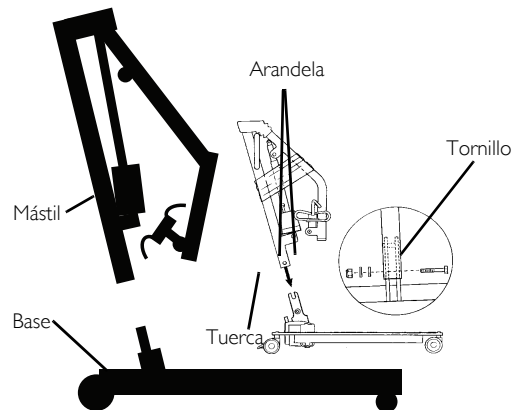
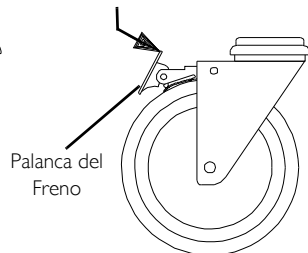
ADVERTENCIA

El mastil puede ser removido de la base para ser almacenado o transportado. Cada vez que el mastil sea removido y después retornado, este DEBE de ser propiamente asegurado a la base.

Ponga el Freno
con el pie Aquí



Quite el Freno con el Pie Aquí



Ensamblando la Bomba Manual/Hidráulica al Brazo



PRECAUCION

NO ajuste la tuerca y el perno. Esto daña el soporte de montaje.

1. Remueva el tornillo, arandela y tuerca del soporte del brazo.
2. Desempaque el casquillo plástico, sacándolo de la caja de cartón en que vino el levantador.

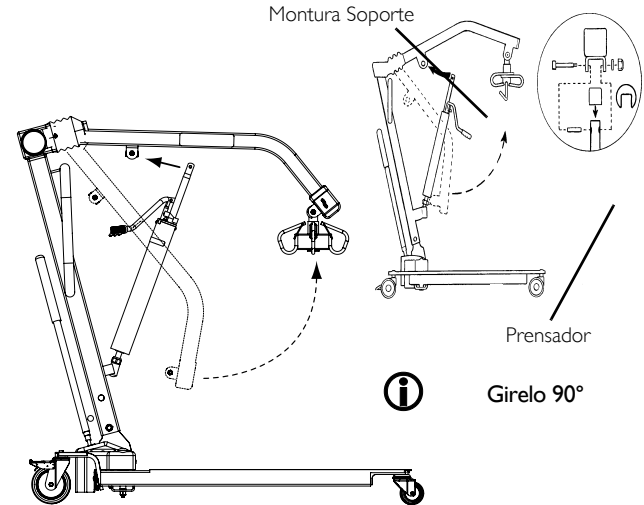


La parte de abajo de la bomba hidráulica ya viene ensamblada al soporte del mástil.

3. Corte la envoltura de plástico en que vienen el brazo y el mástil.
4. Levante el brazo y colóquelo en su hombro izquierdo.
5. Deje descansar la bomba hidráulica sobre el lado derecho de su pecho y gire la extensión del eje de la bomba hidráulica hasta que alinie con los hoyos del soporte del brazo.
6. Gire el prensador 90° y colóquelo sobre la extensión del eje de la bomba hidráulica.
7. Alinee los hoyos del soporte del brazo con los de la bomba hidráulica e inserte el tornillo. Asegúrelo con la arandela y la tuerca.



Asegúrese de que el tornillo ha atravesado completamente los hoyos del soporte del brazo y la bomba manual hidráulica. El brazo girará con facilidad si las piezas han sido alineadas apropiadamente al ser aseguradas al mástil.



5 ENSAMBLADO

Ensamblando el Actuador Electrico al brazo



PRECAUCION

NO ajuste la tuerca y el perno. Esto daña el soporte de montaje.

1. Remueva el tornillo, arandela y la tuerca del soporte que esta en el brazo.
2. Desempaque el casquillo plastico que viene dentro de la caja de empaque.



La parte de abajo del actuador electrico ya viene ensamblada al soporte del mastil.

3. Corte la envoltura que envuelve el brazo y el mastil juntos.
4. Levante el brazo y coloquelo en su ombro izquierdo.
5. Descance el actuador en el lado derecho de su pecho y gire la extension del eje del mismo hasta que los hoyos alinien con los del brazo.
6. Coloque un guarda prensa sobre la extension del eje del actuador.
7. Alinie los hoyos del brazo con los del actuador e inserte el tornillo. Asegurelo con la tuerca.

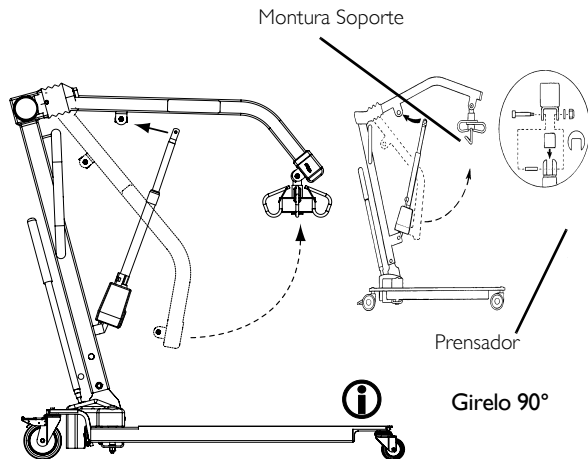


Asegúrese de que el perno esté completamente adentro de los orificios del soporte de montaje del pescante y del montaje del actuador. El montaje del pescante girará fácilmente si el material duro de montaje está correctamente alineado cuando el montaje del pescante está asegurado al mástil.

8. Enchufe los conectores eléctricos del actuador eléctrico a la base del montaje de la batería.
9. Enchufe el control suspendido en la base de montaje de la batería.

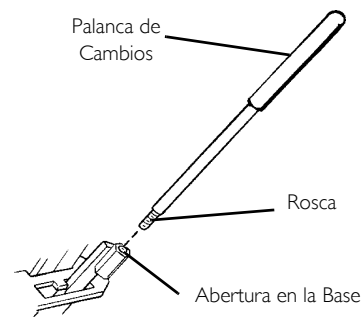


La base del montaje del actuador ya estará montada en el soporte de montaje del mástil.



5.3 Cómo Instalar el Mango Transportador

1. Remueva la palanca de cambios del carton de empaque.
2. Alinie la rosca de la palanca de cambios con la rosca en la abertura de la base.
3. Gire la palanca hacia la derecha para enroscar y apretela bien a la base.



6 Operacion

6.1 Operando el Levantador de Pacientes



Si bien Invacare recomienda que dos asistentes realicen las maniobras de preparación del levantamiento, y los procedimientos de traslado desde y hacia un lugar, nuestro equipo puede ser utilizado por un solo asistente. El uso de un solo asistente se basa en la evaluación que realice el facultativo de cada caso en particular.

Para Cerrar/abrir Las Patas De La Base

La palanca de cambios es usada para abrir o cerrar las patas de la base para estabilidad al levantar al paciente.



ADVERTENCIA

El procedimiento para operar el levantador de pacientes es sencillo y seguro. **NO** trate de transferir a un paciente sin la aprobación de su médico, enfermera o asistente médico. Lea todas las instrucciones en este Manual de Instrucciones para el Levantador y el Manual de Instrucciones de la Eslinga No. 1023891, observe a un equipo de expertos demostrar el procedimiento de como levantar a un paciente y practique el procedimiento completo varias veces, con la supervisión apropiada, usando a un individuo que este bien, actuando como paciente.

Las patas del elevador deben estar en su posición de apertura máxima y la manija de cambio trabada en su lugar para brindar estabilidad y seguridad óptimas. Si es preciso cerrar las patas del elevador para maniobrarlo debajo de la cama, ciérrelas sólo lo necesario para situarlo sobre el paciente y levantar a este último de la superficie de la cama. Una vez que las patas del elevador hayan salido de debajo de la cama, regréselas a su posición de apertura máxima y trabe inmediatamente la manija de cambio.

Cómo cerrar las piernas

1. Párese atrás del paciente y agarre la palanca de cambios con una mano y la otra mano en el mastil para mantener equilibrio.



La palanca de cambios **DEBE** de trabar en la abertura que la retendra en posición para mantener las patas en posición completamente abiertas o cerradas.



ADVERTENCIA

Si la palanca de cambios **NO** está posicionada completamente en la abertura retenedora, **NO** use el elevador sino hasta que dicha palanca esté propiamente asentada y las patas del elevador de pacientes estén **ASEGURADAS** en posición, o heridas y/o dano pueden ocurrir.

2. Tire hacia fuera del mango del elevador de pacientes y luego hacia la izquierda hasta que éste se cierre en la ranura del soporte.

Cómo abrir las piernas

1. Párese atrás del paciente y agarre la palanca de cambios con una mano y la otra mano en el mastil para mantener equilibrio.



La palanca de cambios **DEBE** de trabar en la abertura que la retendra en posición para mantener las patas en posición completamente abiertas o cerradas.

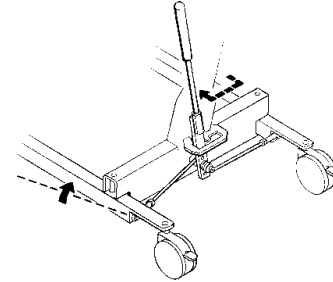


ADVERTENCIA

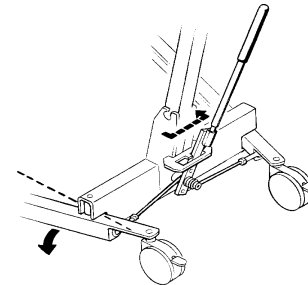
Si la palanca de cambios **NO** está posicionada completamente en la abertura retenedora, **NO** use el elevador sino hasta que dicha palanca esté propiamente asentada y las patas del elevador de pacientes estén **ASEGURADAS** en posición, o heridas y/o dano pueden ocurrir.

2. Tire hacia fuera del mango transportador del elevador de pacientes y luego hacia su **DERECHA**.

Cómo cerrar las piernas



Cómo abrir las piernas



6 OPERACION

Subiendo/Bajando el Levantador Manual/Hidráulico



ADVERTENCIA

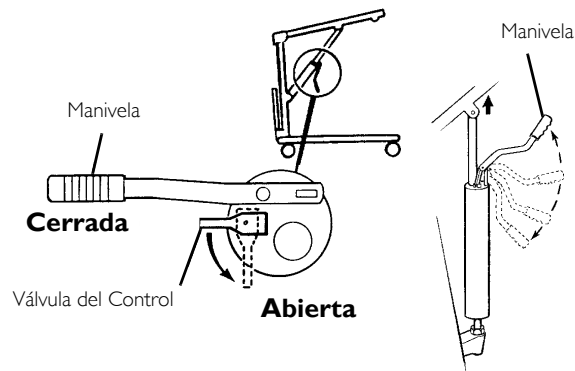
Invacare NO recomienda frenar las ruedas del lavantador de pacientes cuando levante a un individuo. El hacer esto puede causar que el levantador pierda el equilibrio, ponga en peligro al paciente y a quienes lo asisten. Invacare RECOMIENDA que las ruedas de atrás sean dejadas SIN EL FRENO PUESTO durante el procedimiento de levantado, para permitir que el levantador se establezca por sí mismo cuando el paciente es inicialmente levantado de una silla, cama o cualquier objeto estacionario.

Hay dos controles en la bomba:

- Válvula del Control
- Manivela

Subiendo el Levantador

El control de la válvula DEBE de estar en la posición CERRADA (el control de la válvula posicionado hacia la manivela), para mover la manivela hacia arriba y hacia abajo para elevar el brazo y el paciente.



Bajando el Levantador

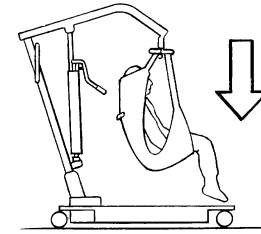
El agarrador del control **DEBE** de estar en la posición **ABIERTA** (el control de la válvula posicionado lejos de la manivela) para bajar el brazo y el paciente. La velocidad de descenso puede ser controlada mediante variar la distancia a la cual la válvula es abierta.



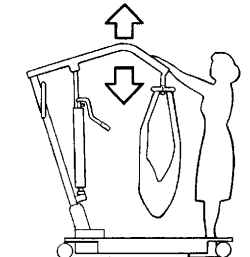
Un sistema de seguridad es parte del sistema hidráulico, el cual controla la velocidad máxima a la cual el brazo ha de descender, no importando cuanto se abra la válvula del control.

I. Siga uno de los siguientes pasos:

- **CON** el paciente en la eslinga - Cuidadosamente abra la válvula del control (Detalle "A").
- **SIN** el paciente en la eslinga - Abra la válvula del control y jale el brazo hacia **ABAJO** (Detalle "B").



**DETALLE "A" -
CON EL
PACIENTE**



**DETALLE "B" -
SIN EL
PACIENTE**

6 OPERACION

Subiendo/Bajando el Levantador Electrico



ADVERTENCIA

Invacare NO recomienda frenar las ruedas de atras del levantador de pacientes cuando levante a un individuo. El hacer esto puede causar que el levantador pierda el equilibrio, ponga en peligro al paciente y a quienes lo asisten. Invacare RECOMIENDA que las ruedas de atras sean dejadas SIN EL FRENO PUESTO durante el procedimiento de levantado, para permitir que el levantador se estabilice por si mismo cuando el paciente es inicialmente levantado de una silla, cama o cualquier objeto estacionario.

Subiendo el Levantador

Presione el boton UP (↑) para subir el brazo.

Bajando el Levantador

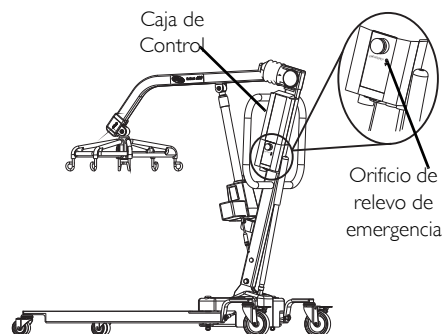
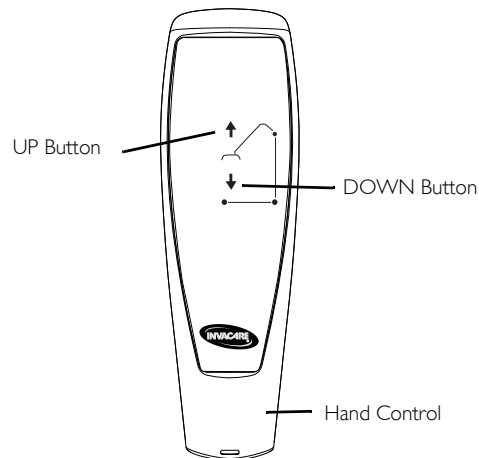
Presione el boton DOWN (↓) para bajar el brazo.

Cómo Activar un Relevo Mecánico de Emergencia

Relevo primario de emergencia

Para activar el relevo primario de emergencia, inserte una lapicera en el orificio que dice “emergencia” en la caja de control del elevador y presione hacia abajo el brazo al mismo tiempo.

Todos los actuadores de elevadores están equipados con relevo mecánico de Emergencia. El relevo mecánico permitirá que el actuador se retraiga sin suministro eléctrico. El actuador sólo se retraerá cuando esté cargado y el relevo Mecánico de Emergencia se tire. El relevo es de color rojo anaranjado y dice “emergencia” en color blanco.



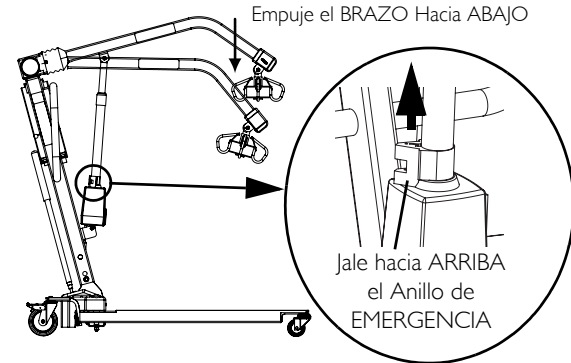
Relevo Secundario de Emergencia



Se recomienda usar el relevo primario de emergencia. El relevo secundario de emergencia es sólo una segunda opción luego de utilizar el relevo primario de emergencia.

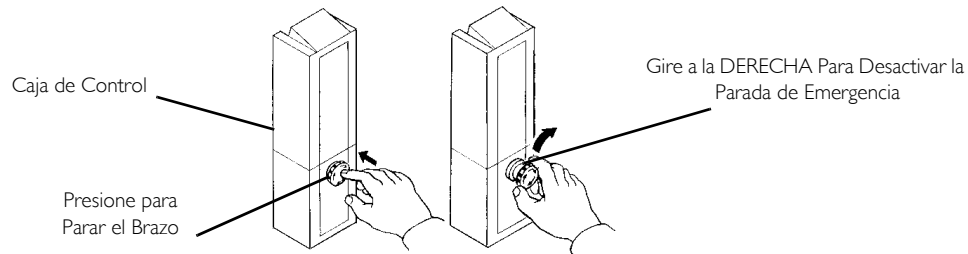
En aquellos casos en los que el relevo primario no funciona o no se puede acceder a él, se puede utilizar el relevo secundario de emergencia.

Para activar el relevo secundario, tire del anillo de EMERGENCIA y presione el brazo hacia abajo al mismo tiempo.



Cómo Posicionar el Elevador para ser Usado

Presione el boton ROJO en la caja de control. Para parar el brazo del levantador y detener al paciente a fin de que ya no suba o baje, según sea el caso.



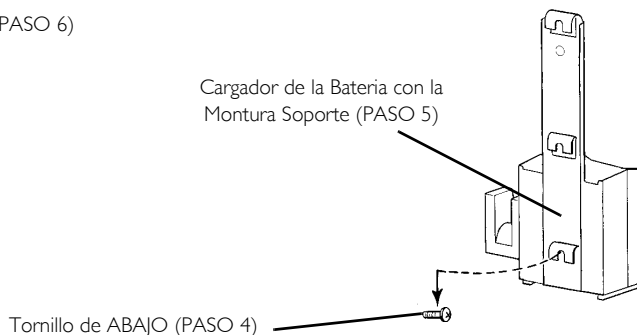
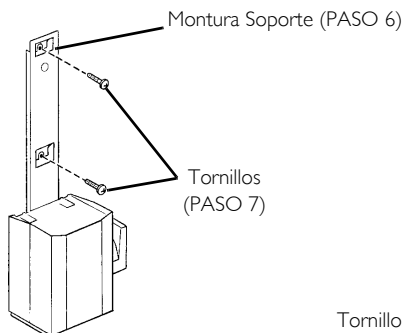
6 OPERACION

6.2 Montando el Cargador de la Batería

i Refierase a las regulaciones de su localidad relacionadas con el procedimiento de la instalacion apropiada.

1. Coloque el cargador de la batería con el soporte en una pared, en la posición deseada.
2. Con un lápiz, marque la posición del hoyo del CENTRO.
3. Mida desde la marca del lápiz, hacia abajo, una distancia de 16.5 cm y barrene un hoyo.
4. Instale el tornillo de ABAJO hasta que haya una distancia aproximada de 3.2 mm entre la cabeza del tornillo y la pared.
5. Instale el cargador de la batería y el soporte en el tornillo de montar de abajo.
6. Barrene los dos hoyos restantes.
7. Instale en la pared los dos tornillos restantes a través del soporte. Apretelos bien.
8. Enchufe el cargador de la batería al tomacorriente.

i LA LUZ LED debe de iluminar.



Cargando la Bateria



Invacare recomienda que la batería sea cargada diariamente, para porlargar la vida de la misma. Una alarma audible sonara (se oira un beep) cuando la carga de la bateria este baja.

1. Levante hacia ARRIBA el agarrador que esta en la parte de atras de la bateria.
2. Levante la bateria hacia ARRIBA y AFUERA, retirandola dela caja de control.



ADVERTENCIA

Asegurese de escuchar un “click” cuando monte el cargador de la bateria para confirmar que ha quedado montado apropiadamente. De otra manera, heridas o dano pueden ocurrir. Referase a FIGURA 6 para la correcta manera de montarlo.

3. Coloque la bateria en el cargador segun se muestra en FIGURA 6. Asegurese de escuchar un “click”.



La luz LED indicadora de carga iluminara. Cuando el proceso de carga este completo, la luz indicadora de carga se apagara. El tiempo que se toma para cargar completamente una bateria es de aproximadamente cuatro horas.

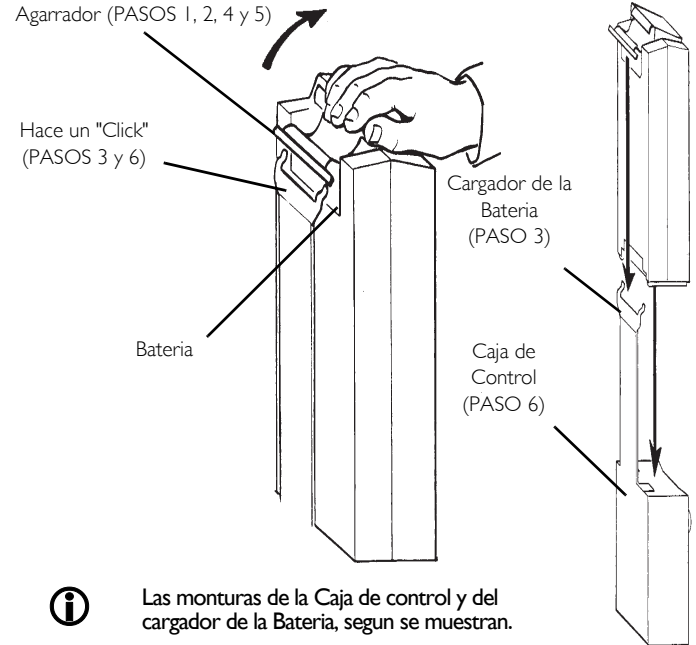
4. Levante hacia arriba el agarrador en la parte de atras de la bateria.
5. Levante la bateria hacia ARRIBA y hacia AFUERA alejandola del cargador.



ADVERTENCIA

Asegurese de escuchar un “click” cuando monte la bateria en la caja de control para confirmar que ha quedado montada apropiadamente. De otra manera, heridas o dano pueden ocurrir. Referase a FIGURA 6 para la correcta manera de montarla.

6. Reinstale la bateria en la caja de control, segun se muestra en la FIGURA 6. Asegurese de escuchar un “click”.



Las monturas de la Caja de control y del cargador de la Bateria, segun se muestran.

7 Levantando al Paciente

7.1 Preparacion Antes de Levantar

- Si bien Invacare recomienda que dos asistentes realicen las maniobras de preparación del levantamiento, y los procedimientos de traslado desde y hacia un lugar, nuestro equipo puede ser utilizado por un solo asistente. El uso de un solo asistente se basa en la evaluación que realice el facultativo de cada caso en particular.

Cómo Posicionar el Elevador para ser Usado

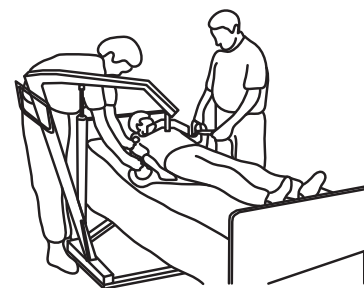
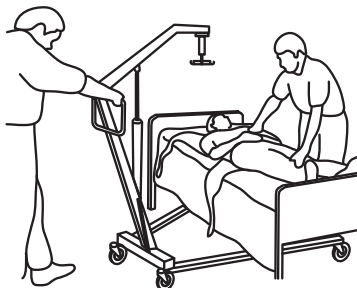
- Diríjase a SUMARIO DE PRECAUCIONES en la página 105 en este manual antes de seguir y preste atención a todas las advertencias indicadas.
Antes de colocar las patas del elevador debajo de la cama, asegúrese de que el área está libre de obstrucciones.



ADVERTENCIA

Las patas del elevador deben estar en su posición de apertura máxima y la manija de cambio trabada en su lugar para brindar estabilidad y seguridad óptimas. Si es preciso cerrar las patas del elevador para maniobrarlo debajo de la cama, ciérrelas sólo lo necesario para situarlo sobre el paciente y levantar a este último de la superficie de la cama. Una vez que las patas del elevador hayan salido de debajo de la cama, regréselas a su posición de apertura máxima y trabe inmediatamente la manija de cambio.

- Con las patas de la base ABIERTAS y ASEGURADAS, use el agarrador de dirección para empujar el levantador y ponerlo en posición.
- Baje el levantador para facilitar la conexión de la eslinga.



Cómo Ajustar las Eslingas al Elevador

Cómo Ajustar las Eslingas Utilizando las Correas de Color Codificado

1. Coloque las correas de la eslinga sobre los ganchos de la barra giratoria.
2. Siga la codificación de los colores en cada lado de la eslinga, para asegurar que el paciente es levantado a nivel .

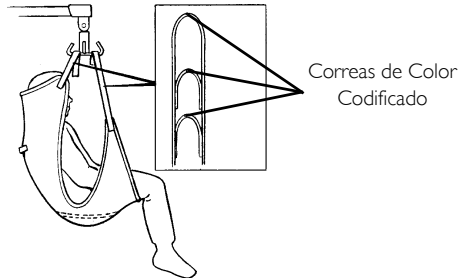


Las eslingas modelos No. R110 – R117 para cuerpo completo y los Modelos No. 120 – 122 para usar el baño, tiene cuatro correas. Los Modelos No. 100 – 102 con division para las piernas, tienen seis correas.

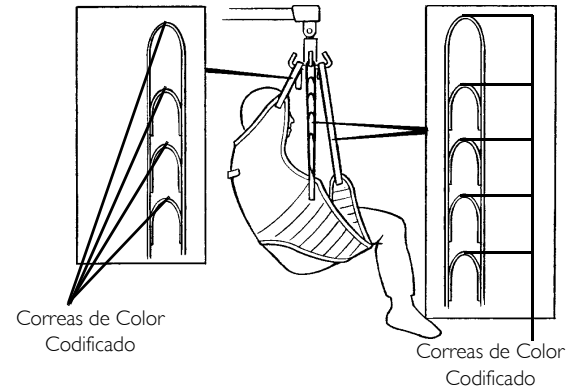
Invacare Lift Swivel Bars have three hookup points per side. The middle hookup is ONLY used for slings that have three sets of straps per side.

3. Utilice el elevador. Consulte la sección sobre [Lifting/Moving the Patient](#) en la página 150.

DETALLE “A” - ESLINGA PARA CUERPO COMPLETO, EXTRA FUERTE, CON O SIN ABERTURA PARA COMODA (CUATRO CORREAS SOLAMENTE)



DETALLE “B” - ESLINGA CON DIVISION PARA LAS PIERNAS CON ABERTURA PARA COMODA (SEIS CORREAS)



7 LEVANTANDO AL PACIENTE

7.2 Lifting/Moving the Patient



For this procedure, refer to FIGURE 7.1 on page 151.

NO frene las ruedas de atrás cuando el paciente esté en el levantador.

1. Accione la bomba hidráulica del levantador o presione el botón UP (↑) para levantar al paciente de la cama. El paciente debe de ser elevado lo suficiente y su peso debe de ser completamente sostenido por el levantador.



En los levantadores manuales o hidráulicos, el brazo permanecerá en posición hasta que la válvula de control sea abierta. En el levantador eléctrico, el brazo permanecerá en posición hasta que el botón de DOWN (↓) sea presionado.

2. Cuando el paciente sea levantado de la cama (con su cabeza siendo soportada por la eslinga o el asistente), el o ella será levantado(a) en posición sentada.



ADVERTENCIA

Al elevar al paciente unas pocas pulgadas de la superficie de la cama y antes de moverlo, verifique nuevamente que la eslinga esté correctamente conectada a los ganchos de la barra giratoria. Si cualquiera de los accesorio NO se encontrara en el lugar correcto, baje al paciente hasta la superficie estacionaria y corrija el problema; de otro modo, pueden ocurrir daños.

Ajustes para el confort y seguridad del paciente deben de hacerse antes de moverlo. Los brazos deben de quedar en el lado de adentro de las correas.

Las eslingas Invacare son hechas especialmente para ser usadas con los levantadores Invacare. Para la seguridad del paciente, NO mezcle las eslingas y los levantadores de diferentes fabricantes. La garantía será anulada.

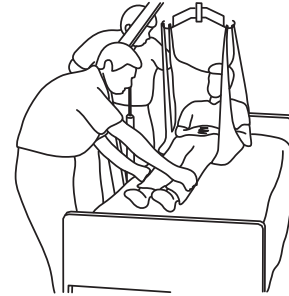
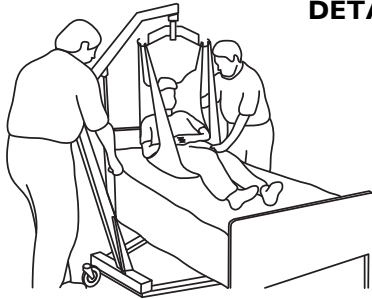
3. Cuando el paciente haya sido levantado de la cama, mueva sus pies afuera de la misma.
4. Usando los agarradores de dirección, retire el levantador de la cama.
5. Cuando retire de la cama el levantador, gire al paciente de modo que quede viendo hacia el asistente que opera el levantador.
6. Presione el botón DOWN (↓) (eléctrico) o abra la válvula (manual o hidráulico) bajando al paciente de tal modo que sus pies descansen en la base del levantador, a ambos lados del mástil. Cierre la válvula de control.



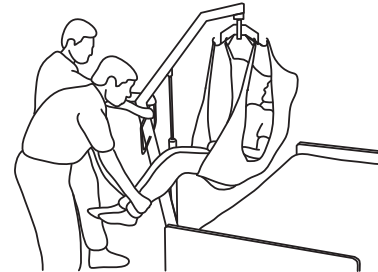
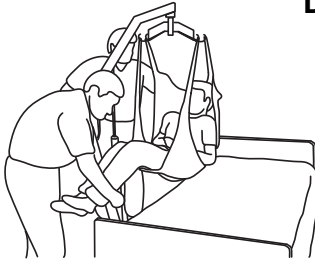
El centro bajo de la gravedad provee estabilidad haciendo que el paciente se sienta seguro y es más fácil mover el levantador.

Retire de la cama el levantador y empuje por atrás, en el agarrador de empujar, con firmeza, usando las dos manos.

DETALLE "A" - LEVANTANDO AL PACIENTE



DETALLE "B" - MOVIENDO AL PACIENTE



**DETALLE "C" -
RETIRANDO DE LA CAMA
EL LEVANTADOR**



FIGURE 7.1 Lifting/Moving the Patient

8 Transfiriendo al Paciente

8.1 Transfiriendo al Paciente para que Use la Silla Comoda o la Comoda Estandar



Si bien Invacare recomienda que dos asistentes realicen las maniobras de preparación del levantamiento, y los procedimientos de traslado desde y hacia un lugar, nuestro equipo puede ser utilizado por un solo asistente. El uso de un solo asistente se basa en la evaluación que realice el facultativo de cada caso en particular.

Las eslingas con aberturas para comodas son diseñadas para ser usadas ya sea con una silla con forma de comoda o una comada estandar.



Invacare recomienda que la eslinga permanezca conectada a los ganchos de la barra giratoria, mientras que el paciente usa la silla en forma de comoda o la comoda estandar.

Invacare recomienda que se usen dos asistentes en TODAS las preparaciones de levantado y los procedimientos de transferencia. El uso de un asistente debe de basarse únicamente en la evaluación del profesional de cuidados de la salud, en cada caso individual.



ADVERTENCIA

Al elevar al paciente unas pocas pulgadas de la superficie de la cama y antes de moverlo, verifique nuevamente que la eslinga esté correctamente conectada a los ganchos de la barra giratoria. Si cualquiera de los accesorio **NO** se encontrara en el lugar correcto, baje al paciente hasta la superficie estacionaria y corrija el problema; de otro modo, pueden ocurrir daños.

Ajustes para seguridad y confort del paciente deben hacerse antes de moverlo.

Las eslingas de Invacare han sido hechas especialmente para uso con los Levantadores de pacientes Invacare. Para la seguridad del paciente, **NO** intercambie eslingas y levantadores de diferentes fabricantes. La garantía sera anulada.

Invacare **NO** recomienda frenar las ruedas de atras del levantador de pacientes cuando levante a un individuo. El hacer esto puede causar que el levantador pierda el equilibrio, ponga en peligro al paciente y a quienes lo asisten. Invacare **RECOMIENDA** que las ruedas de atras sean dejadas **SIN EL FRENO PUESTO** durante el procedimiento de levantado, para permitir que el levantador se estabilice por si mismo cuando el paciente sea inicialmente levantado de una silla, cama o cualquier objeto estacionario.

Las patas del elevador deben estar en su posición de apertura máxima y la manija de cambio trabada en su lugar para brindar estabilidad y seguridad óptimas. Si es preciso cerrar las patas del elevador para maniobrarlo debajo de la cama, ciérrelas sólo lo necesario para situarlo sobre el paciente y levantar a este último de la superficie de la cama. Una vez que las patas del elevador hayan salido de debajo de la cama, regréselas a su posición de apertura máxima y trabe inmediatamente la manija de cambio.

Transfiriendolo a una Silla en Forma de Comoda

1. Antes de levantar al paciente de la cama, consulte la Cómo Ajustar las Eslingas al Elevador on page 119. Para la operacion del levantador de pacientes, consulte la OPERACION on page 112.
2. El paciente debe de ser elevado lo suficientemente alto como para dejar los brazos de la silla en forma de comoda libre de peso, el cual ahora es soportado por el levantador.
3. Con la ayuda de ambos asistentes, guie al paciente a la silla en forma de comoda.
4. Baje al paciente a la silla en forma de comoda, dejando la eslinga conectada a los ganchos de la barra giratoria.
5. Cuando termine, inspeccione de nuevo para ver que las conexiones esten correctas y levante al paciente fuera de la silla en forma de comoda.
6. Cuando el paciente este fuera de la superficie de la comoda (usando los agarradores para girar), retire el levantador lejos de la silla en forma de comoda.
7. Para retornar al paciente a la cama, siga el procedimiento concerniente a levantar al paciente, operacion y conectar la eslinga, a la inversa.
8. Para retornar o colocar al paciente en la silla de ruedas, refierase a Transfiriendolo a una Silla de Ruedas on page 156.

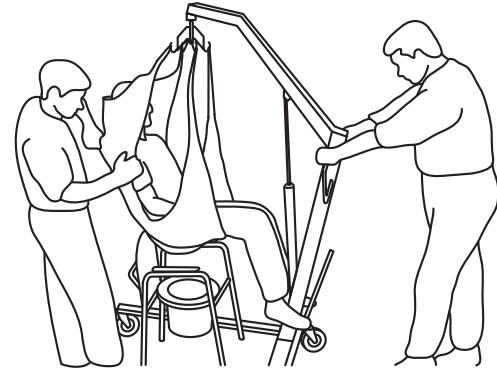


FIGURE 8.1 Transfiriendolo a una Silla en Forma de Comoda

8 TRANSFIRIENDO AL PACIENTE

Transfiriendolo a una comoda estandar



Si bien Invacare recomienda que dos asistentes realicen las maniobras de preparación del levantamiento, y los procedimientos de traslado desde y hacia un lugar, nuestro equipo puede ser utilizado por un solo asistente. El uso de un solo asistente se basa en la evaluación que realice el facultativo de cada caso en particular.

El elevador de pacientes Invacare NO ha sido diseñado como elemento de transporte. Si el baño NO se encuentra cerca de la cama o si el elevador de pacientes no se puede maniobrar hacia el excusado con facilidad, el paciente DEBE ser transportado en una silla de ruedas hacia el baño antes de usar el elevador de pacientes nuevamente a fin de posicionar al paciente en el retrete estándar.

Previo a transferir al paciente, el elevador de pacientes debe ser guiado al baño a fin de verificar que éste puede ser fácilmente maniobrado hacia el retrete.

1. Antes de levantar al paciente de la cama, consulte la Cómo Ajustar las Eslingas al Elevador on page 119. Para la operacion del levantador de pacientes, consulte la OPERACION on page 112.
2. Transporte al paciente al baño.
3. El paciente debe de ser elevado lo suficientemente alto para dejar la comoda estandar libre de peso, el cual ahora es soportado por el levantador.
4. Con la ayuda de ambos asistentes, guie el paciente a la comoda estandar.
5. Baje el paciente a la comoda estandar, dejando la eslinga conectada a los ganchos de labarra giratoria.
6. Cuando termine, inspeccione de nuevo para ver que las conexiones esten correctas y entonces levante al paciente de la comoda estandar.
7. Cuando el paciente este fuera de la superficie de la comoda estandar (usando los agarradores para girar), retire el levantador lejos de la comoda.
8. Para retornar el paciente o colocarlo en una silla de ruedas, refierase a Transfiriendolo a una Silla de Ruedas on page 156.
9. Para retornar el paciente a la cama, siga el procedimiento concerniente a levantar al paciente, operacion y conectar la eslinga, a la inversa.

8.2 Transfiriendolo a una Unidad de Banarse



Si bien Invacare recomienda que dos asistentes realicen las maniobras de preparación del levantamiento, y los procedimientos de traslado desde y hacia un lugar, nuestro equipo puede ser utilizado por un solo asistente. El uso de un solo asistente se basa en la evaluación que realice el facultativo de cada caso en particular.



ADVERTENCIA

Al elevar al paciente unas pocas pulgadas de la superficie de la cama y antes de moverlo, verifique nuevamente que la eslinga esté correctamente conectada a los ganchos de la barra giratoria. Si cualquiera de los accesorio NO se encontrara en el lugar correcto, baje al paciente hasta la superficie estacionaria y corrija el problema; de otro modo, pueden ocurrir daños.

Ajustes para seguridad y confort del paciente deben hacerse antes de moverlo.

Las eslingas de Invacare han sido hechas especialmente para uso con los Levantadores de pacientes Invacare. Para la seguridad del paciente, NO intercambie eslingas y levantadores de diferentes fabricantes. La garantía sera anulada.

Invacare NO recomienda frenar las ruedas de atras del levantador de pacientes cuando levante a un individuo. El hacer esto puede causar que el levantador pierda el equilibrio, ponga en peligro al paciente y a quienes lo asisten. Invacare RECOMIENDA que las ruedas de atras sean dejadas SIN EL FRENO PUESTO durante el procedimiento de levantado, para permitir que el levantador se estabilice por si mismo cuando el paciente sea inicialmente levantado de una silla, cama o cualquier objeto estacionario.

Las patas del elevador deben estar en su posición de apertura máxima y la manija de cambio trabada en su lugar para brindar estabilidad y seguridad óptimas. Si es preciso cerrar las patas del elevador para maniobrarlo debajo de la cama, ciérrelas sólo lo necesario para situarlo sobre el paciente y levantar a este último de la superficie de la cama. Una vez que las patas del elevador hayan salido de debajo de la cama, regréselas a su posición de apertura máxima y trabe inmediatamente la manija de cambio.



Hay muchos aparatos portables para banarse; este es un ejemplo. Refierase a las instrucciones particulares del suyo y uselas en armonia con este Manual de Instrucciones.

1. Antes de levantar al paciente de la cama, consulte la Cómo Ajustar las Eslingas al Elevador on page 119. Para la operacion del levantador de pacientes, consulte la OPERACION on page 112.
2. El paciente debe de ser elevado lo suficientemente alto a fin de dejar libre la cama y poder Colocarle la banera portable debajo.
3. Baje el paciente a la banera portable.
4. Desconecte la eslinga de los ganchos de la barra giratoria y conecte los sostenedores de la banera portable al paciente.
5. Usando el levantador, suba los lados de la banera portable.
6. Bane al paciente.
7. Siga el procedimiento a la inversa, para retornar el paciente a la cama.

8 TRANSFIRIENDO AL PACIENTE

8.3 Transfiriendolo a una Silla de Ruedas



ADVERTENCIA

Al elevar al paciente unas pocas pulgadas de la superficie de la cama y antes de moverlo, verifique nuevamente que la eslinga esté correctamente conectada a los ganchos de la barra giratoria. Si cualquiera de los accesorio **NO** se encontrara en el lugar correcto, baje al paciente hasta la superficie estacionaria y corrija el problema; de otro modo, pueden ocurrir daños.

Ajustes para seguridad y confort del paciente deben hacerse antes de moverlo.

Las eslingas de Invacare han sido hechas especialmente para uso con los Levantadores de pacientes Invacare. Para la seguridad del paciente, **NO** intercambie eslingas y levantadores de diferentes fabricantes. La garantía sera anulada.

Invacare **NO** recomienda frenar las ruedas de atras del levantador de pacientes cuando levante a un individuo. El hacer esto puede causar que el levantador pierda el equilibrio, ponga en peligro al paciente y a quienes lo asisten. Invacare **RECOMIENDA** que las ruedas de atras sean dejadas **SIN EL FRENO PUESTO** durante el procedimiento de levantado, para permitir que el levantador se estabilice por si mismo cuando el paciente sea inicialmente levantado de una silla, cama o cualquier objeto estacionario.

Antes de transferir al paciente, informese de que la capacidad de peso de la silla de ruedas es suficiente para soportar el peso del paciente.

Las patas del elevador deben estar en su posición de apertura máxima y la manija de cambio trabada en su lugar para brindar estabilidad y seguridad óptimas. Si es preciso cerrar las patas del elevador para maniobrarlo debajo de la cama, ciérrelas sólo lo necesario para situarlo sobre el paciente y levantar a este último de la superficie de la cama. Una vez que las patas del elevador hayan salido de debajo de la cama, regréselas a su posición de apertura máxima y trabe inmediatamente la manija de cambio.



For this procedure, refer to **FIGURE 8.2** on page 157.

Antes de levantar al paciente de la cama, consulte la [Cómo Ajustar las Eslingas al Elevador](#) on page 119. Para la operacion del levantador de pacientes, consulte la [OPERACION](#) on page 112.

Invacare recomienda que se usen dos asistentes en **TODAS** las preparaciones de levantado y los procedimientos de transferencia. El uso de un asistente debe de basarse únicamente en la evaluación del profesional de cuidados de la salud, en cada caso individual.

1. Asegúrese de que las piernas del elevador (con el paciente) estén en posición abierta.
2. Ponga la silla de ruedas en posición.
3. Trabe las ruedas traseras de la silla de ruedas para evitar que ésta se mueva..



ADVERTENCIA

Las ruedas de la silla de ruedas **DEBEN** de estar con freno, antes de bajar al paciente a la misma para ser transportado.

8 TRANSFIRIENDO AL PACIENTE



Use sostenedores o agarradores en los lados y atrás de la eslinga para guiar las caderas del paciente, lo mas que sea posible, al asiento, para posicionarlo apropiadamente.

4. El paciente es posicionado sobre el asiento con su espalda en el respaldo de la silla.
5. Empiece a bajar al paciente por medio de presionar el boton DOWN (↓).
6. Con un asistente atrás de la silla y el otro operando el levantador, el asistente atrás de la silla jalara el "agarrador" o los lados de la eslinga para sentar bien al paciente hasta que haga contacto con el respaldo de la silla. Esto mantendra un buen balance en el centro y prevendra que la silla se ladee hacia adelante.
7. Deje la eslinga donde quedo.



Sólo quítelas si se ha utilizado una eslinga de piernas.

8. Para retornar al paciente, siga a la inversa el procedimiento concierne a levantado, operacion y conectar la eslinga.



ADVERTENCIA

Asegurese de inspeccionar las conexiones de la eslinga cada vez que la misma sea removida o reemplazada, para asegurarse de que esta conectada apropiadamente, antes de remover al paciente de la cama o silla.

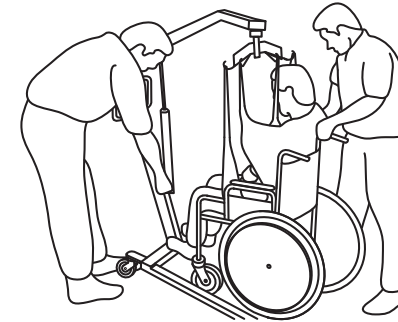
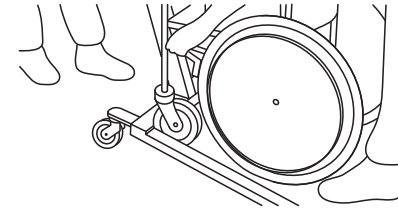
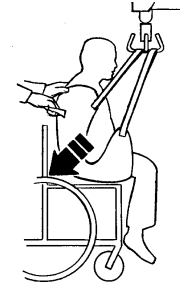


FIGURE 8.2 Transfiriendolo a una Silla de Ruedas

9 Guia de Reparaciones

SINTOMAS	DEFECTO	SOLUCION
El Levantador de Pacientes se siente flojo.	Mastil/Base Flojos. Tornillos que apretan estan flojos.	Consulte la sección sobre <u>ENSAMBLADO</u> en la página 109. Consulte la sección sobre <u>Mantenimiento del Montaje de la Base</u> en la página 135.
Ruedas/Frenos ruidosos o Duros.	Pelusa o Basura en los Cojinetes/Balinas.	Consulte la sección sobre <u>Reemplazando las Ruedas y/o las Horquillas</u> en la página 135.
Ruido y un sonido seco que viene de los Pivotes.	Secesita lubricacion.	Consulte la sección sobre <u>Lubricacion</u> en la página 131.
Fuga de aceite de la bomba Hidráulica.	La bomba Hidráulica necesita Servicio.	Consulte la sección sobre <u>Bomba Manual/Hidráulica</u> en la página 132 y Consulte la sección sobre <u>Reemplazo el Actuador Electrico</u> en la página 132. Póngase en contacto con su proveedor.
La bomba Manua/Hidráulica no funciona cuando es activada.	Válvula del Control no está completamente Cerrada. BombaManual/Hidráulica necesita servicio.	Cierre la Válvula del Control. Consulte la sección sobre <u>Bomba Manual/Hidráulica</u> en la página 132 y Consulte la sección sobre <u>Reemplazo el Actuador Electrico</u> en la página 132. Póngase en conntacto con su proveedor.

SINTOMAS	DEFECTO	SOLUCION
El actuador electrico no levanta cuando se presiona el boton.	<p>El conector del control de Mano esta flojo.</p> <p>La bateria esta debil.</p> <p>El boton ROJO de parar de emergencia esta presionado hacia ADENTRO.</p> <p>La conexion de la bateria esta floja.</p> <p>Las terminales de la batería están dañadas.</p> <p>El actuador eléctrico necesita servicio o la resistencia eléctrica es muy alta.</p>	<p>Inspeccione las conexiones.</p> <p>Cargue la bateria. Consulte la sección sobre <u>Cargando la Bateria</u> en la página 116.</p> <p>Gire a la DERECHA el boton ROJO de emergencia hasta que salte hacia afuera.</p> <p>Conecte bien la bateria a la Caja de control. Refer to <u>Cargando la Bateria</u> on page 116.</p> <p>Reemplasca la batería. Refer to <u>Cargando la Bateria</u> on page 116.</p> <p>Consulte la sección sobre <u>Bomba Manual/Hidráulica</u> en la página 132 y Consulte la sección sobre <u>Reemplazo el Actuador Electrico</u> en la página 132. Póngase en conntacto con su proveedor.</p>
Ruido raro del actuador.	El actuador está gastado o dañado o el eje está torcido.	Consulte la sección sobre <u>Bomba Manual/Hidráulica</u> en la página 132 y Consulte la sección sobre <u>Reemplazo el Actuador Electrico</u> en la página 132. Póngase en conntacto con su proveedor.
El brazo no baja cuando esta en su posicion mas alta.	El brazo requiere un minimo de peso para bajar cuando est en su posicion mas alta.	Jalelo ligeramente.
El brazo del elevador no bajará al activar el soltador de emergencia, cuando éste esté siendo retractado usando energía eléctrica.	El tornillo en la unión del brazo y el mástil podría no estar instalado apropiadamente.	Consulte la sección sobre <u>Cómo Verificar y Ajustar el Perno Pivote del Mástil</u> en la página 133.



Si los problemas no pueden ser remediados usando las recomendaciones sugeridas, por favor pongase en contacto con su proveedor o Invacare.

10 Mantenimiento

10.1 Lista de Mantenimiento de Inspección de Seguridad

ARTICULO	INICIALMENTE	EN UNA INSTITUCION INSPECCIONE MENSUALMENTE	EN UNA CASA INSPECCIONE CADA SEIS MESES
RUEDA DE LA BASE			
Inspeccione por partes faltantes.	X	X	X
La Base abre/cierra facilmente.	X	X	X
Inspeccione ruedas y ejes, que esten apretados.	X	X	X
Inspeccione ruedas que rueden y giren bien.	X	X	X
Inspeccione las ruedas y retire los desechos.	X	X	X
PALACA DE CAMBIOS			
Que funciona bien.	X	X	X
Traba y sostiene con firmeza la base cuando es operada.	X	X	X
EL MASTIL			
El mastil DEBE de quedar bien asegurado al ensamblarlo al brazo.	X	X	X
Inspeccione por dobladuras y torceduras.	X	X	X

ARTICULO	INICIALMENTE	EN UNA INSTITUCION INSPECCIONE MENSUALMENTE	EN UNA CASA INSPECCIONE CADA SEIS MESES
EL BRAZO	X	X	X
Inspeccione todas las piezas y todos los soportes de la barra giratoria.	X	X	X
Inspeccione todas las piezas y la barra giratoria.	X	X	X
Inspeccione los tornillos por desgaste.	X	X	X
Asegurese de que el brazo esta centrado enmedio de las patas.	X	X	X
Verifique el perno pivote del mástil, que se encuentra debajo de la cubierta de goma.	X	X	X
Asegúrese de que el perno esté bien ajustado.	X	X	X
LA BARRA GIRATORIA	X	X	X
Inspeccione el tornillo/ganchos por desgaste o dano.	X	X	X
Inspeccione los ganchos de la eslinga por desgaste o torcedura.	X	X	X
EL ACTUADOR ELECTRICO			
Inspeccione las piezas del mastil y el brazo.	X	X	X
Inspeccione por desgaste y deterioro.	X	X	X
(SI HAY DANO, LLAME AL PROVEEDOR).	X	X	X
Pruebelo para asegurarse de que trabaja bien.	X	X	X
MANIVELA			
Inspeccione. Vea que funcione bien.	X	X	X
VALVULA DEL CONTROL			
Que abre y cierra con facilidad.	X	X	X

10 MANTENIMIENTO

ARTICULO	INICIALMENTE	EN UNA INSTITUCION INSPECCIONE MENSUALMENTE	EN UNA CASA INSPECCIONE CADA SEIS MESES
LIMPIEZA Cuando sea Necesario.	X	X	X
ESLINGA Y PIEZAS INSPECCIONE TODOS LOS ACCESORIOS DE LA ESLINGA cada vez que la use para asegurar las conexiones apropiadas y la seguridad del paciente. Inspeccione el material de la eslinga por desgaste. Inspeccione las correas por desgaste.	X X X	X X X	X X X



Para uso individual en el hogar, se requiere una inspección completa antes de cada usuario nuevo.

Una limpieza periódica mostrará las partes gastadas o sueltas, mejorará el funcionamiento y extenderá la vida útil del elevador.

Siga los procedimientos de mantenimiento descritos en este manual a fin de mantener su levantador en condiciones de proveerle servicio continuo.

El Lavantador de Pacientes Invacare ha sido diseñado para proveer el máximo de seguridad, eficiencia y servicio satisfactorio con el mínimo cuidado y mantenimiento.

Todas las piezas del levantador Invacare están hechas del mejor acero, pero el contacto de metal con metal causará desgaste, después de un considerable tiempo de uso.

No hay ajustes ni mantenimiento que darle a las ruedas o a los frenos, aparte de limpiar, lubricar e inspeccionar los ejes y que los tornillos estén bien apretados. Remueva basura, etc. de las ruedas y cojinetes. Si hay partes gastadas, reempláscalas inmediatamente.

Si tiene alguna duda en cuanto a seguridad debido a una pieza en el levantador, pongase en contacto con su proveedor inmediatamente e informe de su problema.

10.2 Lubricacion

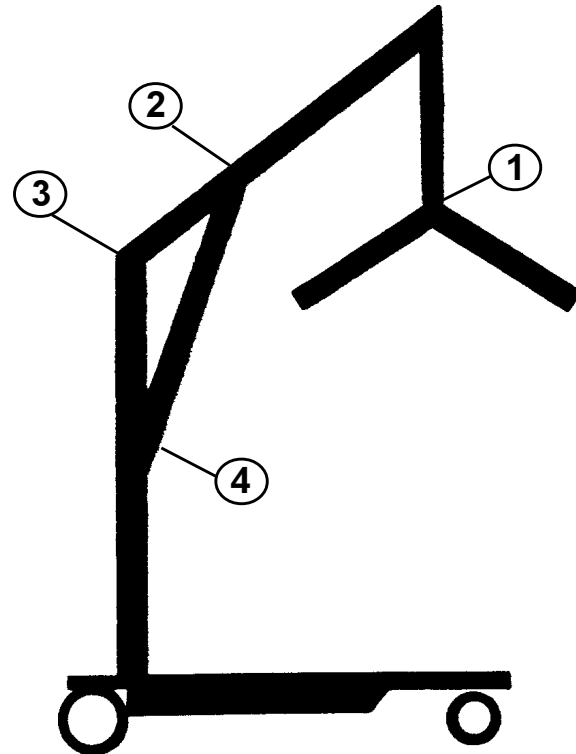
El levantador Invacare ha sido diseñado de tal modo que requiere minimo mantenimiento. Sin embargo, una inspeccion y lubricacion cada seis meses asegurara una seguridad confiable.

Mantenga limpios y en buena condicion de funcionamiento el levantador y la eslinga. Cualquier defecto debe de ser anotado y reportado a su proveedor tan pronto como sea posible.

Las ruedas DEBEN de girar y rodar sin problema. Grasa liviana (lubricante de automovil a prueba de agua) puede ser aplicada a los cojinetes de las ruedas una vez al ano. Apliquela mas frecuentemente si las ruedas son expuestas a condiciones de extrema humedad.

Refierase al diagrama que muestra los puntos que necesitan lubricacion. Lubrique todos los puntos donde hay movimiento. Limpie el exceso de lubricante que quede sobre el levantador.

1. Barra Giratoria
2. Soporte de Montar el Brazo
3. Montura del Brazo/Mastil
4. Soporte de Montar el Mastil



10 MANTENIMIENTO

10.3 Desgaste y Dano

Es importante inspeccionar todas las partes que estan bajo tension, tales como la eslinga, la barra espaciadora o un pivote para la eslinga, por senales de deterioro, deformacion, grietas o desgaste. Reemplasca cualquier pieza defectuosa inmediatamente y asegurese de que el levantador no sea usado hasta que las reparaciones sean hechas.

10.4 Limpieza

La eslinga debe ser lavada regularmente en agua, a una temperatura que no excede los 180°F (82°C) y una solución biocida (anti-biológico). Un pano suave, humedecido con agua y una pequena cantidad de detergente suave es todo lo que se necesita para limpiar el levantador. El levantador puede ser limpiado con limpiadores no abrasivos.

10.5 Bomba Manual/Hidráulica



For this procedure, refer to FIGURE 10.1 on page 165.

Todas las partes de la Bomba Manual/Hidráulica están hechas a precisión, cuidadosamente ensambladas y probadas para asegurar que den un servicio confiable. La bomba está completamente cerrada y sellada con anillos de Neoprene para prevenir fugas de aceite hidráulico. Una pequeña cantidad de aceite (alrededor de una gota) se acumulará de vez en cuando, y debe de ser removida con un pedazo de papel facial.



ADVERTENCIA

La bomba es sellada en fábrica. No intente ABRIR la bomba o repararla localmente dado que esto ANULARÁ la garantía y puede arrojar daños y una reparación costosa como resultado. Consulte a su distribuidor o escriba a Invacare para mayor información.

Reemplazo de la Bomba Manual/Hidráulica

1. Afloje la tuerca que asegura la bola de la bomba en la cavidad que la sostiene.
2. Descance el brazo sobre su hombro y remueva la tuerca, el tornillo, el casquillo plástico y el prensador, del soporte del brazo.
3. Remueva la bomba.
4. Siga los mismos pasos a la inversa, al hacer la instalación..



PRECAUCION

NO ajuste la tuerca y el perno. Esto daña el soporte de montaje.

Reemplazo el Actuador Electrico

1. Remueva la tuerca, arandela y el tornillo que asegura el actuador electrico y el soporte de montar el mastil.
2. Descanse el brazo sobre su hombro y remueva la tuerca, tornillo, el casquillo plastico y el Prensador, del soporte de montar el brazo.
3. Remueva el actuador electrico.
4. Para instalacion, siga los mismos pasos a la inversa..



PRECAUCION

NO ajuste la tuerca y el perno. Esto daña el soporte de montaje.

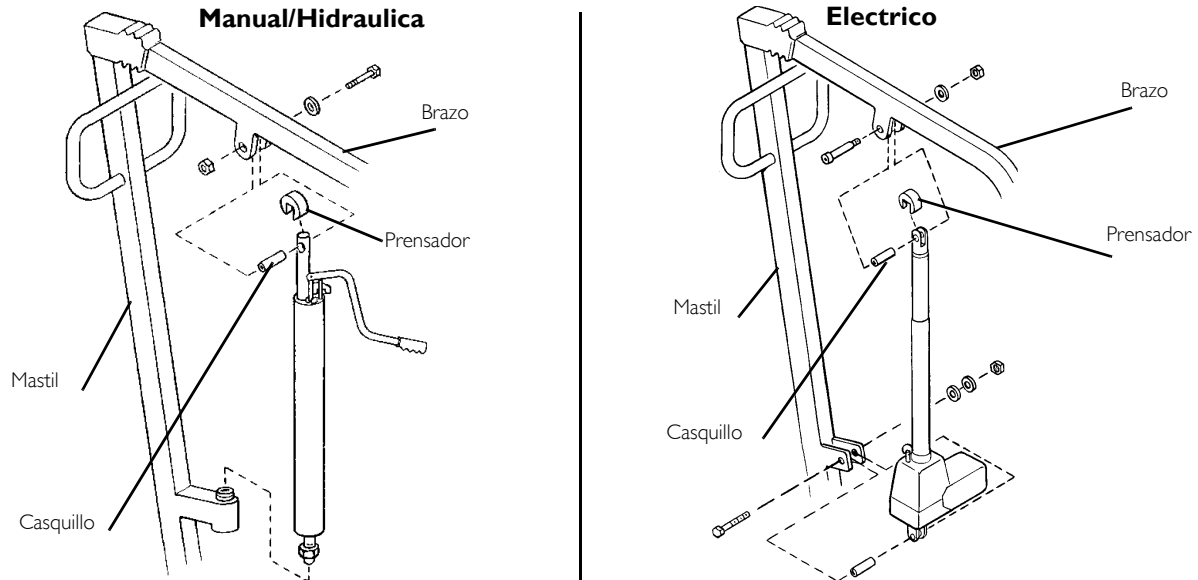
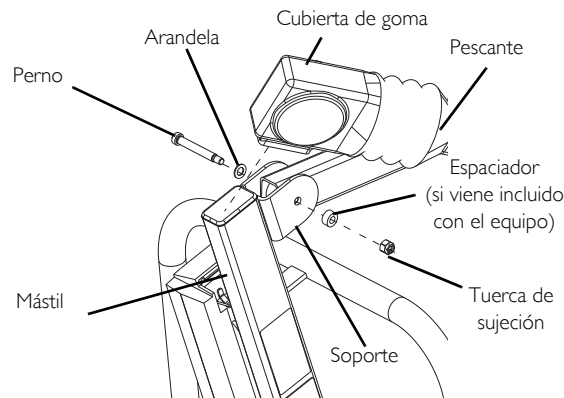


FIGURE 10.1 Bomba Manual/Hidráulica - Reemplazo de la Bomba Manual/Hidráulica -Reemplazo el Actuador Electrico

10 MANTENIMIENTO

Cómo Verificar y Ajustar el Perno Pivote del Mástil

1. Levante la parte trasera de la cubierta de goma y quítela del mástil deslizándola a lo largo del pescante.
2. Verifique que el perno esté bien encastrado en el soporte y que la tuerca de sujeción esté bien ajustada y segura.
3. De ser necesario, prosiga con uno o más de los siguientes pasos:
 - ajuste la tuerca de sujeción y destorníllela 1/8 de vuelta.
 - vuelva a poner la tuerca de sujeción.
4. Vuelva a colocar la cubierta de goma.



10.6 Reemplazando la Barra Giratoria



ADVERTENCIA

Después del primer año de uso, los ganchos de la barra giratoria y los soportes del brazo deben de ser inspeccionados cada seis meses para determinar el grado del desgaste. Si dichas partes están deterioradas, **DEBEN** de ser reemplazadas.



For this procedure, refer to FIGURE 10.2 on page 167.

1. La barra giratoria viene conectada al brazo con un tornillo, tuerca, arandelas y un prensador.
 - La arandelas deben de ser colocadas a ambos lados del soporte del brazo para prevenir dano.
 - La barra giratoria tiene tres ganchos en cada lado para colocar la eslinga que soporta al paciente el ser levantado.
2. Remueva las piezas existentes y reemplasca la barra giratoria.



PRECAUCION

NO ajuste la tuerca y el perno. Esto daña el soporte de montaje.

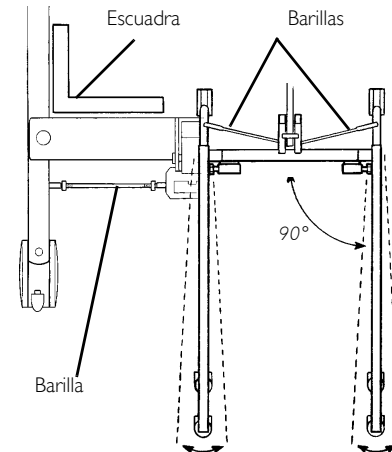


FIGURE 10.2 Reemplazando la Barra Giratoria

10.7 Mantenimiento del Montaje de la Base

El ajuste de la base no requiere ninguna otra atención, mas que la siguiente:

1. Que las patas, cuando estan en su posición CERRADA, esten a escuadra.
2. Coloque una escuadra en el lado de adentro de las patas y la base, para determinar que estan alineadas a 90°.
3. Ajuste el acoplamiento de las barillas hasta que un alineamiento de 90° sea logrado.



10 MANTENIMIENTO

10.8 Reemplazando las Ruedas y/o las Horquillas

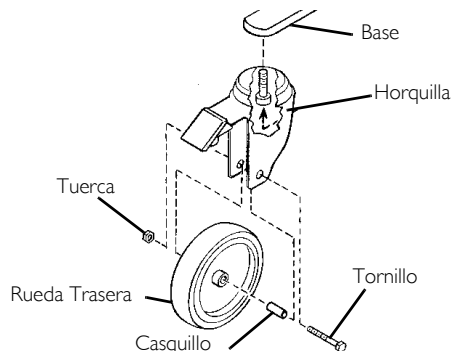
Ruedas Traseras

1. Recueste el levantador sobre uno de sus lados.
2. Remueva la tuerca y el tornillo que aseguran la rueda de atras a la horquilla.



El casquillo se soltará y puede caer de la ruedecilla. Se volverá a usar el casquillo ya existente. Exáminelo y reemplácelo si está gastado.

3. Instale el casquillo nuevo o el existente en la rueda nueva.
4. Alinie los hoyos de la rueda nueva con los hoyos de la horquilla.
5. Instale el tornillo atraves de la horquilla y la rueda nueva y apretelo con la tuerca. Asegurelos bien.



Ruedas de Enfrente

1. Recueste el levantador sobre uno de sus lados.
2. Remueva la tuerca y el tornillo que aseguran la rueda del frente a la horquilla.

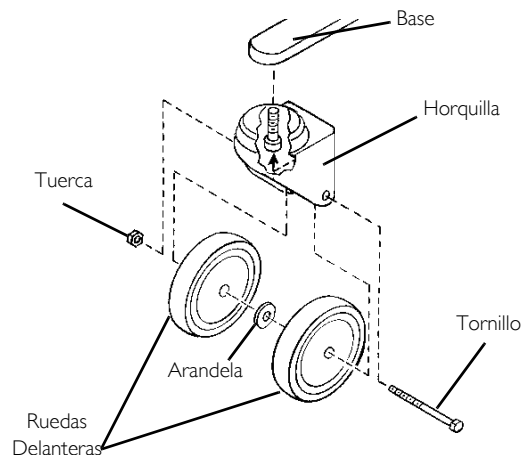


El ensamble de cada rueda del frente consiste de dos ruedas y una arandela en medio.

La arandela que se encuentra enmedio de las dos ruedas tambien saldra.

Se volverá a usar la arandela. Exáminelo y reemplácelo si está gastado.

3. Posicione la nueva arandela o la existente enmedio de las ruedas nuevas.
4. Alinie los hoyos de la rueda nueva con los hoyos de la horquilla.
5. Instale el tornillos atraves de la horquilla y la rueda y apretelo con la tuerca. Asegurelo bien.



Horquillas

1. Recueste el levantador sobre uno de sus lados.
2. Remueva la rueda de atras o enfrente (segun sea el caso), del levantador. Consulte la sección sobre Reemplazando las Ruedas y/o las Horquillas en la página 168.
3. Desatornille de la base la horquilla existente.
4. Instale a la base la nueva horquilla.
5. Instale la rueda de atras o enfrente (segun sea el caso), al levantador. Consulte la sección sobre Reemplazando las Ruedas y/o las Horquillas en la página 168.

II Accesorios

II.1 Balanza Reliant RLS6

La balanza Reliant es un sistema de balanza de precisión compacta específicamente diseñado para el Sistema de Elevador de Pacientes Invacare.



ADVERTENCIA

NO instale o utilice este equipo sin primero leer y comprender estas instrucciones. Si usted no puede comprender estas Advertencias, Precauciones o Instrucciones, póngase en contacto con un profesional de la salud, distribuidor o personal técnico antes de intentar instalar este equipo; de otro modo, pueden ocurrir daños.

Cómo Quitar la Barra Giratoria

For this procedure, refer to FIGURE 11.1.

Retire la arandela con reborde, la tuerca de sujeción, la guarda de compresión y la arandela que aseguran la barra giratoria al soporte de montaje del pescante.



Guarde la arandela con reborde, la arandela de acercamiento pequeño y la tuerca de sujeción para asegurar la balanza Reliant al pescante. La guarda de compresión no se utilizará cuando la balanza esté instalada. Guarde la guarda de compresión para usos futuros de la barra giratoria sin la balanza.

Al quitar el material duro de la barra giratoria, ésta se soltará junto con dos arandelas de nylon y la clavija de la barra giratoria. Guarde la clavija de la barra giratoria y las dos arandelas de nylon para futuros usos de la barra giratoria sin la balanza.

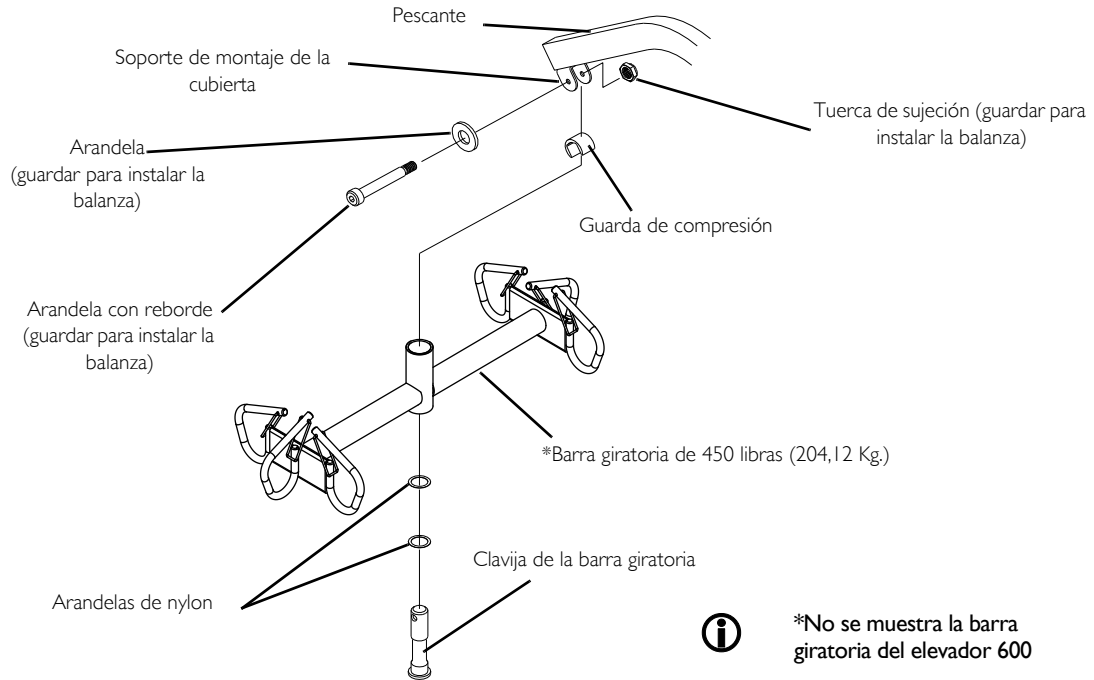


FIGURE II.1 Cómo Quitar la Barra Giratoria

11 ACCESORIOS

Instalación de la Balanza Reliant



For this procedure, refer to FIGURE 11.2.



ADVERTENCIA

Se DEBE quitar al paciente y la eslinga del elevador durante TODOS los procedimientos de instalación.

1. Coloque el montaje de indicador de presión de la Balanza Reliant en el soporte de montaje del pescante. Consulte el Detalle “A” en la FIGURA 8.2.



Use una arandela de nylon de ¼ de pulgada.

2. Asegure la Balanza Reliant al soporte de montaje de la cubierta con una arandela con reborde, una arandela de acero pequeño, dos arandelas de nylon y una tuerca de sujeción. Ajuste bien. Consulte el Detalle “A” en la FIGURA 8.2. para más información sobre la arandela.



Asegúrese de que el eje de la arandela con reborde pase a ambos lados del soporte de montaje de la cubierta.

3. Inserte la clavija de la barra giratoria con dos arandelas de nylon a través de la barra giratoria. Consulte el Detalle “B” en la FIGURA 8.2.
4. Alinee los orificios de montaje en la clavija de la barra giratoria con los orificios de montaje en el montaje de indicador de presión. Consulte el Detalle “B” en la FIGURA 8.2.
5. Asegure la clavija de la barra giratoria al montaje de indicador de presión con el tornillo y la tuerca de sujeción provistos. Ajuste bien. Consulte el Detalle “B” en la FIGURA 8.2.



ADVERTENCIA

Luego de CUALQUIER ajuste, reparación o servicio y ANTES de utilizarlo, asegúrese de que todo el material duro accesorio esté bien ajustado; de otro modo, pueden ocurrir daños.

6. Pese al paciente. Refer to Consulte la sección sobre Operación de la Balanza en la página 174 y Cómo pesar al Paciente en la página 175.

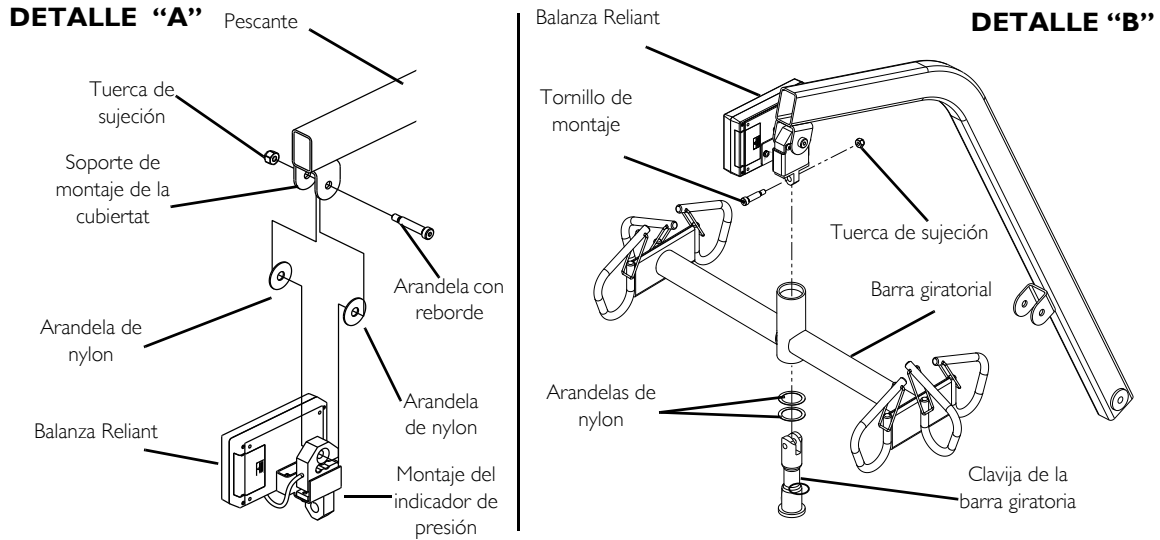


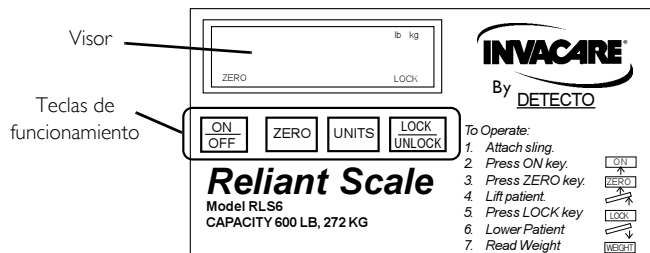
FIGURE II.2 Instalación de la Balanza Reliant

II ACCESORIOS

II.2 Operación de la Balanza

Funciones del teclado

CLAVE	INDICADOR VISUALIZADO	UBICACIÓN DEL INDICADOR	DEFINICIÓN
ON OFF	OFF	Centro del visor	Al presionar esta tecla se suministrará electricidad a la balanza y la unidad se encenderá. Cuando la balanza ya está encendida, ésta se apagará al presionar este botón.
ZERO	ZERO	Esquina inferior izquierda del visor	Al presionar este botón mientras la balanza está encendida, el peso que se muestra en el visor volverá a cero.
UNITS	lb or kg	Esquina superior derecha del visor	La función de esta tecla es cambiar la unidad de medición de libras (lb.) a kilogramos (Kg.).
LOCK UNLOCK	LOCK	Esquina inferior derecha del visor	Esta tecla se utiliza para TRABAR y DESTABAR un valor de peso en el visor. El peso que se visualiza es un peso ALMACENADO y no el peso de cuando la tecla se usa en la posición de traba (lock).
N/A	LO BAT	Centro del visor	El indicador aparece en el visor para notificar que la batería está baja.






11.3 Cómo pesar al Paciente



ADVERTENCIA

La capacidad de peso está limitada a la capacidad mínima de cualquiera de los componentes en uso (por ej.: elevador de pacientes, eslinga o balanza). El peso del paciente **NO DEBE** exceder la capacidad mínima de cualquiera de los componentes.

NO presione las teclas con objetos puntiagudos (por ej.: lápices, lapiceras, uñas, etc.). De otro modo, se podrían dañar las teclas.

1. Ajuste las correas de la eslinga a la barra giratoria. Para un ajuste correcto, consulte las instrucciones en Cómo Ajustar las Eslingas al Elevador en la página 119.
 -  Para una mejor exactitud en los elevadores Reliant 450 y 600, ajuste las correas de la eslinga a los ganchos centrales que se encuentran a ambos lados de la barra giratoria. Sin embargo, la comodidad del paciente puede requerir una configuración diferente de las correas de la eslinga.
2. Presione la tecla ON/OFF.
 -  El visor indicará el último peso medido. Se visualizará la palabra “LOCK” en el visor. La tecla “ZERO” se presiona con el fin de evitar captar el peso de la eslinga y el material duro. Si no se presiona la tecla ZERO, el peso de la eslinga y del material duro serán incluidos en el peso visualizado. **EL NO PRESIONAR LA TECLA “ZERO” DARÁ COMO RESULTADO UNA LECTURA FALSA DEL VERDADERO PESO DEL PACIENTE.**
3. Presione la tecla ZERO. Al presionar la tecla ZERO, ocurrirá lo siguiente:
 - A. La balanza volverá a cero y la palabra “ZERO” aparecerá en el visor.
 - B. Luego se apagará la función de traba y la palabra “LOCK” desaparecerá del visor.
 -  Ahora la balanza está activada y continuamente actualizando el visor de peso.
4. Coloque al paciente en la eslinga. Para ubicar al paciente, consulte las instrucciones en OPERACION en la página 112.
5. Active el mecanismo del elevador para levantar al paciente hasta que el mismo esté sostenido por el elevador por completo. Para elevar al paciente, consulte las instrucciones en Levantando/Moviendo al Paciente en la página 119.
6. Observe el visor de peso.
7. Cuando el visor de peso queda estable, presione el botón LOCK para trabar el visor de peso. Esto estará indicado por la palabra “LOCK” que aparecerá en el visor.

II ACCESORIOS

i Si es necesario destrabar el peso mientras que el paciente aún se encuentra en el elevador, se puede presionar el botón UNLOCK. El peso se destrabará y la palabra “LOCK” desaparecerá del visor. Luego se actualizará el valor del peso. Una vez que el peso está estable, éste puede ser trabado nuevamente con sólo presionar el botón LOCK.

La palabra “Estable” se define como el peso fluctuante entre dos décimos (0,02 Kg) de una libra. Por ejemplo, para un paciente que pesa cien libras (45,4 Kg), la balanza fluctuará entre 99,8 y 100 (45,3 y 45,5 Kg),2 hasta que se presione la tecla LOCK. La fluctuación de peso normal visualizada es aquella arriba descripta. Presione el botón LOCK para trabar el peso.

Se puede presionar el botón UNITS para alternar entre unidades de libras y kilogramos. El tipo de unidad se indica por medio de la palabra “lb” (libras) o “kg” (kilogramos) en el visor.

8. Ahora se puede bajar el elevador y quitar la eslinga del paciente.

i Aún se podrá ver el peso del paciente en el visor. El visor se apagará automáticamente luego de un período de dos minutos de no usar la balanza [no habrá cambios en pesos que excedan las cinco libras (2 kilogramos)]. Usted NO podrá ajustar el tiempo de demora para el apagado automático. Luego de que el visor se apaga, se puede recuperar el valor del peso presionando el botón ON/OFF. La unidad se puede apagar al presionar el botón ON/OFF una segunda vez.

II.4 Cambio de la Batería

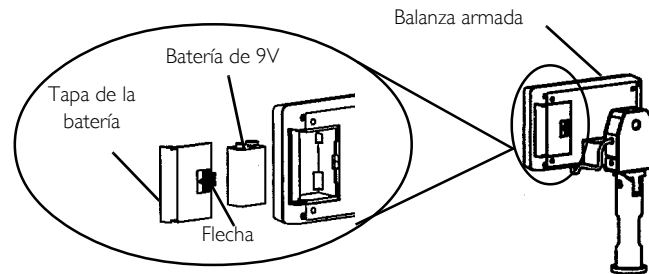
i La balanza funciona con una pila alcalina de nueve voltios, la cual debería proporcionar aproximadamente 1500 lecturas antes de ser necesario su reemplazo.

Cuando se necesita cambiar la batería, el visor mostrará la leyenda “LO BAT” (BATERÍA BAJA). Haga lo siguiente:

1. Deslice la tapa de la batería para abrirla en la dirección que muestra la flecha.
2. Retire la batería existente.
3. Instale la batería nueva.
4. Vuelva a colocar la tapa de la batería.

Calibración de la balanza Reliant

i La Balanza Reliant viene precalibrada de fábrica con el indicador de presión. Si necesita volver a calibrar la balanza, siga las instrucciones que aparecen abajo.



1. El paciente y la eslinga deben ser retirados de la balanza para calibrar la Balanza Reliant correctamente. Para quitar al paciente, consulte las instrucciones en **OPERACION** en la página 112. Para quitar la eslinga, consulte las instrucciones en **Levantando/Moviendo al Paciente** en la página 119.
2. Con la Balanza Reliant encendida, quite los cuatro tornillos que se encuentran en el lado posterior de la cavidad y retire la cubierta frontal a fin de exponer el teclado de la PC.
3. Presione el botón CAL situado en el teclado de la PC. El interruptor CAL no tiene etiqueta pero es el único botón en el teclado de la PC situado en la esquina inferior derecha. Una vez que se haya presionado el botón CAL, la leyenda “CAL1” podrá verse en el visor.



CAL1 selecciona el modo de calibración utilizando 50 libras (22,7 Kg) de peso calibrado. CAL2 selecciona el modo de calibración utilizando 200 libras (90,8 Kg) de peso calibrado. Al presionar la tecla UNITS se puede alternar entre CAL1 y CAL2.

4. Al ver el modo de calibración deseado, presione la tecla LOCK/UNLOCK.



Ahora usted podrá leer “Unld.” en el visor.

5. Asegúrese de que no haya ninguna carga sobre la balanza y presione la tecla ZERO.
6. El visor mostrará una línea punteada (-----) y luego la palabra “LOAD” aparecerá en el visor.
7. Siga uno de los siguientes pasos:
 - A. PARA LA OPCIÓN CAL1- soporte 50 libras (22,7 Kg) de peso calibrado de la balanza y presione la tecla ZERO.
 - B. PARA LA OPCIÓN CAL2- soporte 200 libras 90,8 Kg) de peso calibrado de la balanza y presione la tecla ZERO.
8. El visor mostrará una línea punteada (-----) y luego la palabra “DONE” aparecerá en el visor.
9. Quite el peso de la balanza y presione la tecla LOCK/UNLOCK.



Ahora la unidad se encontrará en modo de prueba temporario y no trará el visor de peso. Esto permitirá que se cargue y descargue peso para verificar la calibración.

10. Apague la unidad presionando la tecla ON/OFF.
11. Encienda la unidad presionando la tecla ON/OFF.



Ahora la balanza se encontrará en funcionamiento normal.

II ACCESORIOS

II.5 Solución de Problemas

SINTOMA	CAUSA PROBABLE	SOLUCIONES
La unidad NO funciona correctamente.	Falla en la batería.	Revise la batería. Reemplácela si es necesario.
La batería ha sido reemplazada y la unidad aún NO funciona correctamente.		Póngase en contacto con Invacare para reparaciones al 1-800-333-6900

Códigos del Visors

CAL	NECESIDAD DE CALIBRACIÓN- Indica que existen datos de calibración almacenados incorrectos; se necesita calibrar.
OCAP	CAPACIDAD SUPERADA- Indica que se ha cargado en la balanza un peso que excede la capacidad.

Notes

Part No. 1078987

Rev L - 12/13



Invacare Corporation

USA

One Invacare Way
Elyria, Ohio USA
44036-2125
800-333-6900

www.invacare.com

Canada

570 Matheson Blvd E Unit 8
Mississauga Ontario
L4Z 4G4 Canada
800-668-5324



Yes, you can.®