

DE

Dusch- und Toilettenrollstuhl
Gebrauchsanweisung

EN

Commode
Operating Instructions

FR

**Chaise roulante pour douche/
toilettes**
Mode d'emploi

NL

Douche- en toiletrolstoel
Gebruiksaanwijzing

IT

**Carrozzina da doccia e da toi-
lette**
Istruzioni per l'uso

ES

Silla de ducha y WC
Manual de instrucciones

SV

Dusch- och toalettstol
Bruksanvisning

FI

Suihku- ja wc-pyörätuoli
Käyttöohje

NO

Dusj- og toalettstol
Bruksanvisning

DA

Bruse- og toilet kørestol
Betjeningsvejledning



DE



WICHTIG!

Bitte lesen Sie diese Gebrauchsanweisung aufmerksam durch, bevor Sie das Produkt benutzen. Beachten Sie alle Hinweise, insbesondere die Sicherheitshinweise, und handeln Sie danach.

ES



¡IMPORTANTE!

Por favor lea este manual de instrucciones atentamente antes de utilizar el producto. Tenga en cuenta todas las indicaciones, especialmente las relativas a la seguridad, y sígalas.

EN



IMPORTANT!

Before you use the product, please read these operating instructions carefully. Pay attention to all instructions, especially those regarding safety, and follow them at all times.

SV



OBSERVERA!

Läs igenom bruksanvisningen noggrant innan produkten används. Beakta och följ alla anvisningar, i synnerhet säkerhetsanvisningarna.

FR



IMPORTANT !

Veillez lire attentivement ce mode d'emploi avant d'utiliser le produit. Veillez respecter toutes les consignes, notamment les consignes de sécurité, et agir en conséquence.

FI



TÄRKEÄÄ!

Lukekaa tämä käyttöohje huolellisesti, ennen kuin käytätte tuotetta. Noudattakaa kaikkia ohjeita, erityisesti turvaohjeita, ja toimikaa niiden mukaisesti.

NL



BELANGRIJK!

Lees deze gebruiksaanwijzing aandachtig door, voordat u het product gebruikt. Neem alle instructies in acht, vooral de veiligheidsinstructies en volg deze op.

NO



VIKTIG!

Les bruksanvisningen nøye før du tar i bruk produktet. Følg alle henvisningene, spesielt ang. sikkerhet.

IT



IMPORTANTE!

Si prega di leggere attentamente queste istruzioni per l'uso prima di utilizzare il prodotto. Attenersi a tutte le indicazioni, in particolar modo a quelle relative alla sicurezza e procedere di conseguenza.

DA

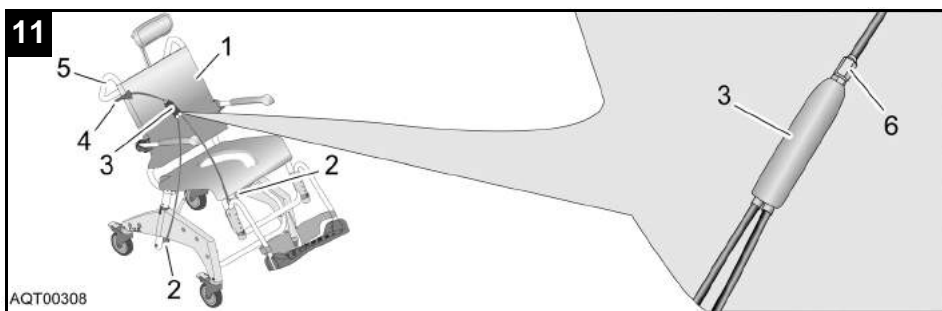
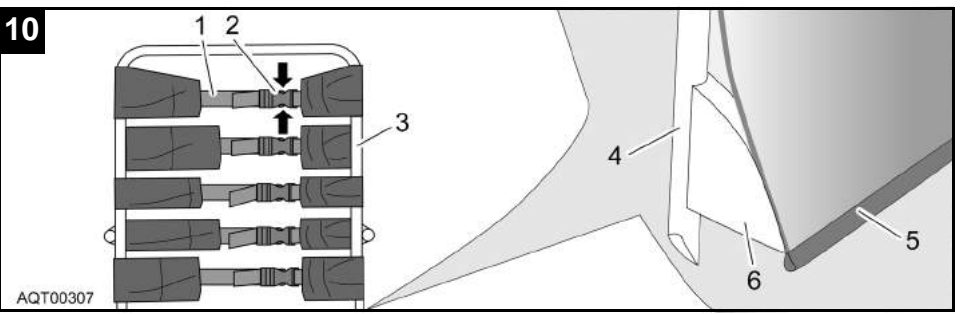
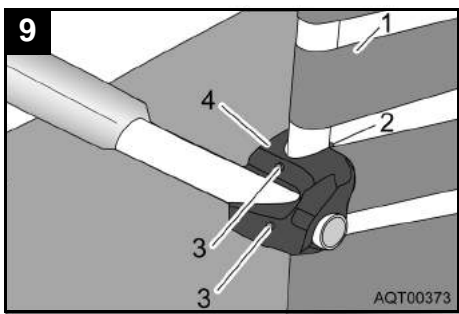
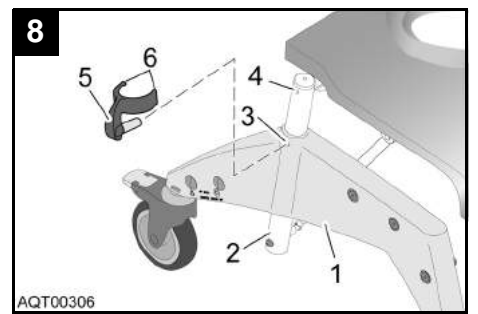
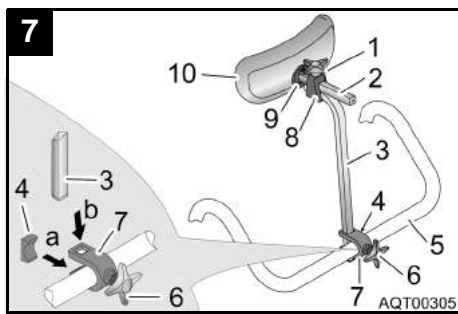
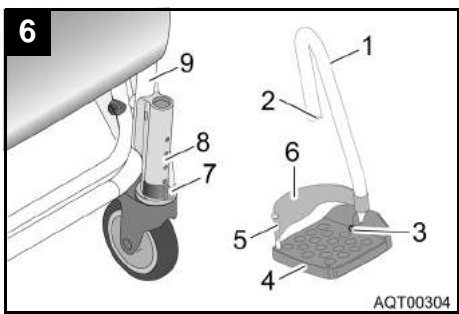
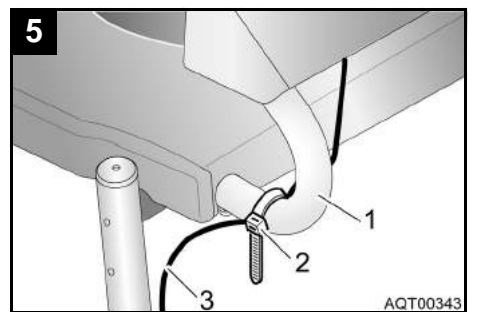
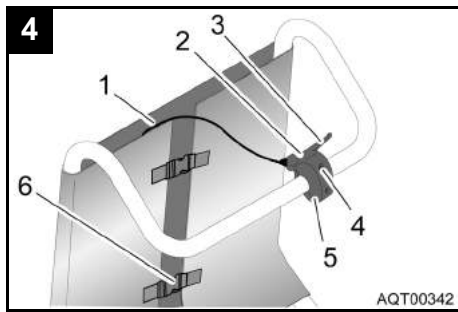
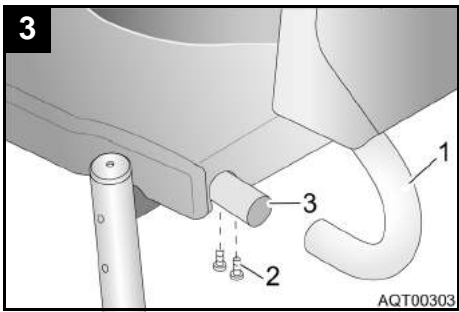
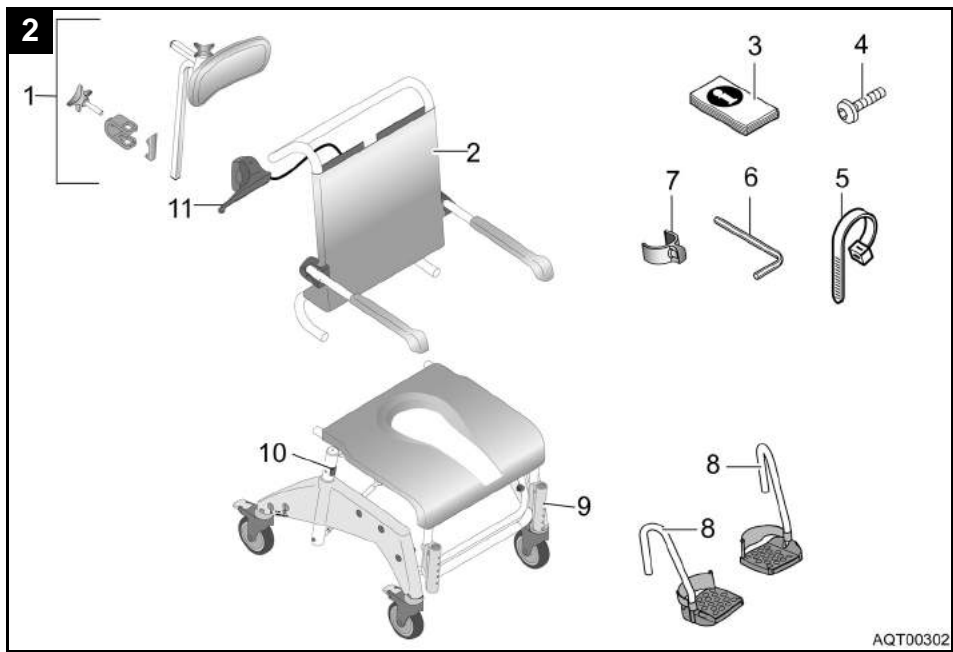


VIGTIGT!

Læs denne betjeningsvejledning opmærksomt igennem, før du anvender produktet. Læg mærke til alle henvisninger, især sikkerhedshenvisningerne, og overhold dem.

1

AQUATEC		AQUATEC GmbH	CE
OCEAN VIP		Alemannenstr. 10 D-88316 Isny	
			4 028698 077148
		150 kg	
	2005 2006 2007	SN 51 5 010 00100003	
	1 2 3 4 5 6 7 8 9 10 11 12		
AQT00374			



Contents

1	General instructions	10
1.1	Introduction	10
1.2	Proper use	10
1.3	Warranty	10
1.4	Re-use/Reconditioning	10
1.5	Disposal	10
1.6	CE marking	11
2	Safety instructions	11
2.1	Warnings and symbols	11
2.2	General instructions	11
3	Description	11
3.1	Scope of delivery	11
3.2	Technical data	11
4	Transport	11
5	Setting up	11
5.1	Assembling the commode	11
5.1.1	Inserting and moving the clips	12
5.1.2	Fitting the backrest	12
5.1.3	Attaching the removable handle and cable ties	12
5.1.4	Fitting the footrests	12
5.1.5	Fitting the headrests	12
6	Operation	13
6.1	Adjusting the seat height	13
6.2	Adjusting the height of the footrests	13
6.3	Adjusting the inclination of the foot plates	13
6.4	Adjusting the height of the armrests	13
6.5	Adjusting the backrest cover	14
6.6	Use	14
6.7	Folding the arm rests	14
6.8	Folding the footrests	14
6.9	Swivelling the seat frame with backrest	15
6.10	Locking the position locking device	15
6.11	Detaching and attaching the seat plate	15
6.12	Removing and attaching the heel loop	15
6.13	Troubleshooting	16
7	Care and maintenance	16
7.1	Cleaning	16
7.2	Maintenance	16
7.3	Changing the casters	16

1 General instructions

1.1 Introduction

These operating instructions contain information and instructions regarding the safe and proper use of your commode.

In the text of these operating instructions, we refer to figures and individual items within the figures. These references are shown in brackets.

Example: (3, fig. 2) refers to figure 2, item 3.

Keep all documents supplied in a safe place.

1.2 Proper use

The commode is to be used solely as an aid for showering or bathing, going to the toilet or for transfer indoors.

Any other use is prohibited.

Do not use the commode outdoors or as a climbing aid.

The commode can be used as a commode for standard toilets or with an (optional) sanitary pan.

1.3 Warranty

The warranty depends on the legal specifications in the country of destination or on the specifications made by our sales partners.

In the event of damage, please notify your specialist dealer or contact one of the addresses printed in these operating instructions.

The warranty period begins at the delivery date as shown on the delivery note.

1.4 Re-use/Reconditioning

The product is designed for repeated use. The maximum number of times you can re-use the product depends on its general state and condition.

On reconditioning, always follow the **AQUATEC** reconditioning and hygiene instructions. These are available on request from **AQUATEC**.

1.5 Disposal



Important!

The product does not contain any hazardous substances.

Always dispose of the individual parts at your local facility according to the material identification labels on the parts.

Proper and complete disposal can be carried out by the manufacturer.

1.6 CE marking

The product complies with EU Directive 93/42/EEC for medical equipment.

2 Safety instructions

2.1 Warnings and symbols

The following warnings and symbols are used in these operating instructions:

*	<p>CAUTION!</p> <p>This notice indicates a potential hazard.</p> <p>Not following these instructions can result in injury or damage.</p>
---	---



Important!

This symbol indicates additional instructions, information or tips.

2.2 General instructions



Lock the brakes in the parked position.



Only use the commode indoors and on even, flat surfaces.



If you detect any malfunction, please contact your authorised dealer immediately.



Do not modify or reconstruct the device.



Never carry out work on the pneumatic springs. Please contact your authorised dealer immediately if a pneumatic spring is damaged or faulty.



Observe the information on the label. Do not overload the commode.

3 Description

3.1 Scope of delivery

The **AQUATEC OCEAN VIP** is supplied with the following parts (fig. 2):

- 1 Head support
- 2 Backrest with cover and armrests
- 3 Operating instructions (in plastic bag)
- 4 Screws (4 x) for backrest
- 5 Cable ties (2 x)
- 6 Allen key
- 7 Clips (2 x) for footrests (in plastic bag)
- 8 Footrests with heel loops (2 x)
- 9 Seat frame with seat plate and side sections with casters
- 10 Clips (2 x) for height adjustment (inserted from the inside)

3.2 Technical data

Dimensions

Width	576 mm
Depth	1,058 mm
Height (without head support)	1,098 – 1,198 mm
Seat width	500 mm
Seat depth	452 mm
Seat height	500/550/600 mm
Min. distance between floor and holder for the sanitary pan	422 – 522 mm
Weight	approx. 21 kg
Load capacity	150 kg

The label (fig. 1) provides important technical information.

The label is attached to the inside of the right side section.

4 Transport

You can easily disassemble the commode into its component parts (section 3.1) for transport.

For detailed instructions on how to dismantle the device, please refer to section 5.

5 Setting up



Important!

- Before setting up, inspect all parts for damage during transport.
- This section describes the assembly. Disassembly is carried out in reverse order.
- During assembly, make sure the parts are positioned correctly in relation to each other (fig. 2).

* In the text, a picture illustrating the type of risk replaces the asterisk.

5.1 Assembling the commode

5.1.1 Inserting and moving the clips

1. Pull the two clips for height adjustment (10, fig. 2) from the inside of the seat frame and insert into the side section from the outside until both lugs (6, fig. 8) enclose the seat frame tube (2, fig. 8).
2. Remove both clips for the footrests (7, fig. 2) from the plastic bag and insert into the guide (8, fig. 6) of the seat frame (9, fig. 6) until both lugs enclose the guide.

5.1.2 Fitting the backrest

1. Lock all casters using the red foot pedals. To do this, push down the red foot pedal for the casters.



Important!

When folded up, the armrests must face forward.

2. Push the backrest (1, fig. 3) from behind onto the pin on the seat frame (3, fig. 3) until the collar of the backrest touches the seat frame tube.



Important!

Tighten the screws using the Allen key supplied.

3. Tighten the backrest on the left and right sides using two screws on each side (2, fig. 3).

5.1.3 Attaching the removable handle and cable ties



Important!

Feed the wire (1, fig. 4) for activating the pneumatic springs through the gap between the backrest cover and the belt locks.

1. Unscrew the two cross slotted cheese head screws (4, fig. 4) from the removable handle (2, fig. 4) and remove the lower part of the fastening clamp (5, fig. 4).
2. Guide the removable handle upwards through the gap between the backrest cover and the belt locks (6, fig. 4).
3. Place the removable handle with the top part of the fastening clamp onto the handle of the backrest so that the hand lever (3, fig. 4) points to the right.
4. Fix the removable handle to the tubular frame using the bottom part of the fastening clamp and the two cross slotted cheese head screws. Tighten the screws lightly.
5. Align the removable handle as shown in fig. 4.
6. Tighten the two cross slotted cheese head screws.

7. Fix the wire. To do this, place a cable tie (5, fig. 2 or 2, fig. 5) around the tubular frame (1, fig. 5) and the wire (3, fig. 5) on the left and right side of the lower curve of the backrest frame and tighten.
8. Shorten the projecting ends of the cable ties.

5.1.4 Fitting the footrests



Important!

The assembly procedure is the same for the right and the left footrests.

Push the footrest (1, fig. 6) and the footplate (4, fig. 6) inwards into the guide (8, fig. 6) on the seat frame (9, fig. 6) until the groove (2, fig. 6) catches the pin on the clip (7, fig. 6). The footrests can no longer be turned to the sides.

5.1.5 Fitting the headrests



Important!

- To adapt it to the user, the grab handle can be fitted with the curve facing the front or the back.
- The headrest pad (10, fig. 7) can be removed and replaced by other pad shapes (optional). To remove it, loosen the retaining bolts (9, fig. 7).

1. Use the star handle to insert the screw (6, fig. 7) a little into the bracket (7, fig. 7).
2. Push the bracket with the screw onto the handle of the backrest (5, fig. 7) from behind in such a way that the screw engages in the hole of the backrest's handle.
3. Insert the plate (4, fig. 7) into the bracket from the front in such a way that both lugs of the plate face down and up and the curved plate side touches the handle of the backrest.



Important!

On inserting the retainer, the curved side of the plate must rest entirely on the handle of the backrest.

4. Push the grab handle (3, fig. 7) from above into the recesses of the bracket.
5. Use the star handle to tighten the screw (6, fig. 7) until the grab handle is fixed.
6. Push the pad (10, fig. 7) and the pad holder (2, fig. 7) into the holder on the grab handle (8, fig. 7).
7. Use the star handle to tighten the upper screw (1, fig. 7) until the pad holder is fixed.

6 Operation

6.1 Adjusting the seat height

 **Important!**

- The seat height must be adjusted to suit the user. As a rule, the seat height is correctly adjusted when the user is sitting on the commode and both feet touch the ground.
 - The seat height must be adjusted on both sides simultaneously. To make adjustments, a second person is required to help.
 - Do not adjust the seat height of the commode when someone is sitting on it.
1. Slightly raise the commode at the seat frame.
 2. Take out both clips (5, fig. 8).
 3. To adjust the seat height, pull the seat frame out of the side section (1, fig. 8) or push it in.
 4. Align the clip recesses (3, fig. 8) at the side section with a hole on the seat frame (4, fig. 8).
 5. Push both clips from the outside into the side section until the two lugs (6, fig. 8) enclose the seat frame tube (2, fig. 8).

6.2 Adjusting the height of the footrests

1. Pull up the footrest (1, fig. 6) slightly.
2. Pull out the clip (7, fig. 6) and put it in again at the required position. Pull out the footrest slightly further if necessary.
3. Push down the footrest until the groove (2, fig. 6) catches the pin of the clip (7, fig. 6).
4. Set the other footrest to the same height as described.

6.3 Adjusting the inclination of the foot plates

 **Important!**

- The inclination of the foot plates can be adjusted infinitely variably.
 - The right and left foot plates must be adjusted in the same way.
1. Loosen the Allen screw (3, fig. 6) on the foot plate using a size 4 Allen key.
 2. Turn the foot plate (4, fig. 6) to the desired position.
 3. Tighten the Allen screw again.

6.4 Adjusting the height of the armrests



Important!

- The height of the armrests must be adjusted to suit the user.
 - The height of the armrests must be adjusted by the same amount on both sides.
 - The height of the right and left armrest is adjusted in the same way.
1. Open the belt lock of the belt inside the backrest frame at the backrest cover.
 2. Open the belt lock of the belt above the armrests at the backrest cover (1, fig. 9).
 3. Feed this belt along the backrest frame and close again.



Important!

- The nuts are inserted loosely in the fastening clamp and can fall out.
4. Unscrew the screws (3, fig. 9) of the armrest holder (4, fig. 9) using the supplied Allen key.
 5. Remove the fastening clamp (2, fig. 9) with the nuts from the inside of the backrest frame.
 6. Remove the armrest holder (4, fig. 9) with the armrest and move upwards.



Important!

- The small hole is for fixing the fastening clamp.
7. Insert the screws into the armrest holder and guide into the holes in the backrest frame.
 8. Replace the nuts in the fastening clamp if necessary.
 9. Place the fastening clamp onto the backrest frame so that the fixing of the fastening clamp engages with the small hole.
 10. Insert the screws into the nuts and tighten.
 11. Guide the belt of the backrest cover around the back rest frame, close it and then tighten all the belts.

Follow the same procedure to adjust the armrests to the lower position.



Important!

Open the belt below the armrest and feed it through the backrest frame if you are adjusting the armrest to the lower position.

6.5 Adjusting the backrest cover

Important!

- The lower seam (5, fig. 10) of the backrest cover must always be below the distance piece (6, fig. 10) of the backrest frame (4, fig. 10).
- To attach accessories, the second belt lock can be opened from above and the backrest cover can be passed by the backrest frame on the inside at this point (3, fig. 10).
- At least three belts must always be passed by the backrest frame (on the outside) and their belt locks must be closed.

The backrest tension can be individually adjusted.

Tensioning:



Tighten the belts (1, fig. 10) of the backrest cover.



Loosening:

1. Open the belt locks (2, fig. 10) by pressing the lugs (arrow, fig. 10).
2. Push the belt back through the lock.
3. Close the belt locks.
4. Slightly tension the belt.


6.6 Use

When using the commode, observe the following safety rules:

	CAUTION!
	<ul style="list-style-type: none"> ● Seat surface may slip if loose Check whether the seat surface is firmly secured to the seat frame before use. ● Slipping caused by the chair rolling Lock the casters using the red foot pedals before getting into or out of the chair.
	<p>Rolling away Lock the casters with the red foot pedals in parked position.</p>

	CAUTION!
	<p>Tipping over</p> <ul style="list-style-type: none"> ● Push the footrests to the sides or fold up the foot plates before getting into or out of the chair. ● Swivel the front casters so that the lock is pointing forwards before getting into or out of the chair. ● Do not stand on the footrests. ● Only drive the user on the commode when the seat frame and backrest are fixed in the upright position. ● Never remove the pneumatic springs.
	<p>Risk of breakage during transport</p> <ul style="list-style-type: none"> ● Only lift the commode by the sides when someone is sitting in it. ● Use only the handle on the backrest to steer or push the commode, never the head support.

6.7 Folding the arm rests


	CAUTION!
	<p>Risk of catching due to folding mechanism</p> <ul style="list-style-type: none"> ● When folding down the armrests, do not reach into the joint, and make sure that no parts become jammed. ● When folding up the armrests, do not reach between the armrest and the backrest.

6.8 Folding the footrests

Position for getting in and out:

1. Push the footrest slightly upwards along the guide until the groove (2, fig. 6) no longer catches the pin of the clip (7, fig. 6).
2. Fold the footrest to the side.

Driving position:

	CAUTION!
	<p>Loose footrests can be dangerous Fix the footrests in the driving position.</p>

1. Turn the footrests inwards.
2. Push down the footrest until the groove (2, fig. 6) catches the pin of the clip (7, fig. 6).

6.9 Swivelling the seat frame with backrest



Important!

- Only use the removable handle and only swivel the seat frame with backrest if a user is sitting on the commode.
- On swiveling the seat frame with backrest, pull the backrest backwards or forwards using the handle.
- Never reach into the area between the seat frame with backrest and the front tubular frame between the side sections when swivelling.
- Do not drive when the seat frame of the backrest is swivelled.

The seat frame can be tilted approx. 35° backwards together with the backrest.

1. Pull the removable handle (4, fig. 11) and hold it in this position. The distributor (3, fig. 11) is used to release the blocking of the pneumatic springs (2, fig. 11).
2. Press the seat frame (1, fig. 11) at the handle of the backrest (5, fig. 11) backwards or forwards together with the backrest. The pneumatic springs (2, fig. 11) are extended (fig. 11) or retracted.
3. Release the removable handle. The seat frame is fixed at the currently set inclination.

Proceed as follows to swivel the seat frame with backrest forward if it is swivelled backwards without a user:

1. Stand next to the commode.
2. Pull the removable handle with one hand and keep in this position.
3. Press the seat frame with backrest down by pushing the middle of the seat surface with your other hand.
4. Release the removable handle once the seat frame with backrest is swivelled forwards. The seat frame is now fixed in this position.

6.10 Locking the position locking device



Important!

The position locking device only locks in position if the wheel is in forward position.

Lock the locking device at the caster with the blue foot pedal. The caster is fixed in forward position.

6.11 Detaching and attaching the seat plate

Detaching:

Pull up the seat plate on both sides.

Attaching:

	CAUTION!
	<p>Risk of catching</p> <p>Do not reach between the seat surface and the seat frame when pressing down the seat plate.</p>

1. Place the seat plate on the seat frame with the hole at the front (fig. 2).
2. Push the seat plate as far back as it will go.
3. Using the palm of your hand, push the sides of the seat plate down, and then the front and the back, until the seat plate snaps into the seat frame.

6.12 Removing and attaching the heel loop

1. Open the velcro fastening at the heel loop (6, fig. 6).



Important!

When the bolt is unscrewed, the nut below may fall out.

2. Unscrew the bolt (5, fig. 6).
3. Take off the screw with the spacer, and the nut underneath the foot plate.
4. Pull the heel loop off the spacer.

The heel loop can be fitted in the reverse order.



Important!

The velcro fastening of the heel loop should be inside when fitted.

6.13 Troubleshooting

Problem	Possible causes	Remedy
Difficulty in adjusting the seat height	Dirt between the seat frame and the side section	Disassemble the commode into its component parts and clean it thoroughly
The casters are difficult or impossible to turn	Dirt between the fork and the wheel	Thoroughly clean the casters
Difficulty pushing the footrests to the side	Dirt in the guides	Remove the footrests and thoroughly clean them
The seat frame with backrest cannot be swiveled	Nut (6, fig. 11) loosened on the distributor (3, fig. 11) The pneumatic is faulty	Tighten the nut Contact the authorised dealer

7 Care and maintenance


Important!

- Hygiene is especially important as regards the toilet. Regularly clean the commode and keep it clean.
- This product can be disinfected. Choose the disinfectant in accordance with **AQUATEC** care guidelines. These are available on request from **AQUATEC**.

7.1 Cleaning

Important!

- Do not use abrasive cleaning agents.
 - Do not detach the holders for the accessories.
1. Take off any fitted accessories.
 2. Pull the footrests out of the guides.
 3. Take off the seat plate and the backrest cover.
 4. Wash the individual parts with commercial detergents (e.g. all purpose cleaning agents) using a cloth or brush.
 5. Rinse the parts under warm water.
 6. Dry the parts with a cloth.
 7. Reassemble the commode.


	CAUTION!
	Burns Let the commode cool down before touching it.

In clinics, in addition to the cleaning operations described above, the commode should be cleaned at regular intervals at 85 °C for 3 minutes in the autoclave.

7.2 Maintenance

The commode is maintenance-free provided you follow the care instructions described above.

7.3 Changing the casters

	CAUTION!
	Only authorised dealers may change the casters.