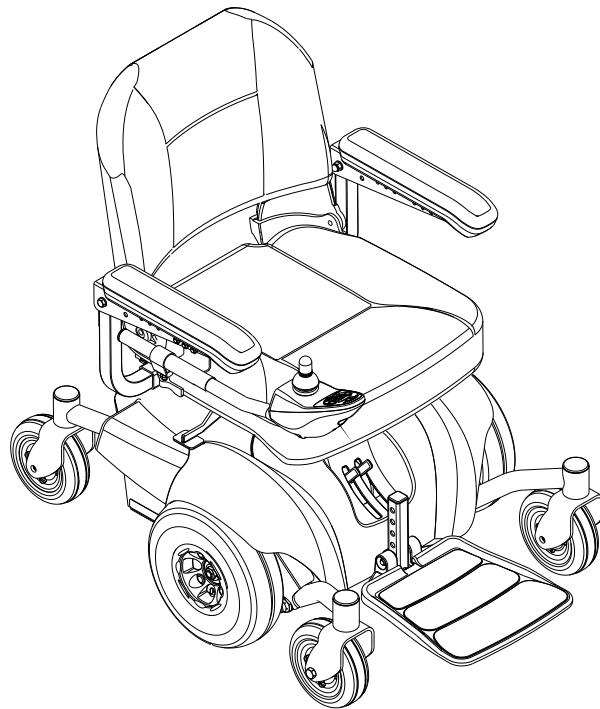


Pronto[®] M41 with SureStep[®]



DEALER: This manual **MUST** be given to the user of the wheelchair.

USER: **BEFORE** using this wheelchair, read this manual and save for future reference.

For more information regarding
Invacare products, parts, and services,
please visit www.invacare.com



Yes, you can.[®]

⚠ WARNING

RISK OF INJURY OR DAMAGE

INCORRECT SET UP OF THIS WHEELCHAIR PERFORMED BY USERS/CAREGIVERS OR UNQUALIFIED TECHNICIANS CAN RESULT IN INJURY OR DAMAGE.

USER/CAREGIVERS- DO NOT ATTEMPT TO SET UP THIS WHEELCHAIR.

INITIAL SET UP OF THIS WHEELCHAIR MUST BE PERFORMED BY A QUALIFIED TECHNICIAN.

⚠ DANGER

RISK OF DEATH, SERIOUS INJURY OR DAMAGE

IMPROPER USE OF THIS PRODUCT MAY CAUSE INJURY OR DAMAGE

IF YOU ARE UNABLE TO UNDERSTAND THE WARNINGS, CAUTIONS OR INSTRUCTIONS, CONTACT A HEALTH CARE PROFESSIONAL OR DEALER BEFORE ATTEMPTING TO USE THIS EQUIPMENT.

DO NOT USE THIS PRODUCT OR ANY AVAILABLE OPTIONAL EQUIPMENT WITHOUT FIRST COMPLETELY READING AND UNDERSTANDING THESE INSTRUCTIONS AND ANY ADDITIONAL INSTRUCTIONAL MATERIAL SUCH AS USER MANUAL, SERVICE MANUALS OR INSTRUCTION SHEETS SUPPLIED WITH THIS PRODUCT OR OPTIONAL EQUIPMENT.

REFERENCE DOCUMENTS

DOCUMENT	PART NUMBER
Pronto M4I with SureStep Service Manual	1145724
MK ₅ ™ NX™ Electronics Manual	1110532

NOTE: Updated versions of this manual are available on www.invacare.com.

TABLE OF CONTENTS

REFERENCE DOCUMENTS	2
SPECIAL NOTES	6
LABEL LOCATION	8
SPECIFICATIONS	9
SECTION 1—GENERAL GUIDELINES	11
Accessories Information	11
Batteries.....	11
Operation Information.....	12
Grounding Instructions	15
Repair or Service Information	15
Rain Test.....	16
Weight Training.....	17
Weight Limitation.....	17
SECTION 2—SAFETY GUIDELINES	18
SECTION 3—EMI INFORMATION	21
SECTION 4—INITIAL SETUP	23
Setup Checklist	23
SECTION 5—SAFETY/HANDLING OF WHEELCHAIRS	24
Stability and Balance.....	24
Coping With Everyday Obstacles.....	25
A Note to Wheelchair Assistants	25
Pinch Points.....	25
Lifting/Stairways	26
Transferring To and From Other Seats	27
Reaching, Leaning and Bending - Forward	28
Reaching and Bending - Backward	29
SECTION 6—SAFETY INSPECTION	30
Safety Inspection Checklists.....	30
Troubleshooting Guide.....	33
Troubleshooting - Electrical.....	34
SECTION 7—WHEELCHAIR OPERATION	36
Turning the Power On/Off.....	36
Using the Joystick to Drive the Wheelchair	37
SPJ™ + Joystick Switches and Indicators	38

TABLE OF CONTENTS

SECTION 8—ARMS	41
Removing/Installing the Arms	41
Adjusting the Arms	42
SECTION 9—SEAT	44
Removing/Installing the Seat Assembly	44
Adjusting the Back Angle (Semi-Recline Back)	45
Adjusting the Headrest	45
Replacing the Seat Positioning Strap	46
SECTION 10—FOOTBOARD ASSEMBLY	47
Removing/Installing the Footboard Assembly	47
Adjusting the Footboard Assembly	48
SECTION 11—FRONT RIGGINGS	51
Installing/Removing Front Riggings	51
Adjusting Footrest Height	52
Replacing Heel Loops	53
Raising/Lowering Elevating Front Riggings	54
Adjusting/Replacing Telescoping Front Rigging Supports	54
SECTION 12—SHROUD AND WHEELS	56
Replacing the Flat Free Tires on the Wheel Rim	56
Removing/Installing the Top Shroud	56
Removing/Installing the Rear Shroud	57
Engaging/Disengaging Motor Release Lever	58
Removing/Installing Casters	58
Adjusting Forks	59
Removing/Installing Forks and/or Caster Assemblies	60
Adjusting Anti-Dive Springs	60
SECTION 13—ELECTRONICS	61
Removing/Installing the Joystick	61
Repositioning the Joystick	62
Disconnecting/Connecting the Joystick	63

TABLE OF CONTENTS

SECTION 14—BATTERIES	64
Warnings For Handling and Replacing Batteries	64
Using the Proper Batteries.....	65
Removing/Installing the Batteries.....	65
Connecting/Disconnecting Battery Cables.....	67
Charging Batteries	70
Battery Charger Operation.....	71
SECTION 15—ACCESSORIES	73
Installing/Removing the Crutch/Cane Holder.....	73
Installing/Removing the Oxygen Holder	74
Installing/Removing/Using the Walker Holder	75
SECTION 16—WEAR AND TEAR INFORMATION	77
General Information	77
GLOBAL LIMITED WARRANTY (EXCLUDING CANADA)	79
CANADA LIMITED WARRANTY	80

SPECIAL NOTES

Signal words are used in this manual and apply to hazards or unsafe practices which could result in personal injury or property damage. Refer to the table below for definitions of the signal words.

SIGNAL WORD	MEANING
DANGER	Danger indicates an imminently hazardous situation which, if not avoided, will result in death or serious injury.
WARNING	Warning indicates a potentially hazardous situation which, if not avoided, could result in death or serious injury.
CAUTION	Caution indicates a potentially hazardous situation which, if not avoided, may result in property damage, minor injury or both.

NOTICE

THE INFORMATION CONTAINED IN THIS DOCUMENT IS SUBJECT TO CHANGE WITHOUT NOTICE.

WHEELCHAIR USER

As a manufacturer of wheelchairs, Invacare endeavors to supply a wide variety of wheelchairs to meet many needs of the end user. However, final selection of the type of wheelchair to be used by an individual rests solely with the user and his/her healthcare professional capable of making such a selection. Invacare recommends working with a qualified rehab technology provider, such as ATP, (Assistive Technology Professional).

WHEELCHAIR TIE-DOWN RESTRAINTS AND SEAT RESTRAINTS

Wheelchair users should not be transported in vehicles of any kind while in wheelchairs. As of this date, the Department of Transportation has not approved any tie-down systems for transportation of a user while in a wheelchair, in a moving vehicle of any type.

It is Invacare's position that users of wheelchairs should be transferred into appropriate seating in vehicles for transportation and use be made of the restraints made available by the auto industry. Invacare cannot and does not recommend any wheelchair transportation systems.

DANGER

Risk of Death or Serious Injury

Not wearing your seat positioning strap could result in death or serious injury.

ALWAYS wear your seat positioning strap. Your seat positioning strap helps reduce the possibility of a fall from the wheelchair. The seat positioning strap is a positioning belt only. It is not designed for use as a safety device withstanding high stress loads such as auto or aircraft safety belts. If signs of wear appear, seat positioning strap **MUST** be replaced **IMMEDIATELY**.

⚠ WARNING

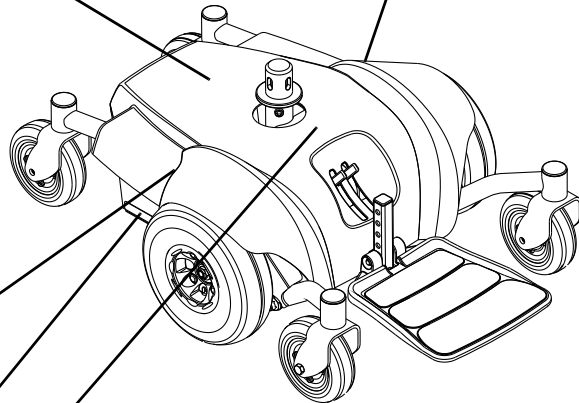
The drive behavior initially experienced by the user may be different from other chairs previously used. This power wheelchair has Invacare's SureStep technology, a feature that provides the chair with optimum traction and stability when driving forward over transitions and thresholds of up to 1-inch.

LABEL LOCATION

⚠ WARNING The POSITIVE (+) RED Battery Cable MUST connect to the POSITIVE (+) Battery Terminal(s)/ Post(s). The NEGATIVE (-) BLACK Battery Cable MUST connect to the NEGATIVE (-) Battery Terminal(s)/Post(s). DO NOT allow Battery Cable(s) to contact the opposite Battery Terminal(s)/Post(s). Install protective caps on POSITIVE (+) and NEGATIVE (-) battery terminals. Replace cable(s) immediately if cable(s) insulation becomes damaged. Failure to observe these warnings may result in an electrical short with serious personal injury and/or damage to the electrical system. See Owner's Manual. DO NOT remove fuse or mounting hardware from POSITIVE (+) RED battery cable mounting screw. **DO NOT REMOVE THIS LABEL.**

1143237 located on underside of shroud

⚠ WARNING
Only qualified technicians should replace or adjust the anti-dive springs.
1141481 Rev B



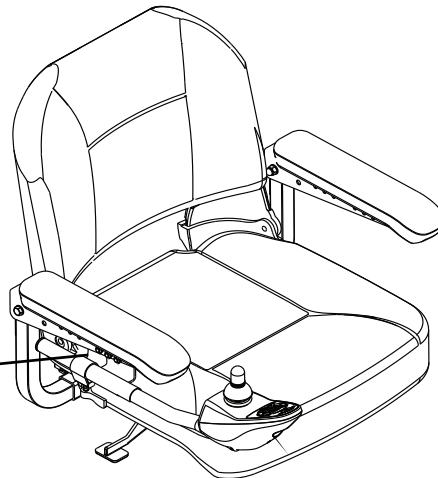
⚠ WARNING
Only qualified technicians should replace or adjust the anti-dive springs.
1141481 Rev B

Serial number label is located here

NO WHEELCHAIR HAS BEEN APPROVED FOR USE AS A SEATING SURFACE WITHIN A MOTOR VEHICLE. THIS LABEL IS FOR INFORMATIONAL PURPOSES ONLY. LIABILITY ISSUES WERE NOT CONSIDERED IN THE ATTACHMENT OF THIS LABEL.

AUCUN FAUTEUIL ROULANT N'A ÉTÉ APPROUVÉ POUR ÊTRE UTILISÉ COMME SIÈGE À L'INTÉRIEUR D'UN VÉHICULE MOTORISÉ. CETTE ÉTIQUETTE NE PEUT ÊTRE UTILISÉE QU'A TITRE D'INFORMATION ET N'A PAS ÉTÉ AFFICHÉE ICI POUR DES RAISONS DE RESPONSABILITÉ LÉGALE

Weight Capacity Label located here



SPECIFICATIONS

	FOLD-DOWN SEAT	OFFICE STYLE SEMI-RECLINE SEAT	SEMI-RECLINE SEAT W/ SOLID SEAT PAN
SEAT WIDTH:	18 inches	16 - 20 inches	
SEAT DEPTH:	17 inches	16 - 18 inches	16 - 20 inches
BACK HEIGHT:	16 inches	23½ inches (w/ headrest) 18¾ inches (w/o headrest)	
BACK ANGLE RANGE:	95° Fixed	92 - 115°	90 - 114°
UPHOLSTERY:	Black Vinyl	Dark Grey Vinyl	Light Grey Vinyl
SEAT-TO-FLOOR (WITH FOOTBOARD)	19 to 23 inches		18 to 22 inches (w/o Seat Cushion)
OVERALL WIDTH (WITHOUT JOYSTICK):	24 inches		
OVERALL HEIGHT:	33 - 38 inches	41½ inches	35 - 43¾
OVERALL LENGTH WITH FOOTBOARD UP:	34 inches	34 inches	
WITH FOOTBOARD DOWN:	38 inches	39½ inches	
DRIVE WHEELS/TIRES:	10 x 3-inch (Flat Free inserts)		
CASTER:	6 x 2-inch		
FOOTRESTS/LEGRESTS:	Flip Up, Depth and Height Adjustable, Footboard.	Flip Up, Depth and Height Adjustable, Footboard, Swingaway Front Rigging, Elevating Legrest	
OPERATING TEMPERATURE	122 F (50 C) Maximum to -13 F (-25 C) Minimum		
STORAGE TEMPERATURE	149 F (65 C) Maximum to -58 F (-40 C) Minimum		

SPECIFICATIONS

	FOLD-DOWN SEAT	OFFICE STYLE SEMI-RECLINE SEAT	SEMI-RECLINE SEAT W/ SOLID SEAT PAN
*WEIGHT W/O BATTERIES AND FOOTPLATE: W/BATTERIES (U1) AND FOOTPLATE:	110 lbs 161 lbs	124 lbs 175 lbs	129 lbs 180 lbs
SHIPPING BASE W/O BATTERIES: BASE W/ BATTERIES SEAT:	80 lbs 130 lbs 30 lbs	80 lbs 130 lbs 44 lbs	80 lbs 130 lbs 49 lbs
ARMRESTS:	Adjustable Width, Angle, and Depth	Adjustable Width, Angle, and Height	
BATTERIES:	U1 - Quantity 2		
WEIGHT LIMITATION:	300 lbs		
PERFORMANCE SPEED: TURNING RADIUS: **RANGE (VARIABLE):	0 to 5 m.p.h. Front: 18 inches/Rear: 19 inches up to 12 miles		

**NOTE: Includes accessories.*

***NOTE: Values for range are calculated for maximum chair weight rating using largest batteries applicable (U1), per test procedures described in ANSI/RESNA WC/VOL2-1998 Section 4 and meet federal reimbursement requirements for this product. While considered typical, they are derived based on certain ideal conditions. Variances in battery condition, user weight, usage pattern or overall terrain conditions will result in actual values for range that differ from these stated values. Users should become accustomed to how their unique conditions impact their individual results. Users should become familiar with the battery discharge indicator on the joystick to determine the range of their wheelchair. Refer to Battery Charger Operation on page 71 for more information about the battery discharge indicator.*

SECTION I—GENERAL GUIDELINES

⚠ WARNING

SECTION I - GENERAL GUIDELINES contains important information for the safe operation and use of this product.

Accessories Information

⚠ WARNING

Risk of Serious Injury or Damage

Use of non-Invacare accessories may result in serious injury or damage.

Invacare products are specifically designed and manufactured for use in conjunction with Invacare accessories. Accessories designed by other manufacturers have not been tested by Invacare and are not recommended for use with Invacare products.

DO NOT use non-Invacare accessories.

To obtain Invacare accessories, contact Invacare by phone or at www.invacare.com.

⚠ WARNING

Extreme care should be exercised when using oxygen in close proximity to electric circuits and other combustible materials. Contact your oxygen supplier for instruction in the use of oxygen.

Batteries

⚠ WARNING

The warranty and performance specifications contained in this manual are based on the use of deep cycle gel cell batteries. Invacare strongly recommends their use as the power source for this unit.

Carefully read battery/battery charger information prior to installing, servicing or operating your wheelchair.

The use of rubber gloves is recommended when working with batteries.

Some battery manufacturers mold a carrying strap and/or hold down flanges directly into the battery case. Batteries that interfere with the battery box cannot be used for these applications. Attempting to “wedge” a battery into a battery box may damage the box, the battery and/or be a fire hazard, resulting in serious injury or further damage to property.

Operation Information

⚠ WARNING

Risk of Serious Injury or Damage

Moving the seating system from the factory setting may reduce driver control, wheelchair stability, traction and increase caster wear resulting in serious injury or damage.

Move the seating system **ONLY** when necessary to fit the wheelchair to the user.

If the seating system must be moved, **ALWAYS** inspect the wheelchair to ensure the front rigging **DOES NOT** interfere with the front casters.

If the seating system must be moved, **ALWAYS** inspect to ensure the wheelchair **DOES NOT** easily tip forward or backward.

⚠ DANGER

Risk of Death, Serious Injury or Damage

Operating the wheelchairs outdoors or in areas of poor lighting may result in death, serious injury, or damage.

Operating the wheelchair near motor vehicles may result in death, serious injury or damage.

DO NOT operate on roads, streets or highways.

Use caution when operating the wheelchair outdoors at night or in areas with poor lighting.

ALWAYS be aware of motor vehicles when using the wheelchair.

⚠ DANGER

Risk of Death, Serious Injury, or Damage

Continued use of the wheelchair that is not set to the correct specifications may cause erratic behavior of the wheelchair resulting in death, serious injury, or damage.

Performance adjustments should only be made by professionals of the healthcare field or persons fully conversant with this process and the driver's capabilities.

After the wheelchair has been set up/adjusted, check to make sure that the wheelchair performs to the specifications entered during the set up procedure. If the wheelchair does not perform to specifications, turn the wheelchair **Off** immediately and reenter set up specifications. Contact Invacare, if wheelchair still does not perform to correct specifications.

⚠ DANGER**Risk of Death, Serious Injury or Damage**

Misuse of the wheelchair may cause component failure and/or the wheelchair to start smoking, sparking, or burning. Death, serious injury, or damage may occur due to fire.

DO NOT use the wheelchair other than its intended purpose. If the wheelchair starts smoking, sparking, or burning, discontinue using the wheelchair and seek service **IMMEDIATELY**.

⚠ WARNING**Risk of Serious Injury or Damage**

Operating the wheelchair with a ground clearance of less than 3 inches between the footplates and the ground/floor may cause serious injury or property damage.

ALWAYS maintain a minimum of 3 inches between the bottom of the footplates and ground/floor to ensure proper ground clearance while the wheelchair is in motion. If necessary, adjust the footplates height to achieve proper ground clearance. After footplates height adjustment, if the wheelchair dips forward and the footplates touch the ground while in motion, please contact your dealer for an inspection and avoid use of the wheelchair if possible.

NOTE: This warning applies to the use of the footboard as well.

⚠ WARNING

To determine and establish your particular safety limits, practice use of this product on various sloping surfaces in the presence of a qualified healthcare provider before attempting active use of this wheelchair. Other general warnings listed within this document also apply.

ALWAYS shift your weight in the direction you are turning. **DO NOT** shift your weight in the opposite direction of the turn. Shifting your weight in the opposite direction of the turn may cause the inside drive wheel to lose traction and the wheelchair to tip over.

DO NOT shift your weight or sitting position toward the direction you are reaching as the wheelchair may tip over.

DO NOT engage or disengage the motor release levers until the power is in the Off position.

DO NOT climb, go up or down ramps or traverse slopes greater than 7°.

DO NOT attempt to drive over curbs or obstacles. Doing so may cause your wheelchair to turn over and cause bodily harm or damage to the chair.

DO NOT leave the power button in the On position when entering or exiting your wheelchair.

DO NOT stand on the frame of the wheelchair.

⚠ WARNING

Limited Clearance Between Footboard and Caster - The user's feet **MUST** remain centered on the footboard, away from the footboard sides, while operating the wheelchair. If the user's feet are allowed to rest off the side of the footboard they may come in contact with the caster possibly resulting in injury.

DO NOT stand on the flip-up footboard, otherwise damage may occur. When getting in or out of the wheelchair, make sure that the flip-up footboard is in the upward position.

DO NOT stand on the front riggings, otherwise damage may occur. When getting in or out of the wheelchair, make sure that the footplates on the front riggings are in the upward position or moved out of the way.

Make sure the detent balls of the quick-release pin are fully released beyond the outer edge of the tube before operating the wheelchair. Otherwise, injury and/or damage may result.

Keep detent balls clean.

Before performing any maintenance, adjustment or service verify that On/Off switch on the joystick is in the Off position.

Avoid storing or using the wheelchair near open flame or combustible products. Serious injury or damage to property may result.

Check to ensure that the **RED** and **BLACK** battery terminal caps are secured in place, joystick boot is not torn or cracked where water can enter and that all electrical connections are secure at all times.

DO NOT use the wheelchair if the joystick boot is torn or cracked. If the joystick boot becomes torn or cracked, replace immediately.

Charging Batteries

⚠ DANGER

When using an extension cord, use only a three wire extension cord having at least 16 AWG (American Wire Gauge) wire and the same or higher electrical rating as the device being connected. Use of improper extension cord could result in a risk of fire and electric shock. Three prong to two prong adapters should not be used. Use of three prong adapters can result in improper grounding and present a shock hazard to the user.

NEVER attempt to recharge the batteries by attaching cables directly to the battery terminals.

DO NOT attempt to recharge the batteries and operate the wheelchair at the same time.

DO NOT operate wheelchair with extension cord attached to the AC cable.

DO NOT attempt to recharge the batteries when the wheelchair has been exposed to any type of moisture.

⚠ DANGER

DO NOT attempt to recharge the batteries when the wheelchair is outside.

DO NOT sit in the wheelchair while charging the batteries.

Read and carefully follow the manufacturer's instructions for each charger (supplied or purchased). If charging instructions are not supplied, consult a qualified technician for proper procedures.

Ensure the pins of the extension cord plug are the same number, size, and shape as those on the charger.

DO NOT under any circumstances cut or remove the round grounding plug from the charger AC cable plug or the extension cord plug.

Grounding Instructions

⚠ WARNING

DO NOT, under any circumstances, cut or remove the round grounding prong from any plug used with or for Invacare products. Some devices are equipped with three-prong (grounding) plugs for protection against possible shock hazards and fire.

Where a two-prong wall receptacle is encountered, it is the personal responsibility and obligation of the customer to contact a qualified electrician and have the two-prong receptacle replaced with a properly grounded three-prong wall receptacle in accordance with the National Electrical Code. If you must use an extension cord, use only a three-wire extension cord having the same or higher electrical rating as the device being connected. In addition, Invacare has placed **RED/ORANGE** warning tags on some equipment. **DO NOT** remove these tags.

Repair or Service Information

⚠ DANGER

Risk of Death, Serious Injury or Damage

Use of incorrect or improper replacement (service) parts may cause death, serious injury, or damage.

Replacement parts **MUST** match original Invacare parts.

ALWAYS provide the wheelchair serial number to assist in ordering the correct replacement parts.

⚠ DANGER

Risk of Death, Serious Injury, or Damage

Incorrect repair and/or servicing of this wheelchair performed by users/caregivers or unqualified technicians can result in death, serious injury, or damage.

Users/Caregivers — DO NOT attempt to repair and/or service this wheelchair.

Repair and/or service of this wheelchair MUST be performed by a qualified technician. Contact a dealer or Invacare technician.

⚠ DANGER

Risk of Death, Serious Injury, or Damage

Corroded electrical components due to water, liquid exposure, or incontinent users can result in death, serious injury, or damage.

Minimize exposure of electrical components to water and/or liquids. Electrical components damaged by corrosion MUST be replaced immediately.

Wheelchairs that are used by incontinent users and/or are frequently exposed to water/liquids may require replacement of electrical components more frequently.

Rain Test

⚠ CAUTION

Risk of Damage

Operating the wheelchair in rain or dampness may cause the wheelchair to malfunction electrically and mechanically; may cause the wheelchair to prematurely rust or may damage the upholstery.

DO NOT leave wheelchair in a rain storm of any kind.

DO NOT use wheelchair in a shower.

DO NOT leave wheelchair in a damp area for any length of time.

Check to ensure that the battery covers are secured in place, joystick boot is NOT torn or cracked where water can enter and that all electrical connections are secure at all times. DO NOT use if the joystick boot is torn or cracked. If the joystick boot becomes torn or cracked, replace IMMEDIATELY.

NOTE: Invacare has tested its power wheelchairs in accordance with ISO 7176 "Rain Test". This provides the end user or his/her attendant sufficient time to remove his/her power wheelchair from a rain storm and retain wheelchair operation.

Weight Training

⚠ WARNING

Invacare does not recommend the use of its wheelchairs as a weight training apparatus. Invacare wheelchairs have not been designed or tested as a seat for any kind of weight training. If occupant uses said wheelchair as a weight training apparatus, Invacare shall not be liable for bodily injury and the warranty is void.

Weight Limitation

⚠ WARNING

The M4I wheelchair with SureStep has a weight limitation of 300 lbs.

SECTION 2—SAFETY GUIDELINES

⚠ WARNING

Risk of Serious Injury or Damage

Attaching hardware that is loosely secured could cause loss of stability resulting in serious injury or damage

After **ANY** adjustments, repair or service and before use, make sure that all attaching hardware is tightened securely.\

⚠ DANGER

Risk of Death, Serious Injury, or Damage

Missing attaching hardware could cause instability resulting in death, serious injury or damage.

Ensure all attaching hardware is present and tightened securely.

⚠ WARNING

Risk of Serious Injury or Damage

Loss of power due to loose electrical connections could cause the wheelchair to suddenly stop resulting in serious injury or damage.

ALWAYS ensure that all electrical connections are tightly connected so they don't vibrate loose.

⚠ WARNING

Risk of Minor to Serious Injury

Pinch points can cause minor to serious injury.

Be mindful of potential pinch points and use caution when using this product.

⚠ WARNING

Risk of Serious Injury

Impacting objects in the surrounding environment can cause serious injury.

When maneuvering the wheelchair around, **ALWAYS** have assured cleared distance with all objects in environment.

⚠ WARNING

Risk of Serious Injury

Sharp edges can cause serious injury.

Be mindful that some parts may have sharp edges. Use caution when encountering these sharp edges.

⚠ WARNING

Risk of Serious Injury

Hot surfaces can cause severe burns.

Be mindful of potential hot surfaces and avoid touching.

⚠ DANGER

Risk of Death, Serious Injury, or Damage

Lighted cigarettes dropped onto an upholstered seating system can cause a fire resulting in death, serious injury, or damage.

Wheelchair occupants are at particular risk of death or serious injury from these fires and resulting fumes because they may not have the ability to move away from the wheelchair.

DO NOT smoke while using this wheelchair.

⚠ WARNING

Risk of Serious Injury or Damage

Accidental activation of wheelchair caused by pets, children, etc. can result in serious injury or damage.

ALWAYS turn power off when around pets and/or children to prevent unintended movement.

⚠ DANGER

Risk of Death or Serious Injury

Traveling on inclines with wet, slippery, icy or oily surfaces could cause loss of traction resulting in death or serious injury.

DO NOT use on inclines with wet, slippery, icy or oily surfaces. This may include certain painted or otherwise treated wood surfaces.

⚠ WARNING

Risk of Death or Serious Injury

Braking hard and/or sudden stops while on inclines could cause loss of stability resulting in death or serious injury.

While on inclines, **ALWAYS** travel at a reduced, constant speed to maintain stability. Traveling down ramps at high speeds will reduce traction and increase stopping distance.

DO NOT brake hard and avoid sudden stops while traveling on an incline.

If stopping becomes necessary while on an incline, release the joystick and allow the wheelchair to come to a full stop. Then proceed at a slower speed.

⚠ DANGER

Risk of Death or Serious Injury

Electric shock can cause death or serious injury

To avoid electric shock, inspect plug and cord for cuts and/or frayed wires. Replace cut cords or frayed wires immediately.

⚠ WARNING

Risk of Serious Injury or Damage

Dropping the battery can result in serious injury or property damage.

Batteries can weigh up to 52 lbs (23.6 kg). **ALWAYS** use a battery lifting strap when lifting the battery. It is the most reliable method of carrying a battery and preventing serious injury.

⚠ WARNING

Risk of Death, Serious Injury or Damage

Exceeding the weight capacity of the wheelchair/seating system could cause instability resulting in death or serious injury.

DO NOT exceed the weight capacity.

⚠ WARNING

Risk of Serious Injury or Death

Failure to observe this warning can result in serious injury or death.

Loss of traction on ramps and inclines can occur for a variety of reasons including; water, ramp material, surface conditions, steepness or grade etc. Lighter weight users may be at an increased risk for loss of traction. As such, when using on ramps or inclines always reduce speed and proceed with caution.

⚠ WARNING

Risk of Death, Serious Injury, or Damage

Improperly connected joystick could cause loss of power resulting in death, serious injury, or damage.

Ensure the joystick is securely connected to controller.

⚠ DANGER

Risk of Death, Serious Injury, or Damage

Malfunctioning joystick could cause unintended/erratic movement resulting in death, serious injury, or damage.

If unintended/erratic movement occurs, stop using the wheelchair immediately and contact a qualified technician.

SECTION 3—EMI INFORMATION

⚠ WARNING

CAUTION: IT IS VERY IMPORTANT THAT YOU READ THIS INFORMATION REGARDING THE POSSIBLE EFFECTS OF ELECTROMAGNETIC INTERFERENCE ON YOUR POWERED WHEELCHAIR.

Electromagnetic Interference (EMI) From Radio Wave Sources

Powered wheelchairs and motorized scooters (in this text, both will be referred to as powered wheelchairs) may be susceptible to electromagnetic interference (EMI), which is interfering electromagnetic energy (EM) emitted from sources such as radio stations, TV stations, amateur radio (HAM) transmitters, two way radios, and cellular phones. The interference (from radio wave sources) can cause the powered wheelchair to release its brakes, move by itself, or move in unintended directions. It can also permanently damage the powered wheelchair's control system. The intensity of the interfering EM energy can be measured in volts per meter (V/m). Each powered wheelchair can resist EMI up to a certain intensity. This is called its "immunity level." The higher the immunity level, the greater the protection. At this time, current technology is capable of achieving at least a 20 V/m immunity level, which would provide useful protection from the more common sources of radiated EMI.

There are a number of sources of relatively intense electromagnetic fields in the everyday environment. Some of these sources are obvious and easy to avoid. Others are not apparent and exposure is unavoidable. However, we believe that by following the warnings listed below, your risk to EMI will be minimized.

The sources of radiated EMI can be broadly classified into three types:

- 1) Hand-held Portable transceivers (transmitters-receivers with the antenna mounted directly on the transmitting unit. Examples include: citizens band (CB) radios, "walkie talkie", security, fire and police transceivers, cellular telephones, and other personal communication devices).

NOTE: Some cellular telephones and similar devices transmit signals while they are ON, even when not being used.

- 2) Medium-range mobile transceivers, such as those used in police cars, fire trucks, ambulances and taxis. These usually have the antenna mounted on the outside of the vehicle; and
- 3) Long-range transmitters and transceivers, such as commercial broadcast transmitters (radio and TV broadcast antenna towers) and amateur (HAM) radios.

NOTE: Other types of hand-held devices, such as cordless phones, laptop computers, AM/FM radios, TV sets, CD players, cassette players, and small appliances, such as electric shavers and hair dryers, so far as we know, are not likely to cause EMI problems to your powered wheelchair.

⚠ WARNING**Powered Wheelchair Electromagnetic Interference (EMI)**

Because EM energy rapidly becomes more intense as one moves closer to the transmitting antenna (source), the EM fields from hand-held radio wave sources (transceivers) are of special concern. It is possible to unintentionally bring high levels of EM energy very close to the powered wheelchair's control system while using these devices. This can affect powered wheelchair movement and braking. Therefore, the warnings listed below are recommended to prevent possible interference with the control system of the powered wheelchair.

Electromagnetic interference (EMI) from sources such as radio and TV stations, amateur radio (HAM) transmitters, two-way radios, and cellular phones can affect powered wheelchairs and motorized scooters.

FOLLOWING THE WARNINGS LISTED BELOW SHOULD REDUCE THE CHANCE OF UNINTENDED BRAKE RELEASE OR POWERED WHEELCHAIR MOVEMENT WHICH COULD RESULT IN SERIOUS INJURY.

- 1) Do not operate hand-held transceivers (transmitters receivers), such as citizens band (CB) radios, or turn ON personal communication devices, such as cellular phones, while the powered wheelchair is turned ON;
- 2) Be aware of nearby transmitters, such as radio or TV stations, and try to avoid coming close to them;
- 3) If unintended movement or brake release occurs, turn the powered wheelchair OFF as soon as it is safe;
- 4) Be aware that adding accessories or components, or modifying the powered wheelchair, may make it more susceptible to EMI (NOTE: There is no easy way to evaluate their effect on the overall immunity of the powered wheelchair); and
- 5) Report all incidents of unintended movement or brake release to the powered wheelchair manufacturer, and note whether there is a source of EMI nearby.

Important Information

- 1) 20 volts per meter (V/m) is a generally achievable and useful immunity level against EMI (as of May 1994) (the higher the level, the greater the protection);
- 2) This device has been tested to a radiated immunity level of 20 volts per meter;
- 3) The immunity level of the product is unknown.

Modification of any kind to the electronics of this wheelchair as manufactured by Invacare may adversely affect the EMI immunity levels.

SECTION 4—INITIAL SETUP

⚠ WARNING

After any adjustments, repair or service and before use, make sure that all attaching hardware is tightened securely - otherwise injury or damage may result.

Before performing any maintenance, adjustment or service verify that On/Off switch on the joystick is in the Off position.

Setup Checklist

NOTE: For this procedure, refer to FIGURE 4.1.

Follow the checklist below to ensure the wheelchair is properly setup before initial use.

- Place the wheelchair in a well ventilated area where work can be performed without risking damage to carpeting or floor covering.
- Ensure the battery wiring harnesses are properly connected to the right and left batteries. Refer to Connecting/Disconnecting Battery Cables on page 67.
- Install the batteries into the wheelchair base. Refer to Removing/Installing the Batteries on page 65.

NOTE: *Removing/Installing the Batteries* includes the following procedures:

- Disconnecting/Connecting the Joystick
- Removing/Installing the Seat Assembly
- Removing/Installing the Top Shroud

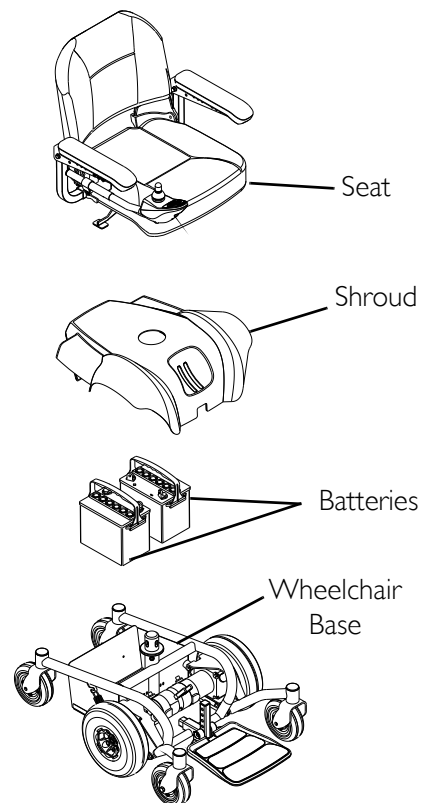


FIGURE 4.1 Setup Checklist

SECTION 5—SAFETY/HANDLING OF WHEELCHAIRS

“Safety and Handling” of the wheelchair requires the close attention of the wheelchair user as well as the assistant. This manual points out the most common procedures and techniques involved in the safe operation and maintenance of the wheelchair. It is important to practice and master these safe techniques until you are comfortable in maneuvering around the frequently encountered architectural barriers.

Use this information only as a “basic” guide. The techniques that are discussed on the following pages have been used successfully by many.

Individual wheelchair users often develop skills to deal with daily living activities that may differ from those described in this manual. Invacare recognizes and encourages each individual to try what works best for him/her in overcoming architectural obstacles that they may encounter, however all warnings and cautions given in this manual **MUST** be followed. Techniques in this manual are a starting point for the new wheelchair user and assistant with “safety” as the most important consideration for all.

Stability and Balance

WARNING

Proper positioning is essential for your safety. When reaching, leaning, bending or bending forward, it is important to use the casters as a tool to maintain stability and balance.

Be aware that carrying heavy objects on your lap while occupying the wheelchair may adversely affect the stability of the wheelchair, resulting in serious bodily injury to the user, damage to the wheelchair and surrounding property.

This wheelchair has been designed to accommodate one individual. If more than one individual occupies the wheelchair this may adversely affect the stability of the wheelchair, resulting in serious bodily injury to the user and passenger and damage to the wheelchair and surrounding property.

To assure stability and proper operation of your wheelchair, you must at all times maintain proper balance. Your wheelchair has been designed to remain upright and stable during normal daily activities as long as you do not move beyond the center of gravity. **DO NOT** lean forward out of the wheelchair any further than the length of the armrests.

Coping With Everyday Obstacles

NOTE: For this information, refer to FIGURE 5.1.

Coping with the irritation of everyday obstacles can be alleviated somewhat by learning how to manage your wheelchair. Keep in mind your center of gravity to maintain stability and balance.

While the walking beam allows you to traverse up to a 1-inch bump or threshold, stopping after the wheels cross the bump poses a problem. The chair cannot reverse over the bump at this point. Continue forward and then turn around.

While the wheelchair is designed for use primarily in and around the home, the provider should determine whether this chair is suitable for the actual environment the chair will be used in.

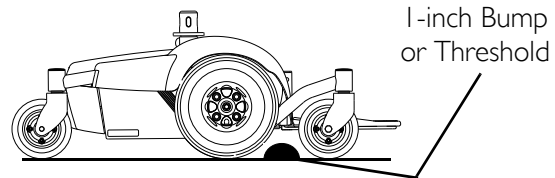


FIGURE 5.1 Coping With Everyday Obstacles

DO NOT go down ramp at full speed. Some seat/back positions will cause wheelchair to feel unstable.

CAUTION

Be aware of condition of ramp. Traction will be diminished/nonexistent on a slippery surface. Proceed with caution.

A Note to Wheelchair Assistants

When assistance to the wheelchair user is required, remember to use good body mechanics. Keep your back straight and bend your knees whenever tilting wheelchair or traversing curbs or other impediments.

Also, be aware of detachable parts such as arms or legrests. These must NEVER be used to move the wheelchair or as lifting supports, as they may be inadvertently released, resulting in possible injury to the user and/or assistant(s).

When learning a new assistance technique, have an experienced assistant help you before attempting it alone.

Pinch Points

⚠ WARNING

Pinch point may occur when adjusting the arm angle position (Detail “A”).

Pinch point may occur when rotating the footboard assembly (Detail “B”).

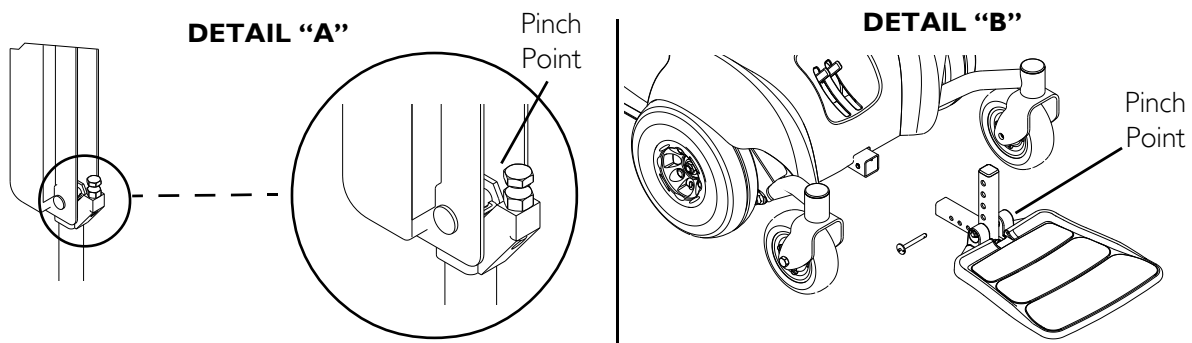


FIGURE 5.2 Pinch Points

Lifting/Stairways

⚠ WARNING

DO NOT attempt to move an occupied power wheelchair between floors using a stairway. Use an elevator to move an occupied power wheelchair between floors. If moving a power wheelchair between floors by means of a stairway, the occupant **MUST** be removed and transported independently of the power wheelchair.

Extreme caution is advised when it is necessary to move an unoccupied power wheelchair up or down the stairs. Invacare recommends using two assistants and making thorough preparations.

Use only secure, nondetachable parts for hand-hold supports.

It is strongly recommended to lift the wheelchair only by the rear frame and the front forks - otherwise injury or damage may occur.

DO NOT attempt to lift the wheelchair by any removable (detachable) parts. Lifting by means of any removable (detachable) parts of a wheelchair may result in injury to the user or damage to the wheelchair.

The weight of the wheelchair with batteries and without the user is approximately 125 lbs. Use proper lifting techniques (lift with your legs) to avoid injury.

NOTE: For this procedure, refer to FIGURE 5.3 on page 27.

Follow this procedure for moving the wheelchair between floors when an elevator is not available or lifting the wheelchair is necessary:

NOTE: When using a stairway to move the wheelchair, seat and any accessories, move all wheelchair components away from the stairway prior to reassembly.

NOTE: This procedure needs two assistants to lift the wheelchair to transport it.

1. Remove the occupant from the wheelchair.
2. Remove the seat. Refer to Removing/Installing the Seat Assembly on page 44.
3. Remove any accessories on the wheelchair.
4. Bend your knees and keep your back straight.
5. Ensure that the casters are oriented as shown in FIGURE 5.3.

6. Using the rear and front forks as hand hold supports, transfer the wheelchair base to desired location.
7. Using non-removable (nondetachable) parts, transfer the seat and any accessories to desired location.
8. Reinstall any accessories that were removed in STEP 3.
9. Reinstall the seat. Refer to Removing/Installing the Seat Assembly on page 44.

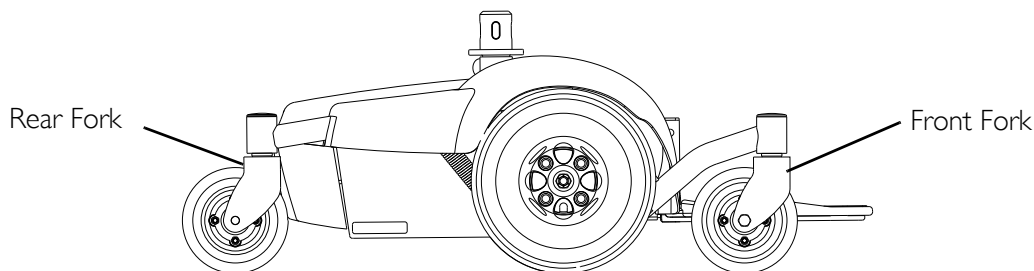


FIGURE 5.3 Lifting/Stairways

⚠ WARNING - ESCALATORS

DO NOT use an escalator to move a wheelchair between floors. Serious bodily injury may occur.

Transferring To and From Other Seats

⚠ WARNING

Risk of Serious Injury or Damage

Improper transfer techniques may cause serious injury or damage.

Before attempting transfers, consult a health care professional to determine proper transfer techniques for the user and type of wheelchair.

Reduce gap between transfer surface and wheelchair seat to the minimum distance necessary to perform transfer.

Align casters parallel to the drive wheels to improve stability during transfer.

ALWAYS turn the wheelchair power off.

ALWAYS engage both motor locks/clutches and free wheel hubs (if equipped) to prevent the wheels from moving before transferring into or from the wheelchair.

CAUTION

When transferring, position yourself as far back as possible in the seat. This will prevent broken screws, damaged upholstery and the possibility of the wheelchair tipping forward.

NOTE: For this procedure, refer to FIGURE 5.4 on page 28.

NOTE: This activity may be performed independently provided you have adequate mobility and upper body strength.

1. Position the wheelchair as close as possible along side the seat to which you are transferring, with the rear casters pointing away from it.
2. After the wheelchair is positioned properly for transfer, verify that the motor release levers are engaged. Refer to [Engaging/Disengaging Motor Release Lever](#) on page 58.
3. Flip back or remove arm on side of wheelchair you are transferring from.
4. Shift body weight into seat with transfer.

During independent transfer, little or no seat platform will be beneath you. Use a transfer board if at all possible.

Minimum Gap Distance

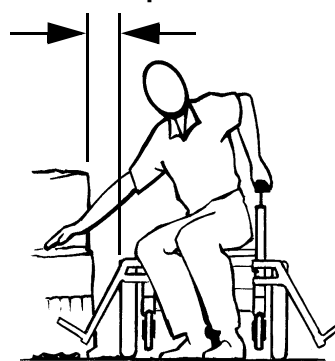


FIGURE 5.4 Transferring To and From Other Seats

Reaching, Leaning and Bending - Forward

NOTE: For this procedure, refer to FIGURE 5.5.

Many activities require the wheelchair user to reach, bend and transfer in and out of the wheelchair. These movements will cause a change to the normal balance, center of gravity, and weight distribution of the wheelchair. To determine and establish your particular safety limits, practice bending, reaching and transferring activities in several combinations in the presence of a qualified healthcare professional before attempting active use of the wheelchair.

⚠ WARNING

Risk of Serious Injury or Damage

Improper positioning while leaning or bending could cause the wheelchair to tip forward resulting in serious injury or damage.

To assure stability and proper operation of your wheelchair, you must at all times maintain proper balance. Your wheelchair has been designed to remain upright and stable during normal daily activities as long as you DO NOT move beyond the center of gravity. DO NOT lean forward out of the wheelchair any further than the length of the armrests.

DO NOT attempt to reach objects if you have to move forward in the seat or pick them up from the floor by reaching down between your knees.

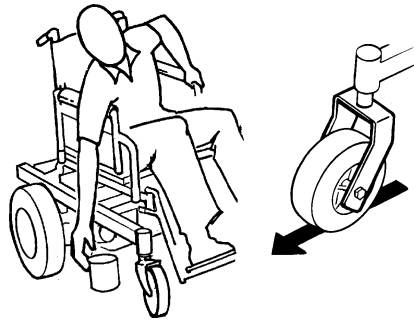


FIGURE 5.5 Reaching, Leaning and Bending - Forward

Engage motor locks and turn power off before reaching, leaning or bending only as far as your arm will extend without changing your sitting position. Position the casters so that they are extended away from the drive wheels and engage wheel locks/motor locks/clutches.

Reaching and Bending - Backward

⚠ WARNING

DO NOT lean over the top of the back upholstery. This will change your center of gravity and may cause you to tip over.

NOTE: For this procedure, refer to FIGURE 5.6.

Position wheelchair as close as possible to the desired object. Position the casters so that they are extended away from the drive wheels to create the longest possible wheelbase, engage the motor locks and turn power off. Reach back only as far as your arm will extend without changing your sitting position.



FIGURE 5.6 Reaching and Bending - Backward

SECTION 6—SAFETY INSPECTION

Safety Inspection Checklists

⚠ DANGER

Risk of Death or Serious Injury

Failure to complete the inspection of the critical components listed below could result in death or serious injury.

Inspect stability control components which could include anti-dive spring, anti-dive cylinder, ratcheting gears, or end stops to ensure proper operation.

Inspect drive axle nut, locking tab, wheel fasteners or quick release to ensure drive wheel is secure.

CAUTION

As with any vehicle, wheels and tires should be checked periodically for cracks and wear and should be replaced as necessary.

Initial adjustments should be made to suit your personal body structure needs and preference. Thereafter follow these maintenance procedures:

Inspect/Adjust Initially

- Ensure that the wheelchair rolls straight (no excessive drag or pull to one side).
- Ensure that the arms are secure but easy to release and adjustment levers engage properly.
- Ensure that adjustable height arms operate and lock securely.
- Ensure armrest pads sit flush against arm.
- Ensure seat is secured to wheelchair frame.
- Ensure seat release latch is functional. Replace if necessary.
- Clean seat upholstery and armrests.
- Ensure wheel mounting nuts are secure on drive wheels.
- Ensure no excessive side movement or binding occurs when drive wheels are lifted and spun when disengaged (freewheeling).
- Inspect caster assembly has proper tension when caster is spun. Caster should come to a gradual stop.
- Loosen/tighten caster locknut if wheel wobbles noticeably or binds to a stop.
- Ensure all caster/wheel/fork/headtube fasteners are secure.
- Ensure casters are free of debris.
- Inspect tires for flat spots and wear.

- Inspect electrical components for signs of corrosion. Replace if corroded or damaged.
- Check that all labels are present and legible. Replace if necessary.

Inspect/Adjust Weekly

- Seat is secured to wheelchair frame.
- Seat and/or back upholstery have no rips and DO NOT sag. Replace if necessary.
- Seat release latch is not worn and is functional. Replace if necessary.
- Inspect tires for flat spots and wear.
- Ensure that casters are free of debris.
- Ensure arm pivot points are not worn and/or loose. Replace if necessary.
- Check that cables are routed and secured properly to ensure that cables DO NOT become entangled and damaged during normal operation of seating system.

Inspect/Adjust Monthly

- Ensure wheel mounting nuts are secure on drive wheels.
- Ensure no excessive side movement or binding occurs when drive wheels are lifted and spun when disengaged (freewheeling).
- Inspect caster assembly has proper tension when caster is spun. Caster should come to a gradual stop.
- Ensure that casters are free of debris.
- Loosen/tighten caster locknut if wheel wobbles noticeably or binds to a stop.
- Ensure all caster/wheel/fork/headtube fasteners are secure.
- Inspect for any loose hardware on the wheelchair.
- Inspect the seat positioning strap for signs of wear. Replace if worn or damaged.
- Ensure that the buckle on the seat positioning strap latches. Replace if necessary.
- Verify that the hardware that attaches the seat positioning strap to the seat frame is secure and undamaged. Replace if necessary.
- Inspect electrical components for signs of corrosion. Replace if corroded or damaged.
- Check that all labels are present and legible. Replace if necessary.

Inspect/Adjust Periodically

- Ensure wheelchair rolls straight (no excessive drag or pull to one side).
- Ensure that casters are free of debris.
- Ensure arms are secure but easy to release and adjustment levers engage properly.
- Ensure adjustable height arms operate and lock securely.
- Ensure arm pivot points are not worn and/or loose. Replace if necessary.
- Ensure armrest pads sit flush against arm.
- Ensure seat and/or back upholstery have no rips and DO NOT sag. Replace if necessary.
- Ensure seat release latch is not worn. Replace if necessary.
- Clean upholstery and armrests.
- Inspect electrical components for signs of corrosion. Replace if corroded or damaged.
- Check that all labels are present and legible. Replace if necessary.

Troubleshooting Guide

NOTE: For additional troubleshooting information and explanation of error codes, refer to the Electronics Manual supplied with each wheelchair.

All Wheelchairs

SYMPTOM	PROBABLE CAUSE	SOLUTIONS
Limited driving distance.	Batteries not charged long enough. Batteries weak; wont hold charge.	Charge batteries overnight or ensure 8 hours of charge time between use. Ensure correct setting on charger. Replace Batteries.
Batteries not charging.	Charger not working. Battery connections loose. No current at wall outlet. Bad connection on charger, charger cable, plug or internal wiring problem.	Have charger replaced. Contact Dealer/Invacare. Check all connections. Secure connections. Switch to another wall outlet. Replace charger or internal repairs may be required. Contact Dealer/Invacare.
Batteries draw excessive current when charging.	Battery failure.	Have batteries checked for shorted cell. Replace if necessary.
Charger indicator shows low charge level immediately after charging.	Batteries weak, wont hold charge. Electrical malfunction. Charger malfunction.	Replace Batteries. Contact Dealer/Invacare. Replace charger. Contact Dealer/Invacare.
Battery indicator flashes the charge level is low immediately after recharging.	Weak Batteries. Charger malfunction. Electrical malfunction	Replace batteries. Replace charger. Contact Dealer/Invacare. Contact Dealer/Invacare.
Wheelchair will not drive.	Motor release levers are disengaged. Batteries require charging. Charger plugged in. Circuit breaker tripped.	Engage motor release levers. Charge batteries. Make sure the setting on the charger is correct. Unplug charger from wall outlet before operating the wheelchair. Reset circuit breaker. If breaker trips again, it may indicate need for internal repair. Contact Dealer/Invacare.
Motor “chatters” or runs irregularly.	Electrical malfunction.	Contact Dealer/Invacare.
Only one drive wheel turns.	Electrical malfunction. One motor lock is disengaged.	Contact Dealer/Invacare for service. Engage motor lock.
Joystick erratic or does not respond as desired.	Electrical malfunction. Controller programmed improperly.	Contact Dealer/Invacare for service. Reprogram controller (Refer to electronics manual supplied with wheelchair).
Wheelchair does not respond to commands.	Poor battery terminal connection.	Have terminals cleaned.
Power indicator off - even after recharging.	Electrical malfunction.	Contact Dealer/Invacare for service.





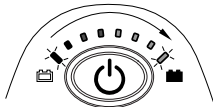

Troubleshooting - Electrical

NOTE: For additional troubleshooting information and explanation of error codes, refer to the individual Electronics Manual supplied with each wheelchair.

SPJ+ Joysticks

The joystick information gauge and the service indicator give indications of the type of fault or error detected by the control module. When a fault is detected, the wheelchair may stop and not drive. The LEDs on the information gauge may flash in a particular pattern or the service indicator light will flash. The number or type of flashes indicates the nature of the error. If multiple errors are found, only the first error encountered by the control module will be displayed.

Information Gauge Display Diagnostics

DISPLAY	DESCRIPTION	DEFINITION	COMMENTS
 <p>Information Gauge Display</p>			
	All LEDs are off.	Power is off.	
	All LEDs are on.	Power is on.	Fewer than three LEDs on implies reduced battery charge.
	Left RED LED is flashing.	Battery charge is low.	The batteries should be charged as soon as possible.
	Left to Right “chase” alternating with steady display.	Joystick is in programming, inhibit and/or charging mode.	The steady LEDs indicate the current state of the battery charge.
	All LEDs are flashing slowly.	Joystick has detected Out-of-Neutral-at-Power-Up mode.	Release the joystick back to Neutral.

Service Indicator Light Diagnostics

NUMBER OF FLASHES	ERROR CODE DESCRIPTION	POSSIBLE SOLUTION
1	User Fault	Release joystick to neutral and try again.
2	Battery Fault	Charge the batteries. Refer to <u>Charging Batteries</u> on page 70. Check that battery cables are connected properly. Refer to <u>Connecting/Disconnecting Battery Cables</u> on page 67. If necessary, replace batteries. Refer to <u>Removing/Installing the Batteries</u> on page 65.
3	Left Motor Fault	Check the left motor, connections and cabling. If necessary, contact Invacare/Dealer for service.
4	Right Motor Fault	Check the right motor, connections and cabling. If necessary, contact Invacare/Dealer for service.
5	Left Park Brake Fault	Check the left park brake, connections and cabling. If necessary, contact Invacare/Dealer for service.
6	Right Park Brake Fault	Check the right park brake, connections and cabling. If necessary, contact Invacare/Dealer for service.
7	Remote Fault	Check to make sure joystick is connected properly. Contact Invacare/Dealer for service.
8	Controller Fault	Contact Invacare/Dealer for service.
9	Communications Fault	Contact Invacare/Dealer for service.
10	General Fault	Contact Invacare/Dealer for service.
11	Incompatible or incorrect Remote	Wrong type of remote connected. Contact Invacare/Dealer for service.

SECTION 7—WHEELCHAIR OPERATION

⚠ WARNING

After any adjustments, repair or service and before use, make sure that all attaching hardware is tightened securely - otherwise injury or damage may result.

Set-up of the Electronics Control Unit is to be performed only by a qualified technician. The final adjustments of the controller may affect other activities of the wheelchair. Damage to the equipment could occur if improperly set-up or adjusted.

Turning the Power On/Off

NOTE: For this procedure, refer to FIGURE 7.1.

1. To turn the power On by pressing the On/Off button.

NOTE: After turning power on, the battery gauge indicators will light briefly. One of the following will occur after that:

- The current battery charge will be indicated on the information gauge display.
 - Lock Mode will be indicated by all LEDs flashing briefly and the information gauge LEDs chasing slowly from right to left. If this occurs, press the horn button two times within ten seconds to unlock the joystick.
2. Turning the power Off can be achieved by pressing the On/Off button.

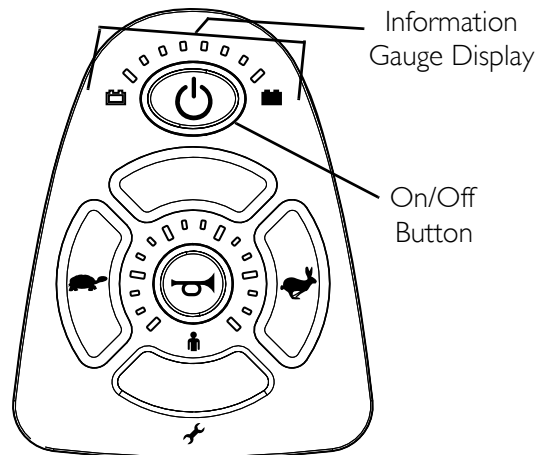


FIGURE 7.1 Turning the Power On/Off

NOTE: If the joystick has been programmed for lock mode, holding the On/Off button down for four seconds will lock the joystick. The LEDs will flash briefly and the horn will sound a short beep.

Using the Joystick to Drive the Wheelchair

NOTE: For this procedure, refer to FIGURE 7.2.

The joystick is located at the front of the joystick housing and provides smooth control of speed and direction. It is equipped with 360 degrees of mobility for ease of operation. The joystick is spring-loaded, and automatically returns to the upright (neutral) position when released. Pushing the joystick in a given direction causes the wheelchair to move in that direction.

The joystick has proportional drive control, meaning that the further it is pushed from the upright (neutral) position, the faster the wheelchair moves. The maximum speed, however, is limited by the speed control setting.

To slow the wheelchair to a stop, simply release the joystick. The wheelchair has automatic speed and direction compensation to minimize corrections.

When first learning to drive, select a slow speed and try to drive the wheelchair as slowly as possible by pushing the joystick slightly forward. This exercise will help you learn to utilize the full potential of the proportional control and allow you to start and stop smoothly.

To drive the wheelchair, perform the following:

1. Adjust the speed. Refer to [Speed Control Buttons](#) on page 39.
2. Turn the power on. Refer to [Turning the Power On/Off](#) on page 36.
3. Maneuver the joystick in the following manner:

MOVEMENT	ACTION
FORWARD	Push joystick forward, towards the front of the wheelchair.
REVERSE	Pull joystick back, towards the rear of the wheelchair.
Turn RIGHT	Move joystick toward the right side of the wheelchair.
Turn LEFT	Move joystick toward the left side of the wheelchair.
STOP	Release the joystick and the wheelchair will quickly slow down.

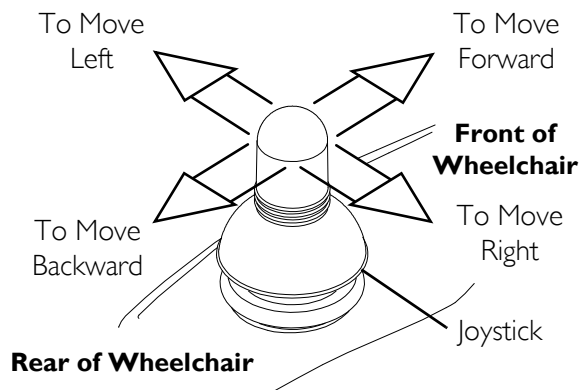


FIGURE 7.2 Using the Joystick to Drive the Wheelchair

NOTE: For specific information about the joystick installed on the wheelchair, refer to [SPJ™+ Joystick Switches and Indicators](#) on page 38.

SPJ™ + Joystick Switches and Indicators

NOTE: For the following information, refer to FIGURE 7.3.

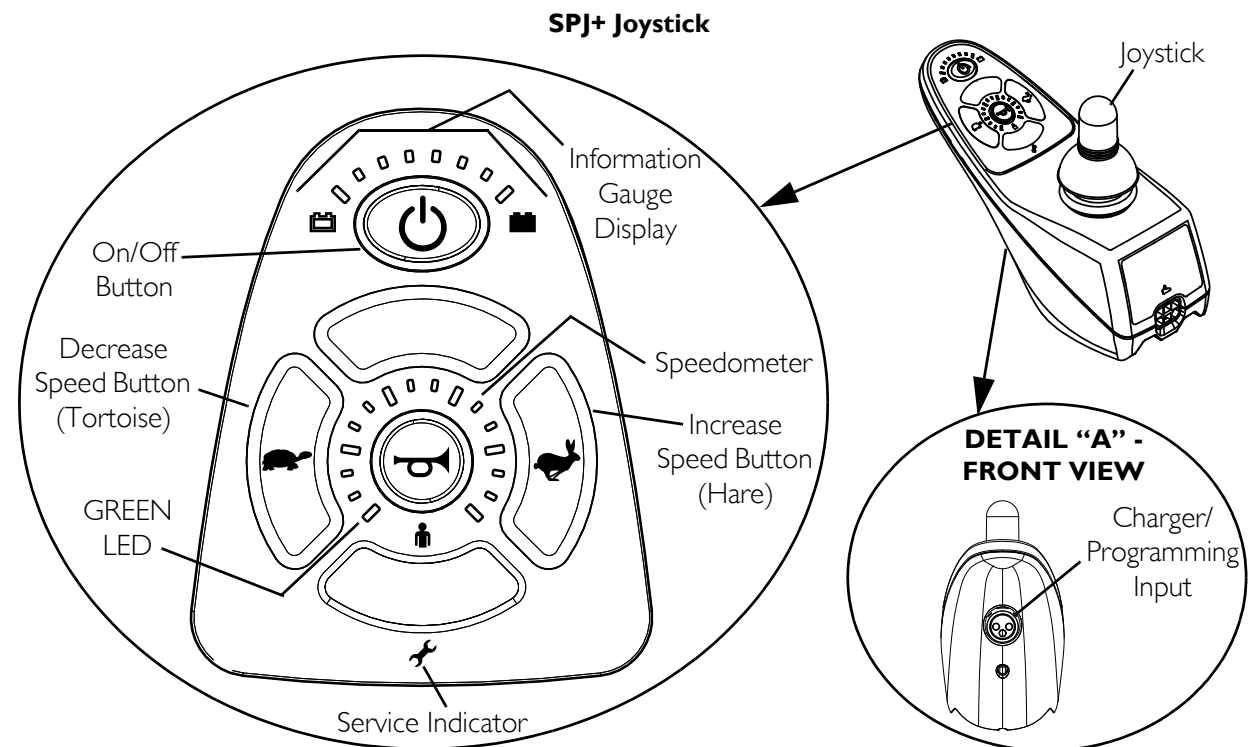


FIGURE 7.3 SPJ™ + Joystick Switches and Indicators

On/Off Button

This button is located at the front of the joystick housing. It is used to turn the wheelchair on and off, to remove the joystick from sleep mode (if programmed) and to lock or unlock the joystick (if programmed).

Speedometer

The speedometer is used to show the maximum speed. The right-most LED indicates current maximum speed setting.

Speed Control Buttons

The speed control buttons (tortoise button (🐢) and hare button (🐇)) are used to set and adjust the maximum speed.

1. To adjust the speed, perform one of the following:
 - Adjust Speed in 20% Increments (5 Speed Mode) - Press the tortoise button (🐢) or hare button (🐇) to decrease/increase the speed in 20% increments. The larger bars in the speedometer will light.
 - Adjust Speed in Smaller Increments (VSP Mode) - Perform the following steps:
 - i. Press and hold both the tortoise button (🐢) and hare button (🐇) until the joystick beeps.
 - ii. Perform one of the following:
 - Press the tortoise button (🐢) or hare button (🐇) to decrease/increase the speed in 20% increments. The larger bars in the speedometer will light.
 - Press and hold the tortoise button (🐢) or hare button (🐇) to decrease/increase the speed in smaller increments. The smaller bars in the speedometer will light.

Joystick

The joystick has proportional drive control, meaning that further the joystick is pushed from the upright (neutral) position, the faster the wheelchair moves. Your top speed, however, is limited by the programmed settings.

To slow the wheelchair to a stop, simply release the joystick. The wheelchair has automatic speed and direction compensation to minimize corrections.

Charger/Programming Input

The charger/programming input is located at the front of the joystick housing. This provides easy access for charging the wheelchair batteries. This port also serves as the Remote Programmer Communication connection. Driving is prevented while the system is charging.

Service Indicator

The AMBER service indicator will light when an error or fault occurs. Refer to Diagnostic Codes in Electronics manual 1110532 for a listing of the flash codes and what they indicate.

Information Gauge Display

Located on the front of the joystick housing, it provides the following information to the user on the status of the wheelchair -

1. Power is on.
2. True state-of-battery-charge, including notification of when the battery requires charging:
 - A. GREEN LEDs are lit, indicating well charged batteries.
 - B. AMBER LEDs are lit, indicating batteries are moderately charged. Recharge batteries before taking a long trip.
 - C. RED LEDs are lit, indicating batteries are running out of charge. Recharge batteries as soon as possible.

The Information Gauge display also serves as a system diagnostic device when a fault is detected by the control module. A specific number of flashes of the LEDs indicate the type of fault detected. Refer to Troubleshooting - Electrical on page 34 for the diagnostic indications of the wheelchair status.

SECTION 8—ARMS

⚠ WARNING

After any adjustments, repair or service and before use, make sure that all attaching hardware is tightened securely - otherwise injury or damage may result.

Before performing any maintenance, adjustment or service verify that On/Off switch on the joystick is in the Off position.

Removing/Installing the Arms

⚠ WARNING

Increasing the width of the arms may affect the overall width of the wheelchair. Ensure that there is enough clearance when attempting to pass through doorways or other tight spaces, otherwise serious injury or damage may result.

NOTE: For this procedure, refer to FIGURE 8.1.

NOTE: Reverse this procedure to install the arms.

1. Loosen lock knob that secures the arm to the arm support tube.
2. Remove the arm from the arm support tube.
3. If necessary, repeat STEPS 1-2 to remove the other arm.

NOTE: Semi-Recline Back seat shown. Fold Down Back seats removal/install the same way.

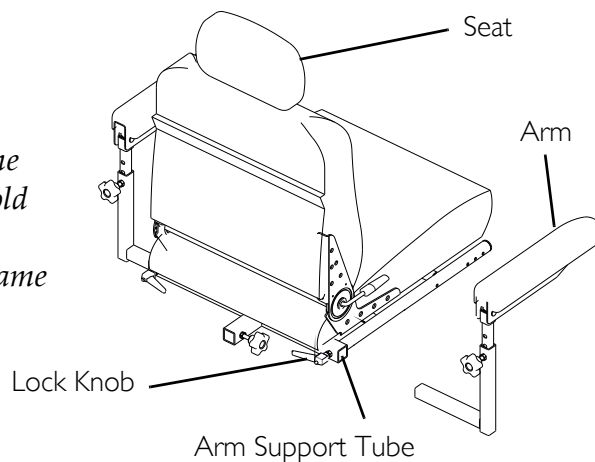


FIGURE 8.1 Removing/Installing the Arms

Adjusting the Arms

Adjusting Width

NOTE: For this procedure, refer to FIGURE 8.2.

1. Loosen the two lock knobs that secure the arms to the arm support tube.

NOTE: Both arms should be adjusted to the same distance away from the arm support tube.

NOTE: Changing the width of the arms may also affect the overall width of the wheelchair.

2. Reposition the arms until desired width is achieved.
3. Securely tighten the two lock knobs that secure the arms to the arm support tube.

*NOTE: Semi-Recline
Back seat shown. Fold
Down Back seats adjust
the same way.*

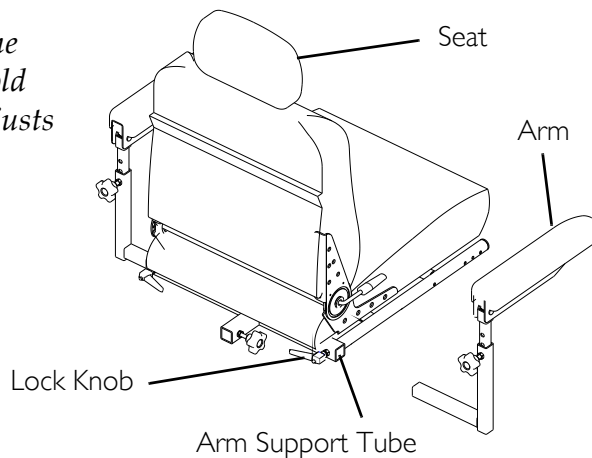


FIGURE 8.2 Adjusting Width

Adjusting Angle

⚠ WARNING

Pinch point may occur when adjusting the arm angle position.

NOTE: For this procedure, refer to FIGURE 8.3.

1. Lift up the arm pad.
2. Loosen the jam nut.
3. Adjust the socket screw up or down to the desired arm angle position.
4. Tighten the jam nut.
5. To determine the same angle for the opposite arm pad, count the exposed threads after the jam nut has been tightened.
6. Repeat STEPS 1-5 for opposite armrest, if necessary.

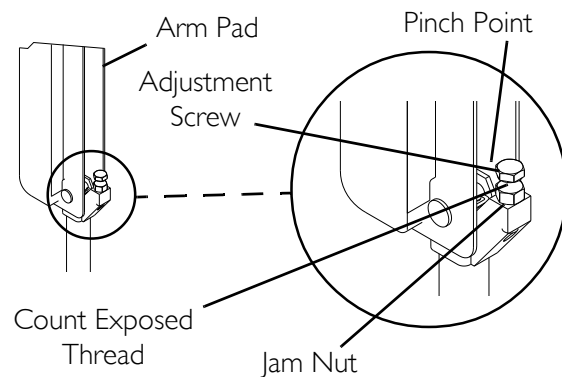


FIGURE 8.3 Adjusting Angle

Adjusting Height (Semi-Recline Seats Only)

NOTE: For this procedure, refer to FIGURE 8.4.

1. Remove the lock knob that secures the armrest to the arm frame assembly.
2. Adjust the armrest to one of five positions.
3. Reinstall the lock knob that secures the armrest to the arm frame assembly and tighten securely.

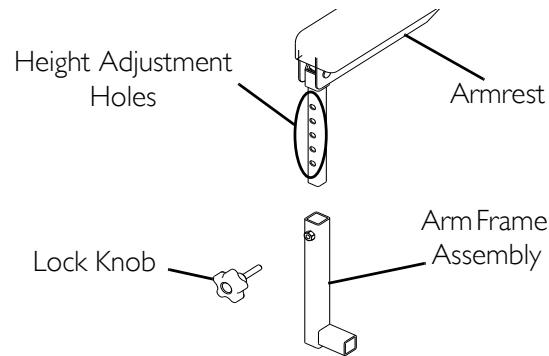


FIGURE 8.4 Adjusting Height (Semi-Recline Seats Only)

Adjusting Depth (Fold Down Back Seats Only)

NOTE: For this procedure, refer to FIGURE 8.5.

1. Remove the mounting screw and locknut that secure the arm adjusting bar to the arm pad.
2. Install the arm adjusting bar to the other depth adjustment hole on the arm pad with the mounting screw and locknut. Securely tighten.

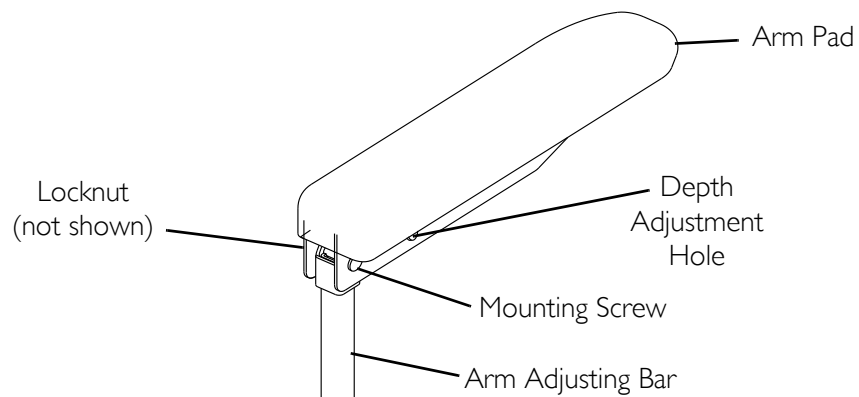


FIGURE 8.5 Adjusting Depth (Fold Down Back Seats Only)

SECTION 9—SEAT

⚠ WARNING

After any adjustments, repair or service and before use, make sure that all attaching hardware is tightened securely - otherwise injury or damage may result.

Before performing any maintenance, adjustment or service verify that On/Off switch on the joystick is in the Off position.

Removing/Installing the Seat Assembly

NOTE: For this procedure, refer to FIGURE 9.1.

Removing

1. Disconnect the joystick. Refer to Disconnecting/Connecting the Joystick on page 63.
2. Fold down the seat back.
3. Pull the seat lever up and lift the seat assembly up and away from the seat post.

Installing

1. Align the seat pivot with the seat post
2. Pull the seat lever up and lower the seat assembly on the seat post.

NOTE: If necessary, slightly twist seat assembly back and forth to lock it in place.

3. Release the seat lever.
4. Pull the seat assembly up to ensure that it is locked in place.
5. Connect the joystick. Refer to Disconnecting/Connecting the Joystick on page 63.

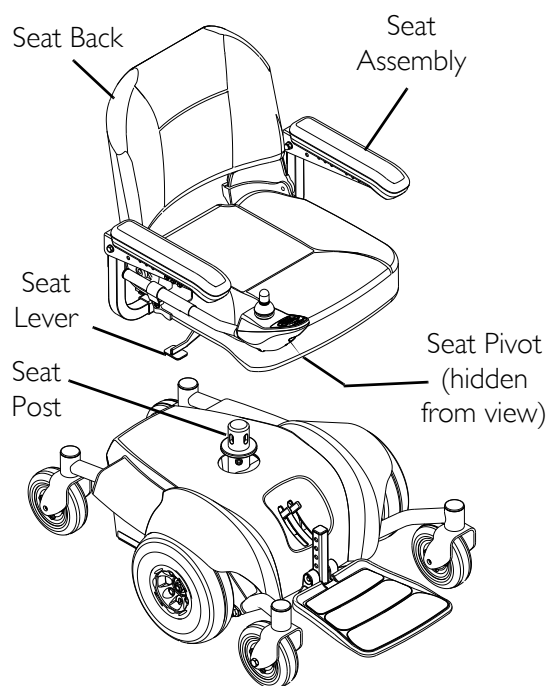


FIGURE 9.1 Removing/Installing the Seat Assembly

Adjusting the Back Angle (Semi-Recline Back)

NOTE: For this procedure, refer to FIGURE 9.2.

1. Lift up on the release handle and adjust seat to desired angle.
2. Let go of the release handle to lock the back in position.

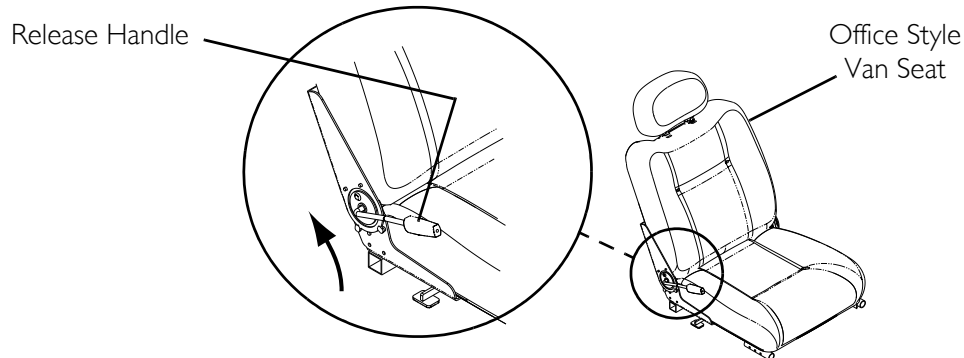


FIGURE 9.2 Adjusting the Back Angle (Semi-Recline Back)

Adjusting the Headrest

NOTE: For this procedure, refer to FIGURE 9.3.

1. To raise the headrest, lift the headrest up to the desired position.
2. To lower the headrest, push the release tab towards the front of the wheelchair. Lower the headrest to the desired position.

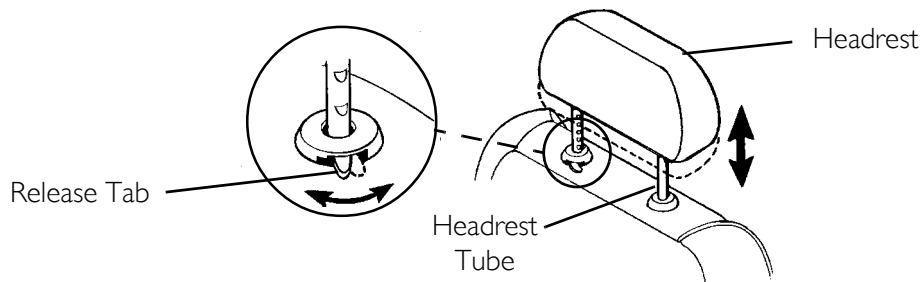


FIGURE 9.3 Adjusting the Headrest

Replacing the Seat Positioning Strap

⚠ WARNING

ALWAYS wear your seat positioning strap.

The seat positioning strap is a positioning belt only. It is not designed for use as a safety device withstanding high stress loads such as auto or aircraft safety belts. If signs of wear appear, belt **MUST** be replaced **IMMEDIATELY**.

NOTE: For this procedure, refer to FIGURE 9.4.

1. Remove the two mounting screws that secure the seat positioning straps to the seat frame.
2. Remove the two halves of the seat positioning strap from the rear seat frame.
3. Reposition the two new seat positioning strap halves underneath seat rails.
4. Reinstall the two mounting screws that secure the seat positioning straps to the seat frame. Securely tighten.

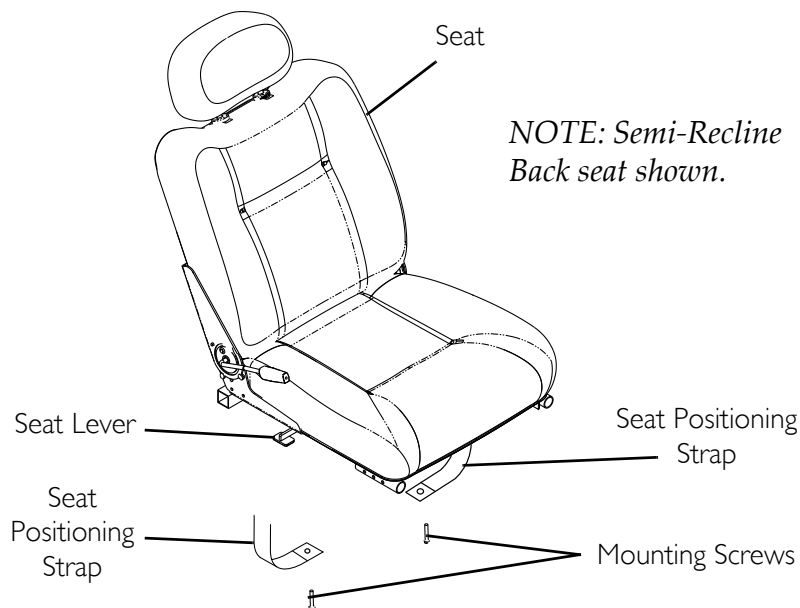


FIGURE 9.4 Replacing the Seat Positioning Strap

SECTION 10—FOOTBOARD ASSEMBLY

⚠ WARNING

After any adjustments, repair or service and before use, make sure that all attaching hardware is tightened securely - otherwise injury or damage may result.

Before performing any maintenance, adjustment or service verify that on/off switch on the joystick is in the off position.

DO NOT stand on the flip-up footboard. When getting in or out of the wheelchair, make sure that the flip-up footboard is in the upward position.

Limited Clearance Between Footboard and Caster - The user's feet MUST remain centered on the footboard, away from the footboard sides, while operating the wheelchair. If the user's feet are allowed to rest off the side of the footboard they may come in contact with the caster possibly resulting in injury.

Removing/Installing the Footboard Assembly

⚠ WARNING

Pinch point may occur when adjusting the footboard.

NOTE: For this procedure, refer to FIGURE 10.1 on page 48.

Removing

1. Remove the quick release pin that secures the footboard assembly to the wheelchair frame by depressing the button while sliding the pin out.
2. Remove the footboard assembly from the wheelchair frame.

Installing

⚠ WARNING

Make sure the detent balls of the quick-release pin are fully released beyond the outer edge of the tube before operating the wheelchair. Otherwise, injury and/or damage may result.

Keep detent balls clean.

1. Position the footboard assembly onto the wheelchair frame so that the mounting hole in the wheelchair frame aligns with the desired mounting hole in the footboard assembly.
 2. Install the quick release pin by depressing the button while sliding the pin in. Ensure that the detent balls are engaged with the outer edge of the tube (Detail "A" of FIGURE 10.1).
-

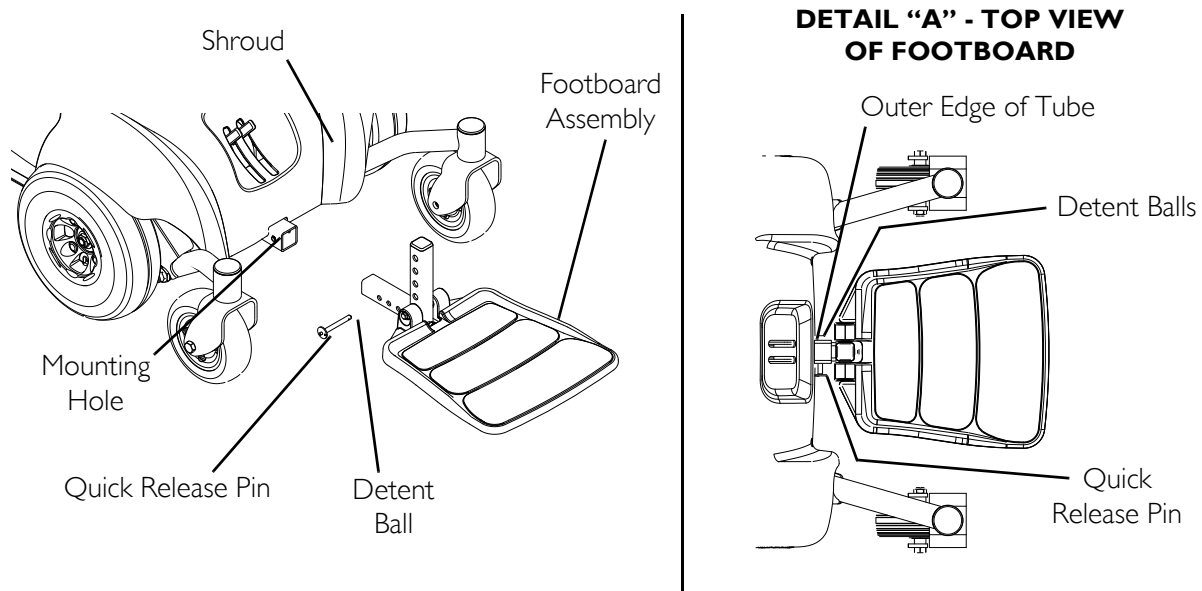


FIGURE 10.1 Removing/Installing the Footboard Assembly

Adjusting the Footboard Assembly

Angle

NOTE: For this procedure, refer to FIGURE 10.2.

1. Loosen the jam nut and set screw located underneath on the backside of the footplate.
2. Adjust the set screw in or out to obtain the desired footboard assembly angle.
3. Thread the jam nut and washer inward until it is flush with the footboard bracket.
4. Securely tighten the jam nut and washer to secure the mounting screw in place.

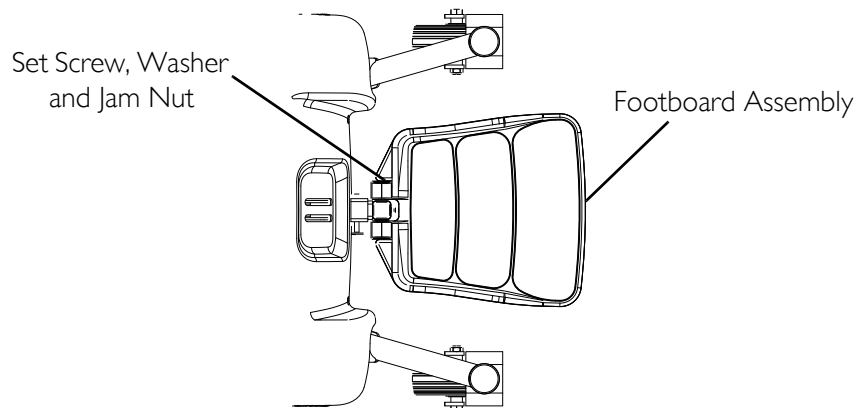


FIGURE 10.2 Adjusting the Footboard Assembly - Angle

Depth

NOTE: For this procedure, refer to FIGURE 10.3.

1. Remove the quick release pin that secures the footboard assembly to the wheelchair frame.

⚠ WARNING

Make sure the detent balls of the quick-release pin are fully released beyond the outer edge of the tube before operating the wheelchair. Otherwise, injury and/or damage may result.

Keep detent balls clean

2. Adjust footboard to one of three mounting positions.
3. Install the quick release pin. Make sure the detent balls are engaged with the outer edge of the tube (Detail "A" of FIGURE 10.3).

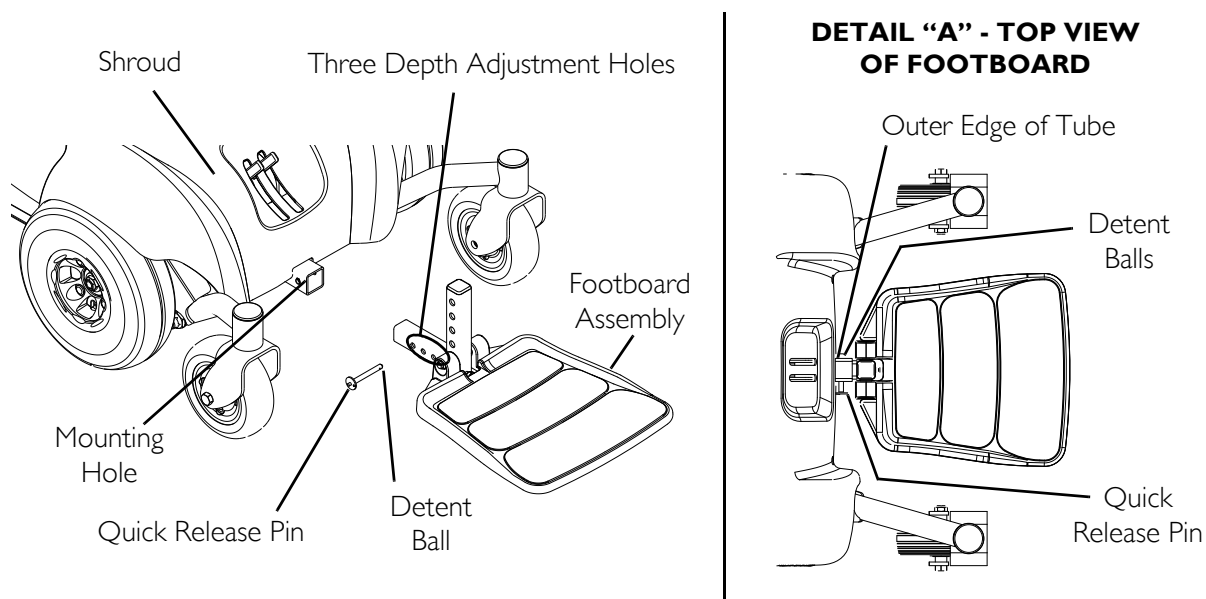


FIGURE 10.3 Adjusting the Footboard Assembly - Depth

Height

NOTE: For this procedure, refer to FIGURE 10.4.

1. Remove the quick release pin that secures the footboard assembly to the wheelchair frame.
2. Remove the mounting bolt, sleeve, and locknut that secures the footboard to footboard support bracket.
3. Align the footboard to one of the mounting holes on the footboard support bracket.
4. Secure the footboard to the footboard support bracket with the mounting bolt, sleeve and locknut. Securely tighten.

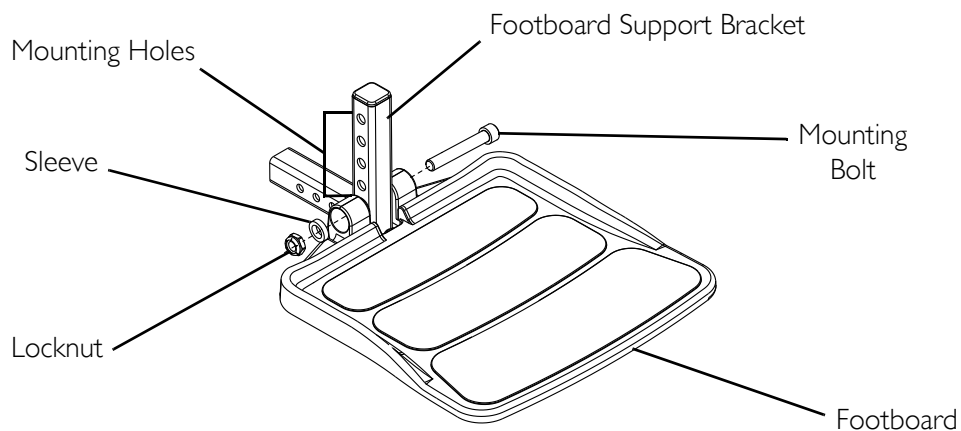


FIGURE 10.4 Adjusting the Footboard Assembly - Height

SECTION 11—FRONT RIGGINGS

⚠ WARNING

After any adjustments, repair or service and before use, make sure that all attaching hardware is tightened securely - otherwise injury or damage may result.

While the wheelchair is moving, minimum ground clearance for the front rigging is three inches. If the wheelchair is not moving, the front rigging **MUST** maintain a minimum of one inch ground clearance - otherwise personal injury and damage may result.

DO NOT stand on the front riggings, otherwise damage may occur. When getting in or out of the wheelchair, make sure that the footplates on the front riggings are in the upward position or moved out of the way.

Before performing any maintenance, adjustment or service verify that On/Off switch on the joystick is in the **Off** position.

Installing/Removing Front Riggings

CAUTION

If front riggings are used, then the seat **MUST** be adjusted to the highest mounting position - otherwise damage may occur.

NOTE: For this procedure, refer to FIGURE 11.1.

Installing

1. If necessary, remove the footboard. Refer to [Removing/Installing the Footboard Assembly](#) on page 47.
2. Turn front rigging to the side (open footplate is perpendicular to wheelchair) and position mounting holes in the front rigging hinge plates with hinge pins on the wheelchair frame.
3. Install the front rigging hinge plates onto the hinge pins on the wheelchair frame.
4. Push the front rigging towards the inside of the wheelchair until it locks into place.

NOTE: The footplate will be on the inside of the wheelchair when locked in place.

5. Repeat STEPS 1-4 for opposite side of wheelchair.

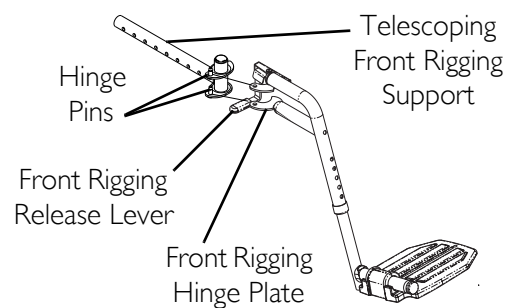


FIGURE 11.1 Installing/Removing Front Riggings

Removing

1. Push the front rigging release lever inward and rotate the footrest out.
2. Lift up on front rigging and remove from the wheelchair.
3. Repeat STEPS 1-2 for opposite side of wheelchair.

Adjusting Footrest Height

Model PHWH93

NOTE: For this procedure, refer to FIGURE 11.2.

1. Remove any accessories from the footrest(s).
2. Remove the footrest from the wheelchair. Refer to [Installing/Removing Front Riggings](#) on page 51.

NOTE: Lay footrest on a flat surface to simplify section.

3. Remove the hex bolt, coved washers and locknut that secure the lower footrest to the footrest support.
4. Reposition the lower footrest to the desired height.
5. Reinstall hex bolt, coved washers and locknut that secure lower footrest to footrest support. Tighten securely.
6. Repeat STEPS 1-5 for the opposite side of the wheelchair footrest, if necessary.
7. Reinstall the footrest(s) onto the wheelchair. Refer to [Installing/Removing Front Riggings](#) on page 51.
8. Reinstall any accessories onto the footrest(s).

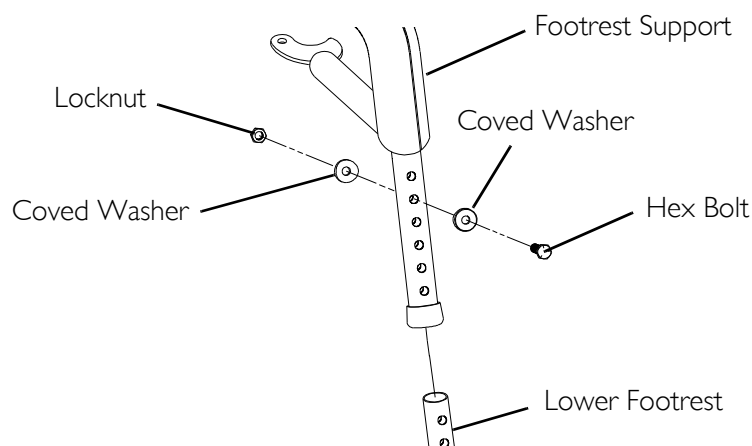


FIGURE 11.2 Adjusting Footrest Height - Model PHWH93

Model PH904A and PHAL4A

NOTE: For this procedure, refer to FIGURE 11.3.

NOTE: PH904A style front rigging shown. PHAL4A front rigging adjust the same way.

1. Loosen, but do not remove the lug bolt and locknut that secure the lower footrest to the footrest support.
2. Reposition the lower footrest to the desired height.
3. Securely tighten the lug bolt and locknut that secure the lower footrest to the footrest support.
4. Repeat STEPS 1-3 for the opposite side of the wheelchair footrest, if necessary.

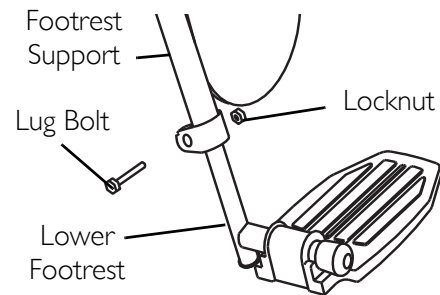


FIGURE 11.3 Adjusting Footrest Height - Model PH904A and PHAL4A

Replacing Heel Loops

NOTE: For this procedure, refer to FIGURE 11.4.

1. Note the position of hex bolt, covered washers and locknut for reinstallation.
2. Remove the hex bolt, covered washers and locknut that secure the lower footrest to the footrest support.
3. Remove the lower footrest.
4. Remove the Phillips® bolt, spacer and locknut that secure the existing heel loop to the lower footrest.
5. Slide the existing heel loop off the lower footrest.
6. Replace heel loop.
7. Reverse STEPS 1-6 to reassemble.

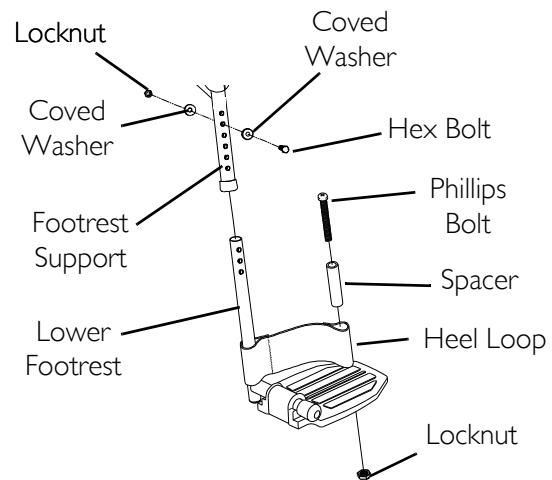


FIGURE 11.4 Replacing Heel Loops

NOTE: When securing heel loop to lower footrest, tighten the phillips screw and locknut until the spacer is secure.

Raising/Lowering Elevating Front Riggings

NOTE: For this procedure, refer to FIGURE 11.5.

1. Perform one of the following:
 - Raising - Pull back on the release lever and raise front rigging to the desired height.
 - Lowering - Support front rigging with one hand away from the release lever. Push release lever downward with other hand.

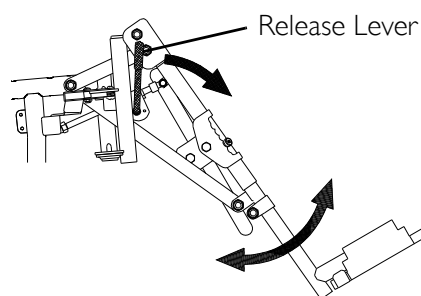


FIGURE 11.5 Raising/Lowering Elevating Front Riggings

Adjusting/Replacing Telescoping Front Rigging Supports

NOTE: For this procedure, refer to FIGURE 11.6 on page 55.

NOTE: When adjusting the telescoping front rigging support depth, ensure the footplate does not interfere with the caster wheel rotation.

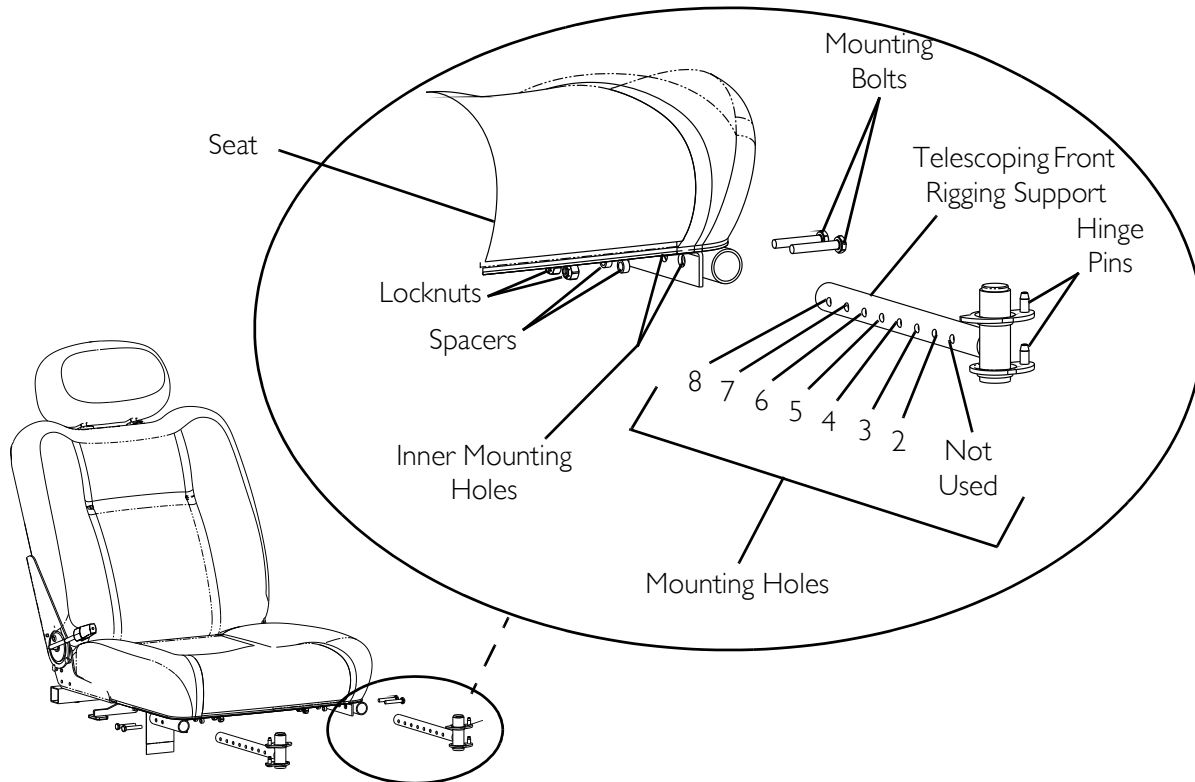
NOTE: Telescoping front rigging supports may be extended up to 2 inches from the wheelchair frame in 1-inch increments. This adjustment does not affect seat depth.

NOTE: When installing the front riggings support tubes, ensure that the hinge pins are on the outside of the chair facing away from the seat frame.

1. Remove the seat. Refer to [Removing/Installing the Seat Assembly](#) on page 44.
2. Remove the two socket bolts and locknuts that secure telescoping front rigging support to the seat frame.
3. Perform one of the following:
 - Adjusting - Align the appropriate mounting hole of the telescoping front rigging support with the front mounting hole in the seat frame tubes to achieve the desired depth as shown in FIGURE 11.6.
 - Replacing -
 - i. Remove the existing telescoping front rigging support from the wheelchair frame.
 - ii. Insert the new telescoping front rigging support into the seat frame.
 - iii. Align the appropriate mounting hole of the telescoping front rigging support with the front mounting hole in the seat frame tubes to achieve the desired depth as shown in FIGURE 11.6.

NOTE: The footplate will be on the inside of the wheelchair when locked in place.

4. Using the two socket bolts and locknuts, secure the telescoping front rigging support to the seat frame as shown in FIGURE 11.6.
5. If necessary, repeat STEPS 2-4 on remaining telescoping front rigging support.
6. Reinstall the seat. Refer to Removing/Installing the Seat Assembly on page 44.



FRONT RIGGING MODEL	STANDARD POSITION		1 INCH OUT		2 INCHES OUT	
	18 inches wide	20 inches wide	18 inches wide	20 inches wide	18 inches wide	20 inches wide
PHW93	Holes 4 and 5	Holes 4 and 5	Holes 5 and 6	Holes 5 and 6	Holes 6 and 7	Holes 6 and 7
PH904A and PHAL4A	Holes 3 and 4	Holes 3 and 4	Holes 4 and 5	Holes 4 and 5	Holes 5 and 6	Holes 5 and 6

FIGURE 11.6 Adjusting/Replacing Telescoping Front Rigging Supports

SECTION 12—SHROUD AND WHEELS

⚠ WARNING

After any adjustments, repair or service and before use, make sure that all attaching hardware is tightened securely - otherwise injury or damage may result.

Before performing any maintenance, adjustment or service verify that on/off switch on the joystick is in the off position.

Replacing the Flat Free Tires on the Wheel Rim

⚠ WARNING

DO NOT attempt to replace flat free tires. This procedure **MUST** be performed by a qualified technician.

NOTE: During initial use of the wheelchair, the user may experience flat spots on the wheels. Flat spots will vanish with continued use of the wheelchair.

Removing/Installing the Top Shroud

NOTE: For this procedure, refer to FIGURE 12.1 on page 57.

Removing

1. Remove the seat. Refer to Removing/Installing the Seat Assembly on page 44.
2. Remove the four mounting screws that secure the top shroud to the wheelchair frame.

Installing

1. Pull joystick cable through the center hole in the top shroud.
2. Position the top shroud onto the wheelchair frame.
3. Using the four mounting screws, secure the top shroud to the wheelchair frame.
4. Install the seat. Refer to Removing/Installing the Seat Assembly on page 44.

Removing/Installing the Rear Shroud

NOTE: For this procedure, refer to FIGURE 12.1.

Removing

1. Remove the two screws that secure the rear shroud to the frame.
2. Remove the rear shroud.

Installing

1. Insert the tabs at the bottom of the rear shroud into the slots in the bottom of the frame.
2. Secure the rear shroud to the frame using the two screws. **DO NOT** overtighten.

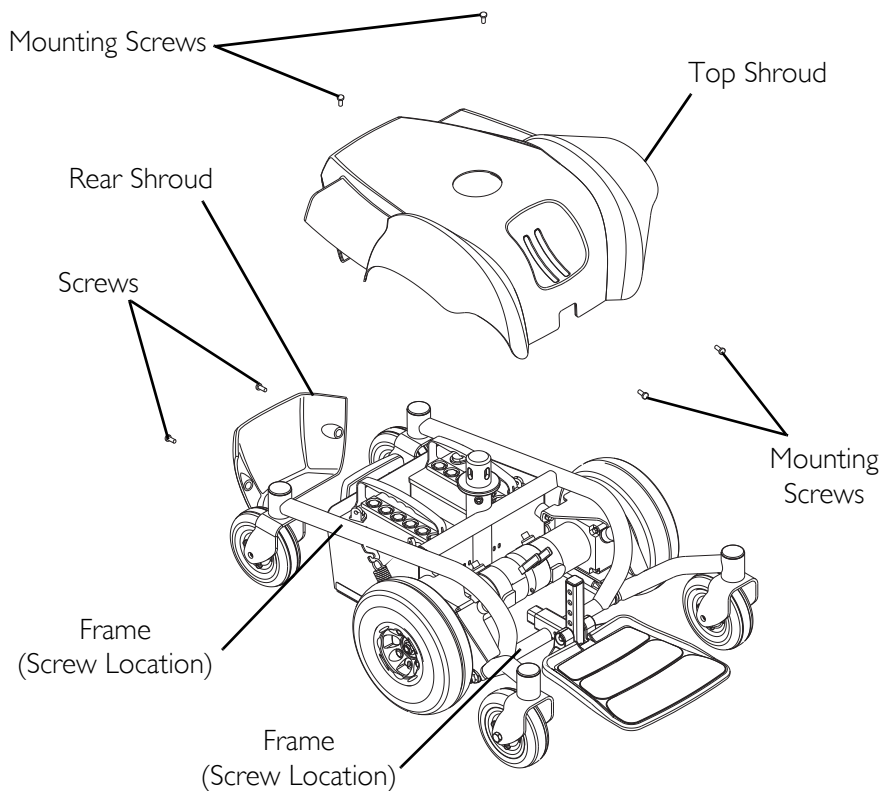


FIGURE 12.1 Removing/Installing the Top Shroud - Removing/Installing the Rear Shroud

Engaging/Disengaging Motor Release Lever

⚠ WARNING

DO NOT engage or disengage the motor release lever until the On/Off switch on the joystick is in the **Off** position.

CAUTION

Ensure both motor release levers are fully engaged before driving the wheelchair

NOTE: For this procedure, refer to FIGURE 12.2 on page 58.

NOTE: The motor lock disengagement/engagement allows freewheeling or joystick controlled operation. Freewheeling allows an attendant to maneuver the wheelchair without power.

1. Locate the motor release handles on the motors protruding through the shroud on the front of the wheelchair behind the footboard.
2. Perform one of the following:
 - To Disengage the Motor Release Levers - Push the motor lock lever down.

NOTE: This allows the wheelchair to freewheel for pushing, if necessary.

NOTE: It may be necessary to rock the wheels slightly until the motor release lever disengages.

- To Engage the Motor Release Levers - Pull the motor lock handles up.

NOTE: This allows the motors to drive the wheels.

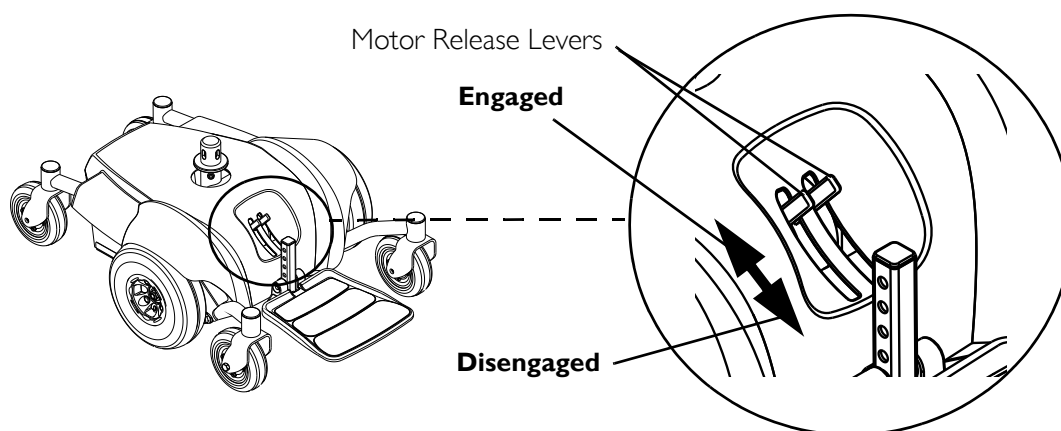


FIGURE 12.2 Engaging/Disengaging Motor Release Lever

Removing/Installing Casters

NOTE: For this procedure, refer to FIGURE 12.3.

NOTE: Front and rear casters are replaced in the same manner.

Periodically, the tires will need to be replaced due to wear or puncture.

Removing

1. Remove the mounting screw, two spacers and locknut that secure the existing caster to the fork.
2. Remove the existing caster from the fork.

Installing

1. Position the new/existing caster into the fork.
2. Reinstall the mounting screw, two spacers and locknut. Securely tighten.
3. Torque locknut to 10 ft-lbs (120 in-lbs).
4. Loosen the locknut 1/8 of a turn.
5. Move the caster side to side.

NOTE: If the caster moves side to side, tighten the locknut slightly. Repeat STEP 4 until there is no side to side movement of the caster.

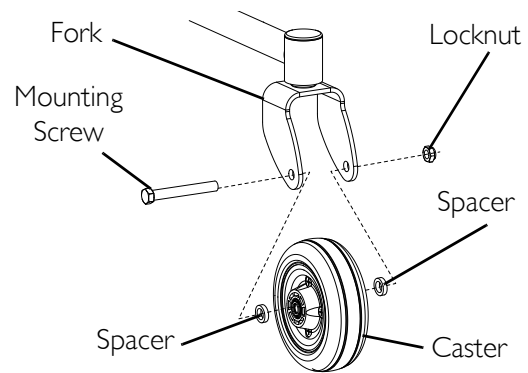


FIGURE 12.3 Removing/Installing Casters

Adjusting Forks

NOTE: For this procedure, refer to FIGURE 12.4.

1. Remove the headtube cap.
2. To properly tighten caster assembly and guard against flutter, perform the following check:
 - A. Tip back the wheelchair.
 - B. Pivot both forks and casters to top of their arc simultaneously.
 - C. Let casters drop to bottom of arc (casters should swing once to one-side, then immediately rest in a straight downward position).
 - D. Adjust locknut according to freedom of caster swing.
 - E. Test wheelchair for maneuverability.
 - F. Readjust locknut if necessary, and repeat STEPS 2-3 until correct.
 - G. Replace headtube cap.

NOTE: Components exploded for clarity. There is no need to remove the fork from the base frame.

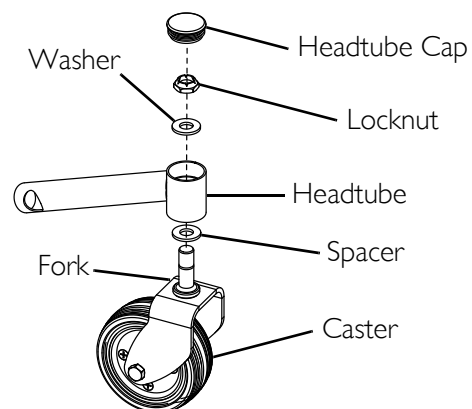


FIGURE 12.4 Adjusting Forks

Removing/Installing Forks and/or Caster Assemblies

NOTE: For this procedure, refer to FIGURE 12.4.

NOTE: Front and rear forks are replaced in the same manner.

Removing

1. Remove the caster from the fork if necessary. Refer to [Removing/Installing Casters](#) on page 58.
2. Remove the head tube cap.
3. Remove locknut, washer and spacer securing the fork to the headtube.

Installing

1. Insert threaded post of fork into headtube.

NOTE: Check the bearing assemblies. Replace if necessary.

2. Slide the fork completely into headtube.
3. Secure fork to headtube with locknut, washer, and spacer. Secure tightly.

⚠ WARNING

Improper positioning of the washer will prohibit the free movement of the forks which may result in injury to the occupant.

4. Install the caster onto the fork if removed. Refer to [Removing/Installing Casters](#) on page 58.
5. Install headtube cap.

Adjusting Anti-Dive Springs

⚠ WARNING

DO NOT attempt to replace or adjust the anti-dive springs. This procedure MUST be performed by a qualified technician.

NOTE: The anti-dive springs may be adjusted accordingly to users weight.

SECTION 13—ELECTRONICS

⚠ WARNING

After any adjustments, repair or service and before use, make sure that all attaching hardware is tightened securely - otherwise injury or damage may result.

Before performing any maintenance, adjustment or service verify that On/Off switch on the joystick is in the Off position.

Removing/Installing the Joystick

NOTE: For this procedure, refer to FIGURE 13.1.

Removing

1. Disconnect the joystick. Refer to Disconnecting/Connecting the Joystick on page 63.
2. Cut the tie-wraps that secure the joystick cable to the arm.
3. Loosen the adjustment lock lever to release the joystick mounting tube from the mounting bracket.
4. Remove the joystick and joystick mounting tube from the mounting bracket.

Installing

1. Slide joystick mounting tube through the mounting bracket to the desired position.
2. Tighten the adjustment lock lever to secure the joystick mounting tube to the mounting bracket on the other arm.
3. Tie-wrap the joystick cable to the arm (Detail "A").
4. Connect the joystick. Refer to Disconnecting/Connecting the Joystick on page 63.

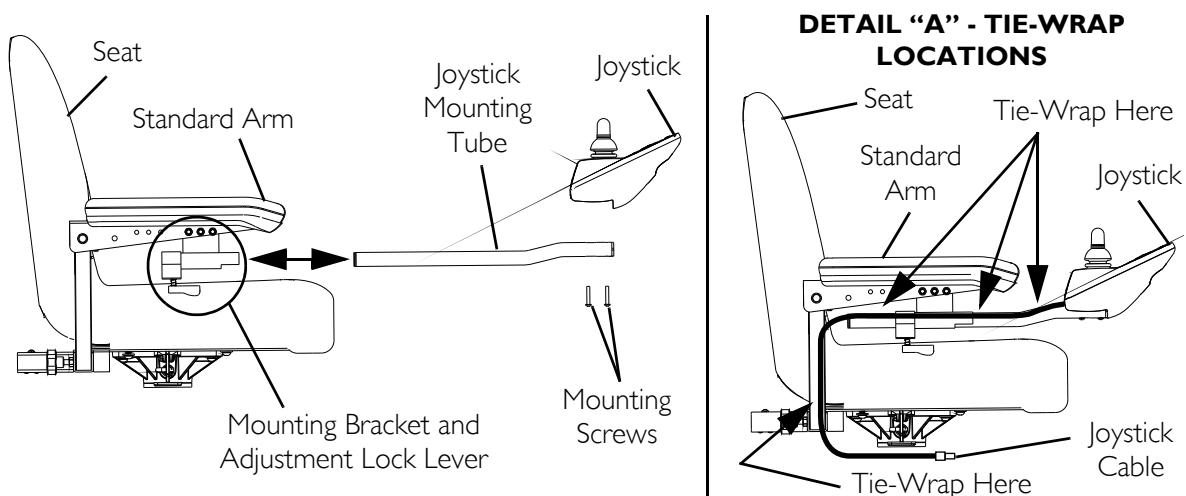


FIGURE 13.1 Removing/Installing the Joystick

Repositioning the Joystick

NOTE: For this procedure, refer to FIGURE 13.2.

NOTE: Take note of position and orientation of mounting hardware for reinstalling the joystick assembly.

1. Turn the adjustment lock lever to release the joystick mounting tube from the mounting bracket.
2. Remove the joystick from the wheelchair.
3. Remove the three hex mounting screws, spacers and locknuts that secure the mounting bracket to the three mounting holes on the arm frame.

NOTE: The mounting bracket is mounted to the inside of the arm frame.

4. Reposition the mounting bracket on the opposite arm frame.
5. Using the three hex mounting screws, spacers and locknuts secure the mounting bracket to the three mounting holes of the arm frame.
6. If necessary, perform the following to reposition the adjustment lock:
 - A. Slide the adjustment lock from the mounting bracket.
 - B. Rotate adjustment lock 180° and slide adjustment lock over the opposite end of the mounting bracket.
7. Slide joystick mounting tube through the mounting bracket to the desired position and secure adjustment lock to tube by turning lever on adjustment lock.

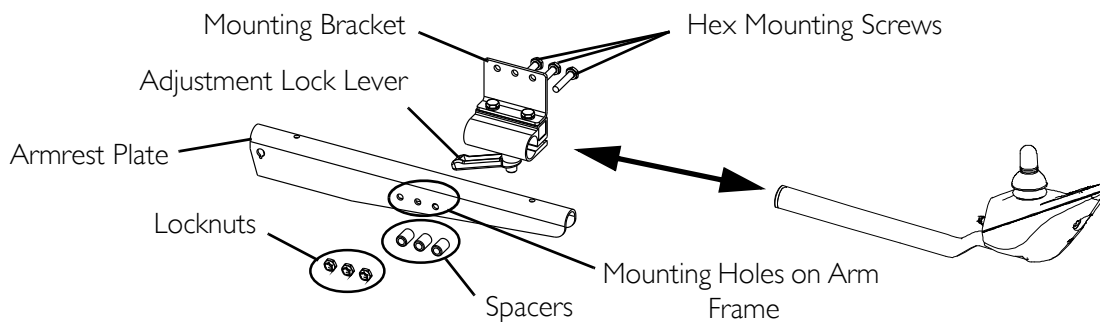


FIGURE 13.2 Repositioning the Joystick

Disconnecting/Connecting the Joystick

NOTE: For this procedure, refer to FIGURE 13.3.

Disconnecting

1. Hold the light GREY collar portion of the joystick connector with one hand and the controller connector on the wheelchair in the other and disconnect them by pulling them apart.

Connecting

⚠ WARNING

The joystick connector and controller connector fit together in one way only. DO NOT force them together.

1. Hold the light GREY collar portion of the joystick connector with one hand and the controller connector on the wheelchair in the other and align them.
2. Lightly push to engage the joystick connector and the controller connector.

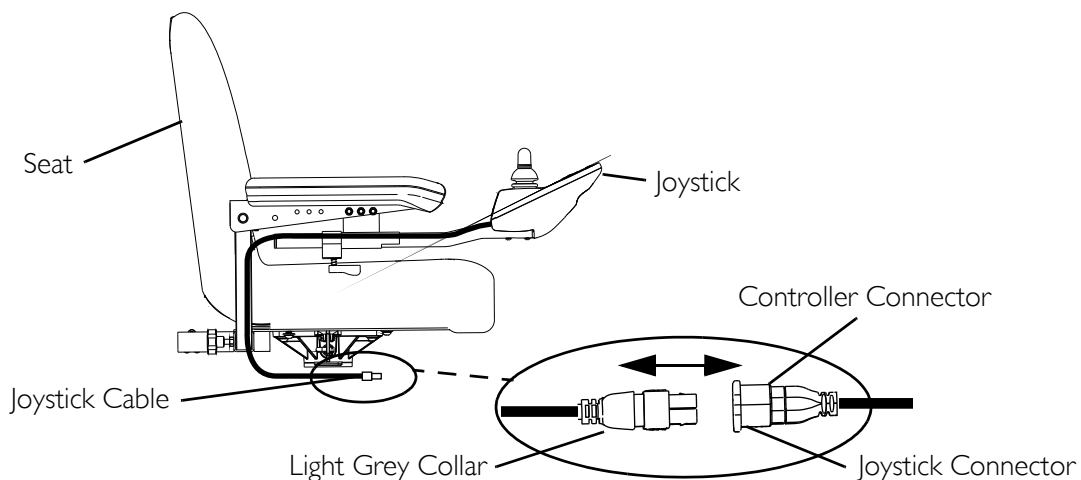


FIGURE 13.3 Disconnecting/Connecting the Joystick

SECTION 14—BATTERIES

Warnings For Handling and Replacing Batteries

DANGER

Risk of Death or Serious Injury

Failure to observe these warnings can cause an electrical short resulting in death, serious injury, or damage to the electrical system.

The **POSITIVE (+) RED** battery cable **MUST** connect to the **POSITIVE (+)** battery terminal(s)/post(s).

The **NEGATIVE (-) BLACK** battery cable **MUST** connect to the **NEGATIVE (-)** battery terminal(s)/post(s).

NEVER allow any of your tools and/or battery cable(s) to contact **BOTH** battery post(s) at the same time. An electrical short may occur and serious injury or damage may occur.

Install protective caps on positive and negative battery terminals.

Replace cable(s) immediately if cable(s) insulation becomes damaged.

DO NOT remove fuse or mounting hardware from **POSITIVE (+)** red battery cable mounting screw.

WARNING

After any adjustments, repair or service and before use, make sure that all attaching hardware is tightened securely - otherwise injury or damage may result.

Before performing any maintenance, adjustment or service verify that On/Off switch on the joystick is in the Off position.

Most batteries are not sold with instructions. However, warnings are frequently noted on the cell caps. Read them carefully, otherwise serious injury or damage may occur.

Invacare strongly recommends that battery installation and battery replacement **ALWAYS** be done by a qualified technician.

ALWAYS transport the battery pack/box in an upright and secure manner. To prevent damage, do not transport the battery pack/box with other objects that could suddenly shift during transportation, unless they are secured or in a different vehicle area. **DO NOT** transport battery pack/box with gas cans or similar containers in the same vehicle area.

DO NOT tip the batteries. Keep the batteries in an upright position.

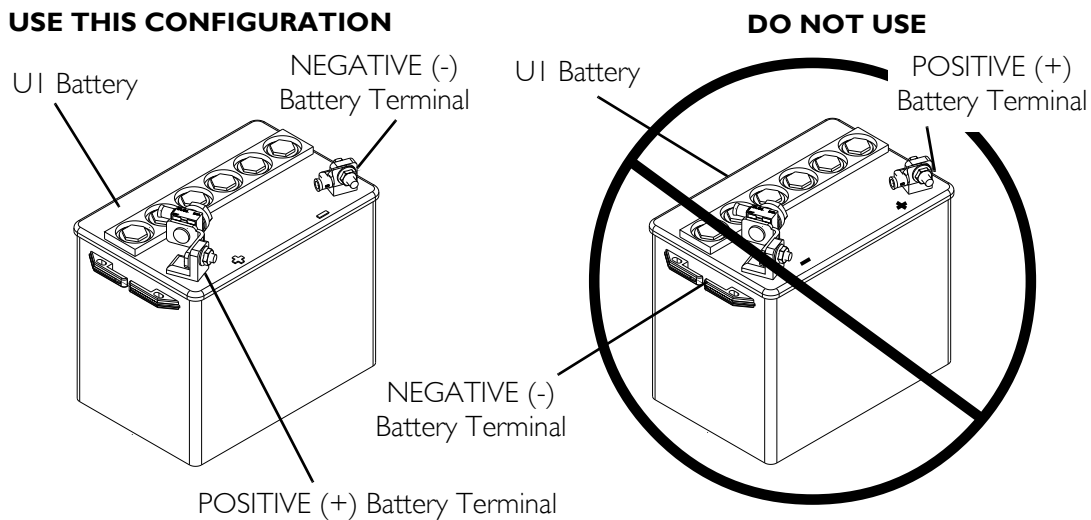
NOTE: If there is battery acid in the bottom of the battery tray or on the sides of the battery(ies), apply baking soda to these areas to neutralize the battery acid. Before reinstalling the existing or new battery(ies), clean the baking soda from the battery tray or battery(ies) being sure to avoid contact with skin and eyes. Determine source of contamination. Never install/reinstall a battery with a cracked or otherwise damaged case.

Using the Proper Batteries

1. Place battery on ground/flat surface.
2. Visually draw a horizontal and vertical centerline through the middle of battery.
3. Position the battery so that the terminals are above the horizontal centerline.
4. Visually inspect the battery to ensure the correct position of the POSITIVE and NEGATIVE terminals.

⚠ WARNING

Batteries with terminal configuration as shown below **MUST be used. Batteries that have the reverse terminal configuration **MUST NOT** be used - otherwise injury and damage may occur.**



NOTE: Recommended battery type is spill proof and requires no maintenance except routine charging.

NOTE: Charge batteries daily. DO NOT allow batteries to completely discharge. To charge batteries, refer to [Charging Batteries](#) on page 70.

NOTE: Inoacare recommends that both batteries be replaced if one battery is defective.

Removing/Installing the Batteries

NOTE: For this procedure, refer to [FIGURE 14.1](#) on page 67.

⚠ WARNING

Install protective caps on POSITIVE (+) and NEGATIVE (-) terminals.

All battery terminal covers (two on the right battery and two on the left battery) **MUST be installed prior to use.**

Removing

1. Disconnect the joystick. Refer to Disconnecting/Connecting the Joystick on page 63.
2. Remove the seat. Refer to Removing/Installing the Seat Assembly on page 44.
3. Remove the top shroud. Refer to Removing/Installing the Top Shroud on page 56.
4. Disconnect the right battery from the controller (BLACK connector).
5. Disconnect the left battery from the right battery (RED and BLACK connectors).
6. Lift left and right battery out of the battery tray using the battery handles.

Installing

1. Verify the joystick On/Off switch is in the Off position and disconnect joystick cable. Refer to Disconnecting/Connecting the Joystick on page 63.
2. Position the right battery in the battery tray.
3. Position left battery in the battery tray.

NOTE: Ensure that both batteries are properly seated and resting on the battery tray.

4. Connect the left battery to the right battery (RED and BLACK connectors).
5. Connect the right battery to the controller (BLACK connector).
6. Install the top shroud. Refer to Removing/Installing the Top Shroud on page 56.
7. Install the seat. Refer to Removing/Installing the Seat Assembly on page 44.
8. Connect the joystick cable. Refer to Disconnecting/Connecting the Joystick on page 63.

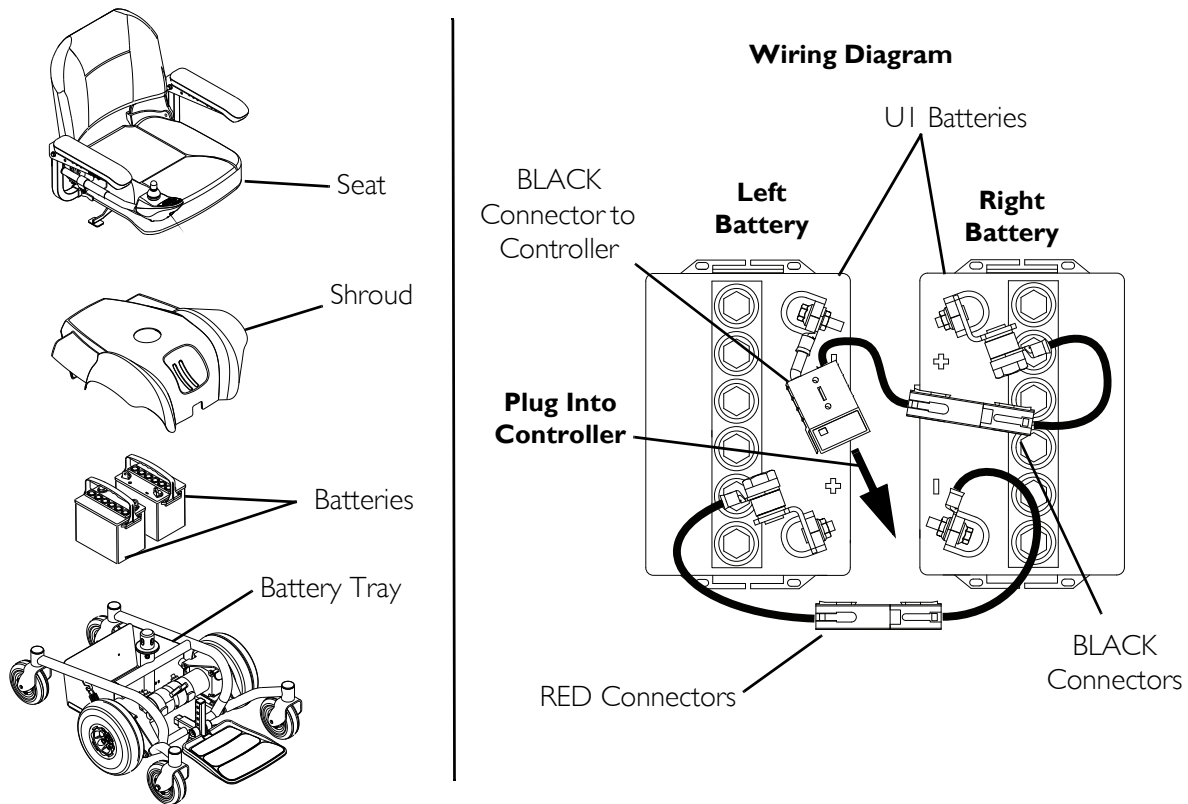


FIGURE 14.1 Removing/Installing the Batteries

Connecting/Disconnecting Battery Cables

Connecting Battery Cables

⚠ WARNING

NEVER allow any of your tools and/or battery cable(s) to contact both battery terminal(s)/post(s) at the same time. An electrical short may occur and serious personal injury or damage may occur.

The use of rubber gloves is recommended when working with batteries.

⚠ WARNING

DO NOT remove fuse or mounting hardware from **POSITIVE (+) RED** battery cable/mounting screw.

Battery terminal configuration as shown in Detail “A” of **FIGURE 14.2** **MUST** be used. Batteries that have the terminal configuration reversed **MUST NOT** be used - otherwise serious injury or damage may occur.

Install protective caps on **POSITIVE (+)** and **NEGATIVE (-)** terminals.

All battery terminal covers (two on the front battery and two on the rear battery) **MUST** be installed prior to use.

CAUTION

When connecting the battery cables to the batteries, the battery cables **MUST be connected to the battery terminals/posts, as shown in Detail “A” of FIGURE 14.2 (depending on battery type), otherwise damage to the battery cable may result when installing battery terminal caps.**

NOTE: For this procedure, refer to FIGURE 14.3 and FIGURE 14.2 on page 69.

1. Connect battery cables to batteries terminals/posts (FIGURE 14.2):
 - A. NEGATIVE (-) BLACK battery cable to NEGATIVE (-) battery terminal/post.
 - B. POSITIVE (+) RED battery cable to POSITIVE (+) battery terminal/post.
2. Secure the battery cables/ring terminals to the battery terminals/posts, BLACK to NEGATIVE (-) and RED to POSITIVE (+), with the provided 1/4-20 x 5/8-inch hex flange screw and hex flange locknut. Securely tighten (Detail “A” of FIGURE 14.2).
3. Verify all battery cables/ring terminals are correctly installed and securely tightened.
4. Slide terminal caps down battery cables and onto battery clamps (FIGURE 14.2).

5. Secure each terminal cap in place with a tie-wrap (use tie-wraps 11-1/2-inches long) (Detail “B” of FIGURE 14.2).
6. Position the batteries into the wheelchair. Refer to Removing/Installing the Batteries on page 65.

NOTE: New Battery(ies) MUST be fully charged before using, otherwise the life of the battery(ies) will be reduced.

7. If necessary, charge the batteries. Refer to Charging Batteries on page 70.

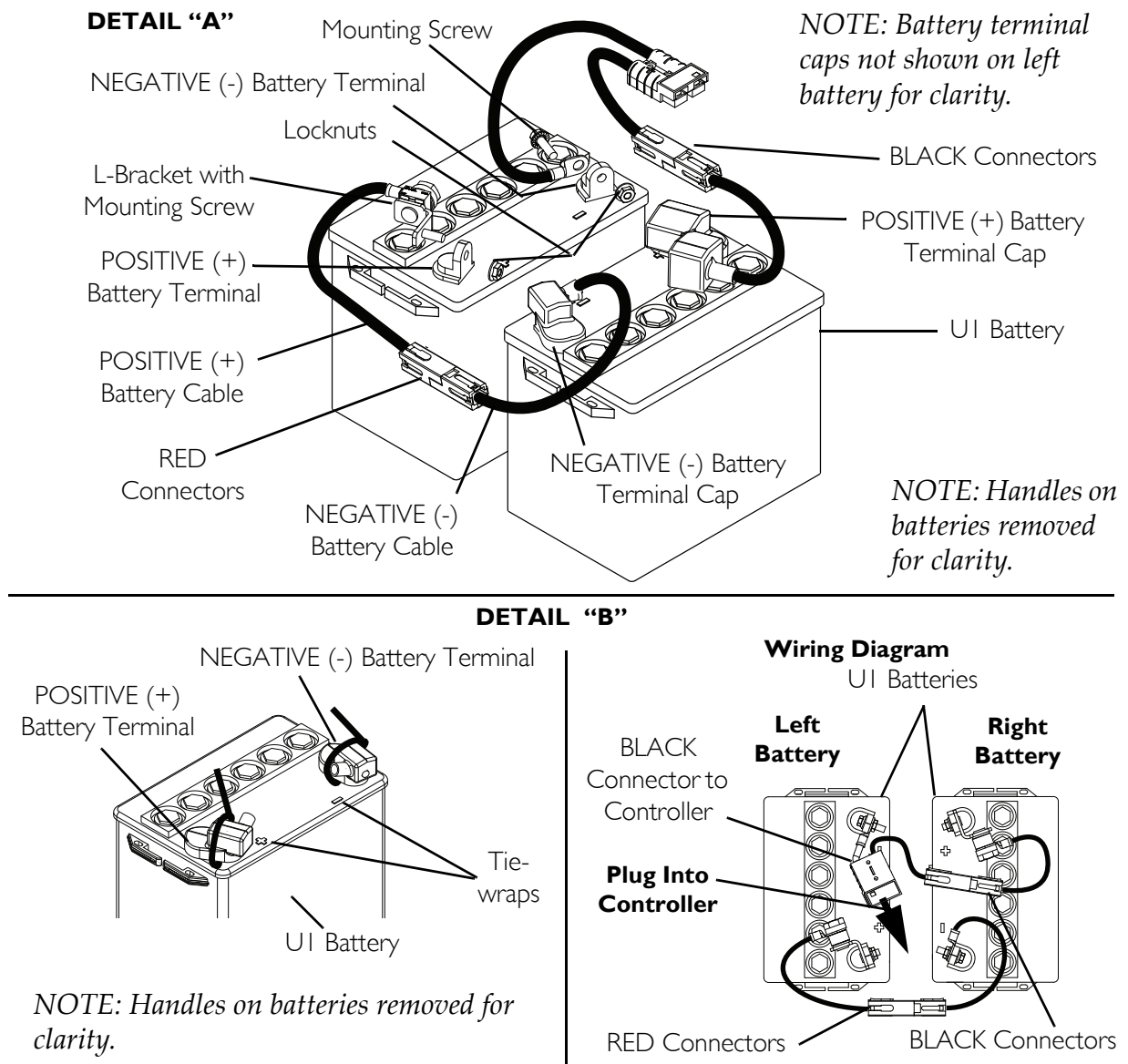


FIGURE 14.2 Connecting/Disconnecting Battery Cables

Disconnecting Battery Cables

⚠ WARNING

The use of rubber gloves is recommended when working with batteries.

NEVER allow any of your tools and/or battery cable(s) to contact **BOTH** battery terminal(s)/post(s) at the same time. An electrical short may occur and serious personal injury or damage may occur.

NOTE: For this procedure, refer to FIGURE 14.2 on page 69 and FIGURE 14.3 on page 70.

1. Remove the seat. Refer to Removing/Installing the Seat Assembly on page 44.
2. Remove the batteries. Refer to Removing/Installing the Batteries on page 65.
3. Cut the tie-wrap that secures the battery terminal cap in place (Detail “B” of FIGURE 14.2).
4. Slide terminal cap(s) UP on the battery cable(s) (FIGURE 14.3).
5. Disconnect POSITIVE (+) RED battery cable from the POSITIVE (+) battery terminal/post (FIGURE 14.2).
6. Disconnect NEGATIVE (-) BLACK battery cable from NEGATIVE (-) battery terminal/post (FIGURE 14.2).

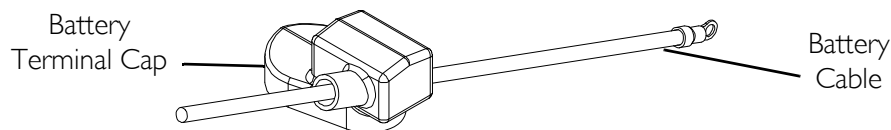


FIGURE 14.3 Battery Terminal Caps

Charging Batteries

⚠ WARNING

NEVER attempt to recharge the batteries by attaching cables directly to the battery terminals.

DO NOT attempt to recharge the batteries and operate the wheelchair at the same time.

DO NOT attempt to recharge the batteries when the wheelchair has been exposed to any type of moisture.

DO NOT attempt to recharge the batteries when the wheelchair is outside.

DO NOT sit in the wheelchair while recharging the batteries.

Read and carefully follow the individual instructions for each charger (supplied or purchased). If charging instructions are not supplied, consult a qualified technician for proper procedures.

CAUTION

New batteries **MUST** be fully charged prior to initial use of the wheelchair.

ALWAYS charge new batteries before initial use or battery life will be reduced.

As a general rule, you should recharge your batteries as frequently as possible to assure the longest possible life and to minimize required charging time. Plan to recharge them when you do not anticipate using the wheelchair.

Basic concepts which will help you understand this automatic process are:

The amount of electrical current drawn within a given time to charge a battery is called “charge rate”. If, due to usage, the charge stored in the battery is low, the charge rate is high. As a charge builds up, the charge rate is reduced, and the battery charger rate decreases to a “trickle charge”.

NOTE: If the batteries need to be charged more often or take longer to charge than normal, they may need to be replaced. Contact a qualified technician.

NOTE: The batteries can be charged by plugging an independent battery charger into the port located on the front of the joystick.

Battery Charger Operation

WARNING

Read and carefully follow the manufacturer’s instructions for each charger (supplied or purchased). If charging instructions are not supplied, consult a qualified technician for proper procedures.

NEVER leave the charger unattended when the charger circuit breaker is tripping.

Use of improper extension cord could result in risk of fire and electric shock.

Read and carefully follow the individual instructions for each charger (supplied or purchased). If charging instructions are not supplied, consult a qualified technician for proper procedures.

CAUTION

Only use a charger approved by Invacare when charging through the joystick on this wheelchair model.

DO NOT use an independent charger with an output rating of over 8A (Amps). Otherwise, damage may occur.

NOTE: For this procedure, refer to FIGURE 14.4 on page 72.

NOTE: The charger port located on the front of the joystick requires the use of an independent charger.

1. Attach the battery charger connector to the charger port on the front of the joystick.
2. Plug the charger's AC power cord or extension into the grounded 110-volt wall outlet.
3. When charging is complete, turn charger off.
4. Disconnect output cable from charger port.

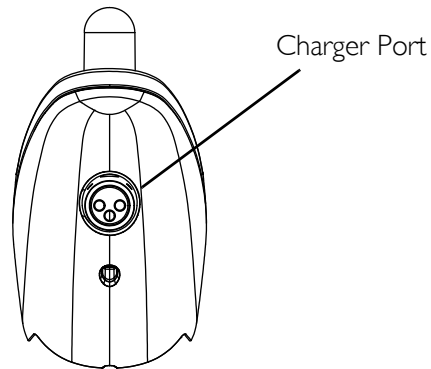


FIGURE 14.4 Battery Charger Operation

SECTION 15—ACCESSORIES

⚠ WARNING

After any adjustments, repair or service and before use, make sure that all attaching hardware is tightened securely - otherwise injury or damage may result.

Before performing any maintenance, adjustment or service verify that on/off switch on the joystick is in the off position.

Installing/Removing the Crutch/Cane Holder

⚠ WARNING

The installation of the crutch/cane holder onto the back of the seat significantly increases the length of the wheelchair. When turning the wheelchair or swiveling the wheelchair seat, it is important to take note of this increased length - otherwise, injury and/or damage to the surrounding property may result.

NOTE: For this procedure, refer to FIGURE 15.1.

NOTE: The Crutch/Cane Holder, Oxygen Holder, and Walker Holder all install into the accessory tube. Only one of these may be installed at a time.

NOTE: To remove, reverse the following procedure.

Installing

1. If necessary, loosen but do not remove the mounting knob.
2. Install the crutch/cane holder into the accessory tube located on the back of the seat.
3. Thread the mounting knob into the welded nut on the accessory tube. Securely tighten.
4. Align slot on base with hook on crutch/cane holder and slide base down into position.

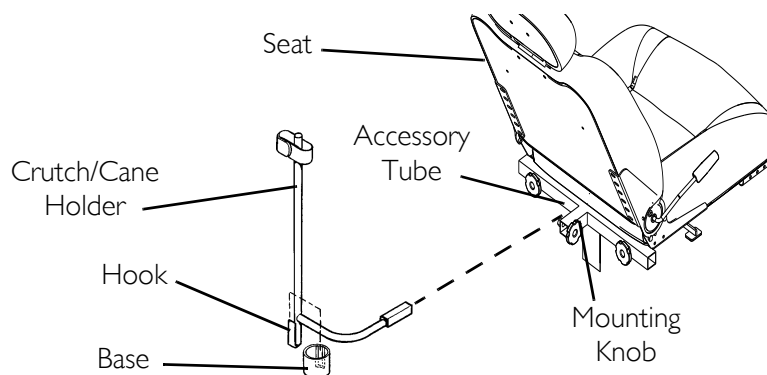


FIGURE 15.1 Installing/Removing the Crutch/Cane Holder

Installing/Removing the Oxygen Holder

⚠ WARNING

Contact your oxygen supplier for instructions in the use of oxygen. Extreme care **MUST** be exercised when using oxygen in close proximity to electric circuits.

The Invacare oxygen holder is designed to be used in conjunction with oxygen cylinder models MD15 and ME24 only.

To maintain safety, use only Invacare oxygen cylinder accessories (i.e. regulator, oxygen demand devices).

DO NOT use the oxygen holder for anything other than its intended purpose of supporting an oxygen cylinder - otherwise, injury or damage may occur.

DO NOT attempt to modify the oxygen holder to fit any other type of wheelchair. The oxygen holder was designed specifically for Invacare wheelchairs only.

The installation of the oxygen holder onto the back of the wheelchair seat significantly increases the length of the wheelchair. When turning the wheelchair it is important to take note of this increased length - otherwise, injury or damage may occur.

When using nasal or masked type administering equipment, oxygen or air tubing **MUST** be routed and secured properly to ensure that the tubing does not become entangled, kinked or severed. If necessary, loosen but **DO NOT** remove the mounting knob.

NOTE: For this procedure, refer to FIGURE 15.2 on page 75.

NOTE: Reverse the following procedure to remove the oxygen holder.

NOTE: The Crutch/Cane Holder, Oxygen Holder, and Walker Holder all install into the accessory tube. Only one of these may be installed at a time.

1. Install the mounting tube of the oxygen holder into the accessory tube located on the back of the seat.
2. Position the appropriate fastener into the welded nut on the accessory tube.
3. Grip the mounting hand knob firmly, and securely tighten it.
4. Thread the two clamp knobs through the two welded nuts on the upper support of the oxygen holder, and position the two protective caps on the end of the clamp knobs.
5. Repeat STEP 4 for the two clamp knobs on the lower support of the oxygen holder.

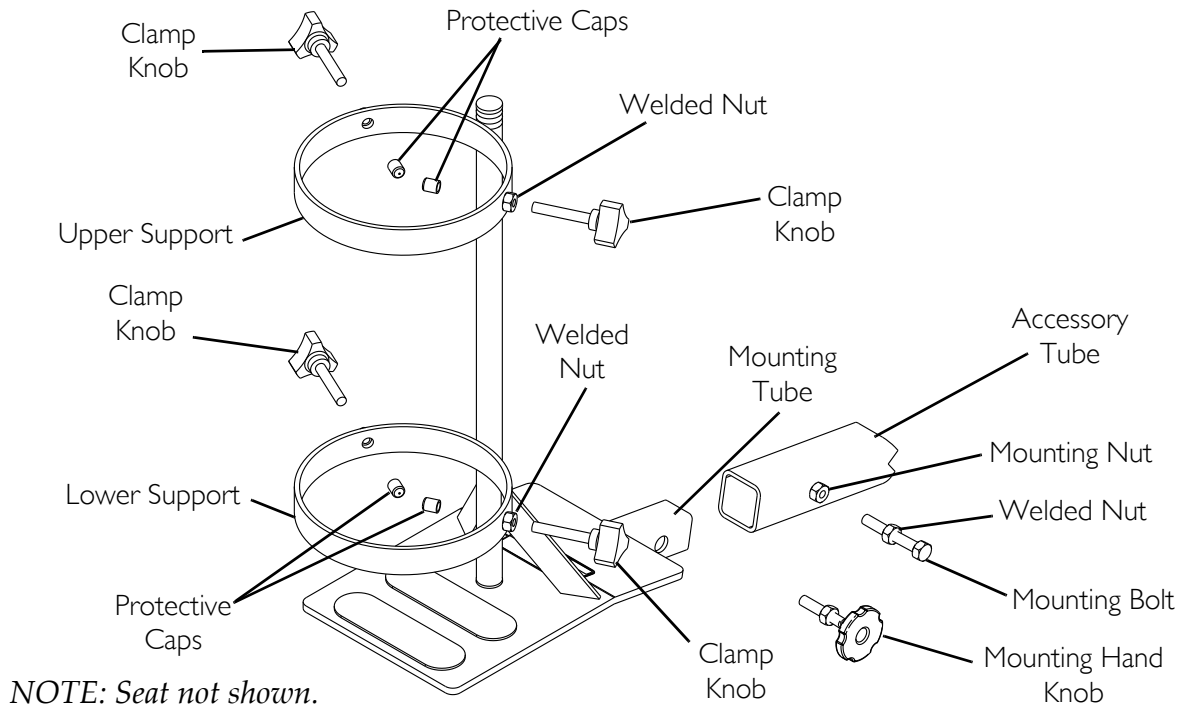


FIGURE 15.2 Installing/Removing the Oxygen Holder

Installing/Removing/Using the Walker Holder

⚠ INSTALLATION WARNINGS

After any adjustments, repair or service and before use, make sure that all attaching hardware is tightened securely.

The installation of the walker holder onto the back of the wheelchair seat increases the length of the wheelchair up to nine inches. When turning the wheelchair it is important to take note of this increased length - otherwise, injury and/or damage to surrounding property may result.

NOTE: For this procedure, refer to FIGURE 15.3 on page 76.

Installing/Removing the Walker Holder

NOTE: Reverse this procedure to remove the walker holder.

NOTE: The Crutch/Cane Holder, Oxygen Holder, and Walker Holder all install into the accessory tube. Only one of these may be installed at a time.

1. If necessary, loosen but do not remove the mounting knob.
2. Install the walker holder into the accessory tube.
3. Thread the mounting knob into the welded nut on the accessory tube. Securely tighten.

Using the Walker Holder

1. Fold walker. Refer to instructions provided with the walker.

NOTE: Walker MUST be folded before using walker holder.

2. Hang folded walker on walker holder hooks.
3. Secure walker with hook and loop straps.

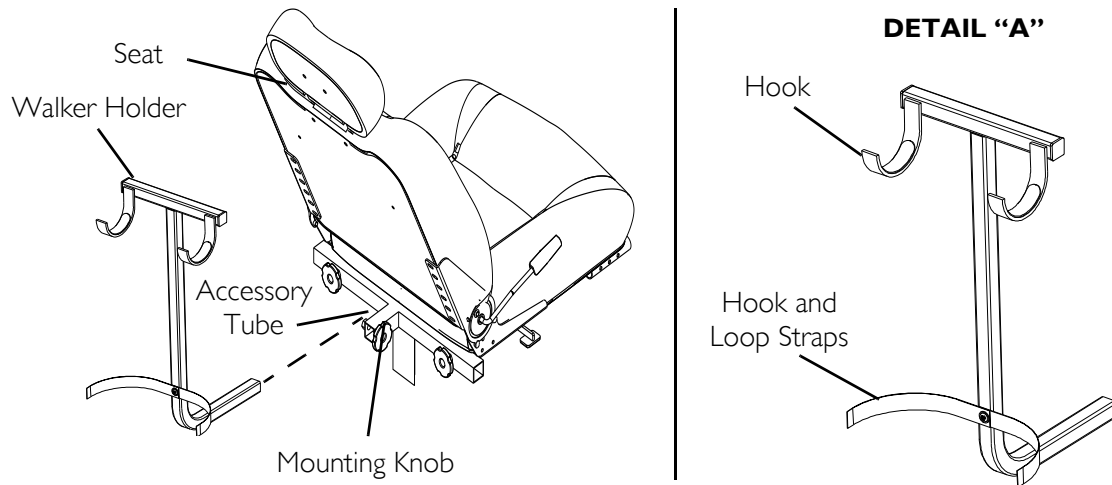


FIGURE 15.3 Installing/Removing/Using the Walker Holder

SECTION 16—WEAR AND TEAR INFORMATION

General Information

Normal wear and tear items and components include but are not limited to: all upholstery items including seat and back upholstery, arm and calf pads, cushions, wheels, tires and casters, all types of batteries, joystick overlays and inductive rubberized protective boots.

Invacare reserves the right to ask for any item back that has an alleged defect in workmanship. Refer to the Warranty section in this manual for specific warranty information.

Refer to the Inspection Checklists in this manual for proper preventative maintenance schedule.

This is just a general guideline and does not include items damaged due to abuse and misuse.

PRODUCT TYPE	PRODUCT WEAR AND TEAR
Wheelchairs	Wheels, Brake Assembly, Hand Grips
Scooters	Wheels, Braking System, Armrest, Seat
Mobility Hardware and Electronics	Rubber Urethane Tires and Casters, Handgrips, Joystick Inductive Tops, Joystick Overlays, Motors and Gearboxes (if exposed to prolonged moisture, urine, etc.), Stability Lock
Upholstery and Seating	Arm pads, Seat Cushion Foam, Seat Cushion Covers, Back Cushion Foam, Back Cushion Covers, Headrest Foam, Headrest Covers, Footplate Covers, Calf Pad (if applicable)Foam and Cover
Batteries	Lead acid/Lithium, Coin cell (watch type), Gel (6 months)

NOTES

GLOBAL LIMITED WARRANTY (EXCLUDING CANADA)

PLEASE NOTE: THE WARRANTY BELOW HAS BEEN DRAFTED TO COMPLY WITH FEDERAL LAW APPLICABLE TO PRODUCTS MANUFACTURED AFTER JULY 4, 1975.

This warranty is extended only to the original purchaser who purchases this product within any country excluding **CANADA** when new and unused from Invacare or a dealer. This warranty is not extended to any other person or entity and is not transferable or assignable to any subsequent purchaser or owner. Coverage under this warranty will end upon any such subsequent sale or other transfer of title to any other person. For product purchased in Canada, please refer to the Canada Limited Warranty.

This warranty gives you specific legal rights and you may also have other legal rights which vary from state to state. Invacare warrants the base frame to be free from defects in materials and workmanship for a period of five (5) years from the date of purchase from Invacare or a dealer, with a copy of the seller's invoice required for coverage under this warranty. Invacare warrants the seat frame to be free from defects in materials and workmanship for a period of three (3) years from the date of purchase from Invacare or a dealer, with a copy of the seller's invoice required for coverage under this warranty. Invacare warrants all electronics and electrical components (excluding batteries), motors and gearboxes to be free from defects in materials and workmanship for a period of one (1) year from the date of purchase from Invacare or a dealer, with a copy of the seller's invoice required for coverage under this warranty. Invacare warrants all batteries to be free from defects in materials and workmanship for a period of six (6) months from the date of purchase from Invacare or a dealer, with a copy of the seller's invoice required for coverage under this warranty. Invacare warrants all remaining components (excluding all upholstered materials, padded materials, tires and wheels) to be free from defects in materials and workmanship for a period of one (1) year from the date of purchase from Invacare or a dealer, with a copy of the seller's invoice required for coverage under this warranty. If within such warranty periods any such product component shall be proven to be defective, the product component shall be repaired or replaced, at Invacare's option. This warranty does not include any labor or shipping charges incurred in replacement part installation or repair of any such product. Invacare's sole obligation and your exclusive remedy under this warranty shall be limited to such repair and/or replacement.

For warranty service, please contact the dealer from whom you purchased your Invacare product. In the event you do not receive satisfactory warranty service, please write directly to Invacare at the address on the bottom of the back cover. Provide dealer's name address, date of purchase, indicate nature of the defect and, if the product is serialized, indicate the serial number. Do not return products to our factory without our prior consent.

LIMITATIONS AND EXCLUSIONS: THE FOREGOING WARRANTY SHALL NOT APPLY TO SERIAL NUMBERED PRODUCTS IF THE SERIAL NUMBER HAS BEEN REMOVED OR DEFACTED, PRODUCTS SUBJECT TO NEGLIGENCE, ACCIDENT, IMPROPER OPERATION, MAINTENANCE OR STORAGE, COMMERCIAL OR INSTITUTIONAL USE, PRODUCTS MODIFIED WITHOUT INVACARE'S EXPRESS WRITTEN CONSENT (INCLUDING, BUT NOT LIMITED TO, MODIFICATION THROUGH THE USE OF UNAUTHORIZED PARTS OR ATTACHMENTS); PRODUCTS DAMAGED BY REASON OF REPAIRS MADE TO ANY COMPONENT WITHOUT THE SPECIFIC CONSENT OF INVACARE, OR TO A PRODUCT DAMAGED BY CIRCUMSTANCES BEYOND INVACARE'S CONTROL, AND SUCH EVALUATION WILL BE SOLELY DETERMINED BY INVACARE. THE WARRANTY SHALL NOT APPLY TO PROBLEMS ARISING FROM NORMAL WEAR AND TEAR OR FAILURE TO ADHERE TO THE PRODUCT INSTRUCTIONS. A CHANGE IN OPERATING NOISE, PARTICULARLY RELATIVE TO MOTORS AND GEARBOXES DOES NOT CONSTITUTE A FAILURE OR DEFECT AND WILL NOT BE REPAIRED; ALL DEVICES WILL EXHIBIT CHANGES IN OPERATING NOISE DUE TO AGING.

THE FOREGOING EXPRESS WARRANTY IS EXCLUSIVE AND IN LIEU OF ANY OTHER WARRANTIES WHATSOEVER, WHETHER EXPRESS OR IMPLIED, INCLUDING THE IMPLIED WARRANTIES OF MERCHANTABILITY AND FITNESS FOR A PARTICULAR PURPOSE, AND THE SOLE REMEDY FOR VIOLATIONS OF ANY WARRANTY WHATSOEVER, SHALL BE LIMITED TO REPAIR OR REPLACEMENT OF THE DEFECTIVE PRODUCT PURSUANT TO THE TERMS CONTAINED HEREIN. THE APPLICATION OF ANY IMPLIED WARRANTY WHATSOEVER SHALL NOT EXTEND BEYOND THE DURATION OF THE EXPRESS WARRANTY PROVIDED HEREIN AND INVACARE SHALL NOT BE LIABLE FOR ANY CONSEQUENTIAL OR INCIDENTAL DAMAGES WHATSOEVER; SOME STATES DO NOT ALLOW THE EXCLUSION OR LIMITATION OF INCIDENTAL OR CONSEQUENTIAL DAMAGE, OR LIMITATION OF HOW LONG AN IMPLIED WARRANTY LASTS, SO THE ABOVE EXCLUSION AND LIMITATION MAY NOT BE APPLICABLE.

THIS WARRANTY SHALL BE EXTENDED TO COMPLY WITH STATE/PROVINCIAL LAWS AND REQUIREMENTS.

CANADA LIMITED WARRANTY

PLEASE NOTE: THE WARRANTY BELOW HAS BEEN DRAFTED TO COMPLY WITH FEDERAL LAW APPLICABLE TO PRODUCTS MANUFACTURED AFTER JULY 4, 1975.

This warranty is extended only to the original purchaser who purchases this product within Canada when new and unused from Invacare or a dealer. This warranty is not extended to any other person or entity and is not transferable or assignable to any subsequent purchaser or owner. Coverage under this warranty will end upon any such subsequent sale or other transfer of title to any other person.

This warranty gives you specific legal rights and you may also have other legal rights which vary from state to state. Invacare warrants the base frame to be free from defects in materials and workmanship for a period of five (5) years from the date of purchase from Invacare or a dealer, with a copy of the seller's invoice required for coverage under this warranty. Invacare warrants the seat frame to be free from defects in materials and workmanship for a period of three (3) years from the date of purchase from Invacare or a dealer, with a copy of the seller's invoice required for coverage under this warranty. Invacare warrants all electronics and electrical components (excluding batteries), motors and gearboxes to be free from defects in materials and workmanship for a period of two (2) years from the date of purchase from Invacare or a dealer, with a copy of the seller's invoice required for coverage under this warranty. Invacare warrants all batteries to be free from defects in materials and workmanship for a period of six (6) months from the date of purchase from Invacare or a dealer, with a copy of the seller's invoice required for coverage under this warranty. Invacare warrants all remaining components (excluding all upholstered materials, padded materials, tires and wheels) to be free from defects in materials and workmanship for a period of one (1) year from the date of purchase from Invacare or a dealer, with a copy of the seller's invoice required for coverage under this warranty. If within such warranty periods any such product component shall be proven to be defective, the product component shall be repaired or replaced, at Invacare's option. This warranty does not include any labor or shipping charges incurred in replacement part installation or repair of any such product. Invacare's sole obligation and your exclusive remedy under this warranty shall be limited to such repair and/or replacement.

For warranty service, please contact the dealer from whom you purchased your Invacare product. In the event you do not receive satisfactory warranty service, please write directly to Invacare at the address on the bottom of the back cover. Provide dealer's name address, date of purchase, indicate nature of the defect and, if the product is serialized, indicate the serial number. Do not return products to our factory without our prior consent.

LIMITATIONS AND EXCLUSIONS: THE FOREGOING WARRANTY SHALL NOT APPLY TO SERIAL NUMBERED PRODUCTS IF THE SERIAL NUMBER HAS BEEN REMOVED OR DEFACED, PRODUCTS SUBJECT TO NEGLIGENCE, ACCIDENT, IMPROPER OPERATION, MAINTENANCE OR STORAGE, COMMERCIAL OR INSTITUTIONAL USE, PRODUCTS MODIFIED WITHOUT INVACARE'S EXPRESS WRITTEN CONSENT (INCLUDING, BUT NOT LIMITED TO, MODIFICATION THROUGH THE USE OF UNAUTHORIZED PARTS OR ATTACHMENTS); PRODUCTS DAMAGED BY REASON OF REPAIRS MADE TO ANY COMPONENT WITHOUT THE SPECIFIC CONSENT OF INVACARE, OR TO A PRODUCT DAMAGED BY CIRCUMSTANCES BEYOND INVACARE'S CONTROL, AND SUCH EVALUATION WILL BE SOLELY DETERMINED BY INVACARE. THE WARRANTY SHALL NOT APPLY TO PROBLEMS ARISING FROM NORMAL WEAR AND TEAR OR FAILURE TO ADHERE TO THE PRODUCT INSTRUCTIONS. A CHANGE IN OPERATING NOISE, PARTICULARLY RELATIVE TO MOTORS AND GEARBOXES DOES NOT CONSTITUTE A FAILURE OR DEFECT AND WILL NOT BE REPAIRED; ALL DEVICES WILL EXHIBIT CHANGES IN OPERATING NOISE DUE TO AGING.

THE FOREGOING EXPRESS WARRANTY IS EXCLUSIVE AND IN LIEU OF ANY OTHER WARRANTIES WHATSOEVER, WHETHER EXPRESS OR IMPLIED, INCLUDING THE IMPLIED WARRANTIES OF MERCHANTABILITY AND FITNESS FOR A PARTICULAR PURPOSE, AND THE SOLE REMEDY FOR VIOLATIONS OF ANY WARRANTY WHATSOEVER, SHALL BE LIMITED TO REPAIR OR REPLACEMENT OF THE DEFECTIVE PRODUCT PURSUANT TO THE TERMS CONTAINED HEREIN. THE APPLICATION OF ANY IMPLIED WARRANTY WHATSOEVER SHALL NOT EXTEND BEYOND THE DURATION OF THE EXPRESS WARRANTY PROVIDED HEREIN AND INVACARE SHALL NOT BE LIABLE FOR ANY CONSEQUENTIAL OR INCIDENTAL DAMAGES WHATSOEVER; SOME STATES DO NOT ALLOW THE EXCLUSION OR LIMITATION OF INCIDENTAL OR CONSEQUENTIAL DAMAGE, OR LIMITATION OF HOW LONG AN IMPLIED WARRANTY LASTS, SO THE ABOVE EXCLUSION AND LIMITATION MAY NOT BE APPLICABLE.

THIS WARRANTY SHALL BE EXTENDED TO COMPLY WITH STATE/PROVINCIAL LAWS AND REQUIREMENTS.

Invacare Corporation www.invacare.com



Yes, you can.

USA
One Invacare Way
Elyria, Ohio USA
44036-2125
800-333-6900

Canada
570 Matheson Blvd E Unit
8
Mississauga Ontario
L4Z 4G4 Canada
800-668-5324

All rights reserved. Trademarks are identified by the symbols [™] and [®]. All trademarks are owned by or licensed to Invacare Corporation or its subsidiaries unless otherwise noted. Phillips is a registered trademark of the Phillips Screw Company.
© 2016 Invacare Corporation

Making Life's Experiences Possible™



Part No. 1143206

Rev H-05 - 4/16

