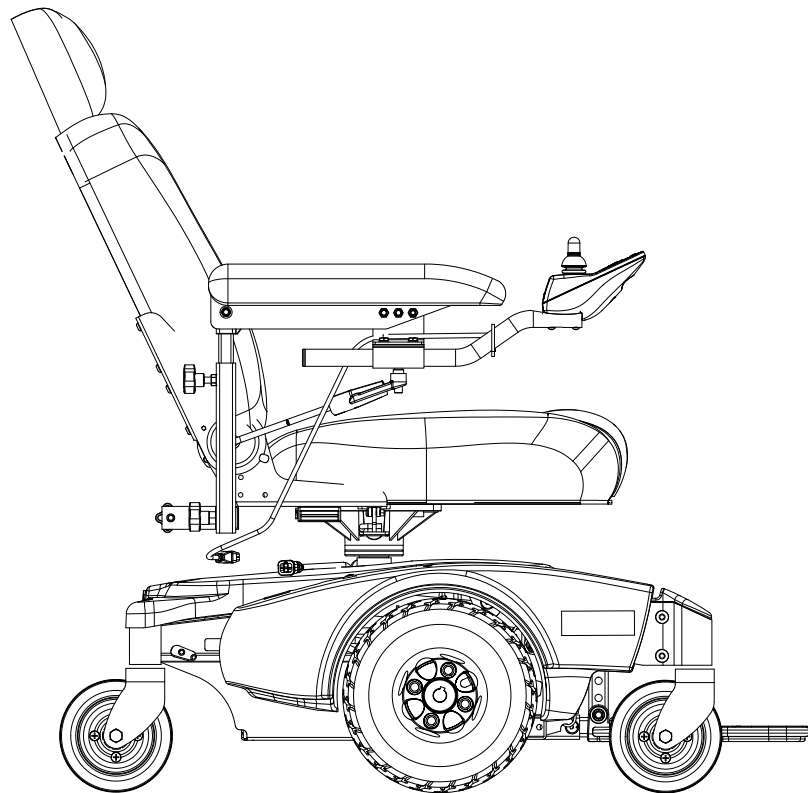


Pronto[®] M5 I[™] and M6 I[™] with SureStep[®]



This manual **MUST** be given to the user of the product.

BEFORE using this product, read this manual and save for future reference.

For more information regarding
Invacare products, parts, and services,
please visit www.invacare.com



Yes, you can.[®]

WARNING

Risk of Injury or Damage

Incorrect set up of this wheelchair performed by users/caregivers or unqualified technicians can result in injury or damage.

User/Caregivers- DO NOT attempt to set up this wheelchair.

Initial set up of this wheelchair MUST be performed by a qualified technician.

A qualified technician MUST perform all procedures in the service manual.

DANGER

Risk of Death, Serious Injury or Damage

Improper use of this product may cause injury or damage

If you are unable to understand the warnings, cautions or instructions, contact a health care professional or dealer before attempting to use this equipment.

DO NOT use this product or any available optional equipment without first completely reading and understanding these instructions and any additional instructional material such as user manual, service manuals or instruction sheets supplied with this product or optional equipment.

REFERENCE DOCUMENTS

| DOCUMENT | PART NUMBER |
|---|-------------|
| M50/M51/M61 Service Manual | 1125075 |
| MK5™ NX™ Electronics Manual (M51 Wheelchairs) | 1110532 |
| MK6i™ Electronics Field Reference Guide (M61 Wheelchairs) | 1141471 |

NOTE: Updated versions of this manual are available on www.invacare.com.

TABLE OF CONTENTS

| | |
|--|-----------|
| REFERENCE DOCUMENTS | 2 |
| SPECIAL NOTES | 5 |
| LABEL LOCATION | 7 |
| TYPICAL PRODUCT PARAMETERS | 8 |
| SECTION 1—GENERAL GUIDELINES | 10 |
| Accessories | 10 |
| Controller Settings/Repair or Service | 10 |
| Operation Information | 11 |
| Batteries | 14 |
| Grounding Instructions | 15 |
| Rain Test | 15 |
| Repair or Service | 15 |
| Weight Training | 16 |
| Weight Limitation | 16 |
| SECTION 2—SAFETY GUIDELINES | 17 |
| SECTION 3—EMI INFORMATION | 20 |
| SECTION 4—SAFETY/HANDLING OF WHEELCHAIRS | 22 |
| Stability and Balance | 22 |
| Coping With Everyday Obstacles | 23 |
| A Note to Wheelchair Assistants | 23 |
| Pinch Points | 24 |
| Lifting/Stairways | 24 |
| Transferring To and From Other Seats | 26 |
| Reaching, Leaning and Bending - Forward | 27 |
| Reaching and Bending - Backward | 28 |
| SECTION 5—SAFETY INSPECTION/TROUBLESHOOTING | 29 |
| Safety Inspection Checklists | 29 |
| Troubleshooting Guide | 31 |
| Checking Battery Charge Level | 34 |
| SECTION 6—WHEELCHAIR OPERATION | 35 |
| Operating the Wheelchair | 35 |
| Adjusting the Speed | 36 |
| Using the Horn | 37 |
| Elevating the Seat | 37 |
| SPJ+ and SPJ+ w/ACC Joystick Switches and Indicators | 39 |
| SECTION 7—ARMS | 42 |
| Removing/Installing the Arms | 42 |
| Adjusting the Arms | 42 |
| Installing/Removing Flip Back Armrests | 44 |
| Positioning/Adjusting Flip Back Armrests | 45 |
| SECTION 8—SEAT | 46 |
| Adjusting the Back Angle | 46 |
| Adjusting the Headrest (Semi-Recline Only) | 47 |
| Removing/Installing the Seat Assembly | 48 |
| Replacing the Seat Positioning Strap | 49 |

TABLE OF CONTENTS

| | |
|---|-----------|
| SECTION 9—FOOTBOARD ASSEMBLY | 51 |
| Removing/Installing the Footboard Assembly..... | 51 |
| Adjusting the Footboard Assembly | 52 |
| SECTION 10—FRONT RIGGINGS | 54 |
| Installing/Removing Front Riggings | 54 |
| Adjusting Footrest Height | 55 |
| Replacing Heel Loops | 56 |
| Raising/Lowering Elevating Front Riggings..... | 57 |
| Adjusting/Replacing Telescoping Front Rigging Supports..... | 57 |
| SECTION 11—TOP SHROUD AND WHEELS | 62 |
| Replacing the Flat Free Tires on the Wheel Rim..... | 62 |
| Removing/Installing the Top Shroud | 62 |
| Engaging/Disengaging Motor Release Lever | 63 |
| Replacing Front/Rear Caster Assemblies..... | 64 |
| Adjusting Forks | 65 |
| SECTION 12—BATTERIES | 66 |
| Warnings For Handling and Replacing Batteries | 66 |
| Using the Proper Batteries..... | 67 |
| Removing/Installing Batteries from/into Battery Tray..... | 67 |
| Connecting/Disconnecting Battery Cables..... | 69 |
| Charging Batteries | 72 |
| Battery Charger Operation..... | 73 |
| SECTION 13—ELECTRONICS | 77 |
| Removing/Installing the Joystick | 77 |
| Repositioning the Joystick..... | 78 |
| Disconnecting/Connecting the Joystick..... | 80 |
| SECTION 14—ACCESSORIES | 81 |
| Installing/Removing the Crutch/Cane Holder..... | 81 |
| Installing/Removing the Oxygen Holder | 82 |
| Installing/Removing/Using the Walker Holder | 83 |
| SECTION 15—WEAR AND TEAR INFORMATION | 84 |
| General Information | 84 |
| GLOBAL LIMITED WARRANTY (EXCLUDING CANADA) | 87 |
| CANADA LIMITED WARRANTY | 88 |

SPECIAL NOTES

Signal words are used in this manual and apply to hazards or unsafe practices which could result in personal injury or property damage. Refer to the table below for definitions of the signal words.

| SIGNAL WORD | MEANING |
|-------------|---|
| DANGER | Danger indicates an imminently hazardous situation which, if not avoided, will result in death or serious injury. |
| WARNING | Warning indicates a potentially hazardous situation which, if not avoided, could result in death or serious injury. |
| CAUTION | Caution indicates a potentially hazardous situation which, if not avoided, may result in property damage or minor injury or both. |

NOTICE

THE INFORMATION CONTAINED IN THIS DOCUMENT IS SUBJECT TO CHANGE WITHOUT NOTICE.

WHEELCHAIR USER

As a manufacturer of wheelchairs, Invacare endeavors to supply a wide variety of wheelchairs to meet many needs of the end user. However, final selection of the type of wheelchair to be used by an individual rests solely with the user and his/her healthcare professional capable of making such a selection. Invacare recommends working with a qualified rehab technology provider, such as ATP, (Assisstive Technology Professonial).

WHEELCHAIR TIE-DOWN RESTRAINTS AND SEAT RESTRAINTS

Wheelchair users should not be transported in vehicles of any kind while in wheelchairs. As of this date, the Department of Transportation has not approved any tie-down systems for transportation of a user while in a wheelchair, in a moving vehicle of any type.

It is Invacare's position that users of wheelchairs should be transferred into appropriate seating in vehicles for transportation and use be made of the restraints made available by the auto industry. Invacare cannot and does not recommend any wheelchair transportation systems.

DANGER

Risk of Death or Serious Injury

Not wearing your seat positioning strap could result in death or serious injury.

ALWAYS wear your seat positioning strap. Your seat positioning strap helps reduce the possibility of a fall from the wheelchair. The seat positioning strap is a positioning belt only. It is not designed for use as a safety device withstanding high stress loads such as auto or aircraft safety belts. If signs of wear appear, seat positioning strap **MUST** be replaced **IMMEDIATELY**.

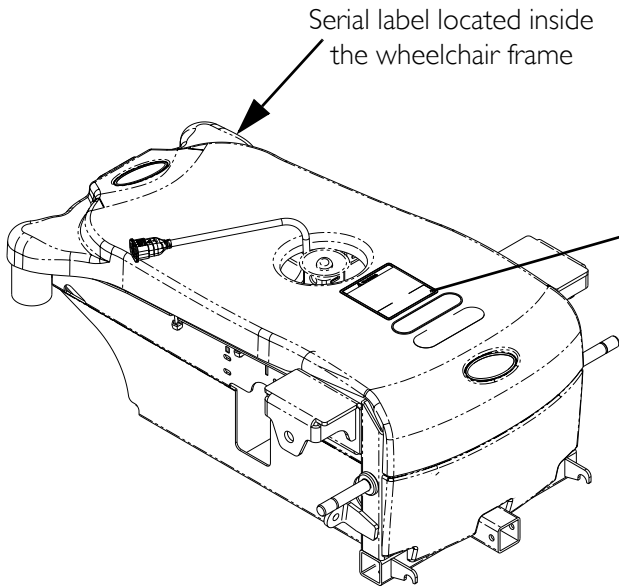
⚠ WARNING CONTINUED

The drive behavior initially experienced by the user may be different from other chairs previously used. This power wheelchair has Invacare's SureStep technology, a feature that provides the chair with optimum traction and stability when driving forward over transitions and thresholds of up to 2-inches.

To determine and establish your particular safety limits, practice use of this product on various sloping surfaces in the presence of a qualified healthcare provider before attempting active use of this wheelchair. Other general warnings listed within this document also apply.

LABEL LOCATION

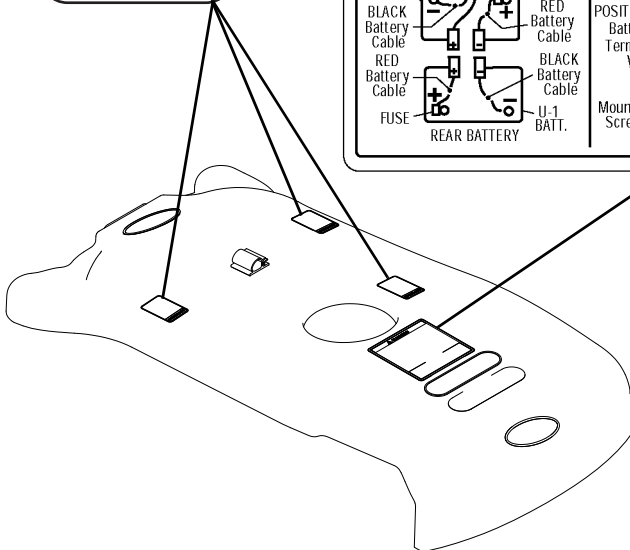
M51 Wheelchairs



⚠ WARNING The POSITIVE (+) RED Battery Cable MUST connect to the POSITIVE (+) Battery Terminal(s)/ Post(s). The NEGATIVE (-) BLACK Battery Cable MUST connect to the NEGATIVE (-) Battery Terminal(s)/Post(s). DO NOT allow Battery Cable(s) to contact the opposite Battery Terminal(s)/Post(s). Install protective caps on POSITIVE (+) and NEGATIVE (-) battery terminals. Replace cable(s) immediately if cable(s) insulation becomes damaged. Failure to observe these warnings may result in an electrical short with serious personal injury and/or damage to the electrical system. See Owner's Manual. DO NOT remove fuse or mounting hardware from POSITIVE (+) RED battery cable mounting screw. DO NOT REMOVE THIS LABEL.

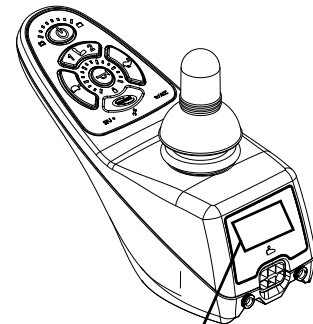
P/N 1122126

M61 Wheelchairs



⚠ WARNING The POSITIVE (+) RED Battery Cable MUST connect to the POSITIVE (+) Battery Terminal(s)/ Post(s). The NEGATIVE (-) BLACK Battery Cable MUST connect to the NEGATIVE (-) Battery Terminal(s)/Post(s). DO NOT allow Battery Cable(s) to contact the opposite Battery Terminal(s)/Post(s). Install protective caps on POSITIVE (+) and NEGATIVE (-) battery terminals. Replace cable(s) immediately if cable(s) insulation becomes damaged. Failure to observe these warnings may result in an electrical short with serious personal injury and/or damage to the electrical system. See Owner's Manual. DO NOT remove fuse or mounting hardware from POSITIVE (+) RED battery cable mounting screw. DO NOT REMOVE THIS LABEL.

P/N 1122126



⚠ WARNING
DO NOT operate wheelchair on an incline while in an elevated position. Otherwise, the wheelchair may tip over and injury or damage may occur.
1130210 Rev. A - 01/05

TYPICAL PRODUCT PARAMETERS

| | MEDIUM BACK | SEMI-RECLINE BACK | | | OFFICE STYLE, SEMI-RECLINE BACK | ASBA |
|---|---|---|-----------|-----------------|---|---|
| SEAT WIDTH RANGE: | 18 inches | 16 inches | 18 inches | 20 inches | 18 inches | 16 to 20 inches |
| SEAT DEPTH: | 16 to 18 inches | 16 to 18 inches | | 18 to 20 inches | 16 to 18 inches | 16 to 20 inches |
| BACK HEIGHT: | 16½ inches | 19 inches | | | 23½ inches (w/ headrest) 18¾ inches (w/o headrest) | 16 to 20 inches |
| BACK ANGLE RANGE: | 95° to 100° in 5° increments | 90 to 114° | | | 90 to 115° | 80° to 100° in 5° increments |
| UPHOLSTERY: | Light Grey Vinyl | Light Grey Vinyl, Grey Cloth, Tan Vinyl | | | Charcoal Grey Vinyl | Black Nylon Back with Seat Pan |
| SEAT-TO-FLOOR WITH FOOTBOARD (M51): | 20 to 24 inches | | | | 19 to 23 inches | 17 to 21 inches |
| WITH FRONT RIGGINGS (M51): | 22 to 24 inches | | | | 19 to 23 inches | 19 to 21 inches |
| WITH ELEVATING SEAT (M61): | 21 to 23 inches + up to 5 inches of Elevate | | | | 19 to 21 inches + up to 5 inches of Elevate | 17 to 19 inches + up to 5 inches of Elevate |
| OVERALL WIDTH: | 24 inches (Without Joystick) | | | | | |
| OVERALL HEIGHT: | 35 to 43¾ inches | | | | 41½ inches | |
| OVERALL LENGTH: | 34 inches (With Footboard Folded) 39½ inches (With Footboard Extended) | | | | | |
| DRIVE WHEELS/ TIRES: | 10 x 3-inch (Flat Free inserts) | | | | | |
| CASTER: | 6 x 2-inch Front/Rear w/Precision Sealed Bearings | | | | | |
| FOOTRESTS/ LEGRESTS: | Flip Up, Depth and Height Adjustable, Footboard, Swingaway Front Rigging, Elevating Legrest | | | | | |
| *WEIGHT W/O BATTERIES: W/BATTERIES (UI): | | | | | 145 to 170 lbs 192 to 217 lbs | |

| | MEDIUM BACK | SEMI-RECLINE BACK | OFFICE STYLE, SEMI-RECLINE BACK | ASBA |
|--|---|-------------------|---------------------------------|--|
| SHIPPING BASE W/O BATTERIES: BASE WITH BATTERIES: MEDIUM BACK: SEMI-RECLINE: OFFICE STYLE: ASBA (20 X 20 X 20): | | | | 107 lbs 154 lbs 40 lbs 64 lbs 44 lbs 48 lbs |
| ARMRESTS: | Adjustable Width, Angle, Heights and Depth | | | |
| BATTERIES: | UI - Quantity 2 | | | |
| WEIGHT LIMITATION: | 300 lbs | | | |
| PERFORMANCE SPEED: TURNING RADIUS: **RANGE (VARIABLE): | 0 to 4.3 m.p.h. 19½ inches up to 12 miles | | | |
| OPERATING TEMPERATURE | 122 F (50 C) Maximum to -13 F (-25 C) Minimum | | | |
| STORAGE TEMPERATURE | 149 F (65 C) Maximum to -58 F (-40 C) Minimum | | | |

*NOTE: Includes seating systems and accessories.

**NOTE: Values for range are calculated for maximum chair weight rating using largest batteries applicable (U1), per test procedures described in ANSI/RESNA WC/VOL2-1998 Section 4 and meet federal reimbursement requirements for this product. While considered typical, they are derived based on certain ideal conditions. Variances in battery condition, user weight, usage pattern or overall terrain conditions will result in actual values for range that differ from these stated values. Users should become accustomed to how their unique conditions impact their individual results. Users should become familiar with the battery discharge indicator on the joystick to determine the range of their wheelchair. Refer to Battery Charger Operation on page 73 for more information about the battery discharge indicator.

SECTION I—GENERAL GUIDELINES

NOTE: GENERAL GUIDELINES contains important information for the safe operation and use of this product.

⚠ DANGER

Risk of Death, Serious Injury or Damage

Improper use of this product may cause injury or damage

If you are unable to understand the warnings, cautions or instructions, contact a health care professional or dealer before attempting to use this equipment.

DO NOT use this product or any available optional equipment without first completely reading and understanding these instructions and any additional instructional material such as user manual, service manuals or instruction sheets supplied with this product or optional equipment.

Accessories

⚠ WARNING

Risk of Serious Injury or Damage

Use of non-Invacare accessories may result in serious injury or damage.

Invacare products are specifically designed and manufactured for use in conjunction with Invacare accessories. Accessories designed by other manufacturers have not been tested by Invacare and are not recommended for use with Invacare products.

DO NOT use non-Invacare accessories.

To obtain Invacare accessories, contact Invacare by phone or at www.invacare.com.

⚠ WARNING

Extreme care should be exercised when using oxygen in close proximity to electric circuits and other combustible materials. Contact your oxygen supplier for instruction in the use of oxygen.

Controller Settings/Repair or Service

⚠ WARNING

Set-up of the Electronic Control Unit is to be performed only by a qualified technician. The final adjustments of the controller may affect other activities of the wheelchair. Damage to the equipment could occur if improperly set-up or adjusted.

⚠ DANGER

Risk of Death, Serious Injury, or Damage

Corroded electrical components due to water, liquid exposure, or incontinent users can result in death, serious injury, or damage.

Minimize exposure of electrical components to water and/or liquids. Electrical components damaged by corrosion **MUST** be replaced immediately.

Wheelchairs that are used by incontinent users and/or are frequently exposed to water/liquids may require replacement of electrical components more frequently.

Operation Information

⚠ WARNING

Risk of Serious Injury or Damage

Moving the seating system from the factory setting may reduce driver control, wheelchair stability, traction and increase caster wear resulting in serious injury or damage.

Move the seating system **ONLY** when necessary to fit the wheelchair to the user.

If the seating system must be moved, **ALWAYS** inspect the wheelchair to ensure the front rigging **DOES NOT** interfere with the front casters.

If the seating system must be moved, **ALWAYS** inspect to ensure the wheelchair **DOES NOT** easily tip forward or backward.

⚠ DANGER

Risk of Death, Serious Injury or Damage

Operating the wheelchairs outdoors or in areas of poor lighting may result in death, serious injury, or damage.

Operating the wheelchair near motor vehicles may result in death, serious injury or damage.

DO NOT operate on roads, streets or highways.

Use caution when operating the wheelchair outdoors at night or in areas with poor lighting.

ALWAYS be aware of motor vehicles when using the wheelchair.

⚠ DANGER

Risk of Death, Serious Injury, or Damage

Continued use of the wheelchair that is not set to the correct specifications may cause erratic behavior of the wheelchair resulting in death, serious injury, or damage.

Performance adjustments should only be made by professionals of the healthcare field or persons fully conversant with this process and the driver's capabilities.

After the wheelchair has been set up/adjusted, check to make sure that the wheelchair performs to the specifications entered during the set up procedure. If the wheelchair does not perform to specifications, turn the wheelchair Off immediately and reenter set up specifications. Contact Invacare, if wheelchair still does not perform to correct specifications.

⚠ DANGER

Risk of Death, Serious Injury or Damage

Misuse of the wheelchair may cause component failure and/or the wheelchair to start smoking, sparking, or burning. Death, serious injury, or damage may occur due to fire.

DO NOT use the wheelchair other than its intended purpose. If the wheelchair starts smoking, sparking, or burning, discontinue using the wheelchair and seek service **IMMEDIATELY**.

⚠ WARNING

Risk of Serious Injury or Damage

Operating the wheelchair with a ground clearance of less than 3 inches between the footplates and the ground/floor may cause serious injury or property damage.

ALWAYS maintain a minimum of 3 inches between the bottom of the footplates and ground/floor to ensure proper ground clearance while the wheelchair is in motion. If necessary, adjust the footplates height to achieve proper ground clearance. After footplates height adjustment, if the wheelchair dips forward and the footplates touch the ground while in motion, please contact your dealer for an inspection and avoid use of the wheelchair if possible.

⚠ WARNING

ALWAYS shift your weight in the direction you are turning. **DO NOT** shift your weight in the opposite direction of the turn. Shifting your weight in the opposite direction of the turn may cause the inside drive wheel to lose traction and the wheelchair to tip over.

DO NOT shift your weight or sitting position toward the direction you are reaching as the wheelchair may tip over.

DO NOT make sharp turns in the forward or reverse direction at excessive speed. Failure to observe this warning can cause the wheelchair to tip over and may result in injury to users, bystanders and/or damage to product.

⚠ WARNING

DO NOT climb, go up or down ramps or traverse slopes greater than 9°.

DO NOT attempt to drive over curbs or obstacles. Doing so may cause your wheelchair to turn over and cause bodily harm or damage to the chair.

DO NOT leave the power button in the **On** position when entering or exiting your wheelchair.

DO NOT stand on the frame of the wheelchair.

DO NOT stand on the flip-up footboard, otherwise damage may occur. When getting in or out of the wheelchair, make sure that the flip-up footboard is in the upward position.

DO NOT stand on the front riggings, otherwise damage may occur. When getting in or out of the wheelchair, make sure that the footplates on the front riggings are in the upward position or moved out of the way.

When determining the depth of the telescoping front frame tubes, make sure the rear of the footrests do not interfere with the movement of the front casters. Otherwise damage to the wheelchair may result or may impede proper operation.

Use the seat swivel option with caution when accessories are installed (such as safety flag, crutch/cane holder, etc.). Otherwise, property damage may occur.

DO NOT engage or disengage the motor release levers until the power is in the **Off** position.

Before performing any maintenance, adjustment or service verify that **On/Off** switch on the joystick is in the **Off** position.

Avoid storing or using the wheelchair near open flame or combustible products. Serious injury or damage to property may result.

ALWAYS keep hands and fingers clear of moving parts to avoid injury.

NEVER leave an unoccupied wheelchair on an incline.

DO NOT attempt to lift the wheelchair by any removable (detachable) parts. Lifting by means of any removable (detachable) parts of the wheelchair may result in injury to the user or damage to the wheelchair.

Make sure the detent balls of the quick-release pin are fully released beyond the outer edge of the tube before operating the wheelchair. Otherwise, injury and/or damage may result.

Keep detent balls clean.

M61 Wheelchairs Only

⚠ WARNING

DO NOT operate wheelchair on an incline while in an elevated position. Otherwise, the wheelchair may tip over and injury or damage may occur.

Batteries

⚠ WARNING

The warranty and performance specifications contained in this manual are based on the use of deep cycle gel cell or sealed lead acid batteries. Invacare strongly recommends their use as the power source for this unit.

Carefully read battery/battery charger information prior to installing, servicing or operating your wheelchair.

Charging Batteries

⚠ DANGER

When using an extension cord, use only a three wire extension cord having at least 16 AWG (American Wire Gauge) wire and the same or higher electrical rating as the device being connected. Use of improper extension cord could result in risk of fire and electric shock. Three prong to two prong adapters should not be used. Use of three prong adapters can result in improper grounding and present a shock hazard to the user.

⚠ WARNING

The use of rubber gloves is recommended when working with batteries.

NEVER attempt to recharge the batteries by attaching cables directly to the battery terminals.

DO NOT attempt to recharge the batteries and operate the wheelchair at the same time.

DO NOT operate wheelchair with extension cord attached to the AC cable.

DO NOT attempt to recharge the batteries when the wheelchair has been exposed to any type of moisture.

DO NOT attempt to recharge the batteries when the wheelchair is outside.

DO NOT sit in the wheelchair while charging the batteries.

DO NOT attempt to recharge batteries using both the on-board battery charger and an independent battery charger (plugged into the joystick charger port) at the same time. Doing so will reduce the life of the batteries.

⚠ WARNING

Read and carefully follow the manufacturer's instructions for each charger (supplied or purchased). If charging instructions are not supplied, consult a qualified technician for proper procedures.

Ensure the pins of the extension cord plug are the same number, size, and shape as those on the charger.

DO NOT under any circumstances cut or remove the round grounding plug from the charger AC cable plug or the extension cord plug.

Grounding Instructions

WARNING

DO NOT, under any circumstances, cut or remove the round grounding prong from any plug used with or for Invacare products. Some devices are equipped with three-prong (grounding) plugs for protection against possible shock hazards and fire. Where a two-prong wall receptacle is encountered, it is the personal responsibility and obligation of the customer to contact a qualified electrician and have the two-prong receptacle replaced with a properly grounded three-prong wall receptacle in accordance with the National Electrical Code. If you must use an extension cord, use only a three-wire extension cord having the same or higher electrical rating as the device being connected. In addition, Invacare has placed **RED/ORANGE** warning tags on some equipment. **DO NOT** remove these tags.

Rain Test

CAUTION

Risk of Damage

Operating the wheelchair in rain or dampness may cause the wheelchair to malfunction electrically and mechanically; may cause the wheelchair to prematurely rust or may damage the upholstery.

DO NOT leave wheelchair in a rain storm of any kind.

DO NOT use wheelchair in a shower.

DO NOT leave wheelchair in a damp area for any length of time.

Check to ensure that the battery covers are secured in place, joystick boot is **NOT** torn or cracked where water can enter and that all electrical connections are secure at all times. **DO NOT** use if the joystick boot is torn or cracked. If the joystick boot becomes torn or cracked, replace **IMMEDIATELY**.

Repair or Service

DANGER

Risk of Death, Serious Injury or Damage

Use of incorrect or improper replacement (service) parts may cause death, serious injury, or damage.

Replacement parts **MUST** match original Invacare parts.

ALWAYS provide the wheelchair serial number to assist in ordering the correct replacement parts.

⚠ DANGER

Risk of Death, Serious Injury, or Damage

Incorrect repair and/or servicing of this wheelchair performed by users/caregivers or unqualified technicians can result in death, serious injury, or damage.

Users/Caregivers — **DO NOT** attempt to repair and/or service this wheelchair.

Repair and/or service of this wheelchair **MUST** be performed by a qualified technician. Contact a dealer or Invacare technician.

Weight Training

⚠ WARNING

Invacare does not recommend the use of its wheelchairs as a weight training apparatus. Invacare wheelchairs have not been designed or tested as a seat for any kind of weight training. If occupant uses said wheelchair as a weight training apparatus, Invacare shall not be liable for bodily injury and the warranty is void.

Weight Limitation

⚠ WARNING

The M5I and M6I wheelchairs with SureStep have a weight limitation of 300 lbs.

SECTION 2—SAFETY GUIDELINES

⚠ DANGER

Risk of Death, Serious Injury, or Damage

Missing attaching hardware could cause instability resulting in death, serious injury or damage.

Ensure all attaching hardware is present and tightened securely.

Risk of Death, Serious Injury, or Damage

Lighted cigarettes dropped onto an upholstered seating system can cause a fire resulting in death, serious injury, or damage.

Wheelchair occupants are at particular risk of death or serious injury from these fires and resulting fumes because they may not have the ability to move away from the wheelchair.

DO NOT smoke while using this wheelchair.

Risk of Death or Serious Injury

Traveling on inclines with wet, slippery, icy or oily surfaces could cause loss of traction resulting in death or serious injury.

DO NOT use on inclines with wet, slippery, icy or oily surfaces. This may include certain painted or otherwise treated wood surfaces.

Risk of Death or Serious Injury

Electric shock can cause death or serious injury

To avoid electric shock, inspect plug and cord for cuts and/or frayed wires. Replace cut cords or frayed wires immediately.

Risk of Death, Serious Injury, or Damage

Malfunctioning joystick could cause unintended/erratic movement resulting in death, serious injury, or damage.

If unintended/erratic movement occurs, stop using the wheelchair immediately and contact a qualified technician.

⚠ WARNING

Risk of Serious Injury or Damage

Attaching hardware that is loosely secured could cause loss of stability resulting in serious injury or damage

After ANY adjustments, repair or service and before use, make sure that all attaching hardware is tightened securely.

⚠ WARNING

Risk of Serious Injury or Damage

Loss of power due to loose electrical connections could cause the wheelchair to suddenly stop resulting in serious injury or damage.

ALWAYS ensure that all electrical connections are tightly connected so they don't vibrate loose.

Risk of Minor to Serious Injury

Pinch points can cause minor to serious injury.

Be mindful of potential pinch points and use caution when using this product.

Risk of Serious Injury

Impacting objects in the surrounding environment can cause serious injury.

When maneuvering the wheelchair around, **ALWAYS** have assured cleared distance with all objects in environment.

Risk of Serious Injury

Sharp edges can cause serious injury.

Be mindful that some parts may have sharp edges. Use caution when encountering these sharp edges.

Risk of Serious Injury

Hot surfaces can cause severe burns.

Be mindful of potential hot surfaces and avoid touching.

Risk of Serious Injury or Damage

Accidental activation of wheelchair caused by pets, children, etc. can result in serious injury or damage.

ALWAYS turn power off when around pets and/or children to prevent unintended movement.

Risk of Death or Serious Injury

Braking hard and/or sudden stops while on inclines could cause loss of stability resulting in death or serious injury.

While on inclines, **ALWAYS** travel at a reduced, constant speed to maintain stability. Traveling down ramps at high speeds will reduce traction and increase stopping distance.

DO NOT brake hard and avoid sudden stops while traveling on an incline.

If stopping becomes necessary while on an incline, release the joystick and allow the wheelchair to come to a full stop. Then proceed at a slower speed.

⚠ WARNING

Risk of Death or Serious Injury

Driving in an elevated position while on an incline could cause loss of stability resulting in death or serious injury

DO NOT drive in an elevated position while on an incline.

Risk of Serious Injury or Damage

Dropping the battery can result in serious injury or property damage.

Batteries can weigh up to 52 lbs (23.6 kg). ALWAYS use a battery lifting strap when lifting the battery. It is the most reliable method of carrying a battery and preventing serious injury.

Risk of Death, Serious Injury or Damage

Exceeding the weight capacity of the wheelchair/seating system could cause instability resulting in death or serious injury.

DO NOT exceed the weight capacity.

Risk of Serious Injury or Death

Failure to observe this warning can result in serious injury or death.

Loss of traction on ramps and inclines can occur for a variety of reasons including; water, ramp material, surface conditions, steepness or grade etc. Lighter weight users may be at an increased risk for loss of traction. As such, when using on ramps or inclines always reduce speed and proceed with caution.

Risk of Death, Serious Injury, or Damage

Improperly connected joystick could cause loss of power resulting in death, serious injury, or damage.

Ensure the joystick is securely connected to controller.

SECTION 3—EMI INFORMATION

⚠ WARNING

CAUTION: IT IS VERY IMPORTANT THAT YOU READ THIS INFORMATION REGARDING THE POSSIBLE EFFECTS OF ELECTROMAGNETIC INTERFERENCE ON YOUR POWERED WHEELCHAIR.

Electromagnetic Interference (EMI) From Radio Wave Sources

Powered wheelchairs and motorized scooters (in this text, both will be referred to as powered wheelchairs) may be susceptible to electromagnetic interference (EMI), which is interfering electromagnetic energy (EM) emitted from sources such as radio stations, TV stations, amateur radio (HAM) transmitters, two way radios, and cellular phones. The interference (from radio wave sources) can cause the powered wheelchair to release its brakes, move by itself, or move in unintended directions. It can also permanently damage the powered wheelchair's control system. The intensity of the interfering EM energy can be measured in volts per meter (V/m). Each powered wheelchair can resist EMI up to a certain intensity. This is called its "immunity level." The higher the immunity level, the greater the protection. At this time, current technology is capable of achieving at least a 20 V/m immunity level, which would provide useful protection from the more common sources of radiated EMI.

There are a number of sources of relatively intense electromagnetic fields in the everyday environment. Some of these sources are obvious and easy to avoid. Others are not apparent and exposure is unavoidable. However, we believe that by following the warnings listed below, your risk to EMI will be minimized.

The sources of radiated EMI can be broadly classified into three types:

- 1) Hand-held Portable transceivers (transmitters-receivers with the antenna mounted directly on the transmitting unit. Examples include: citizens band (CB) radios, "walkie talkie", security, fire and police transceivers, cellular telephones, and other personal communication devices).

NOTE: Some cellular telephones and similar devices transmit signals while they are ON, even when not being used.

- 2) Medium-range mobile transceivers, such as those used in police cars, fire trucks, ambulances and taxis. These usually have the antenna mounted on the outside of the vehicle; and
- 3) Long-range transmitters and transceivers, such as commercial broadcast transmitters (radio and TV broadcast antenna towers) and amateur (HAM) radios.

NOTE: Other types of hand-held devices, such as cordless phones, laptop computers, AM/FM radios, TV sets, CD players, cassette players, and small appliances, such as electric shavers and hair dryers, so far as we know, are not likely to cause EMI problems to your powered wheelchair.

⚠ WARNING**Powered Wheelchair Electromagnetic Interference (EMI)**

Because EM energy rapidly becomes more intense as one moves closer to the transmitting antenna (source), the EM fields from hand-held radio wave sources (transceivers) are of special concern. It is possible to unintentionally bring high levels of EM energy very close to the powered wheelchair's control system while using these devices. This can affect powered wheelchair movement and braking. Therefore, the warnings listed below are recommended to prevent possible interference with the control system of the powered wheelchair.

Electromagnetic interference (EMI) from sources such as radio and TV stations, amateur radio (HAM) transmitters, two-way radios, and cellular phones can affect powered wheelchairs and motorized scooters.

FOLLOWING THE WARNINGS LISTED BELOW SHOULD REDUCE THE CHANCE OF UNINTENDED BRAKE RELEASE OR POWERED WHEELCHAIR MOVEMENT WHICH COULD RESULT IN SERIOUS INJURY.

- 1) Do not operate hand-held transceivers (transmitters receivers), such as citizens band (CB) radios, or turn ON personal communication devices, such as cellular phones, while the powered wheelchair is turned ON;
- 2) Be aware of nearby transmitters, such as radio or TV stations, and try to avoid coming close to them;
- 3) If unintended movement or brake release occurs, turn the powered wheelchair OFF as soon as it is safe;
- 4) Be aware that adding accessories or components, or modifying the powered wheelchair, may make it more susceptible to EMI (NOTE: There is no easy way to evaluate their effect on the overall immunity of the powered wheelchair); and
- 5) Report all incidents of unintended movement or brake release to the powered wheelchair manufacturer, and note whether there is a source of EMI nearby.

Important Information

- 1) 20 volts per meter (V/m) is a generally achievable and useful immunity level against EMI (as of May 1994) (the higher the level, the greater the protection);
- 2) This device has been tested to a radiated immunity level of 20 volts per meter.
- 3) The immunity level of the product is unknown.

Modification of any kind to the electronics of this wheelchair as manufactured by Invacare may adversely affect the EMI immunity levels.

SECTION 4—SAFETY/HANDLING OF WHEELCHAIRS

“Safety and Handling” of the wheelchair requires the close attention of the wheelchair user as well as the assistant. This manual points out the most common procedures and techniques involved in the safe operation and maintenance of the wheelchair. It is important to practice and master these safe techniques until you are comfortable in maneuvering around the frequently encountered architectural barriers.

Use this information only as a “basic” guide. The techniques that are discussed on the following pages have been used successfully by many.

Individual wheelchair users often develop skills to deal with daily living activities that may differ from those described in this manual. Invacare recognizes and encourages each individual to try what works best for him/her in overcoming architectural obstacles that they may encounter, however all WARNINGS and CAUTIONS given in this manual MUST be followed. Techniques in this manual are a starting point for the new wheelchair user and assistant with “safety” as the most important consideration for all.

Stability and Balance

WARNING

Be aware that carrying heavy objects on your lap while occupying the wheelchair may adversely affect the stability of the wheelchair, resulting in serious bodily injury to the user, damage to the wheelchair and surrounding property.

This wheelchair has been designed to accommodate one individual. If more than one individual occupies the wheelchair this may adversely affect the stability of the wheelchair, resulting in serious bodily injury to the user and passenger and damage to the wheelchair and surrounding property.

To assure stability and proper operation of your wheelchair, you must at all times maintain proper balance. Your wheelchair has been designed to remain upright and stable during normal daily activities as long as you do not move beyond the center of gravity. DO NOT lean forward out of the wheelchair any further than the length of the armrests.

Coping With Everyday Obstacles

NOTE: For this information, refer to FIGURE 4.1.

Coping with the irritation of everyday obstacles can be alleviated somewhat by learning how to manage your wheelchair. Keep in mind your center of gravity to maintain stability and balance.

While the walking beam allows to traverse up to a 2-inch bump or threshold, stopping after the wheels cross the bump poses a problem. The chair cannot reverse over the bump at this point. Continue forward and then turn around.

While the wheelchair is designed for use primarily in and around the home, the provider should determine whether this chair is suitable for the actual environment the chair will be used in.

DO NOT go down ramp at full speed. Some seat/back positions will cause wheelchair to feel unstable.

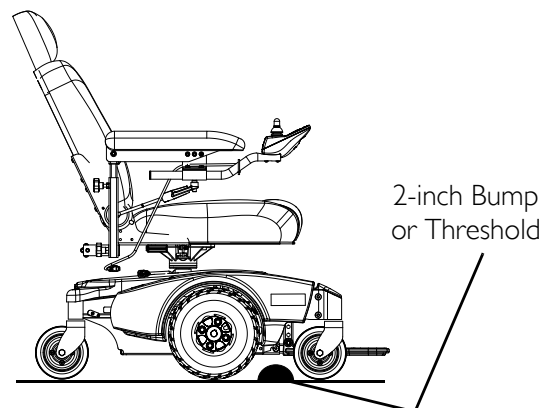


FIGURE 4.1 Coping With Everyday Obstacles

CAUTION

Be aware of condition of ramp. Traction will be diminished/nonexistent on a slippery surface. Proceed with caution.

A Note to Wheelchair Assistants

When assistance to the wheelchair user is required, remember to use good body mechanics. Keep your back straight and bend your knees whenever tilting wheelchair or traversing curbs or other impediments.

Also, be aware of detachable parts such as arms or legrests. These must NEVER be used to move the wheelchair or as lifting supports, as they may be inadvertently released, resulting in possible injury to the user and/or assistant(s).

When learning a new assistance technique, have an experienced assistant help you before attempting it alone.

Pinch Points

⚠ WARNING

M6I WHEELCHAIRS ONLY - Pinch point may occur when lowering the elevating seat. Make sure the hands and body of both the occupant and attendants/bystanders are clear of all pinch points before lowering seat.

DO NOT store or place items under the seat.

NOTE: For this procedure, refer to FIGURE 4.2 and FIGURE 4.3 on page 24.

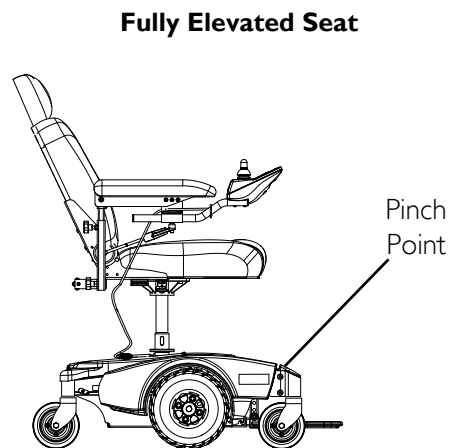


FIGURE 4.2 Pinch Points

⚠ WARNING

Pinch point may occur when adjusting the arm angle position (Detail “A”).
Pinch point may occur when rotating the footboard assembly (Detail “B”).

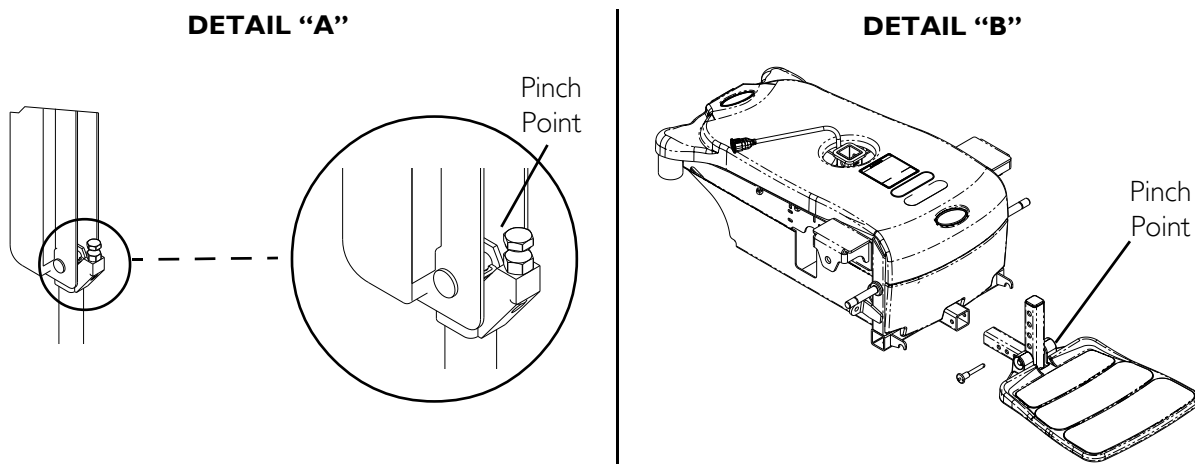


FIGURE 4.3 Pinch Points

Lifting/Stairways

⚠ WARNING

DO NOT attempt to move an occupied power wheelchair between floors using a stairway. Use an elevator to move an occupied power wheelchair between floors. If moving a power wheelchair between floors by means of a stairway, the occupant **MUST** be removed and transported independently of the power wheelchair.

⚠ WARNING

Extreme caution is advised when it is necessary to move an unoccupied power wheelchair up or down the stairs. Invacare recommends using two assistants and making thorough preparations.

Use only secure, nondetachable parts for hand-hold supports.

It is strongly recommended to lift the wheelchair only by the rear frame and the front forks - otherwise injury or damage may occur.

DO NOT attempt to lift the wheelchair by any removable (detachable) parts. Lifting by means of any removable (detachable) parts of a wheelchair may result in injury to the user or damage to the wheelchair.

The weight of the wheelchair with batteries and without the user is 212 lbs. Use proper lifting techniques (lift with your legs) to avoid injury.

NOTE: For this procedure, refer to FIGURE 4.4 on page 25.

Follow this procedure for moving the wheelchair between floors when an elevator is not available or lifting the wheelchair is necessary:

NOTE: When using a stairway to move the wheelchair, seat and any accessories, move all wheelchair components away from the stairway prior to reassembly.

NOTE: This procedure needs two assistants to lift the wheelchair to transport it.

1. Remove the occupant from the wheelchair.
2. Remove the seat. Refer to [Removing/Installing the Seat Assembly](#) on page 48.
3. Remove any accessories on the wheelchair.
4. Bend your knees and keep your back straight.
5. Ensure that the casters are oriented as shown in FIGURE 4.4.
6. Using the rear and front forks as hand hold supports, transfer the wheelchair base to desired location. Refer to FIGURE 4.4.
7. Using non-removable (nondetachable) parts, transfer the seat and any accessories to desired location.
8. Reinstall any accessories that were removed in STEP 3.
9. Reinstall the seat. Refer to [Removing/Installing the Seat Assembly](#) on page 48.

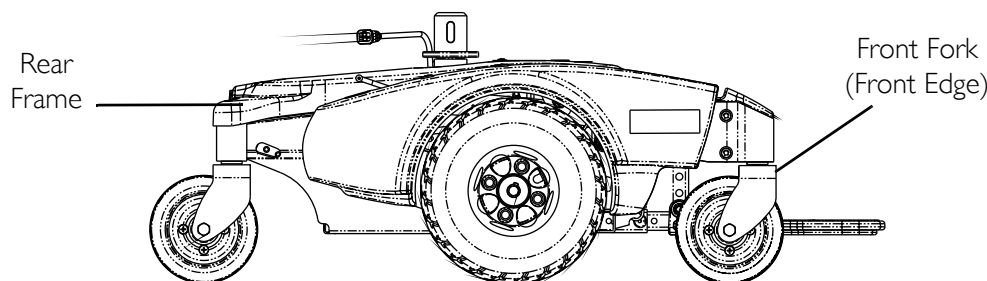


FIGURE 4.4 Lifting/Stairways

⚠ WARNING - ESCALATORS

DO NOT use an escalator to move a wheelchair between floors. Serious bodily injury may occur.

Transferring To and From Other Seats

⚠ WARNING

Risk of Serious Injury or Damage

Improper transfer techniques may cause serious injury or damage.

Before attempting transfers, consult a health care professional to determine proper transfer techniques for the user and type of wheelchair.

Reduce gap between transfer surface and wheelchair seat to the minimum distance necessary to perform transfer.

Align casters parallel to the drive wheels to improve stability during transfer.

ALWAYS turn the wheelchair power off.

ALWAYS engage both motor locks/clutches and free wheel hubs (if equipped) to prevent the wheels from moving before transferring into or from the wheelchair.

CAUTION

When transferring, position yourself as far back as possible in the seat. This will prevent broken screws, damaged upholstery and the possibility of the wheelchair tipping forward.

NOTE: This activity may be performed independently provided you have adequate mobility and upper body strength.

NOTE: For this procedure, refer to FIGURE 4.5.

1. Position the wheelchair as close as possible along side the seat to which you are transferring, with the rear casters pointing away from it.
2. After the wheelchair is positioned properly for transfer, verify that the motor release levers are engaged. Refer to Engaging/Disengaging Motor Release Lever on page 63.

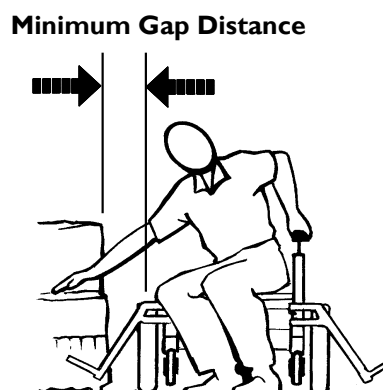


FIGURE 4.5 Transferring To and From Other Seats

3. Flip back or remove arm on side of wheelchair you are transferring from.
4. Shift body weight into seat with transfer.

During independent transfer, little or no seat platform will be beneath you. Use a transfer board if at all possible.

Reaching, Leaning and Bending - Forward

NOTE: For this procedure, refer to FIGURE 4.6.

Many activities require the wheelchair user to reach, bend and transfer in and out of the wheelchair. These movements will cause a change to the normal balance, center of gravity, and weight distribution of the wheelchair. To determine and establish your particular safety limits, practice bending, reaching and transferring activities in several combinations in the presence of a qualified healthcare professional before attempting active use of the wheelchair.

⚠ WARNING

Risk of Serious Injury or Damage

Improper positioning while leaning or bending could cause the wheelchair to tip forward resulting in serious injury or damage.

To assure stability and proper operation of your wheelchair, you must at all times maintain proper balance. Your wheelchair has been designed to remain upright and stable during normal daily activities as long as you DO NOT move beyond the center of gravity. DO NOT lean forward out of the wheelchair any further than the length of the armrests.

DO NOT attempt to reach objects if you have to move forward in the seat or pick them up from the floor by reaching down between your knees.

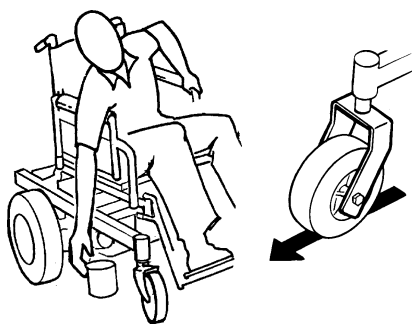


FIGURE 4.6 Reaching, Leaning and Bending - Forward

Engage motor locks and turn power off before reaching, leaning or bending only as far as your arm will extend without changing your sitting position. Position the casters so that they are extended away from the drive wheels and engage wheel locks/motor locks/clutches.

Reaching and Bending - Backward

⚠ WARNING

DO NOT lean over the top of the back upholstery. This will change your center of gravity and may cause you to tip over.

NOTE: For this procedure, refer to For this procedure, refer to FIGURE 4.7.

Position wheelchair as close as possible to the desired object. Point the front AND rear casters rearward to create the longest possible wheelbase. Reach back only as far as your arm will extend without changing your sitting position.



FIGURE 4.7 Reaching and Bending - Backward

SECTION 5—SAFETY INSPECTION/ TROUBLESHOOTING

NOTE: Every six months or as necessary take your wheelchair to a qualified dealer for a thorough inspection and servicing. Regular cleaning will reveal loose or worn parts and enhance the smooth operation of your wheelchair. To operate properly and safely, your wheelchair must be cared for just like any other vehicle. Routine maintenance will extend the life and efficiency of your wheelchair.

Safety Inspection Checklists

DANGER

Risk of Death or Serious Injury

Failure to complete the inspection of the critical components listed below could result in death or serious injury.

Inspect stability control components which could include anti-dive spring, anti-dive cylinder, ratcheting gears, or end stops to ensure proper operation.

Inspect drive axle nut, locking tab, wheel fasteners or quick release to ensure drive wheel is secure.

CAUTION

As with any vehicle, wheels and tires should be checked periodically for cracks and wear and should be replaced as necessary.

Initial adjustments should be made to suit your personal body structure needs and preference. Thereafter follow these maintenance procedures:

All Wheelchairs

Inspect/Adjust Initially

- Ensure that the wheelchair rolls straight (no excessive drag or pull to one side).
- Ensure that the arms are secure but easy to release and adjustment levers engage properly.
- Ensure that adjustable height arms operate and lock securely.
- Ensure armrest pads sit flush against arm.
- Ensure seat is secured to wheelchair frame.
- Ensure seat release latch is functional. Replace if necessary.
- Clean seat upholstery and armrests.
- Ensure wheel mounting nuts are secure on drive wheels.

- Ensure no excessive side movement or binding occurs when drive wheels are lifted and spun when disengaged (freewheeling).
- Inspect caster assembly has proper tension when caster is spun. Caster should come to a gradual stop.
- Loosen/tighten caster locknut if wheel wobbles noticeably or binds to a stop.
- Ensure all caster/wheel/fork/headtube fasteners are secure.
- Inspect tires for flat spots and wear.
- Ensure casters are free of debris.

Inspect/Adjust Weekly

- Seat is secured to wheelchair frame.
- Seat and/or back upholstery have no rips and do not sag. Replace if necessary.
- Seat release latch is not worn and is functional. Replace if necessary.
- Inspect tires for flat spots and wear.
- Ensure arm pivot points are not worn and/or loose. Replace if necessary.
- Ensure casters are free of debris.

Inspect/Adjust Monthly

- Ensure wheel mounting nuts are secure on drive wheels.
- Ensure no excessive side movement or binding occurs when drive wheels are lifted and spun when disengaged (freewheeling).
- Inspect caster assembly has proper tension when caster is spun. Caster should come to a gradual stop.
- Loosen/tighten caster locknut if wheel wobbles noticeably or binds to a stop.
- Ensure all caster/wheel/fork/headtube fasteners are secure.
- Inspect for any loose hardware on the wheelchair.
- Inspect seat positioning strap for any signs of wear. Ensure buckle latches. Verify hardware that attaches strap to frame is secure and undamaged. Replace if necessary.
- Ensure casters are free of debris.

Inspect/Adjust Periodically

- Ensure wheelchair rolls straight (no excessive drag or pull to one side).
- Ensure arms are secure but easy to release and adjustment levers engage properly.
- Ensure adjustable height arms operate and lock securely.
- Ensure arm pivot points are not worn and/or loose. Replace if necessary.
- Ensure armrest pads sit flush against arm.
- Ensure seat and/or back upholstery have no rips and do not sag. Replace if necessary.

- Ensure seat release latch is not worn. Replace if necessary.
- Clean upholstery and armrests.
- Inspect charger AC power cord for damage. Replace if necessary.
- Ensure casters are free of debris.
- Inspect electrical components for signs of corrosion. Replace if corroded or damaged.
- Check that all labels are present and legible. Replace if necessary.

Additional Requirements for M6I Wheelchairs

Inspect/Adjust Initially

- Make sure elevate operates smoothly and properly.
- Make sure elevate systems drive with reduced speed when seat is in elevated position.

Inspect/Adjust Monthly

- Make sure elevate operates smoothly and properly.
- Make sure elevate systems drive with reduced speed when seat is in elevated position.

Troubleshooting Guide

NOTE: For additional troubleshooting information and explanation of error codes, refer to the Electronics Manual supplied with each wheelchair.

All Wheelchairs

General Troubleshooting





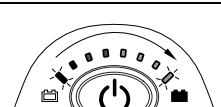
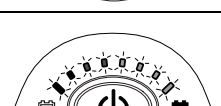
| SYMPTOM | PROBABLE CAUSE | SOLUTIONS |
|---|--|--|
| Limited driving distance. | Batteries not charged long enough. Batteries weak; wont hold charge. | Charge batteries overnight or ensure 8 hours of charge time between use. Ensure correct setting on charger. Replace Batteries. |
| Batteries not charging. | Charger not working. Battery connections loose. No current at wall outlet. Bad connection on charger, charger cable, plug or internal wiring problem. | Have charger replaced. Contact Dealer/Invacare. Check all connections. Secure connections. Switch to another wall outlet. Replace charger or internal repairs may be required. Contact Dealer/Invacare. |
| Batteries draw excessive current when charging. | Battery failure. | Have batteries checked for shorted cell. Replace if necessary. |

| SYMPTOM | PROBABLE CAUSE | SOLUTIONS |
|---|--|---|
| Charger indicator shows low charge level immediately after charging. | Batteries weak, wont hold charge. Electrical malfunction. Charger malfunction. | Replace Batteries. Contact Dealer/Invacare. Replace charger. Contact Dealer/Invacare. |
| Battery indicator flashes the charge level is low immediately after recharging. | Weak Batteries. Charger malfunction. Electrical malfunction | Replace batteries. Replace charger. Contact Dealer/Invacare. Contact Dealer/Invacare. |
| Wheelchair will not drive. | Motor release levers are disengaged. Batteries require charging. Charger plugged in. Circuit breaker tripped. | Engage motor release levers. Charge batteries. Make sure the setting on the charger is correct. Unplug charger from wall outlet before operating the wheelchair. Reset circuit breaker. If breaker trips again, it may indicate need for internal repair. Contact Dealer/Invacare. |
| Motor “chatters” or runs irregularly. | Electrical malfunction. | Contact Dealer/Invacare. |
| Only one drive wheel turns. | Electrical malfunction. One motor lock is disengaged. | Contact Dealer/Invacare for service. Engage motor lock. |
| Joystick erratic or does not respond as desired. | Electrical malfunction. Controller programmed improperly. | Contact Dealer/Invacare for service. Reprogram controller (Refer to electronics manual supplied with wheelchair). |
| Wheelchair does not respond to commands. | Poor battery terminal connection. | Have terminals cleaned. |
| Power indicator off - even after recharging. | Electrical malfunction. | Contact Dealer/Invacare for service. |

About Joystick Diagnostics

The joystick information gauge and the service indicator give indications of the type of fault or error detected by the control module. When a fault is detected, the wheelchair may stop and not drive. The LEDs on the information gauge may flash in a particular pattern or the service indicator light will flash. The number or type of flashes indicates the nature of the error. If multiple errors are found, only the first error encountered by the control module will be displayed.

Information Gauge Display Diagnostics

| DISPLAY | DESCRIPTION | DEFINITION | COMMENTS |
|--|--|---|---|
|  <p>Information Gauge Display</p> | | | |
|  | All LEDs are off. | Power is off. | |
|  | All LEDs are on. | Power is on. | Fewer than three LEDs on implies reduced battery charge. |
|  | Left RED LED is flashing. | Battery charge is low. | The batteries should be charged as soon as possible. |
|  | Left to Right “chase” alternating with steady display. | Joystick is in programming, inhibit and/or charging mode. | The steady LEDs indicate the current state of the battery charge. |
|  | All LEDs are flashing slowly. | Joystick has detected Out-of-Neutral-at-Power-Up mode. | Release the joystick back to Neutral. |

Service Indicator Light Diagnostics

| NUMBER OF FLASHES | ERROR CODE DESCRIPTION | POSSIBLE SOLUTION |
|-------------------|----------------------------------|--|
| 1 | User Fault | Release joystick to neutral and try again. |
| 2 | Battery Fault | Charge the batteries. Check that battery cables are connected properly. If necessary, replace batteries. |
| 3 | Left Motor Fault | Contact Invacare/Dealer for service. |
| 4 | Right Motor Fault | Contact Invacare/Dealer for service. |
| 5 | Left Park Brake Fault | Contact Invacare/Dealer for service. |
| 6 | Right Park Brake Fault | Contact Invacare/Dealer for service. |
| 7 | Remote Fault | Check to make sure joystick is connected properly. Contact Invacare/Dealer for service. |
| 8 | Controller Fault | Contact Invacare/Dealer for service. |
| 9 | Communications Fault | Contact Invacare/Dealer for service. |
| 10 | General Fault | Contact Invacare/Dealer for service. |
| 11 | Incompatible or incorrect Remote | Wrong type of remote connected. Contact Invacare/Dealer for service. |

Additional Troubleshooting Information for M6I Wheelchairs

| SYMPTOM | PROBABLE CAUSE | SOLUTIONS |
|---|-----------------------------|---|
| Wheelchair slows or stops while driving and the Seat Function I indicator is lit. | Elevating seat is elevated. | Return seat to its lowest position. Refer to Elevating the Seat on page 37. |

Checking Battery Charge Level

The following “Do’s” and “Don’ts” are provided for your convenience and safety.

| DO | DON'T |
|---|--|
| Read and understand this manual and any service information that accompanies a battery and charger before operating the wheelchair. | Don't perform any installation or maintenance without first reading this manual. |
| Move the wheelchair to a work area before opening battery box or installing service batteries. | Don't perform installation or maintenance of batteries in an area that could be damaged by battery spills. |
| Recharge as frequently as possible to maintain a high charge level and extend battery life. | Don't make it a habit to discharge batteries to the lowest level. |
| Follow recommendations in this manual when selecting a battery or charger. | Don't use randomly chosen batteries or chargers. |
| Fully charge new batteries before using. | Don't put new batteries into service before charging. |
| Use a carrying strap to remove, move or install a battery. | Don't tip or tilt batteries. |
| Push battery clamps on the terminals. Spread clamps wider if necessary. | Don't tap on clamps and terminals with tools. |
| Use ONLY a GEL charger for a GEL battery or “Sealed” battery. | Don't mismatch your battery and chargers. |

SECTION 6—WHEELCHAIR OPERATION

⚠ WARNING

After any adjustments, repair or service and before use, make sure that all attaching hardware is tightened securely - otherwise injury or damage may result.

Set-up/programming of the Electronic Control Unit is to be performed only by a qualified technician. The final adjustments of the controller may affect other activities of the wheelchair. Damage to the equipment could occur under these circumstances. If unqualified individuals perform any work on these units, the warranty is void.

Operating the Wheelchair

Turning the Power On/Off

NOTE: For this procedure, refer to FIGURE 6.1.

1. To turn the power On, press the On/Off button.
2. Turning the power Off can be achieved by pressing the On/Off button.

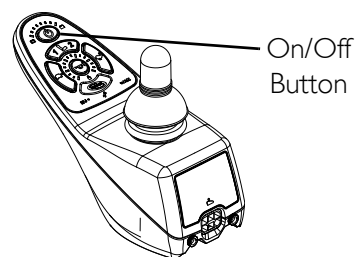


FIGURE 6.1 Turning the Power On/Off

Using the Joystick to Drive the Wheelchair

⚠ WARNING

DO NOT operate wheelchair on an incline while in an elevated position. Otherwise, the wheelchair may tip over and injury or damage may occur.

NOTE: For this procedure, refer to FIGURE 6.2.

The joystick is located on the joystick housing and provides smooth control of speed and direction. It is equipped with 360 degrees of mobility for ease of operation. The joystick is spring-loaded, and automatically returns to the upright (neutral) position when released. Pushing the joystick in a given direction causes the wheelchair to move in that direction.

The joystick has proportional drive control, meaning that the further it is pushed from the upright (neutral) position, the faster the wheelchair moves. The maximum speed, however, is limited by the setting of the speed-control knob.

To slow the wheelchair to a stop, simply release the joystick. The wheelchair has automatic speed and direction compensation to minimize corrections.

When first learning to drive, select a slow speed and try to drive the wheelchair as slowly as possible by pushing the joystick slightly forward. This exercise will help you learn to utilize the full potential of the proportional control and allow you to start and stop smoothly.

To drive the wheelchair, perform the following:

1. Adjust speed control knob to the appropriate setting.
2. Turn the power On. Refer to Turning the Power On/Off on page 35.
3. Maneuver the joystick in the following manner:

| MOVEMENT | ACTION |
|------------|--|
| FORWARD | Push joystick forward, towards the front of the wheelchair. |
| REVERSE | Pull joystick back, towards the rear of the wheelchair. |
| Turn RIGHT | Move joystick toward the right side of the wheelchair. |
| Turn LEFT | Move joystick toward the left side of the wheelchair. |
| STOP | Release the joystick and the wheelchair will slow to a stop. |

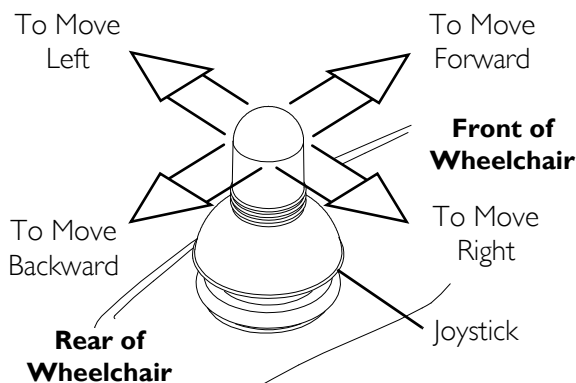


FIGURE 6.2 Using the Joystick to Drive the Wheelchair

NOTE: For specific information about the joystick installed on the wheelchair, refer to SPJ+ and SPJ+ w/ACC Joystick Switches and Indicators on page 39.

Adjusting the Speed

NOTE: For this procedure, refer to FIGURE 6.3.

1. Perform one of the following:
 - Adjust Speed in 20% Increments (5 Speed Mode) - Press the tortoise button (🐢) or hare button (🐇) to decrease/increase the speed in 20% increments. The larger bars in the speedometer will light.
 - Adjust Speed in Smaller Increments (VSP Mode) - Perform the following steps:
 - i. Press and hold both the tortoise button (🐢) and hare button (🐇) until the joystick beeps.
 - ii. Perform one of the following:
 - Press the tortoise button (🐢) or hare button (🐇) to decrease/increase the speed in 20% increments. The larger bars in the speedometer will light.
 - Press and hold the tortoise button (🐢) or hare button (🐇) to decrease/increase the speed in smaller increments. The smaller bars in the speedometer will light.

NOTE: SPJ™+ w/ACC joystick shown. SPJ+ joystick works the same way.

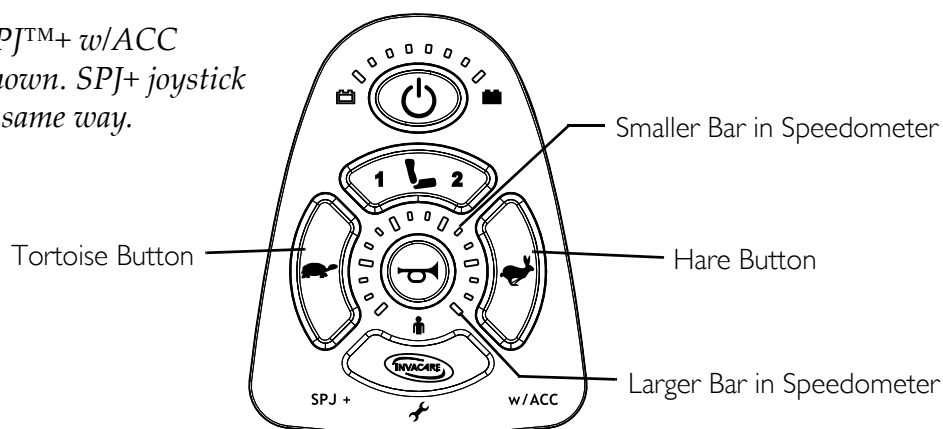


FIGURE 6.3 Adjusting the Speed

Using the Horn

NOTE: For this procedure, refer to FIGURE 6.4.

1. Press the horn button located in the center of the speed indicator. The horn will sound for as long as the button is pressed.

NOTE: SPJ+ w/ACC joystick shown. SPJ+ joystick works the same way.

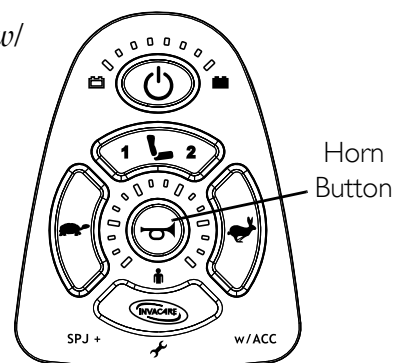


FIGURE 6.4 Using the Horn

Elevating the Seat

⚠ WARNING

DO NOT operate wheelchair on an incline while in an elevated position. Otherwise, the wheelchair may tip over and injury or damage may occur.

DO NOT operate the elevate function near or under a fixed object such as a table or desk.

Use only the **MK660 w/ACC** controller to activate the elevate function. **DO NOT** use any other actuator controls. Such devices may result in excess heating and cause damage to the actuator and associated wiring and could cause a fire, death, physical injury or property damage. If such devices are used, Invacare shall not be liable and the limited warranty is void.

The elevated seat option is equipped with a speed reduction safety mechanism. While the seat is in an elevated position, the safety feature slows the speed of the wheelchair by 80%. If the wheelchair operates at maximum speed while in an elevated position, **DO NOT** operate the wheelchair. Have the wheelchair serviced immediately by a qualified technician.

NOTE: For this procedure, refer to FIGURE 6.5 on page 38.

NOTE: This procedure applies to M61 wheelchairs only.

1. Make sure the wheelchair is on a level surface.
2. Press the mode button to switch from driving mode to elevate mode.

NOTE: The LED will light up with a circle around it.

3. Move the joystick:
 - Forward - Elevates the seat.
 - Backward - Lowers the seat.

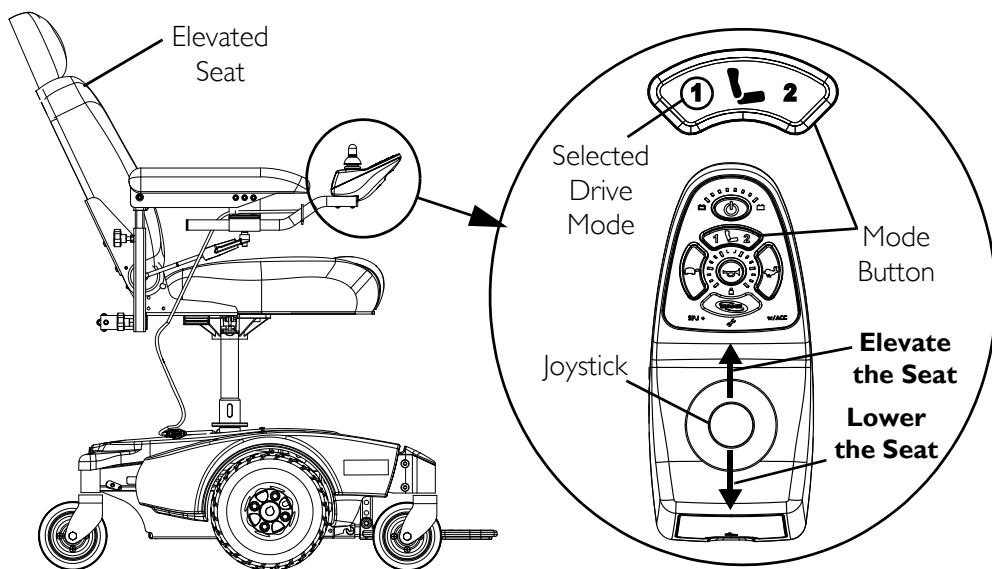


FIGURE 6.5 Elevating the Seat

SPJ+ and SPJ+ w/ACC Joystick Switches and Indicators

NOTE: For the following information, refer to FIGURE 6.6.

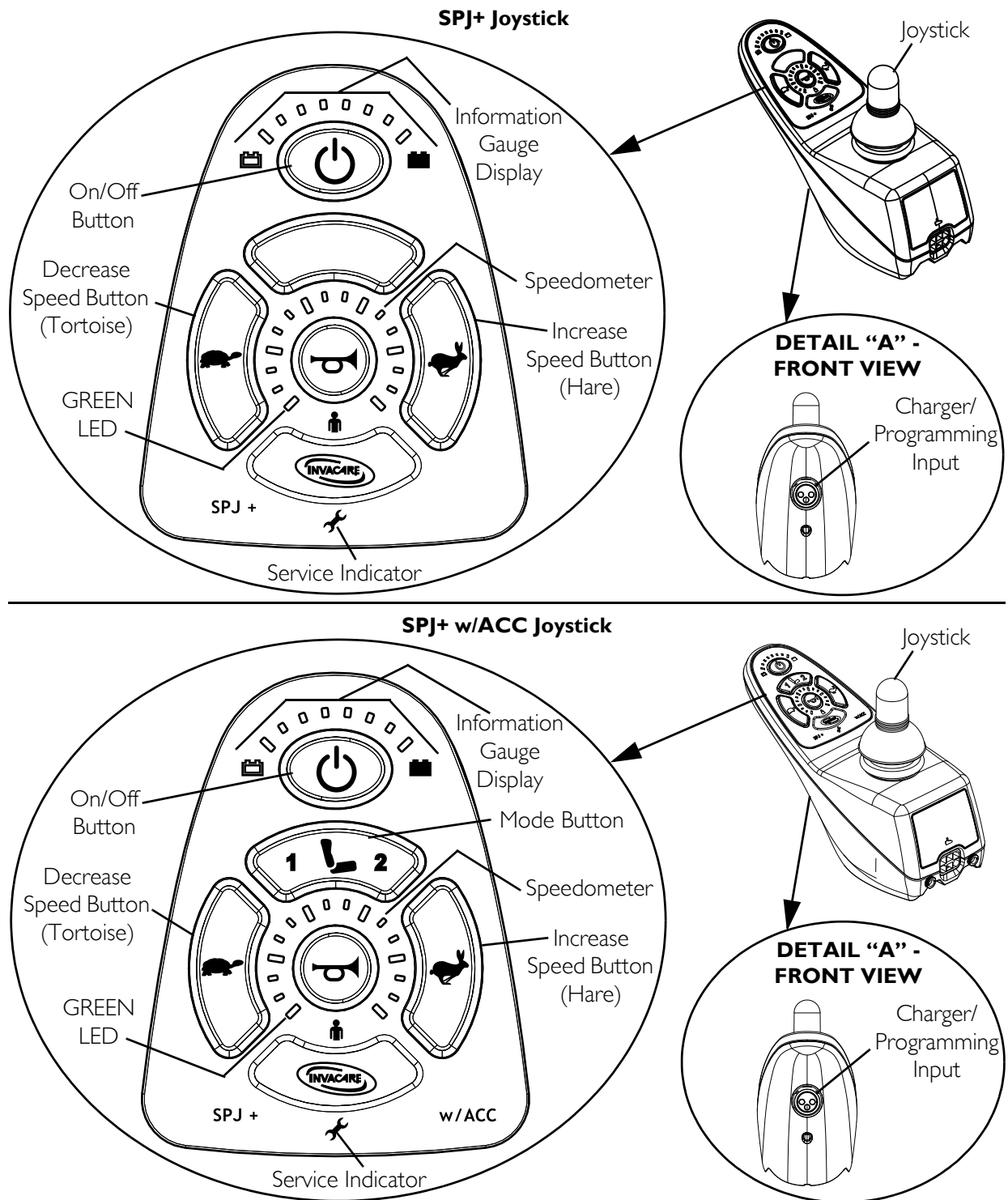


FIGURE 6.6 SPJ+ and SPJ+ w/ACC Joystick Switches and Indicators

On/Off Button

This button is located at the front of the joystick housing. It is used to turn the wheelchair on and off, to remove the joystick from sleep mode (if programmed) and to lock or unlock the joystick (if programmed).

Speedometer

The speedometer is used to show the maximum speed. The right-most LED indicates current maximum speed setting. The bottom left GREEN LED flashes to indicate that the joystick is in speed limit mode. Speed limit mode limits the drive speed to a pre-programmed value, typically when the seat has been elevated and the wheelchair is required to drive at 20% speed.

Speed Control Buttons

The speed control buttons (tortoise button (🐢) and hare button (🐇)) are used to set and adjust the maximum speed.

1. To adjust the speed, perform one of the following:
 - Adjust Speed in 20% Increments (5 Speed Mode) - Press the tortoise button (🐢) or hare button (🐇) to decrease/increase the speed in 20% increments. The larger bars in the speedometer will light.
 - Adjust Speed in Smaller Increments (VSP Mode) - Perform the following steps:
 - i. Press and hold both the tortoise button (🐢) and hare button (🐇) until the joystick beeps.
 - ii. Perform one of the following:
 - Press the tortoise button (🐢) or hare button (🐇) to decrease/increase the speed in 20% increments. The larger bars in the speedometer will light.
 - Press and hold the tortoise button (🐢) or hare button (🐇) to decrease/increase the speed in smaller increments. The smaller bars in the speedometer will light.

Mode Button

NOTE: The mode button is present on the SPJ+ w/ACC joystick only.

Press the mode button to switch from driving mode to elevate mode. Refer to [Elevating the Seat](#) on page 37.

Joystick

The joystick has proportional drive control, meaning that further the joystick is pushed from the upright (neutral) position, the faster the wheelchair or seat moves. Your top speed, however, is limited by the programmed settings.

To slow the wheelchair to a stop, simply release the joystick. The wheelchair has automatic speed and direction compensation to minimize corrections.

Charger/Programming Input

The charger/programming input is located at the front of the joystick housing. This provides easy access for charging the wheelchair batteries. This port also serves as the Remote Programmer Communication connection. Driving is prevented while the system is charging.

Service Indicator

The AMBER service indicator will light when an error or fault occurs. Refer to [Service Indicator Light Diagnostics](#) on page 33 for a listing of the flash codes and what they indicate.

Information Gauge Display

Located on the front of the joystick housing, it provides the following information to the user on the status of the wheelchair -

1. Power is on.
2. True state-of-battery-charge, including notification of when the battery requires charging:
 - A. GREEN LEDs are lit, indicating well charged batteries.
 - B. AMBER LEDs are lit, indicating batteries are moderately charged. Recharge batteries before taking a long trip.
 - C. RED LEDs are lit, indicating batteries are running out of charge. Recharge batteries as soon as possible.

The Information Gauge display also serves as a system diagnostic device when a fault is detected by the control module. A specific number of flashes of the LEDs indicate the type of fault detected. Refer to [Information Gauge Display Diagnostics](#) on page 33 for the diagnostic indications of the wheelchair status.

SECTION 7—ARMS

⚠ WARNING

After any adjustments, repair or service and before use, make sure that all attaching hardware is tightened securely - otherwise injury or damage may result.

Before performing any maintenance, adjustment or service verify that On/Off switch on the joystick is in the Off position.

Removing/Installing the Arms

⚠ WARNING

Increasing the width of the arms may affect the overall width of the wheelchair. Ensure that there is enough clearance when attempting to pass through doorways or other tight spaces, otherwise serious injury or damage may result.

NOTE: For this procedure, refer to FIGURE 7.1.

NOTE: Reverse this procedure to install the arms.

1. Loosen lock knob that secures the arm to the arm support tube.
2. Remove the arm from the arm support tube.
3. If necessary, repeat STEPS 1-2 to remove the other arm.

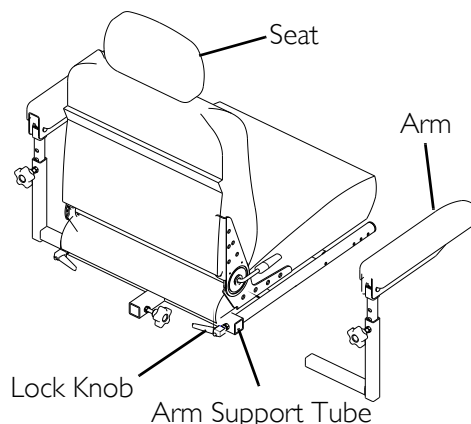


FIGURE 7.1 Removing/Installing the Arms

Adjusting the Arms

Adjusting Width

NOTE: For this procedure, refer to FIGURE 7.2.

1. Loosen the two lock knobs that secure the arms to the arm support tube.

NOTE: Both arms should be adjusted to the same distance away from the arm support tube.

NOTE: Changing the width of the arms may also affect the overall width of the wheelchair.

2. Reposition the arms until desired width is achieved.
3. Securely tighten the two lock knobs that secure the arms to the arm support tube.

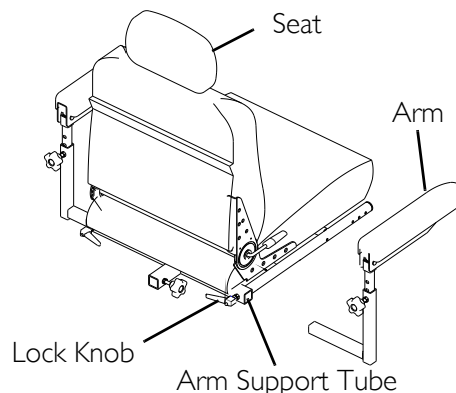


FIGURE 7.2 Adjusting Width

Adjusting Angle

NOTE: For this procedure, refer to FIGURE 7.3.

⚠ WARNING

Pinch point may occur when adjusting the arm angle position.

1. Lift up the armrest.
2. Loosen the jam nut.
3. Adjust the socket screw up or down to the desired arm angle position.
4. Tighten the jam nut.
5. To determine the same angle for the opposite armrest, count the exposed threads after the jam nut has been tightened.

6. Repeat STEPS 1-5 for opposite armrest, if necessary.

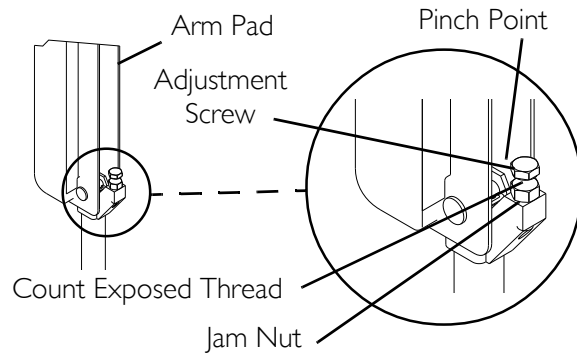


FIGURE 7.3 Adjusting Angle

Adjusting Height

NOTE: For this procedure, refer to FIGURE 7.4.

1. Remove the socket screw that secures the armrest to the seat frame assembly.
2. Adjust the armrest to one of four positions.
3. Reinstall the socket screw that secures the armrest to the seat frame assembly and tighten securely.

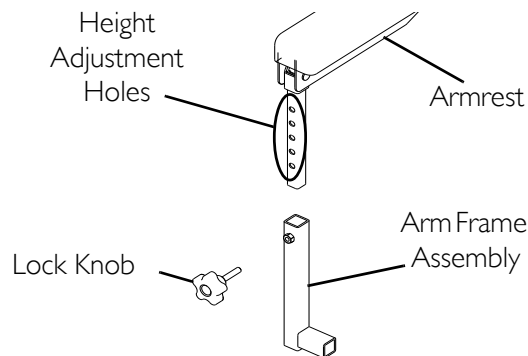


FIGURE 7.4 Adjusting Height

Installing/Removing Flip Back Armrests

⚠ WARNING

Make sure the flip back armrest release and height adjustment levers are in the locked position before using the wheelchair.

NOTE: For this procedure, refer to FIGURE 7.5 on page 44.

NOTE: Flip back armrest release lever must be in unlocked position when placing armrest into the arm sockets.

Installing

1. Slide the flip back armrest into the arm sockets on the wheelchair frame.
2. Install the quick release pin through the rear arm socket and flip back armrest.
3. Lock flip back armrest by pressing flip back armrest release lever into the locked (vertical) position.
4. Lift up on flip back armrest to make sure the armrest is locked in place.
5. Repeat STEPS 1-4 for opposite flip back armrest.

Removing

1. Unlock flip back armrest by pulling flip back armrest release lever into the unlocked (horizontal) position.
2. Remove the quick release pin that secures the flip back armrest to the wheelchair frame.
3. Pull up on the flip back armrest and remove the armrest from the arm sockets.
4. Repeat STEPS 1-3 for the opposite flip back armrest, if necessary.

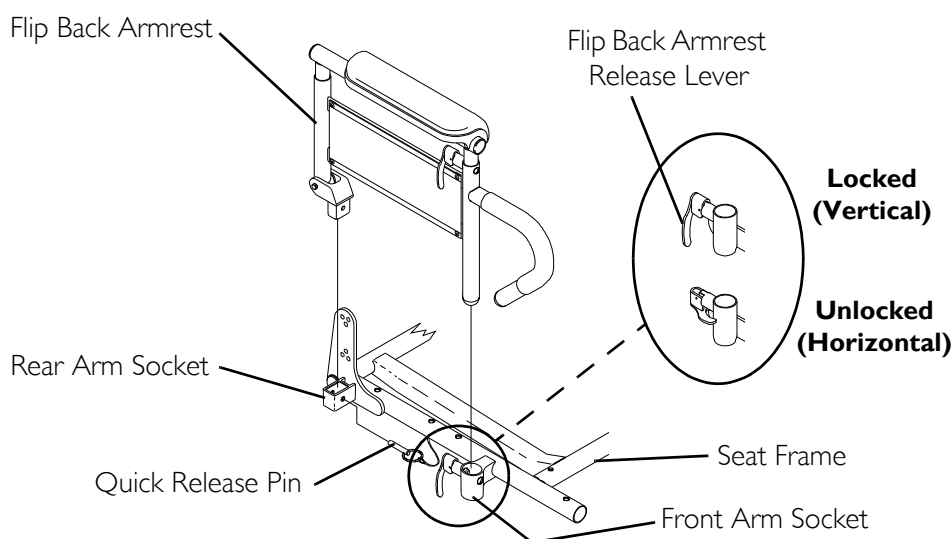


FIGURE 7.5 Installing/Removing Flip Back Armrests

Positioning/Adjusting Flip Back Armrests

NOTE: For this procedure, refer to FIGURE 7.6 on page 45.

Positioning Flip Back Armrests for User Transfer

1. Unlock the flip back armrest by pulling the armrest release lever into the up (horizontal) position.
2. Pull up on the flip back armrest and remove the armrest from the front arm socket.
3. Continue to pull up on the flip back armrest until the armrest is out of the way.
4. Repeat STEPS 1-3 for opposite flip back armrest, if necessary.

Positioning Flip Back Armrests for Use

1. Make sure the flip back armrest release lever is in the up (horizontal) position.
2. Install the flip back armrest into the front arm socket.
3. Lock flip back armrest by pressing flip back armrest release lever into the down (vertical) position.
4. Lift up on flip back armrest to make sure the armrest is locked in place.
5. Repeat STEPS 1-4 for opposite flip back armrest, if necessary.

Adjusting Height

1. Unlock top of flip back armrest by pulling height adjustment lever into the up (horizontal) position.
2. Adjust top of the flip back armrest to the desired height.
3. Lock top of flip back armrest by pushing height adjustment lever into the down (vertical) position.
4. Lift up on flip back armrest to make sure the armrest is locked in place.
5. Repeat STEPS 1-4 for opposite flip back armrest, if necessary.

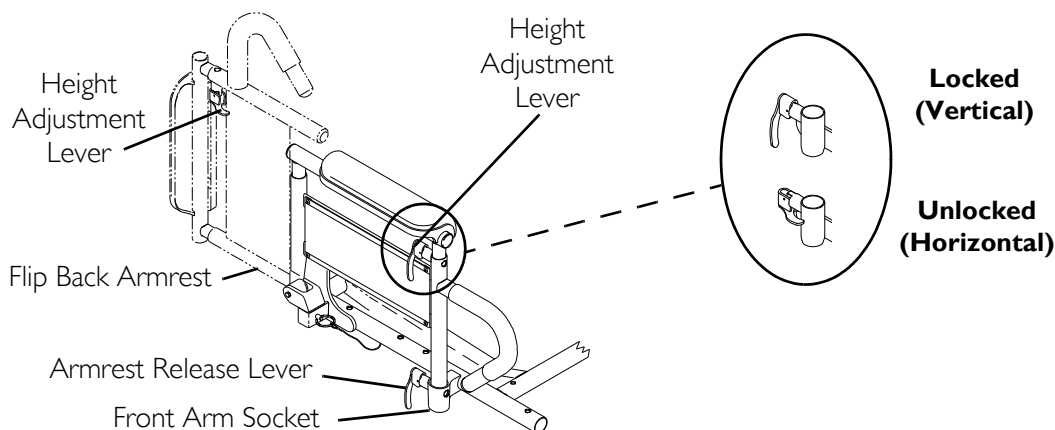


FIGURE 7.6 Positioning/Adjusting Flip Back Armrests

SECTION 8—SEAT

⚠ WARNING

After any adjustments, repair or service and before use, make sure that all attaching hardware is tightened securely - otherwise injury or damage may result.

Before performing any maintenance, adjustment or service verify that On/Off switch on the joystick is in the Off position.

Adjusting the Back Angle

Semi-Recline Back Angle

NOTE: For this procedure, refer to FIGURE 8.1.

1. Lift up on the release handle and adjust seat to desired angle.
2. Let go of the release handle to lock the back in position.

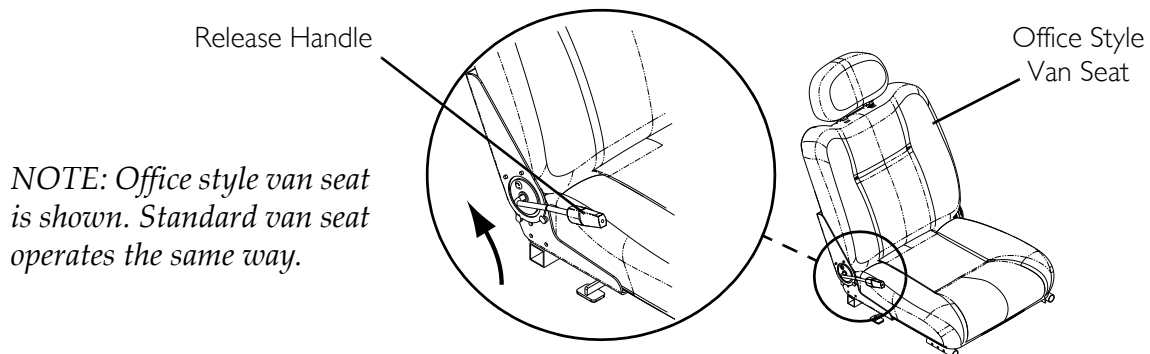


FIGURE 8.1 Adjusting the Back Angle - Semi-Recline Back Angle

Fold Down Back Angle

NOTE: For this procedure, refer to FIGURE 8.2 on page 47.

1. Remove the two shoulder bolts and locknuts from the seat hinges on either side of the seat.
2. Select one of the four back angle positions as shown in Detail "A" of FIGURE 8.2 on page 47.
3. Reinstall and tighten the two shoulder bolts and locknuts through the desired back angle setting on each seat hinge.

NOTE: Both seat hinges should be set to the same back angle setting.

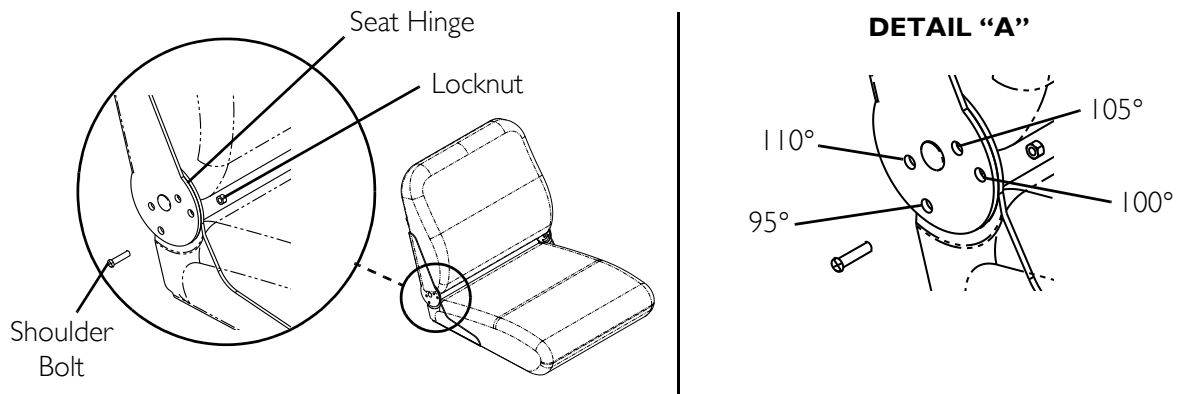


FIGURE 8.2 Adjusting the Back Angle - Fold Down Back Angle

Adjusting the Headrest (Semi-Recline Only)

NOTE: For this procedure, refer to FIGURE 8.3.

1. To raise the headrest, lift the headrest up to the desired position.
2. To lower the headrest, push the release tab towards the front of the wheelchair. Lower the headrest to the desired position.

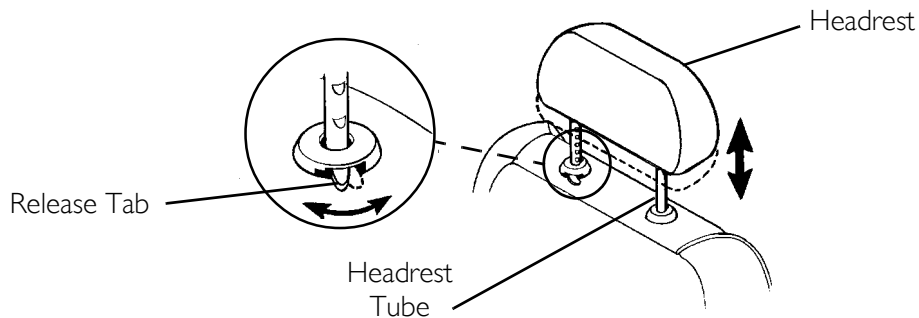


FIGURE 8.3 Adjusting the Headrest (Semi-Recline Only)

Removing/Installing the Seat Assembly

NOTE: For this procedure, refer to FIGURE 8.4.

Removing

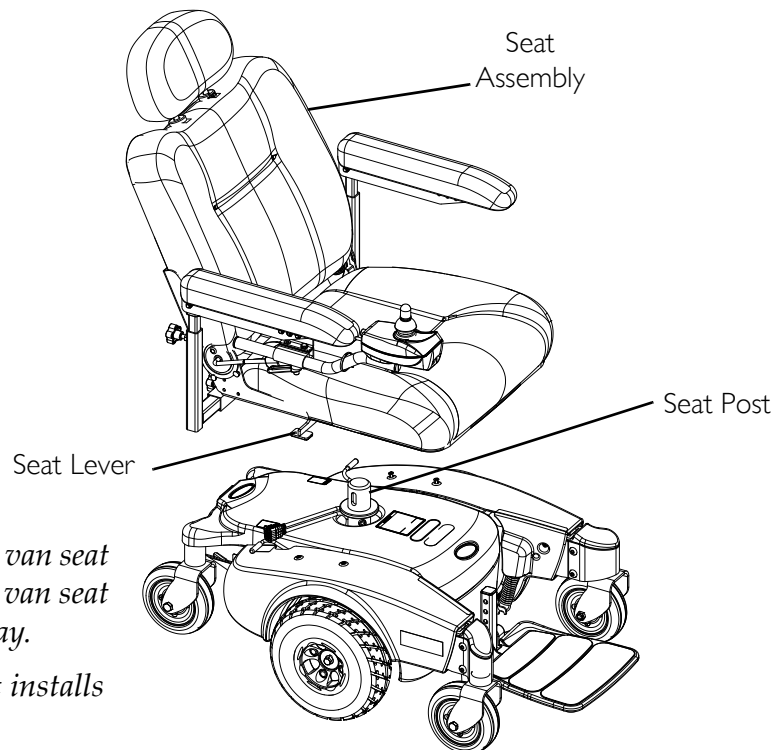
1. Disconnect the joystick. Refer to Disconnecting/Connecting the Joystick on page 80.
2. Fold down the seat back.
3. Pull the seat lever up and lift the seat assembly up and away from the seat post.

Installing

1. Align the seat pivot with the seat post
2. Pull the seat lever up and lower the seat assembly on the seat post.

NOTE: If necessary, slightly twist seat assembly back and forth to lock it in place.

3. Release the seat lever.
4. Pull the seat assembly up to ensure that it is locked in place.
5. Connect the joystick. Refer to Disconnecting/Connecting the Joystick on page 80.



NOTE: Office style van seat is shown. Standard van seat installs the same way.

NOTE: ASBA Seat installs the same way.

FIGURE 8.4 Removing/Installing the Seat Assembly

Replacing the Seat Positioning Strap

⚠ DANGER

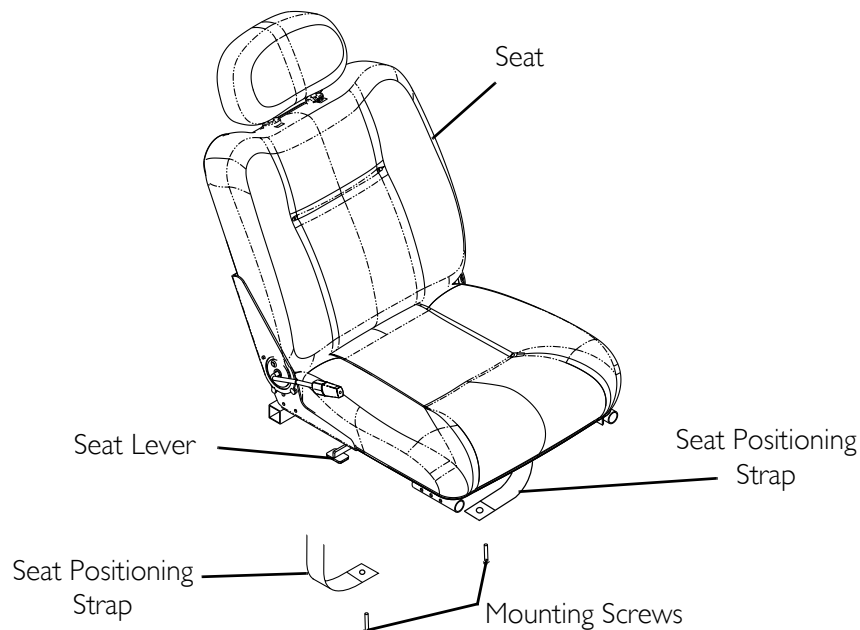
Not wearing your seat positioning strap could result in death or serious injury.

ALWAYS wear your seat positioning strap. Your seat positioning strap helps reduce the possibility of a fall from the wheelchair. The seat positioning strap is a positioning belt only. It is not designed for use as a safety device withstanding high stress loads such as auto or aircraft safety belts. If signs of wear appear, seat positioning strap **MUST** be replaced **IMMEDIATELY**.

Van Seat

NOTE: For this procedure, refer to FIGURE 8.5.

1. Remove the two mounting screws that secure the seat positioning straps to the seat frame.
2. Remove the two halves of the seat positioning strap from the rear seat frame.
3. Reposition the two new seat positioning strap halves underneath seat rails.
4. Reinstall the two mounting screws that secure the seat positioning straps to the seat frame. Securely tighten.



NOTE: Office style van seat is shown. Standard van seat adjusts the same way.

FIGURE 8.5 Replacing the Seat Positioning Strap - Van Seat

ASBA Seat

NOTE: For this procedure, refer to FIGURE 8.6.

NOTE: This procedure is for Adjustable Seat Back Angle (ASBA) seats only.

1. Remove the seat cushion from the seat pan.
2. Move the flip back armrests out of the way. Refer to Positioning/Adjusting Flip Back Armrests on page 45.
3. Remove the two mounting screws, quick release pin tabs, spacers, and locknuts that secure the seat pan and seat positioning straps to the seat frame.
4. Remove the two halves of the seat positioning strap from the rear seat frame.
5. Reposition the two new seat positioning strap halves underneath seat rails.
6. Reinstall the two mounting screws, quick release pin tabs, spacers, and locknuts that secure the seat pan and seat positioning straps to the seat frame and torque to 75 inch-pounds.
7. Reinstall the seat cushion onto the seat pan.

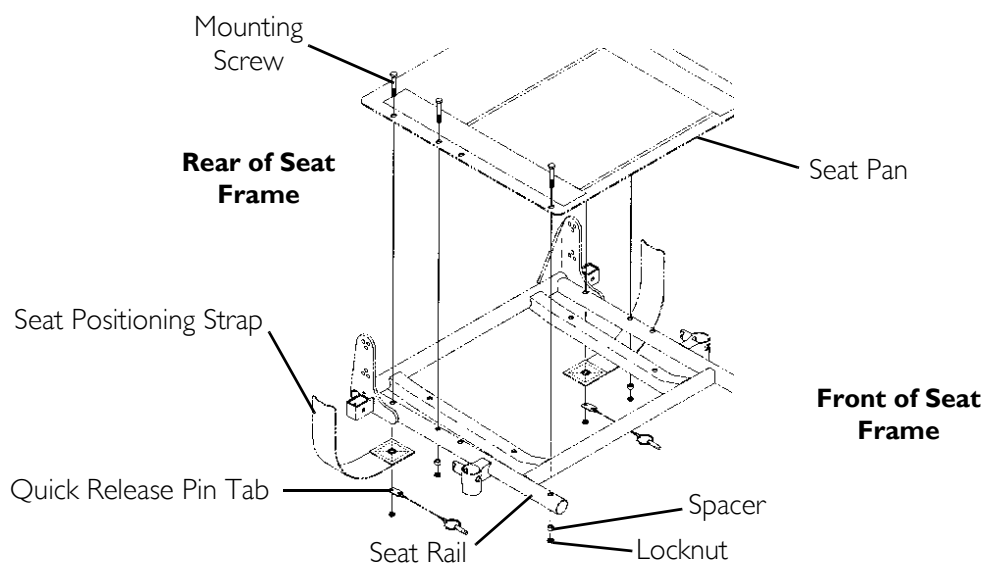


FIGURE 8.6 Replacing the Seat Positioning Strap - ASBA Seat

SECTION 9—FOOTBOARD ASSEMBLY

⚠ WARNING

After any adjustments, repair or service and before use, make sure that all attaching hardware is tightened securely - otherwise injury or damage may result.

Before performing any maintenance, adjustment or service verify that On/Off switch on the joystick is in the Off position.

DO NOT stand on the flip-up footboard. When getting in or out of the wheelchair, make sure that the flip-up footboard is in the upward position.

Limited Clearance Between Footboard and Caster - The user's feet **MUST** remain on the footboard while operating the chair. If the user's feet are allowed to rest off the side of the footboard they may come in contact with the caster possibly resulting in injury.

Removing/Installing the Footboard Assembly

⚠ WARNING

Pinch point may occur when rotating the footboard assembly.

NOTE: For this procedure, refer to FIGURE 9.1 on page 52.

Removing

1. Remove the quick release pin that secures the footboard assembly to the wheelchair frame by depressing the button while sliding the pin out.
2. Remove the footboard assembly from the wheelchair frame.

Installing

⚠ WARNING

Make sure the detent balls of the quick-release pin are fully released beyond the outer edge of the tube before operating the wheelchair. Otherwise, injury and/or damage may result.

Keep detent balls clean.

1. Position the footboard assembly onto the wheelchair frame so that the mounting hole in the wheelchair frame aligns with the desired mounting hole in the footboard assembly.
2. Install the quick release pin by depressing the button while sliding the pin in. Ensure that the detent balls of the quick release pin are fully released beyond the outer edge of the tube (Detail "A" of FIGURE 9.1).

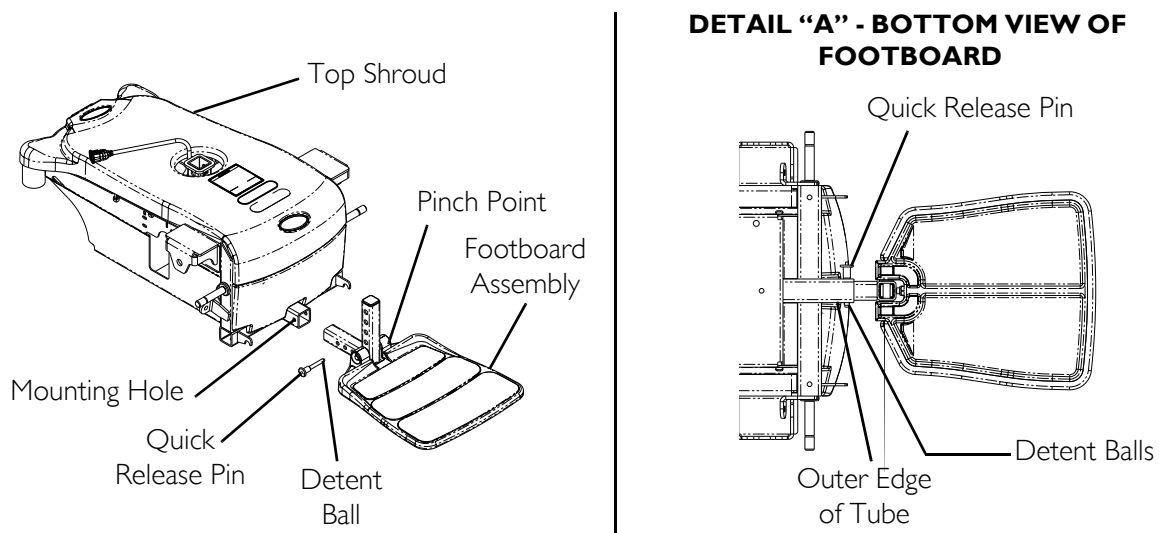


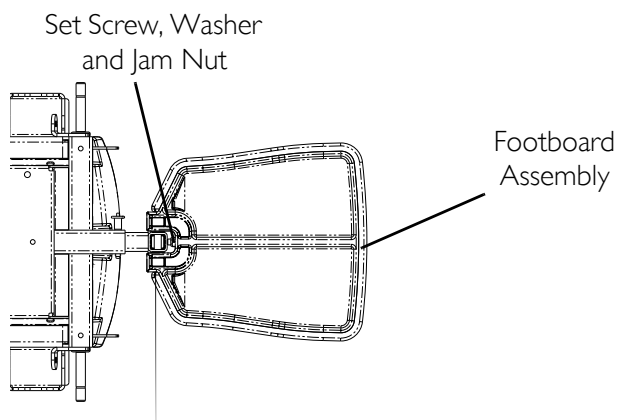
FIGURE 9.1 Removing/Installing the Footboard Assembly

Adjusting the Footboard Assembly

Angle

NOTE: For this procedure, refer to FIGURE 9.2 on page 53.

1. Loosen the jam nut and set screw located underneath on the backside of the footplate.
2. Adjust the set screw in or out to obtain the desired footboard assembly angle.
3. Thread the jam nut and washer inward until it is flush with the footboard bracket.
4. Securely tighten the jam nut and washer to secure the mounting screw in place.

**Bottom View of
Footboard****FIGURE 9.2** Adjusting the Footboard Assembly - Angle

Depth

NOTE: For this procedure, refer to FIGURE 9.3.

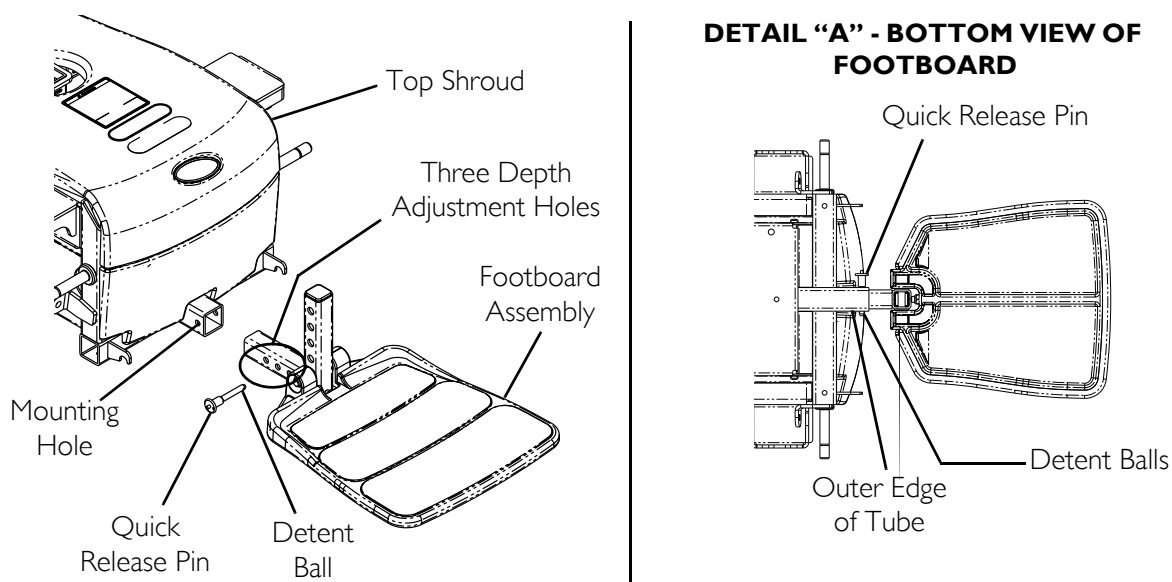
1. Remove the quick release pin that secures the footboard assembly to the wheelchair frame.

⚠ WARNING

Make sure the detent balls of the quick-release pin are fully released and beyond the outer edge of the tube before operating the wheelchair. Otherwise, injury and/or damage may result.

Keep detent balls clean.

2. Adjust footboard to one of three mounting positions.
3. Install the quick release pin. Make sure the detent balls of the quick-release pin are fully released and beyond the outer edge of the tube (Detail "A").

**FIGURE 9.3** Adjusting the Footboard Assembly - Depth

SECTION 10—FRONT RIGGINGS

⚠ WARNING

After any adjustments, repair or service and before use, make sure that all attaching hardware is tightened securely - otherwise injury or damage may result.

DO NOT stand on the front riggings, otherwise damage may occur. When getting in or out of the wheelchair, make sure that the footplates on the front riggings are in the upward position or moved out of the way.

While the wheelchair is moving, minimum ground clearance for the front rigging is three inches. If the wheelchair is not moving, the front rigging **MUST** maintain a minimum of one inch ground clearance - otherwise personal injury and damage may result.

Before performing any maintenance, adjustment or service verify that On/Off switch on the joystick is in the **Off** position.

Installing/Removing Front Riggings

CAUTION

If front riggings are used, then the seat **MUST** be adjusted to the highest mounting position - otherwise damage may occur.

NOTE: For this procedure, refer to FIGURE 10.1.

Installing

1. If necessary, remove the footboard. Refer to [Removing/Installing the Footboard Assembly](#) on page 51.
2. Turn front rigging to the side (open footplate is perpendicular to wheelchair) and position mounting holes in the front rigging hinge plates with hinge pins on the wheelchair frame.
3. Install the front rigging hinge plates onto the hinge pins on the wheelchair frame.
4. Push the front rigging towards the inside of the wheelchair until it locks into place.

NOTE: The footplate will be on the inside of the wheelchair when locked in place.

5. Repeat STEPS 1-4 for opposite side of wheelchair.

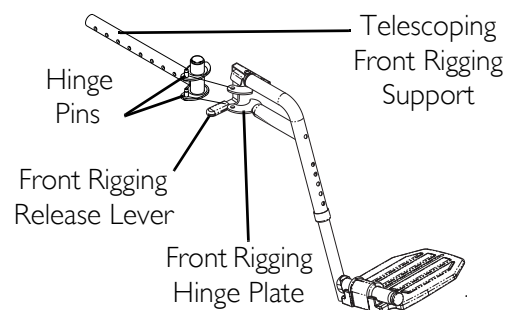


FIGURE 10.1 Installing/Removing Front Riggings

Removing

1. Push the front rigging release lever inward and rotate the footrest out.
2. Lift up on front rigging and remove from the wheelchair.
3. Repeat STEPS 1-2 for opposite side of wheelchair.

Adjusting Footrest Height

Model PHWH93

NOTE: For this procedure, refer to FIGURE 10.2.

1. Remove any accessories from the footrest(s).
2. Remove the footrest from the wheelchair. Refer to [Installing/Removing Front Riggings](#) on page 54.

NOTE: Lay footrest on a flat surface to simplify section.

3. Remove the hex bolt, coved washers and locknut that secure the lower footrest to the footrest support.
4. Reposition the lower footrest to the desired height.
5. Reinstall hex bolt, coved washers and locknut that secure lower footrest to footrest support. Tighten securely.
6. Repeat STEPS 1-5 for the opposite side of the wheelchair footrest, if necessary.
7. Reinstall the footrest(s) onto the wheelchair. Refer to [Installing/Removing Front Riggings](#) on page 54.
8. Reinstall any accessories onto the footrest(s).

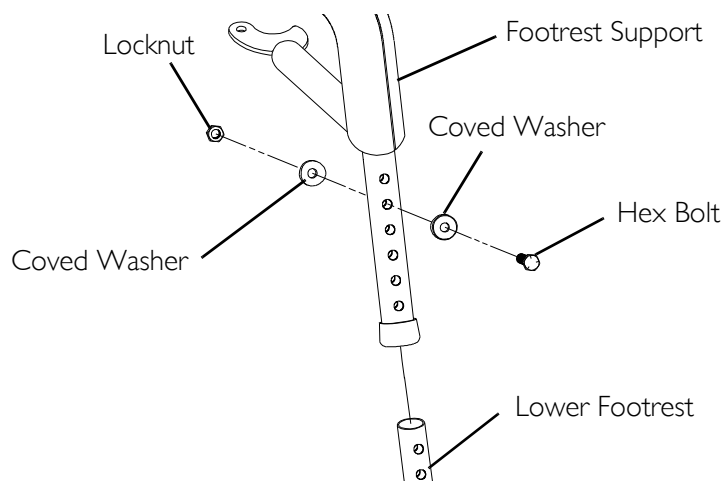


FIGURE 10.2 Adjusting Footrest Height - Model PHWH93

Model PH904A and PHAL4A

NOTE: For this procedure, refer to FIGURE 10.3.

NOTE: PH904A style front rigging shown. PHAL4A front rigging adjust the same way.

1. Loosen, but do not remove the lug bolt and locknut that secure the lower footrest to the footrest support.
2. Reposition the lower footrest to the desired height.
3. Securely tighten the lug bolt and locknut that secure the lower footrest to the footrest support.
4. Repeat STEPS 1-3 for the opposite side of the wheelchair footrest, if necessary.

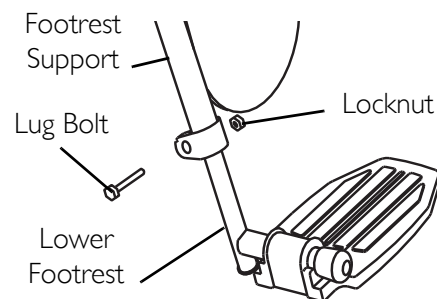


FIGURE 10.3 Adjusting Footrest Height - Model PH904A and PHAL4A

Replacing Heel Loops

NOTE: For this procedure, refer to FIGURE 10.4.

1. Note the position of hex bolt, covered washers and locknut for reinstallation.
2. Remove the hex bolt, covered washers and locknut that secure the lower footrest to the footrest support.
3. Remove the lower footrest.
4. Remove the phillips bolt, spacer and locknut that secure the existing heel loop to the lower footrest.
5. Slide the existing heel loop off the lower footrest.
6. Replace heel loop.
7. Reverse STEPS 1-6 to reassemble.

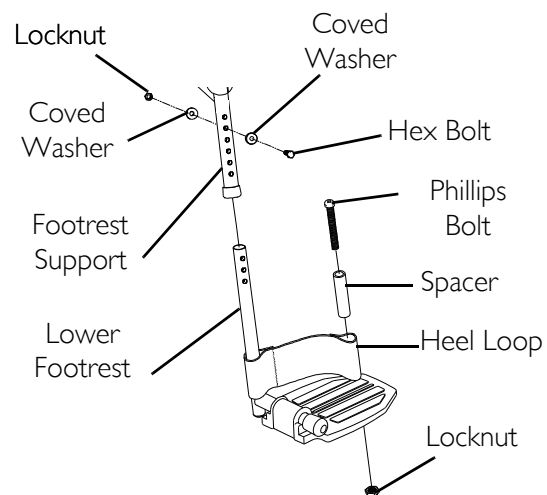


FIGURE 10.4 Replacing Heel Loops

NOTE: When securing heel loop to lower footrest, tighten the phillips screw and locknut until the spacer is secure.

Raising/Lowering Elevating Front Riggings

NOTE: For this procedure, refer to FIGURE 10.5.

1. Perform one of the following:
 - Raising - Pull back on the release lever and raise front rigging to the desired height.
 - Lowering - Support front rigging with one hand away from the release lever. Push release lever downward with other hand.

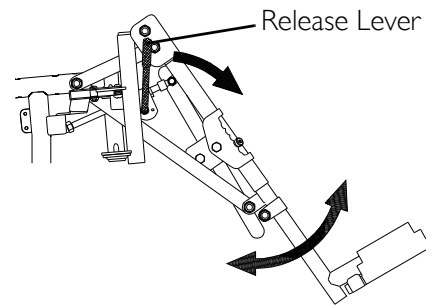


FIGURE 10.5 Raising/Lowering Elevating Front Riggings

Adjusting/Replacing Telescoping Front Rigging Supports

Office Style Seat

NOTE: For this procedure, refer to FIGURE 10.6 on page 58.

NOTE: When adjusting the telescoping front rigging support depth, ensure the footplate does not interfere with the caster wheel rotation.

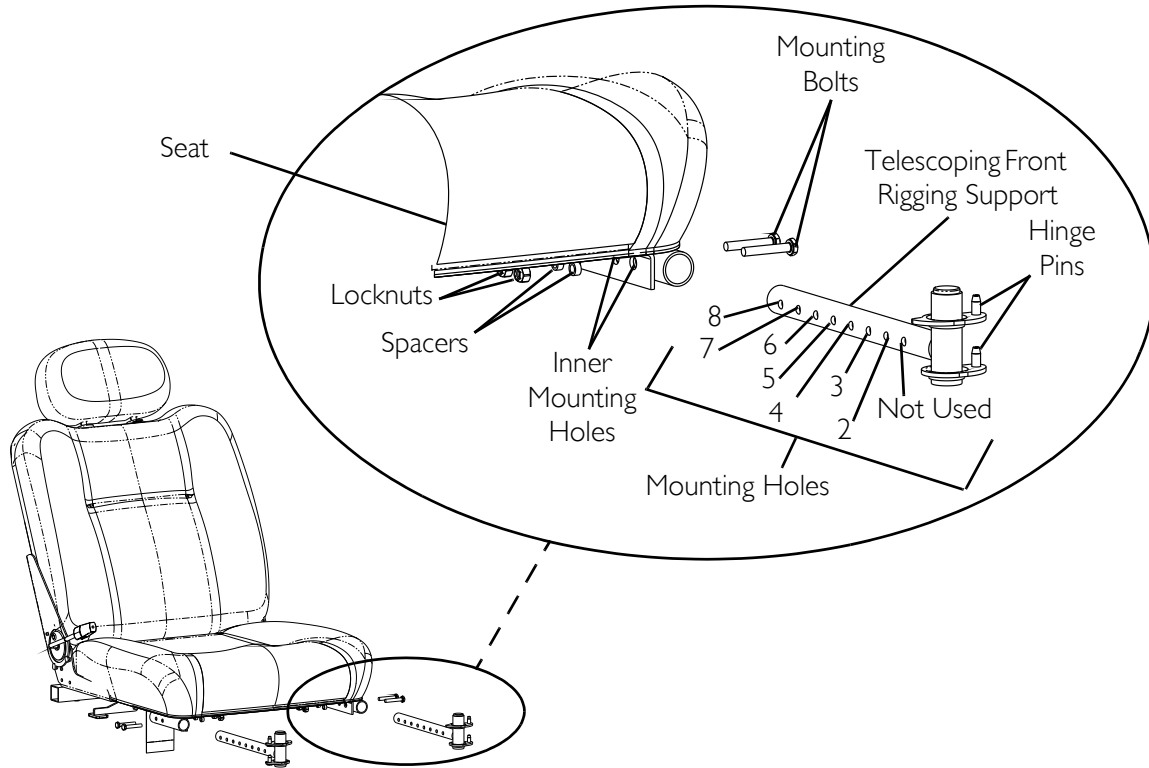
NOTE: Telescoping front rigging supports may be extended up to 2 inches from the wheelchair frame in 1-inch increments. This adjustment does not affect seat depth.

NOTE: When installing the front riggings support tubes, ensure that the hinge pins are on the outside of the chair facing away from the seat frame.

1. Remove the seat. Refer to [Removing/Installing the Seat Assembly](#) on page 48.
2. Remove the two socket bolts and locknuts that secure telescoping front rigging support to the seat frame.
3. Perform one of the following:
 - Adjusting - Align the appropriate mounting hole of the telescoping front rigging support with the front mounting hole in the seat frame tubes to achieve the desired depth as shown in FIGURE 10.6.
 - Replacing -
 - i. Remove the existing telescoping front rigging support from the wheelchair frame.
 - ii. Insert the new telescoping front rigging support into the seat frame.
 - iii. Align the appropriate mounting hole of the telescoping front rigging support with the front mounting hole in the seat frame tubes to achieve the desired depth as shown in FIGURE 10.6.

NOTE: The footplate will be on the inside of the wheelchair when locked in place.

4. Using the two socket bolts and locknuts, secure the telescoping front rigging support to the seat frame as shown in FIGURE 10.6.
5. If necessary, repeat STEPS 2-4 on remaining telescoping front rigging support.
6. Reinstall the seat. Refer to Removing/Installing the Seat Assembly on page 48.



| FRONT RIGGING MODEL | STANDARD POSITION | | 1 INCH OUT | | 2 INCHES OUT | |
|---------------------|-------------------|----------------|----------------|----------------|----------------|----------------|
| | 18 inches wide | 20 inches wide | 18 inches wide | 20 inches wide | 18 inches wide | 20 inches wide |
| PHW93 | Holes 4 and 5 | Holes 4 and 5 | Holes 5 and 6 | Holes 5 and 6 | Holes 6 and 7 | Holes 6 and 7 |
| PH904A and PHAL4A | Holes 3 and 4 | Holes 3 and 4 | Holes 4 and 5 | Holes 4 and 5 | Holes 5 and 6 | Holes 5 and 6 |

FIGURE 10.6 Adjusting/Replacing Telescoping Front Rigging Supports - Office Style Seat

Standard Seat

NOTE: For this procedure, refer to FIGURE 10.7 on page 60.

NOTE: When adjusting the telescoping front rigging support depth, ensure the footplate does not interfere with the caster wheel rotation.

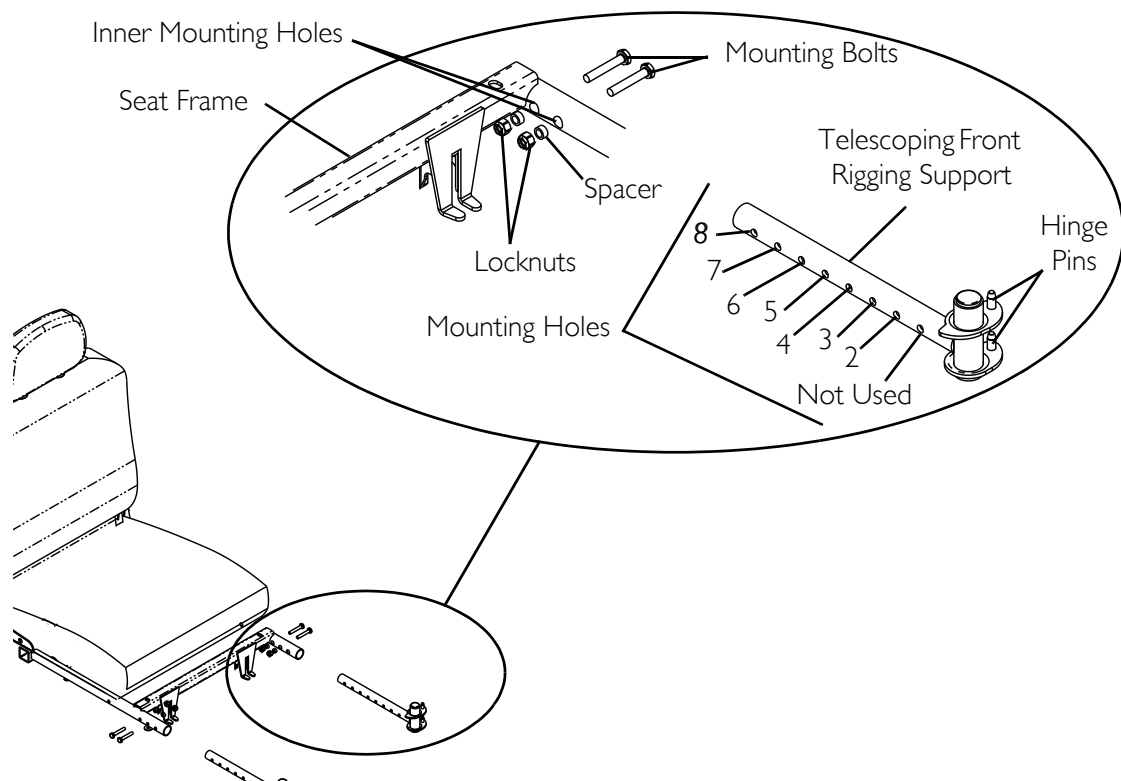
NOTE: Telescoping front rigging supports may be extended up to 2-inches from the wheelchair frame in 1-inch increments. This adjustment does not affect seat depth.

NOTE: When installing the front riggings support tubes, ensure that the hinge pins are on the outside of the chair facing away from the seat frame.

1. Remove the seat. Refer to Removing/Installing the Seat Assembly on page 48.
2. Remove the two socket bolts and locknuts that secure telescoping front rigging support to the seat frame.
3. Perform one of the following:
 - Adjusting - Align the appropriate mounting hole of the telescoping front rigging support with the front mounting hole in the seat frame tubes to achieve the desired depth as shown in FIGURE 10.7.
 - Replacing -
 - i. Remove the existing telescoping front rigging support from the wheelchair frame.
 - ii. Insert the new telescoping front rigging support into the seat frame.
 - iii. Align the appropriate mounting hole of the telescoping front rigging support with the front mounting hole in the seat frame tubes to achieve the desired depth as shown in FIGURE 10.7.

NOTE: The footplate will be on the inside of the wheelchair when locked in place.

4. Using the two socket bolts and locknuts, secure the telescoping front rigging support to the seat frame as shown in FIGURE 10.7.
5. If necessary, repeat STEPS 2-4 on remaining telescoping front rigging support.
6. Reinstall the seat. Refer to Removing/Installing the Seat Assembly on page 48.



| FRONT RIGGING MODEL | STANDARD POSITION | | 1 INCH OUT | | 2 INCHES OUT | |
|---------------------|-------------------|----------------|----------------|----------------|----------------|----------------|
| | 18 inches wide | 20 inches wide | 18 inches wide | 20 inches wide | 18 inches wide | 20 inches wide |
| PHW93 | Holes 4 and 5 | Holes 4 and 5 | Holes 5 and 6 | Holes 5 and 6 | Holes 6 and 7 | Holes 6 and 7 |
| PH904A and PHAL4A | Holes 3 and 4 | Holes 3 and 4 | Holes 4 and 5 | Holes 4 and 5 | Holes 5 and 6 | Holes 5 and 6 |

FIGURE 10.7 Adjusting/Replacing Telescoping Front Rigging Supports - Standard Seat

ASBA Seat

NOTE: For this procedure, refer to FIGURE 10.8 on page 61.

1. Remove the two mounting screws, spacers and locknuts that secure the telescoping front rigging support to the seat frame.
2. Perform one of the following:
 - Slide existing telescoping front rigging support to one of three depth positions.
 - Remove existing telescoping front rigging.
3. Secure telescoping front rigging at desired depth with existing two mounting screws, spacers, and locknuts. Securely tighten.

NOTE: The two telescoping front rigging supports can be positioned at different depths depending on the need of the user.

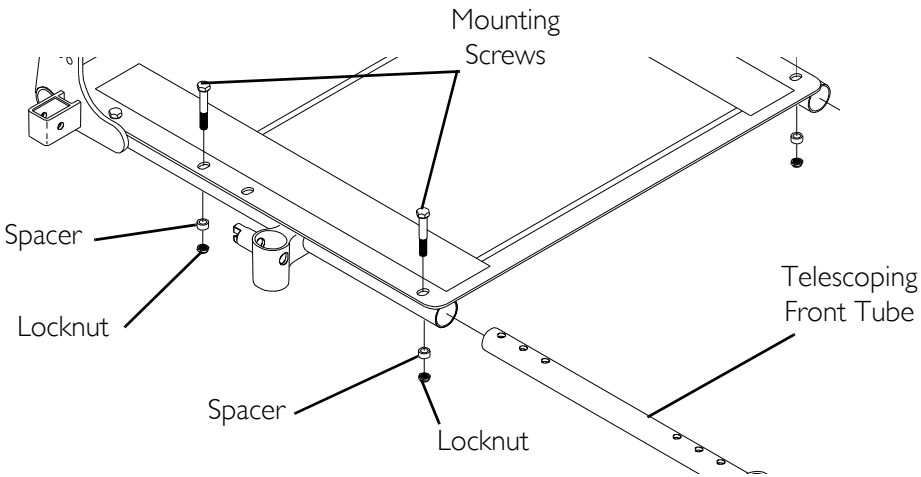


FIGURE 10.8 Adjusting/Replacing Telescoping Front Rigging Supports - ASBA Seat

SECTION 11—TOP SHROUD AND WHEELS

⚠ WARNING

After any adjustments, repair or service and before use, make sure that all attaching hardware is tightened securely - otherwise injury or damage may result.

Before performing any maintenance, adjustment or service verify that On/Off switch on the joystick is in the Off position.

Replacing the Flat Free Tires on the Wheel Rim

⚠ WARNING

DO NOT attempt to replace flat free tires. This procedure **MUST** be performed by a qualified technician.

NOTE: During initial use of the wheelchair, the user may experience flat spots on the wheels. Flat spots will vanish with continued use of the wheelchair.

Removing/Installing the Top Shroud

NOTE: For this procedure, refer to FIGURE 11.1 on page 63.

Removing

1. Disconnect the joystick. Refer to Disconnecting/Connecting the Joystick on page 80.
2. M61 Wheelchairs Only - Remove the joystick cable from the clip on the top shroud.
3. Remove the seat. Refer to Removing/Installing the Seat Assembly on page 48.
4. Remove the top shroud by pulling it up off the base frame.

Installing

1. Pull joystick cable through the center hole in the top shroud.
2. Place the top shroud on the base frame and push downward to engage the hook and loop straps.
3. M61 Wheelchairs Only - Secure the joystick cable using the clip on the top shroud.
4. Install the seat assembly. Refer to Removing/Installing the Seat Assembly on page 48.
5. Connect the joystick. Refer to Disconnecting/Connecting the Joystick on page 80.

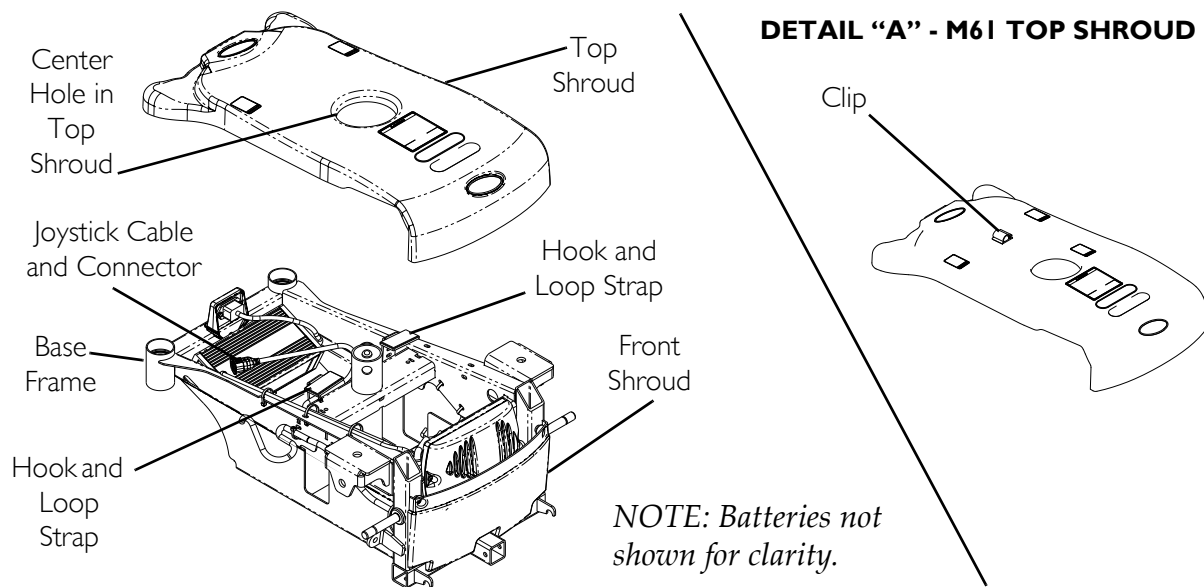


FIGURE 11.1 Removing/Installing the Top Shroud

Engaging/Disengaging Motor Release Lever

⚠ WARNING

DO NOT engage or disengage the motor release lever until the On/Off switch on the joystick is in the **Off** position.

CAUTION

Ensure both motor release levers are fully engaged before driving the wheelchair

NOTE: For this procedure, refer to FIGURE 11.2 on page 64.

NOTE: The motor lock disengagement/engagement allows freewheeling or joystick controlled operation. Freewheeling allows an attendant to maneuver the wheelchair without power.

1. Locate the motor release handles on the motors protruding through the top shroud on the rear of the wheelchair.
2. Perform one of the following:
 - To Disengage the Motor Release Levers - Pull the motor lock lever towards the rear of the wheelchair (freewheel position).

NOTE: This allows the chair to freewheel for pushing, if necessary.

NOTE: It may be necessary to rock the wheels slightly until the motor release lever disengages.

- To Engage the Motor Release Levers - Push the motor lock handles towards the front of the wheelchair (drive position).

NOTE: This allows the motors to drive the wheels.

NOTE: It may be necessary to rock the wheels slightly until the motor release lever engages.

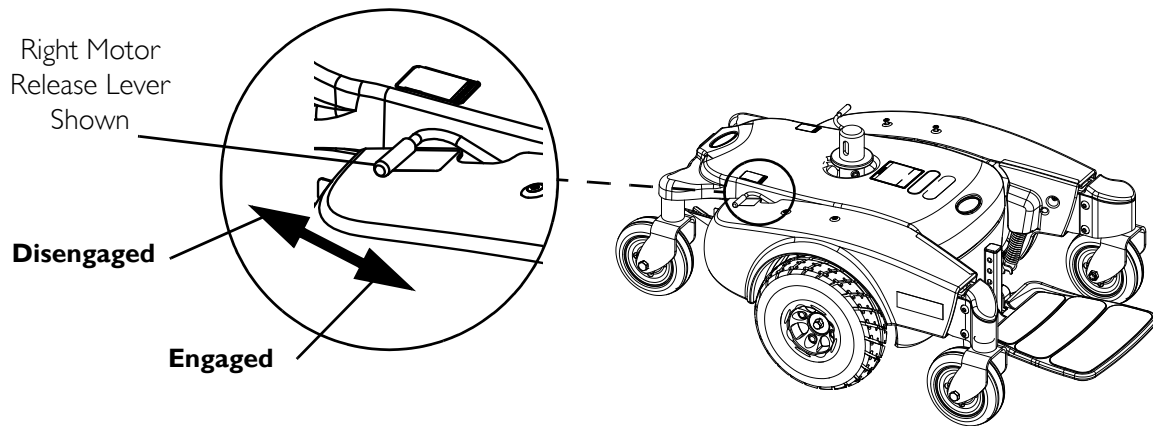


FIGURE 11.2 Engaging/Disengaging Motor Release Lever

Replacing Front/Rear Caster Assemblies

NOTE: For this procedure, refer to FIGURE 11.3.

NOTE: Front and rear caster assemblies are replaced in the same manner.

NOTE: When replacing the front/rear caster assemblies, it is necessary to brace the caster assemblies to prevent the wheel from spinning.

1. Remove the mounting screw, two washers, and locknut that secures the caster to the fork.
2. Remove the caster and discard.
3. Secure new caster to fork with existing mounting screw, two washers and locknut (FIGURE 11.3). Securely tighten.

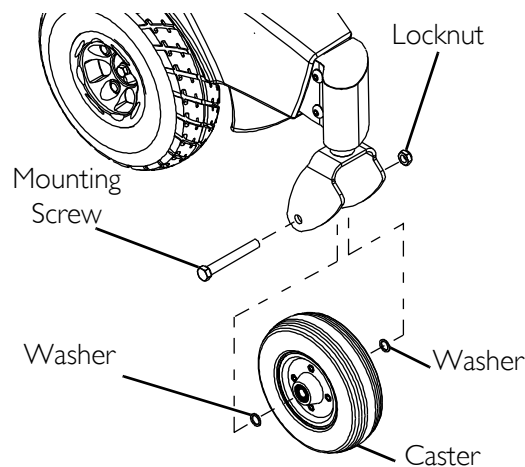


FIGURE 11.3 Replacing Front/Rear Caster Assemblies

Adjusting Forks

NOTE: For this procedure, refer to FIGURE 11.4.

1. Remove the dust cover.
2. To properly tighten caster journal system and guard against flutter, perform the following check:
 - A. Tip back the wheelchair.
 - B. Pivot both forks and casters to top of their arc simultaneously.
 - C. Let casters drop to bottom of arc (wheels should swing once to one-side, then immediately rest in a straight downward position).
 - D. Adjust locknut according to freedom of caster swing.
3. Test wheelchair for maneuverability.
4. Readjust locknut if necessary, and repeat STEPS 2-3 until correct.
5. Snap dust cover into the caster headtube ensuring that the tabs are under the plastic side shrouds.

NOTE: Components exploded for clarity. There is no need to remove the fork from the base frame.

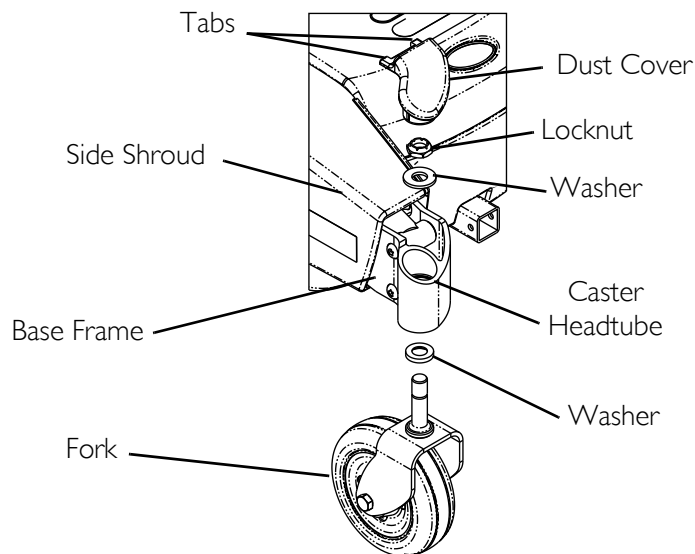


FIGURE 11.4 Adjusting Forks

SECTION 12—BATTERIES

Warnings For Handling and Replacing Batteries

⚠ DANGER

Risk of Death or Serious Injury

Failure to observe these warnings can cause an electrical short resulting in death, serious injury, or damage to the electrical system.

The **POSITIVE (+) RED** battery cable **MUST** connect to the **POSITIVE (+)** battery terminal(s)/post(s).

The **NEGATIVE (-) BLACK** battery cable **MUST** connect to the **NEGATIVE (-)** battery terminal(s)/post(s).

NEVER allow any of your tools and/or battery cable(s) to contact **BOTH** battery post(s) at the same time. An electrical short may occur and serious injury or damage may occur.

Install protective caps on positive and negative battery terminals.

Replace cable(s) immediately if cable(s) insulation becomes damaged.

DO NOT remove fuse or mounting hardware from **POSITIVE (+)** red battery cable mounting screw.

⚠ WARNING

After any adjustments, repair or service and before use, make sure that all attaching hardware is tightened securely - otherwise injury or damage may result.

Make sure power to the wheelchair is **Off** before performing this section.

The use of rubber gloves is recommended when working with batteries.

Invacare strongly recommends that battery installation and battery replacement **ALWAYS** be done by a qualified technician.

UI batteries weigh 24 pounds each. Use proper lifting techniques (lift with your legs) to avoid injury.

Use UI batteries only. Failure to use the correct battery size and/or voltage may cause damage to your wheelchair and give you unsatisfactory performance.

ALWAYS use a battery handle/lifting strap when lifting a battery. It is the most convenient method and assures that the battery acid will not spill. It also helps to prolong the life of the battery.

DO NOT tip the batteries. Keep the batteries in an upright position.

Connect same color connectors to each other (**RED to RED, BLACK to BLACK**).

NOTE: If there is battery acid in the bottom of the battery tray or on the sides of the battery, apply baking soda to these areas to neutralize the battery acid. Before reinstalling the existing or new battery, clean the baking soda from the battery tray or battery being sure to avoid contact with skin and eyes. Determine source of contamination. NEVER install/reinstall a battery with a cracked or otherwise damaged case.

Using the Proper Batteries

NOTE: For this procedure, refer to FIGURE 12.1.

1. Place battery on ground/flat surface.
2. Visually draw a horizontal and vertical centerline through the middle of battery (FIGURE 12.1).
3. Position the battery so that the terminals are above the horizontal centerline.
4. Visually inspect the battery to ensure the correct position of the POSITIVE and NEGATIVE terminals (FIGURE 12.1).

⚠ WARNING

Batteries with terminal configuration as shown below MUST be used. Batteries that have the reverse terminal configuration MUST NOT be used - otherwise injury and damage may occur.

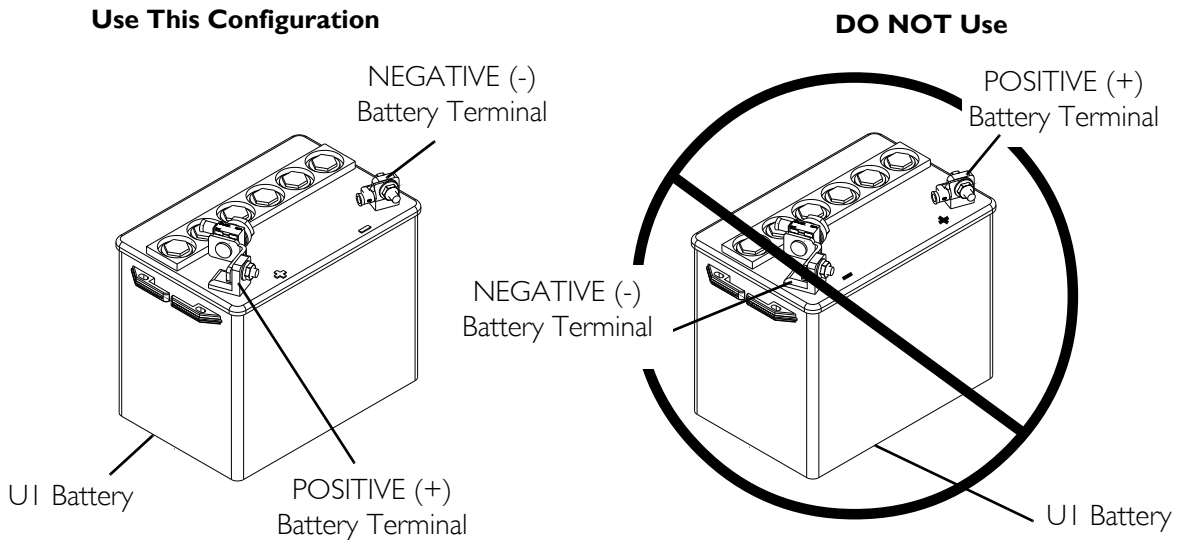


FIGURE 12.1 Using the Proper Batteries

Removing/Installing Batteries from/into Battery Tray

⚠ WARNING

ALWAYS use the battery handle when lifting the battery. It is the most convenient method and assures that the battery acid will not spill. It also helps to prolong the life of the battery.

DO NOT tip the batteries. Keep the batteries in an upright position.

NOTE: For this procedure, refer to FIGURE 12.2 on page 69.

NOTE: If there is battery acid in the bottom of the battery tray or on the sides of the battery, apply baking soda to these areas to neutralize the battery acid. Before reinstalling the existing or new battery, clean the baking soda from the battery tray or battery being sure to avoid contact with skin and eyes. Determine source of contamination. NEVER install/reinstall a battery with a cracked or otherwise damaged case.

NOTE: Have the following tools available:

| TOOL | QTY | COMMENTS |
|----------------------------|-----|--------------|
| 7/16-INCH (6PT) BOX WRENCH | 1 | Not Supplied |
| DIAGONAL CUTTERS | 1 | Not Supplied |

Removing

1. Place the wheelchair in a well ventilated area where work can be performed without risking damage to carpeting or floor covering.
2. Verify the joystick On/Off switch is in the Off position and disconnect joystick cable (not shown). Refer to Disconnecting/Connecting the Joystick on page 80.
3. Remove the seat. Refer to one of the following procedures:
 - Van Seats - Refer to Removing/Installing the Seat Assembly on page 48.
 - ASBA Seats - Refer to Removing/Installing the Seat Assembly on page 48.
4. Remove the top shroud. Refer to Removing/Installing the Top Shroud on page 62.
5. Disconnect the front battery from the controller (BLACK connector).
6. Disconnect the rear battery from the front battery (RED and BLACK connectors).
7. Lift rear and front battery out of the battery tray using the battery handles.

Installing

1. Verify the joystick On/Off switch is in the Off position and disconnect joystick cable. Refer to Disconnecting/Connecting the Joystick on page 80.
 2. Position the front battery in the front of the battery tray.
 3. Position rear battery in rear of battery tray.
- NOTE: Ensure that both batteries are properly seated and resting on the battery tray.
4. Connect the rear battery to the front battery (RED and BLACK connectors).
 5. Connect the front battery to the controller (BLACK connector).
 6. Reinstall the top shroud. Refer to Removing/Installing the Top Shroud on page 62.
 7. Reinstall the seat. Refer to one of the following procedures:
 - Van Seats - Refer to Removing/Installing the Seat Assembly on page 48.
 - ASBA Seats - Refer to Removing/Installing the Seat Assembly on page 48.

8. Connect joystick cable (not shown). Refer to Disconnecting/Connecting the Joystick on page 80.

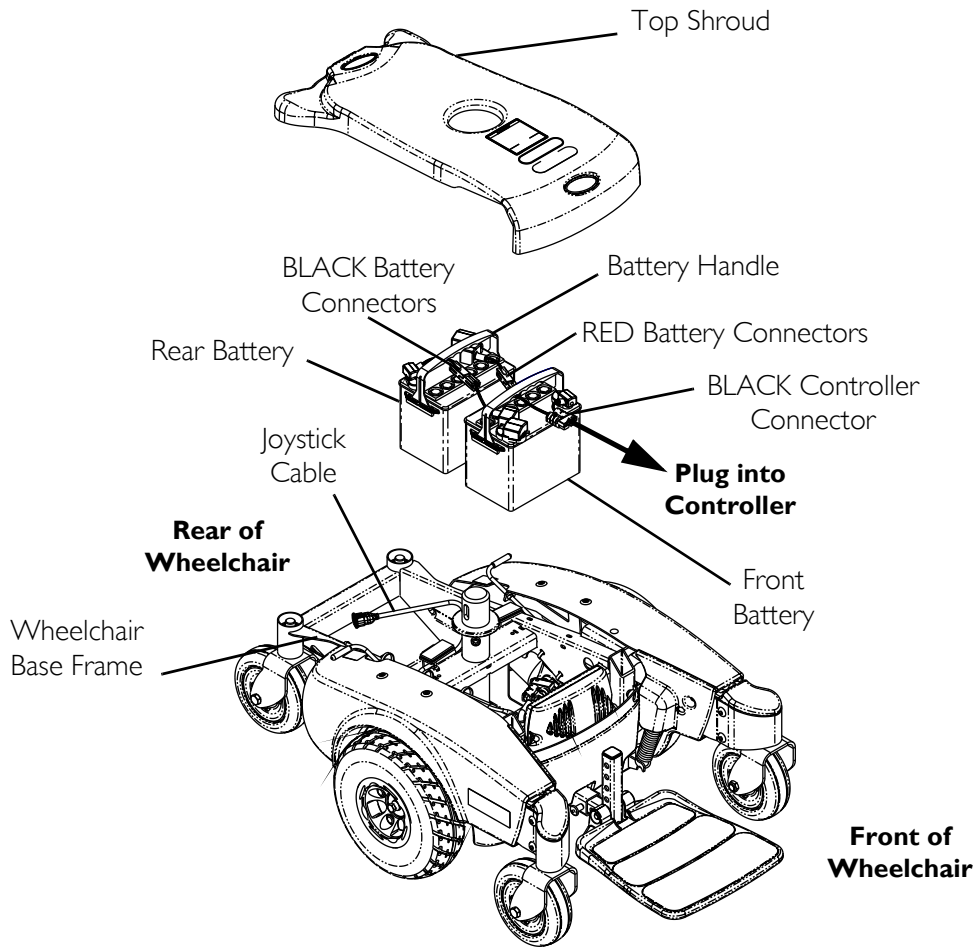


FIGURE 12.2 Removing/Installing Batteries from/into Battery Tray

Connecting/Disconnecting Battery Cables

Connecting Battery Cables

⚠ WARNING

NEVER allow any of your tools and/or battery cables to contact both battery terminals at the same time. An electrical short may occur and serious personal injury or damage may occur.

Connect same color connectors to each other (**RED to RED, BLACK to BLACK**).

DO NOT remove fuse or mounting hardware from **POSITIVE (+)** battery cable mounting screw. To replace the fuse, obtain and replace battery harness with fuse.

The **POSITIVE (+)** battery cable **MUST** connect to the **POSITIVE (+)** battery terminal, otherwise serious damage will occur to the electrical system.

The use of rubber gloves is recommended when working with batteries.

⚠ WARNING

Battery terminal configuration as shown in Detail “A” of FIGURE 12.3 MUST be used. Batteries that have the terminal configuration reversed MUST NOT be used - otherwise serious injury or damage may occur.

Install protective caps on POSITIVE (+) and NEGATIVE (-) terminals.

All battery terminal covers (two on the front battery and two on the rear battery) MUST be installed prior to use.

CAUTION

When connecting the battery cables to the battery, the battery cables MUST be connected to the battery terminals, as shown in Detail “A” of FIGURE 12.3 (depending on battery type), otherwise damage to the battery cable may result when installing battery terminal caps.

NOTE: For this procedure, refer to FIGURE 12.3 on page 71.

1. Secure the battery cables to the battery terminals as described below. Securely tighten. Refer to Detail “A” of FIGURE 12.3:
 - A. Secure NEGATIVE (-) battery cable to the NEGATIVE (-) battery terminal using the mounting screw and the locknut.
 - B. Secure the POSITIVE (+) battery cable to the POSITIVE (+) battery terminal using the L-bracket with mounting screw and the locknut.
2. Verify all battery cables are correctly installed and securely tightened.
3. Slide terminal caps down battery cables and onto battery terminals.
4. Secure each terminal cap in place with a tie-wrap [use tie-wraps 11-1/2-inches long] (Detail “B” of FIGURE 12.3).
5. Position the batteries into the wheelchair. Refer to Removing/Installing Batteries from/into Battery Tray on page 67.

NOTE: New batteries MUST be fully charged before using, otherwise the life of the batteries will be reduced.

6. If necessary, charge the battery. Refer to Charging Batteries on page 72.

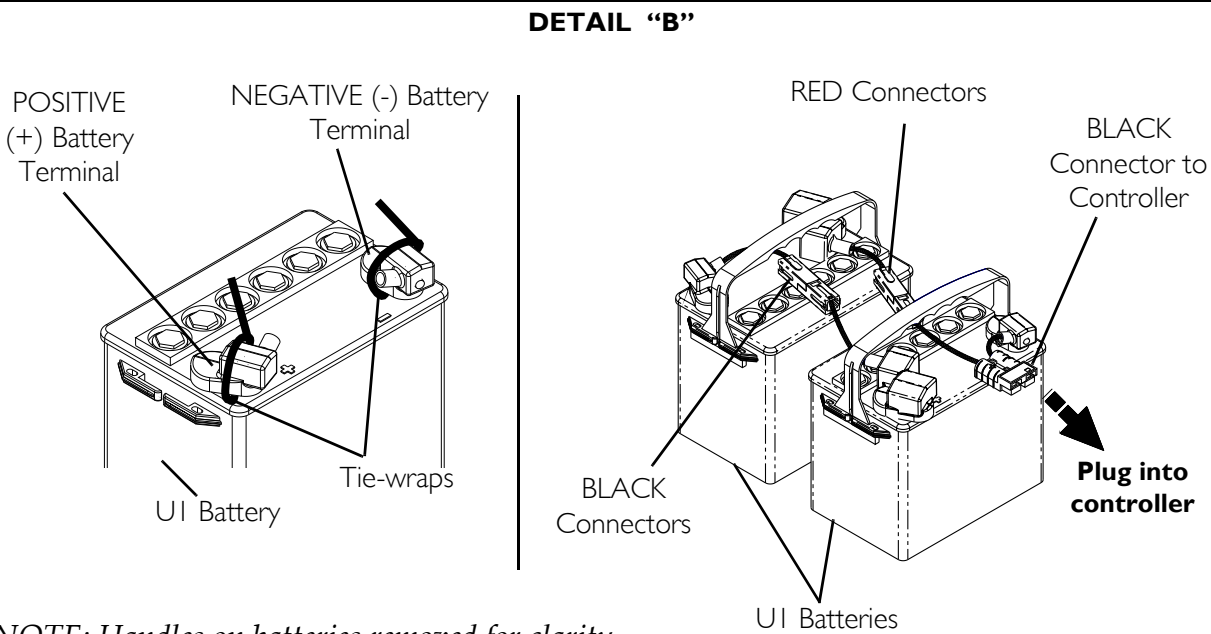
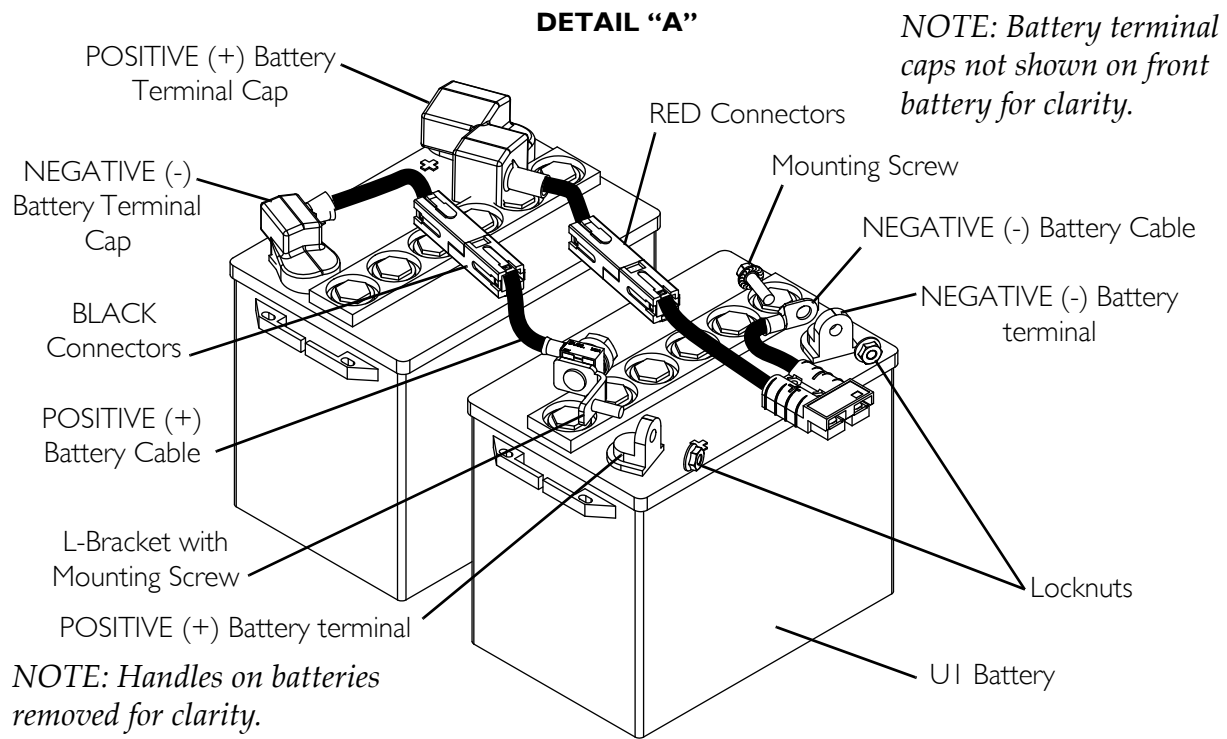


FIGURE 12.3 Connecting/Disconnecting Battery Cables

Disconnecting Battery Cables

⚠ WARNING

The use of rubber gloves is recommended when working with batteries.

NEVER allow any of your tools and/or battery cables to contact both battery terminals at the same time. An electrical short may occur and serious personal injury or damage may occur.

NOTE: For this procedure, refer to FIGURE 12.3 on page 71.

1. Remove the seat. Perform one of the following:
 - Van Seat - Refer to Removing/Installing the Seat Assembly on page 48.
 - ASBA Seat - Refer to Removing/Installing the Seat Assembly on page 48.
2. Remove the batteries. Refer to Removing/Installing Batteries from/into Battery Tray on page 67.
3. Cut the tie-wrap that secures the battery terminal cap in place (Detail “B” of FIGURE 12.3).
4. Slide terminal caps up onto the battery cables (FIGURE 12.3).
5. Disconnect POSITIVE (+) battery cable from the POSITIVE (+) battery terminal (FIGURE 12.3).
6. Disconnect NEGATIVE (-) battery cable from NEGATIVE (-) battery terminal (FIGURE 12.3).

Charging Batteries

⚠ WARNING

NEVER attempt to recharge the batteries by attaching cables directly to the battery terminals.

DO NOT attempt to recharge the batteries and operate the wheelchair at the same time.

DO NOT attempt to recharge the batteries when the wheelchair has been exposed to any type of moisture.

DO NOT attempt to recharge the batteries when the wheelchair is outside.

DO NOT sit in the wheelchair while recharging the batteries.

DO NOT attempt to recharge the batteries using both the on-board battery charger and an independent battery charger (plugged into the joystick charger port) at the same time. Doing so will reduce the life of the batteries.

Read and carefully follow the individual instructions for each charger (supplied or purchased). If charging instructions are not supplied, consult a qualified technician for proper procedures.

CAUTION

New batteries **MUST** be fully charged prior to initial use of the wheelchair.

ALWAYS charge new batteries before initial use or battery life will be reduced.

As a general rule, you should recharge your batteries as frequently as possible to assure the longest possible life and to minimize required charging time. Plan to recharge them when you do not anticipate using the wheelchair.

Basic concepts which will help you understand this automatic process are:

The amount of electrical current drawn within a given time to charge a battery is called “charge rate”. If, due to usage, the charge stored in the battery is low, the charge rate is high. As a charge builds up, the charge rate is reduced, and the battery charger rate decreases to a “trickle charge”.

NOTE: If the batteries need to be charged more often or take longer to charge than normal, they may need to be replaced. Contact a qualified technician.

NOTE: The batteries can be charged using the on-board battery charger or by plugging an independent battery charger into the port located on the front of the joystick.

Battery Charger Operation

⚠ WARNING

Read and carefully follow the manufacturer’s instructions for each charger (supplied or purchased). If charging instructions are not supplied, consult a qualified technician for proper procedures.

NEVER leave the charger unattended when the charger circuit breaker is tripping.

⚠ DANGER

Use of improper extension cord could result in risk of fire and electric shock.

On-Board Battery Charger

⚠ DANGER

When using an extension cord, use only a three wire extension cord having at least 16 AWG (American Wire Gauge) wire and the same or higher electrical rating as the device being connected. Use of improper extension cord could result in risk of fire and electric shock. Three prong to two prong adapters should not be used. Use of three prong adapters can result in improper grounding and present a shock hazard to the user.

⚠ WARNING

Ensure the pins of the extension cord plug are the same number, size, and shape as those on the charger.

DO NOT, under any circumstances, cut or remove the round grounding plug from the charger AC cable plug or the extension cord plug.

NOTE: For this procedure, refer to FIGURE 12.4 on page 75.

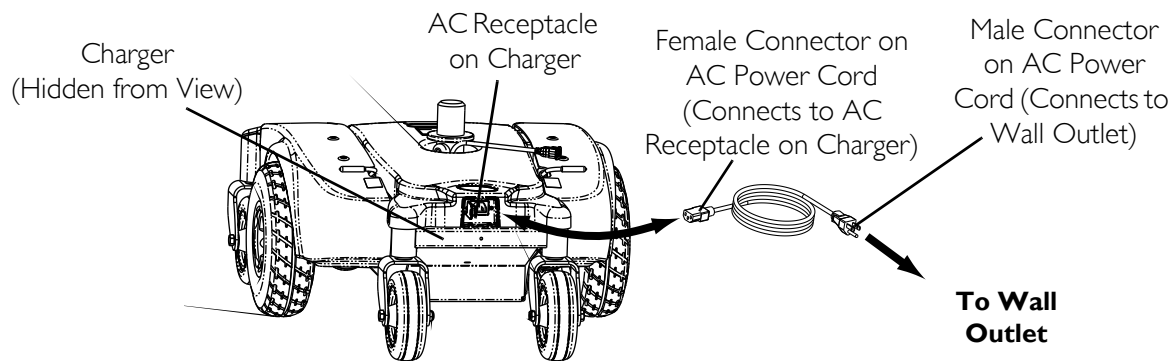
NOTE: The On/Off LED indicator light and the charger LED indicator light are located on the top of the charger on the rear of the wheelchair. Open rear shroud to view indicator lights.

NOTE: If the batteries are completely discharged, the charger will not charge them. Replace the batteries. Refer to Removing/Installing Batteries from/into Battery Tray on page 67.

1. Plug the female connector of the AC power cord (supplied) to the AC receptacle on the charger and plug in the male connector on the AC power cord into the wall outlet.
 2. The On/Off LED indicator is blinking RED, this is abnormal. Unplug AC power cord from the on-board battery charger and wall outlet. Charger may need to be replaced. Contact an Invacare dealer or qualified technician.
 3. When the On/Off LED indicator light is Off, charger is Off.
 4. When the Charge LED indicator light is YELLOW, the batteries are charging.
 5. When the Charge LED indicator light is solid GREEN, the batteries are fully charged (as their condition will allow).
 6. When charging is complete, unplug the male connector of the AC power cord from the wall outlet and then unplug the female connector of the AC power cord from the AC receptacle on the charger.
-

⚠ WARNING

DO NOT operate wheelchair with AC power cord attached to the wheelchair.



| ON/OFF INDICATOR | STATUS |
|------------------|-------------|
| SOLID RED | Charger On |
| “BLINKING” RED | Abnormal |
| LED “OFF” | Charger Off |

| CHARGING INDICATOR | STATUS |
|--------------------|---------------|
| YELLOW | Charging |
| SOLID GREEN | Fully charged |

FIGURE 12.4 On-Board Battery Charger

Charging Using An Independent Charger Plugged Into The Joystick

⚠ WARNING

Read and carefully follow the individual instructions for each charger (supplied or purchased). If charging instructions are not supplied, consult a qualified technician for proper procedures.

DO NOT attempt to recharge the batteries using both the on-board battery charger and an independent battery charger (plugged into the joystick charger port) at the same time. Doing so will reduce the life of the batteries.

CAUTION

Only use a charger approved by Invacare when charging through the joystick on this wheelchair model.

DO NOT use an independent charger with an output rating of over **8A (Amps)**. Otherwise, damage may occur.

NOTE: For this procedure, refer to FIGURE 12.5.

NOTE: The charger port located on the front of the joystick requires the use of an independent charger. The independent charger is NOT supplied with the wheelchair.

1. Attach the battery charger connector to the charger port on the front of the joystick.
2. Plug the charger's AC power cord or extension into the grounded 110-volt wall outlet.
3. When charging is complete, turn charger Off.
4. Disconnect output cable from joystick charger port.

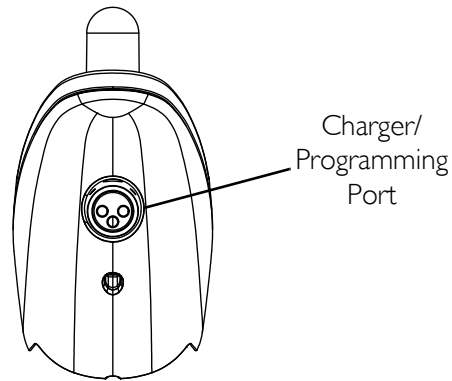


FIGURE 12.5 Charging Using An Independent Charger Plugged Into The Joystick

SECTION 13—ELECTRONICS

⚠ WARNING

After any adjustments, repair or service and before use, make sure that all attaching hardware is tightened securely - otherwise injury or damage may result.

Before performing any maintenance, adjustment or service verify that On/Off switch on the joystick is in the Off position.

Removing/Installing the Joystick

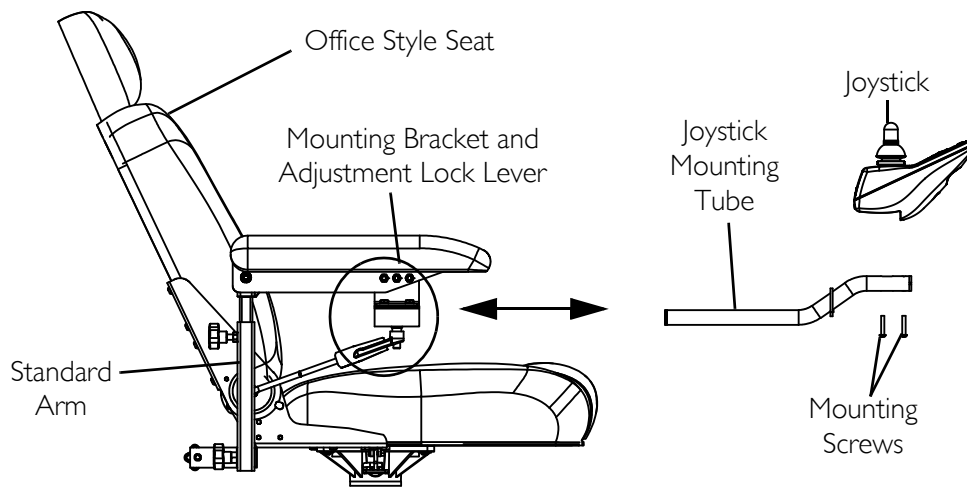
NOTE: For this procedure, refer to FIGURE 13.1 on page 78.

Removing

1. Disconnect the joystick. Refer to Disconnecting/Connecting the Joystick on page 80.
2. Cut the tie-wraps that secure the joystick cable to the arm.
3. Loosen the adjustment lock lever to release the joystick mounting tube from the mounting bracket. Refer to FIGURE 13.1 on page 78.
4. Remove the joystick and joystick mounting tube from the mounting bracket.

Installing

1. Slide joystick mounting tube through the mounting bracket to the desired position.
2. Tighten the adjustment lock lever to secure the joystick mounting tube to the mounting bracket on the other arm.
3. Tie-wrap the joystick cable to the arm as shown in FIGURE 13.1 on page 78.
4. Connect the joystick. Refer to Disconnecting/Connecting the Joystick on page 80.



DETAIL "A" - TIE-WRAP LOCATIONS

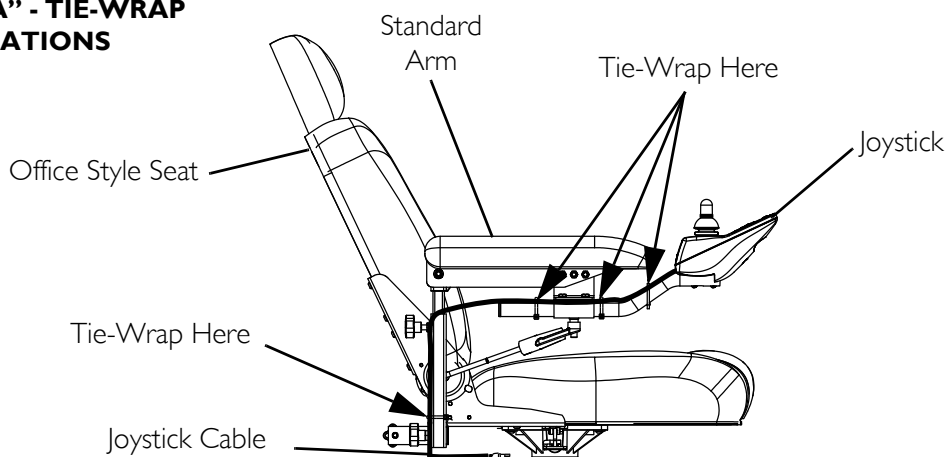


FIGURE 13.1 Removing/Installing the Joystick

Repositioning the Joystick

Van Seat

NOTE: For this procedure, refer to FIGURE 13.2 on page 79.

NOTE: Take note of position and orientation of mounting hardware for reinstalling the joystick assembly.

1. Turn the adjustment lock lever to release the joystick mounting tube from the mounting bracket.
2. Remove the joystick from the wheelchair.
3. Remove the three hex mounting screws, spacers and locknuts that secure the mounting bracket to the three mounting holes on the arm frame.

NOTE: The mounting bracket is mounted to the inside of the arm frame.

4. Reposition the mounting bracket on the opposite arm frame.

5. Using the three hex mounting screws, spacers and locknuts secure the mounting bracket to the three mounting holes of the arm frame.
6. If necessary, perform the following to reposition the adjustment lock:
 - A. Slide the adjustment lock from the mounting bracket.
 - B. Rotate adjustment lock 180° and slide adjustment lock over the opposite end of the mounting bracket.
7. Slide joystick mounting tube through the mounting bracket to the desired position and secure adjustment lock to tube by turning lever on adjustment lock.

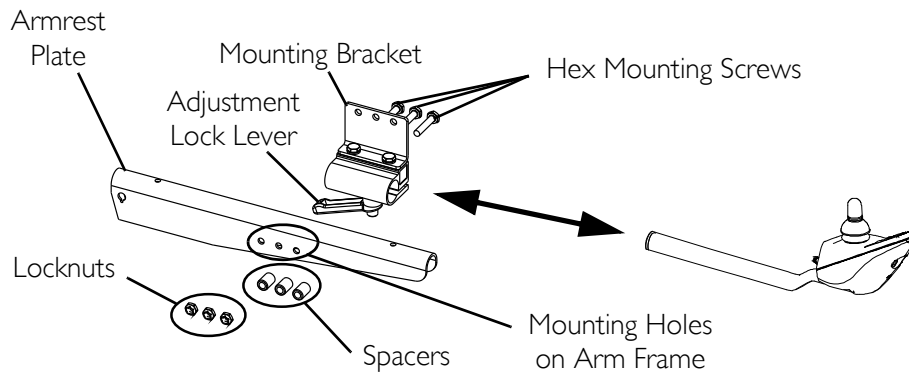


FIGURE 13.2 Repositioning the Joystick

ASBA Seat

NOTE: For this procedure, refer to FIGURE 13.3 on page 80.

1. Turn the lever on the adjustment lock to release the adjustment lock from joystick mounting tube.
2. Remove the joystick mounting tube from the wheelchair.
3. Remove the three hex screws that secure joystick mounting bracket, the threaded hole half clamp and the opened hole half clamp to the arm tube.
4. Reposition the threaded hole half clamp and opened hole half clamp on the opposite arm tube. Make sure threaded hole half clamp is on the inside of arm tube.
5. While holding the two half clamps, install the front hex screw into the two half clamps. Securely tighten.
6. Line up mounting holes of the joystick mounting bracket with the mounting holes in the two half clamps.
7. Secure the joystick mounting bracket to the two half clamps with the remaining two hex screws.
8. Slide tube through the bracket to the desired position.
9. Slide adjustment lock over end of tube and secure adjustment lock to tube by turning lever on adjustment lock.

NOTE: If adjustment lock does not fit over tube, rotate 180°.

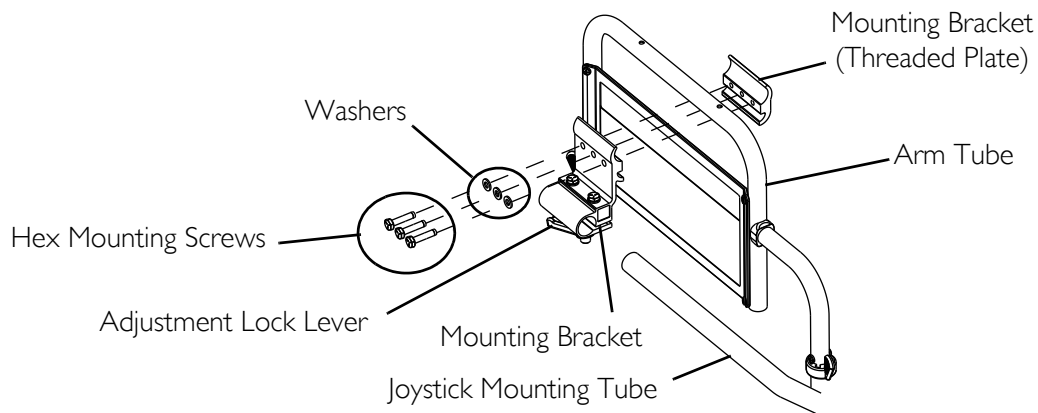


FIGURE 13.3 Repositioning the Joystick - ASBA Seat

Disconnecting/Connecting the Joystick

NOTE: For this procedure, refer to FIGURE 13.4 on page 80.

Disconnecting

1. Hold the light GREY collar portion of the joystick connector with one hand and the controller connector on the wheelchair in the other and disconnect them by pulling them apart.

Connecting

⚠ WARNING

The joystick connector and controller connector fit together in one way only. DO NOT force them together.

1. Hold the light GREY collar portion of the joystick connector with one hand and the controller connector on the wheelchair in the other and align them.
2. Lightly push to engage the joystick connector and the controller connector.

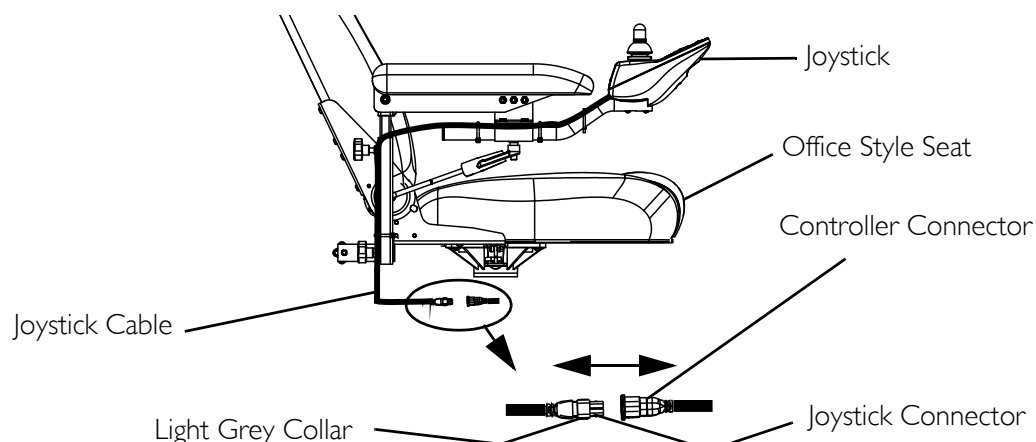


FIGURE 13.4 Disconnecting/Connecting the Joystick

SECTION 14—ACCESSORIES

⚠ WARNING

After any adjustments, repair or service and before use, make sure that all attaching hardware is tightened securely - otherwise injury or damage may result.

Before performing any maintenance, adjustment or service verify that On/Off switch on the joystick is in the Off position.

Installing/Removing the Crutch/Cane Holder

⚠ WARNING

The installation of the crutch/cane holder onto the back of the seat significantly increases the length of the wheelchair. When turning the wheelchair or swiveling the wheelchair seat, it is important to take note of this increased length - otherwise, injury and/or damage to the surrounding property may result.

NOTE: For this procedure, refer to FIGURE 14.1.

NOTE: The Crutch/Cane Holder and Oxygen Holder all install into the accessory tube. Only one of these may be installed at a time.

NOTE: To remove, reverse the following procedure.

Installing

1. If necessary, loosen but do not remove the mounting knob.
2. Install the crutch/cane holder into the accessory tube located on the back of the seat.
3. Thread the mounting knob into the welded nut on the accessory tube. Securely tighten.
4. Align slot on base with hook on crutch/cane holder and slide base down into position.

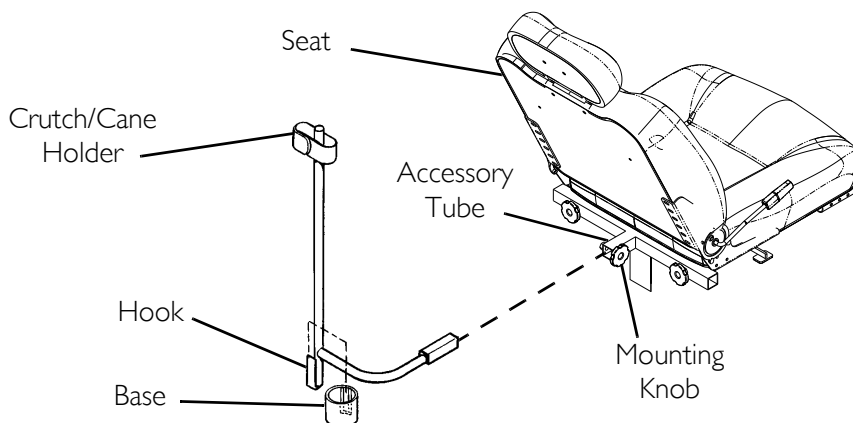


FIGURE 14.1 Installing/Removing the Crutch/Cane Holder

Installing/Removing the Oxygen Holder

⚠ WARNING

Contact your oxygen supplier for instructions in the use of oxygen. Extreme care **MUST** be exercised when using oxygen in close proximity to electric circuits.

The Invacare oxygen holder is designed to be used in conjunction with oxygen cylinder models MD15 and ME24 only.

To maintain safety, use only Invacare oxygen cylinder accessories (i.e. regulator, oxygen demand devices).

DO NOT use the oxygen holder for anything other than its intended purpose of supporting an oxygen cylinder - otherwise, injury or damage may occur.

DO NOT attempt to modify the oxygen holder to fit any other type of wheelchair. The oxygen holder was designed specifically for Invacare wheelchairs only.

The installation of the oxygen holder onto the back of the wheelchair seat significantly increases the length of the wheelchair. When turning the wheelchair it is important to take note of this increased length - otherwise, injury or damage may occur.

When using nasal or masked type administering equipment, oxygen or air tubing **MUST** be routed and secured properly to ensure that the tubing does not become entangled, kinked or severed. If necessary, loosen but **DO NOT** remove the mounting knob.

NOTE: For this procedure, refer to FIGURE 14.2.

NOTE: Reverse the following procedure to remove the oxygen holder.

NOTE: The O₂ holder assembly can be mounted on the RIGHT or LEFT side of the seat back. Determine the appropriate side prior to installation.

1. Remove the top and bottom mounting screws and washers securing the upper hinge to the seat. Retain screws to install the O₂ holder.
2. Align the O₂ holder mounting holes with the mounting holes in the upper hinge and seat back as shown in FIGURE 14.2.
3. Using the two mounting screws and washers removed in STEP 1, secure the O₂ holder to the upper hinge and seat back. Securely tighten.

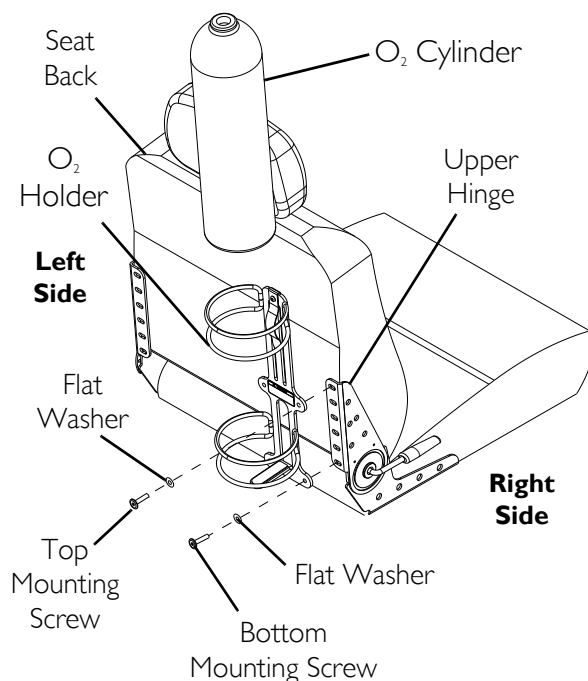


FIGURE 14.2 Installing/Removing the Oxygen Holder

Installing/Removing/Using the Walker Holder

⚠️ INSTALLATION WARNINGS

After any adjustments, repair or service and before use, make sure that all attaching hardware is tightened securely.

The installation of the walker holder onto the back of the wheelchair seat increases the length of the wheelchair up to nine inches. When turning the wheelchair it is important to take note of this increased length - otherwise, injury and/or damage to surrounding property may result.

NOTE: For this procedure, refer to FIGURE 14.3.

Installing/Removing the Walker Holder

NOTE: Reverse this procedure to remove the walker holder.

1. If necessary, loosen but do not remove the mounting knob.
2. Install the walker holder into the accessory tube.
3. Thread the mounting knob into the welded nut on the accessory tube. Securely tighten.

Using the Walker Holder

1. Fold walker. Refer to instructions provided with the walker.

NOTE: Walker MUST be folded before using walker holder.

2. Hang folded walker on walker holder hooks.
3. Secure walker with hook and loop straps.

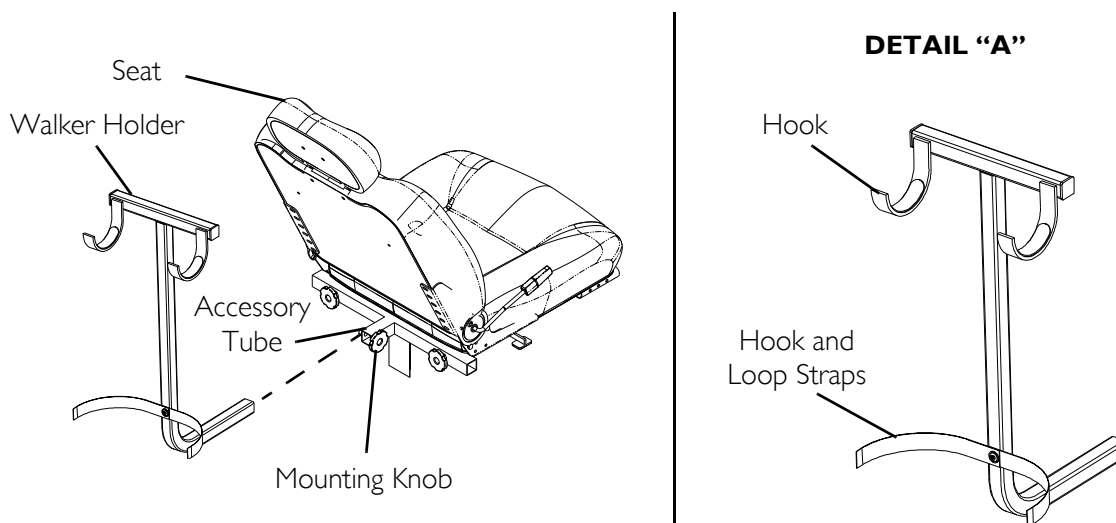


FIGURE 14.3 Installing/Removing/Using the Walker Holder

SECTION 15—WEAR AND TEAR INFORMATION

General Information

Normal wear and tear items and components include but are not limited to: all upholstery items including seat and back upholstery, arm and calf pads, cushions, wheels, tires and casters, all types of batteries, joystick overlays and inductive rubberized protective boots.

Invacare reserves the right to ask for any item back that has an alleged defect in workmanship. Refer to the Warranty section in this manual for specific warranty information.

Refer to the Inspection Checklists in this manual for proper preventative maintenance schedule.

This is just a general guideline and does not include items damaged due to abuse and misuse.

| PRODUCT TYPE | PRODUCT WEAR AND TEAR |
|--|--|
| Wheelchairs | Wheels, Brake Assembly, Hand Grips |
| Scooters | Wheels, Braking System, Armrest, Seat |
| Mobility Hardware and Electronics | Rubber Urethane Tires and Casters, Handgrips, Joystick Inductive Tops, Joystick Overlays, Motors and Gearboxes (if exposed to prolonged moisture, urine, etc.), Stability Lock |
| Upholstery and Seating | Arm pads, Seat Cushion Foam, Seat Cushion Covers, Back Cushion Foam, Back Cushion Covers, Headrest Foam, Headrest Covers, Footplate Covers, Calf Pad (if applicable)Foam and Cover |
| Batteries | Lead acid/Lithium, Coin cell (watch type), Gel (6 months) |

NOTES

NOTES

GLOBAL LIMITED WARRANTY (EXCLUDING CANADA)

PLEASE NOTE: THE WARRANTY BELOW HAS BEEN DRAFTED TO COMPLY WITH FEDERAL LAW APPLICABLE TO PRODUCTS MANUFACTURED AFTER JULY 4, 1975.

This warranty is extended only to the original purchaser who purchases this product within any country excluding CANADA when new and unused from Invacare or a dealer. This warranty is not extended to any other person or entity and is not transferable or assignable to any subsequent purchaser or owner.

Coverage under this warranty will end upon any such subsequent sale or other transfer of title to any other person. For product purchased in Canada, please refer to the Canada Limited Warranty.

This warranty gives you specific legal rights and you may also have other legal rights which vary from state to state.

Invacare warrants the base frame to be free from defects in materials and workmanship for a period of five (5) years from the date of purchase from Invacare or a dealer, with a copy of the seller's invoice required for coverage under this warranty. Invacare warrants the seat frame to be free from defects in materials and workmanship for a period of three (3) years from the date of purchase from Invacare or a dealer, with a copy of the seller's invoice required for coverage under this warranty. Invacare warrants all electronics and electrical components (excluding batteries), motors and gearboxes to be free from defects in materials and workmanship for a period of one (1) year from the date of purchase from Invacare or a dealer, with a copy of the seller's invoice required for coverage under this warranty. Invacare warrants all batteries to be free from defects in materials and workmanship for a period of six (6) months from the date of purchase from Invacare or a dealer, with a copy of the seller's invoice required for coverage under this warranty. Invacare warrants all remaining components (excluding all upholstered materials, padded materials, tires and wheels) to be free from defects in materials and workmanship for a period of one (1) year from the date of purchase from Invacare or a dealer, with a copy of the seller's invoice required for coverage under this warranty. If within such warranty periods any such product component shall be proven to be defective, the product component shall be repaired or replaced, at Invacare's option. This warranty does not include any labor or shipping charges incurred in replacement part installation or repair of any such product. Invacare's sole obligation and your exclusive remedy under this warranty shall be limited to such repair and/or replacement.

For warranty service, please contact the dealer from whom you purchased your Invacare product. In the event you do not receive satisfactory warranty service, please write directly to Invacare at the address on the bottom of the back cover. Provide dealer's name address, date of purchase, indicate nature of the defect and, if the product is serialized, indicate the serial number. Do not return products to our factory without our prior consent.

LIMITATIONS AND EXCLUSIONS: THE FOREGOING WARRANTY SHALL NOT APPLY TO SERIAL NUMBERED PRODUCTS IF THE SERIAL NUMBER HAS BEEN REMOVED OR DEFACED, PRODUCTS SUBJECT TO NEGLIGENCE, ACCIDENT, IMPROPER OPERATION, MAINTENANCE OR STORAGE, COMMERCIAL OR INSTITUTIONAL USE, PRODUCTS MODIFIED WITHOUT INVACARE'S EXPRESS WRITTEN CONSENT (INCLUDING, BUT NOT LIMITED TO, MODIFICATION THROUGH THE USE OF UNAUTHORIZED PARTS OR ATTACHMENTS); PRODUCTS DAMAGED BY REASON OF REPAIRS MADE TO ANY COMPONENT WITHOUT THE SPECIFIC CONSENT OF INVACARE, OR TO A PRODUCT DAMAGED BY CIRCUMSTANCES BEYOND INVACARE'S CONTROL, AND SUCH EVALUATION WILL BE SOLELY DETERMINED BY INVACARE. THE WARRANTY SHALL NOT APPLY TO PROBLEMS ARISING FROM NORMAL WEAR AND TEAR OR FAILURE TO ADHERE TO THE PRODUCT INSTRUCTIONS. A CHANGE IN OPERATING NOISE, PARTICULARLY RELATIVE TO MOTORS AND GEARBOXES DOES NOT CONSTITUTE A FAILURE OR DEFECT AND WILL NOT BE REPAIRED; ALL DEVICES WILL EXHIBIT CHANGES IN OPERATING NOISE DUE TO AGING.

THE FOREGOING EXPRESS WARRANTY IS EXCLUSIVE AND IN LIEU OF ANY OTHER WARRANTIES WHATSOEVER, WHETHER EXPRESS OR IMPLIED, INCLUDING THE IMPLIED WARRANTIES OF MERCHANTABILITY AND FITNESS FOR A PARTICULAR PURPOSE, AND THE SOLE REMEDY FOR VIOLATIONS OF ANY WARRANTY WHATSOEVER, SHALL BE LIMITED TO REPAIR OR REPLACEMENT OF THE DEFECTIVE PRODUCT PURSUANT TO THE TERMS CONTAINED HEREIN. THE APPLICATION OF ANY IMPLIED WARRANTY WHATSOEVER SHALL NOT EXTEND BEYOND THE DURATION OF THE EXPRESS WARRANTY PROVIDED HEREIN AND INVACARE SHALL NOT BE LIABLE FOR ANY CONSEQUENTIAL OR INCIDENTAL DAMAGES WHATSOEVER; SOME STATES DO NOT ALLOW THE EXCLUSION OR LIMITATION OF INCIDENTAL OR CONSEQUENTIAL DAMAGE, OR LIMITATION OF HOW LONG AN IMPLIED WARRANTY LASTS, SO THE ABOVE EXCLUSION AND LIMITATION MAY NOT BE APPLICABLE. THIS WARRANTY SHALL BE EXTENDED TO COMPLY WITH STATE/PROVINCIAL LAWS AND REQUIREMENTS.

CANADA LIMITED WARRANTY

PLEASE NOTE: THE WARRANTY BELOW HAS BEEN DRAFTED TO COMPLY WITH FEDERAL LAW APPLICABLE TO PRODUCTS MANUFACTURED AFTER JULY 4, 1975.

This warranty is extended only to the original purchaser who purchases this product within Canada when new and unused from Invacare or a dealer. This warranty is not extended to any other person or entity and is not transferable or assignable to any subsequent purchaser or owner. Coverage under this warranty will end upon any such subsequent sale or other transfer of title to any other person.

This warranty gives you specific legal rights and you may also have other legal rights which vary from state to state.

Invacare warrants the base frame to be free from defects in materials and workmanship for a period of five (5) years from the date of purchase from Invacare or a dealer, with a copy of the seller's invoice required for coverage under this warranty. Invacare warrants the seat frame to be free from defects in materials and workmanship for a period of three (3) years from the date of purchase from Invacare or a dealer, with a copy of the seller's invoice required for coverage under this warranty. Invacare warrants all electronics and electrical components (excluding batteries), motors and gearboxes to be free from defects in materials and workmanship for a period of two (2) years from the date of purchase from Invacare or a dealer, with a copy of the seller's invoice required for coverage under this warranty. Invacare warrants all batteries to be free from defects in materials and workmanship for a period of six (6) months from the date of purchase from Invacare or a dealer, with a copy of the seller's invoice required for coverage under this warranty. Invacare warrants all remaining components (excluding all upholstered materials, padded materials, tires and wheels) to be free from defects in materials and workmanship for a period of one (1) year from the date of purchase from Invacare or a dealer, with a copy of the seller's invoice required for coverage under this warranty. If within such warranty periods any such product component shall be proven to be defective, the product component shall be repaired or replaced, at Invacare's option. This warranty does not include any labor or shipping charges incurred in replacement part installation or repair of any such product. Invacare's sole obligation and your exclusive remedy under this warranty shall be limited to such repair and/or replacement.

For warranty service, please contact the dealer from whom you purchased your Invacare product. In the event you do not receive satisfactory warranty service, please write directly to Invacare at the address on the bottom of the back cover. Provide dealer's name address, date of purchase, indicate nature of the defect and, if the product is serialized, indicate the serial number. Do not return products to our factory without our prior consent.

LIMITATIONS AND EXCLUSIONS: THE FOREGOING WARRANTY SHALL NOT APPLY TO SERIAL NUMBERED PRODUCTS IF THE SERIAL NUMBER HAS BEEN REMOVED OR DEFACED, PRODUCTS SUBJECT TO NEGLIGENCE, ACCIDENT, IMPROPER OPERATION, MAINTENANCE OR STORAGE, COMMERCIAL OR INSTITUTIONAL USE, PRODUCTS MODIFIED WITHOUT INVACARE'S EXPRESS WRITTEN CONSENT (INCLUDING, BUT NOT LIMITED TO, MODIFICATION THROUGH THE USE OF UNAUTHORIZED PARTS OR ATTACHMENTS); PRODUCTS DAMAGED BY REASON OF REPAIRS MADE TO ANY COMPONENT WITHOUT THE SPECIFIC CONSENT OF INVACARE, OR TO A PRODUCT DAMAGED BY CIRCUMSTANCES BEYOND INVACARE'S CONTROL, AND SUCH EVALUATION WILL BE SOLELY DETERMINED BY INVACARE. THE WARRANTY SHALL NOT APPLY TO PROBLEMS ARISING FROM NORMAL WEAR AND TEAR OR FAILURE TO ADHERE TO THE PRODUCT INSTRUCTIONS. A CHANGE IN OPERATING NOISE, PARTICULARLY RELATIVE TO MOTORS AND GEARBOXES DOES NOT CONSTITUTE A FAILURE OR DEFECT AND WILL NOT BE REPAIRED; ALL DEVICES WILL EXHIBIT CHANGES IN OPERATING NOISE DUE TO AGING.

THE FOREGOING EXPRESS WARRANTY IS EXCLUSIVE AND IN LIEU OF ANY OTHER WARRANTIES WHATSOEVER, WHETHER EXPRESS OR IMPLIED, INCLUDING THE IMPLIED WARRANTIES OF MERCHANTABILITY AND FITNESS FOR A PARTICULAR PURPOSE, AND THE SOLE REMEDY FOR VIOLATIONS OF ANY WARRANTY WHATSOEVER, SHALL BE LIMITED TO REPAIR OR REPLACEMENT OF THE DEFECTIVE PRODUCT PURSUANT TO THE TERMS CONTAINED HEREIN. THE APPLICATION OF ANY IMPLIED WARRANTY WHATSOEVER SHALL NOT EXTEND BEYOND THE DURATION OF THE EXPRESS WARRANTY PROVIDED HEREIN AND INVACARE SHALL NOT BE LIABLE FOR ANY CONSEQUENTIAL OR INCIDENTAL DAMAGES WHATSOEVER; SOME STATES DO NOT ALLOW THE EXCLUSION OR LIMITATION OF INCIDENTAL OR CONSEQUENTIAL DAMAGE, OR LIMITATION OF HOW LONG AN IMPLIED WARRANTY LASTS, SO THE ABOVE EXCLUSION AND LIMITATION MAY NOT BE APPLICABLE. THIS WARRANTY SHALL BE EXTENDED TO COMPLY WITH STATE/PROVINCIAL LAWS AND REQUIREMENTS.

Invacare Corporation www.invacare.com



Yes, you can.

USA
One Invacare Way
Elyria, Ohio USA
44036-2125
800-333-6900

Canada
570 Matheson Blvd E Unit
8
Mississauga Ontario
L4Z 4G4 Canada
800-668-5324

All rights reserved. Trademarks are identified by the symbols [™] and [®]. All trademarks are owned by or licensed to Invacare Corporation unless otherwise noted.

© 2016 Invacare Corporation

Making Life's Experiences Possible [™]



Part No I125085

Rev K-05 - 4/16

