



## KÜSCHALL K-SERIES *attract*

en	<b>Active wheelchair</b> User Manual .....	4
es	<b>Silla de ruedas activa</b> Manual del usuario .....	44
pt	<b>Cadeira de rodas activa</b> Manual de utilização .....	90



This manual **MUST** be given to the user of the product.  
BEFORE using this product, read this manual and save for future reference.

©2015 Kuschall AG

All rights reserved. Reproduction, duplication or modification in whole or in part is prohibited without prior written permission from Kuschall AG. Trademarks are identified by ™ and ®. All trademarks are owned by or licensed to Kuschall AG or its subsidiaries unless otherwise noted.

—

Todos los derechos reservados. Prohibida la reedición, copia o modificación total o parcial sin previa autorización por escrito de Kuschall AG. Las marcas comerciales se identifican con ™ y ®. Todas las marcas comerciales son propiedad de Kuschall AG o de sus filiales, o bien Kuschall AG o sus filiales cuentan con las correspondientes licencias, a menos que se estipule lo contrario.

—

Todos os direitos reservados. A republicação, duplicação ou modificação total ou parcial estão interditas sem a autorização prévia por escrito da Kuschall AG. As marcas comerciais são identificadas pelos símbolos ™ e ®. Todas as marcas comerciais são propriedade da ou estão licenciadas à Kuschall AG ou às suas subsidiárias, excepto quando apresentada informação em contrário.

---

# CONTENTS

---

This manual MUST be given to the user of the product.  
BEFORE using this product, read this manual and save for  
future reference.

<b>1</b>	<b>General</b> .....	<b>5</b>
1.1	Information about the User Manual .....	5
1.2	Symbols in this manual .....	5
1.3	Warranty .....	6
1.4	Standards and Regulations .....	6
1.5	Intended use .....	6
1.6	Service life .....	6
1.7	Copyright protection .....	6
<b>2</b>	<b>Safety</b> .....	<b>7</b>
2.1	Safety information .....	7
2.2	Safety devices .....	8
2.3	Labels and symbols on the product .....	8
<b>3</b>	<b>Components and their functions</b> .....	<b>9</b>
3.1	Overview .....	9
3.2	Parking brakes .....	10
3.3	Backrest .....	11
3.4	Push handles .....	11
3.5	Side rest, stepless height adjustable, non-locking .....	12
3.6	Mudguard .....	13
3.7	Clothes-guard .....	14
3.8	Footrest .....	14
3.9	Antitipper .....	14
3.10	Tires .....	15
3.11	Seat cushion .....	16
3.12	Seat position .....	16
<b>4</b>	<b>Accessories</b> .....	<b>17</b>
4.1	Pelvic belt .....	17
4.2	Air pump .....	17
4.3	Passive illumination .....	18
<b>5</b>	<b>Setup</b> .....	<b>19</b>
5.1	Safety information .....	19
<b>6</b>	<b>Using the wheelchair</b> .....	<b>20</b>
6.1	Safety information .....	20
6.2	Braking during use .....	21
6.3	Getting in and out of the wheelchair .....	21
6.4	Driving and steering the wheelchair .....	22
6.5	Negotiating steps and kerbs .....	23
6.6	Going up and down stairs .....	25
6.7	Negotiating ramps and slopes .....	25
6.8	Stability and balance when seated .....	27
<b>7</b>	<b>Transport</b> .....	<b>28</b>
7.1	Safety information .....	28
7.2	Folding and unfolding the wheelchair .....	28
7.3	Removing and fitting the rear wheels .....	29
7.4	Transporting the occupied wheelchair in a vehicle .....	30
<b>8</b>	<b>Maintenance</b> .....	<b>35</b>
8.1	Safety information .....	35
8.2	Maintenance Schedule .....	35
8.3	Cleaning .....	37
8.4	Disinfection .....	37
<b>9</b>	<b>Troubleshooting</b> .....	<b>38</b>
9.1	Safety information .....	38
9.2	Identifying and repairing faults .....	39
<b>10</b>	<b>After Use</b> .....	<b>40</b>
10.1	Storage .....	40
10.2	Re-use .....	40

10.3	Disposal	40
<b>11</b>	<b>Technical data</b>	<b>41</b>
11.1	Dimensions and weight	41
11.2	Environmental conditions	42
11.3	Materials	42

# 1 GENERAL

## 1.1 Information about the User Manual

Thank you for choosing a küschall® wheelchair.

This User Manual contains important information about using the wheelchair. In order to ensure safety when using your wheelchair, read the User Manual carefully and follow the safety information.

If your vision is impaired, you can view the user manual as a PDF file on the Internet at [www.kuschall.com](http://www.kuschall.com) and enlarge it on-screen as required. If you cannot enlarge the texts and graphics sufficiently, please contact the küschall® distributor for your country;

® addresses on the reverse of this document. If necessary, we will provide you with a high resolution PDF file of the user manual. Moreover, you can have the PDF file read out to you with the aid of suitable programs using special language functions on your computer (e.g. in Adobe®Reader®X: Shift+Ctrl+Y).



The equipment of your wheelchair may differ from the descriptions and diagrams given here due to the wide range of models available.

For latest important product information please refer to our website at [www.kuschall.com](http://www.kuschall.com), your local specialized dealer or contact Invacare® in your country (for addresses, see back page of this manual).

## 1.2 Symbols in this manual

In this User Manual warnings are indicated by symbols. The warning symbols are accompanied by a heading that indicates the severity of the danger.



### WARNING!

Indicates a hazardous situation that could result in serious injury or death if it is not avoided.



### CAUTION!

Indicates a hazardous situation that could result in minor or slight injury if it is not avoided.



### IMPORTANT!

Indicates a hazardous situation that could result in damage to property if it is not avoided.



Gives useful tips, recommendations and information for efficient, trouble-free use.



This product complies with Directive 93/42/EEC concerning medical devices. The launch date of this product is stated in the CE declaration of conformity.



Manufacturer

### 1.3 Warranty

Küschall AG guarantees that their wheelchairs are free from defects and are fully functional. The warranty covers all faults and defects which are verifiably attributable to faulty construction, substandard materials or poor workmanship. Warranty claims against the manufacturer may only be made by the distributor and not by the user of the product.

The warranty does not cover normal wear and tear, the consequences of improper handling or damage, poor maintenance and incorrect assembly or commissioning by the purchaser or a third person or faults which are attributable to circumstances beyond our control. Wearing parts are not covered by the guarantee. The warranty is voided if modifications are made to the product which were not authorised and not performed by the specialist dealer or if inappropriate accessories or spare parts are used. The warranty does not cover consequential costs arising from the rectification of defects such as freight and travel expenses, labour costs, fees etc.

The term of the warranty is 24 months. The frame is guaranteed for 5 years.

Furthermore, the terms and conditions are part of the general terms and conditions particular to the individual countries in which the product is sold.

### 1.4 Standards and Regulations

Quality is fundamental to the company's operation, working within the disciplines of ISO 9001 and ISO 13485.

The wheelchair has been tested in accordance with EN 12183. It includes a test for flammability.

Küschall AG is continuously working towards ensuring that the company's impact on the environment, locally and globally, is reduced to a minimum. We use only REACH and RoHS compliant materials and components.

### 1.5 Intended use

The active wheelchair is propelled manually and should only be used for independent or assisted transport of a disabled person with mobility difficulties. When used without an assistant, it should only be used by persons who are physically and mentally able to use the wheelchair safely (e.g. to propel themselves, steer, brake). The wheelchair should only be used on level ground and accessible terrain, as well as indoors. This active wheelchair needs to be subscribed and fit to your specific health condition.



#### **WARNING!**

Any other or incorrect use could lead to hazardous situations.

### 1.6 Service life

The expected service life is five years, presuming that the product is used daily and in accordance with safety instructions, maintenance instructions and intended use, stated in this manual.

### 1.7 Copyright protection

This User Manual is protected by copyright. It may not be reprinted or copied or transferred to third parties in part or in full without the prior written consent of the manufacturer.

## 2 SAFETY

### 2.1 Safety information

This section contains important safety information for the protection of the wheelchair user and assistant and for safe, trouble-free use of the wheelchair.



#### **WARNING!**

##### **Risk of accidents and serious injury**

Accidents with resulting serious injury can occur if the wheelchair is wrongly adjusted.

- Adjustments at the wheelchair always must be carried out by a specialist dealer.



#### **WARNING!**

##### **Risk due to driving style being unsuitable for the conditions**

There is a risk of skidding on wet ground, gravel or uneven terrain.

- Always adjust your speed and driving style to the conditions (weather, surface, individual ability, etc.).



#### **WARNING!**

##### **Risk of injury**

In a collision you could sustain injury to parts of your body that extend beyond the wheelchair (e.g. feet or hands).

- Avoid an unbraked collision.
- Never drive into an object head-on.
- Drive carefully through narrow passages.



#### **WARNING!**

##### **Risk due to wheelchair being out of control**

At high speed you could lose control of your wheelchair and overturn.

- Never exceed a speed of 7 km/h.
- Avoid collisions in general.



#### **CAUTION!**

##### **Risk of burning**

The wheelchair components can heat up when exposed to external sources of heat.

- Do not expose the wheelchair to strong sunlight before use.
- Before usage, check all components that come into contact with your skin for their temperature.



#### **CAUTION!**

##### **Risk of getting fingers caught**

There is always a risk of getting, e.g. fingers or arms, caught in the moving parts of the wheelchair.

- Make sure when activating the folding or insertion mechanisms of moving parts, such as the removable axle of the rear wheel, folding backrest or antitipper, that nothing becomes caught.

## 2.2 Safety devices



### **WARNING!** **Risk of accidents**

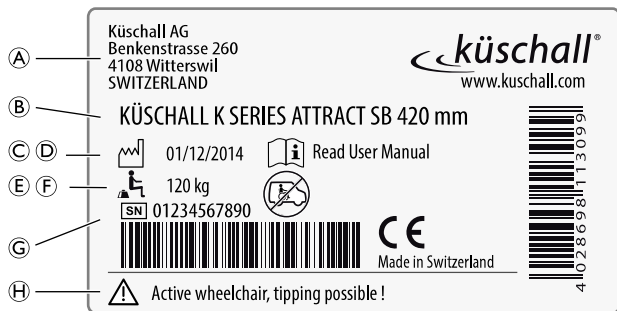
Safety devices that are incorrectly set or no longer working (brakes, antitipper) can cause accidents.  
– Always check that the safety devices are working before you use the wheelchair and have them checked regularly by the specialist dealer.

The functions of the safety devices are described in chapter 3 Components and their functions, page 9 .

## 2.3 Labels and symbols on the product

### Identification label

The identification label is attached to the frame of your wheelchair and gives the following information:



©	Date of manufacture
Ⓓ	Instruction to read the User Manual
Ⓔ	Maximum user weight
Ⓕ	Instruction that this wheelchair is not designed for passenger transport in vehicles with a backrest height less than 400 mm. If the backrest height is more than 400 mm passenger transport in vehicles is allowed under following conditions, Ⓔ 7.4 Transporting the occupied wheelchair in a vehicle, page 30. In this case symbol Ⓕ is not struck out on the identification label.
Ⓖ	Serial number
Ⓗ	Warning that this is an active wheelchair and tipping is possible

### Snap hook symbol

	Tie-down positions where the restraint system straps must be placed in case of transporting the occupied wheelchair in a vehicle.
--	---

### Antitipper warning label

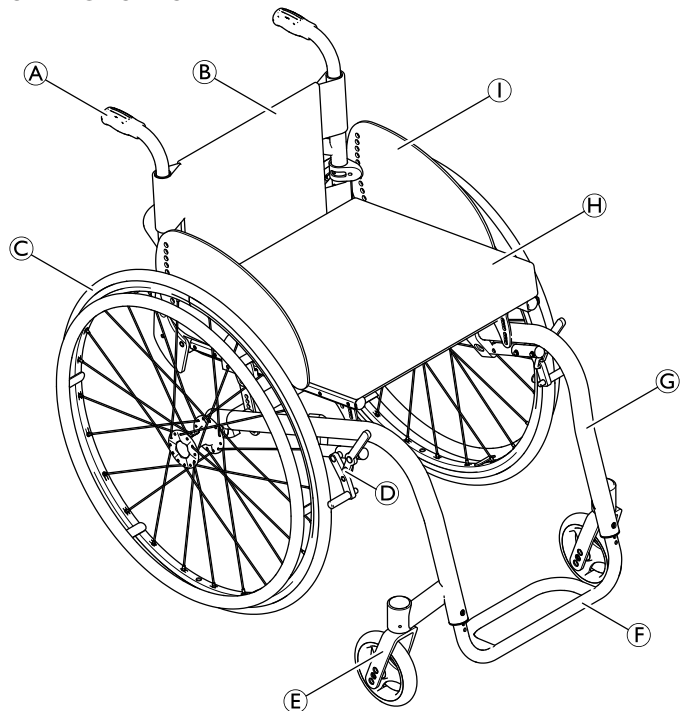
	Follow user manual instructions prior to the usage of an antitipper device.
--	---

Ⓐ	Manufacturer's address
Ⓑ	Product description



## 3 COMPONENTS AND THEIR FUNCTIONS

### 3.1 Overview



Ⓐ	Push handle
Ⓑ	Back
Ⓒ	Rear wheel with handrim
Ⓓ	Parking brake
Ⓔ	Castor fork with castor
Ⓕ	Footrest
Ⓖ	Frame
Ⓗ	Seat / Cushion
Ⓘ	Clothes-guard

#### Short description

The küschall K-Series<sub>attract</sub> is a rigid frame wheelchair with folding backrest.



The equipment of your wheelchair may differ from the diagram as each wheelchair is manufactured individually to the specifications in the order.

## 3.2 Parking brakes

The parking brakes are used to immobilise the wheelchair when it is stationary to prevent it from rolling away.



### WARNING!

#### Risk of overturning if you brake sharply

If you apply the parking brakes while you are moving, the direction of movement can become uncontrollable and the wheelchair may stop suddenly, which can lead to a collision or to you falling out.

- Never apply the parking brakes while you are moving.



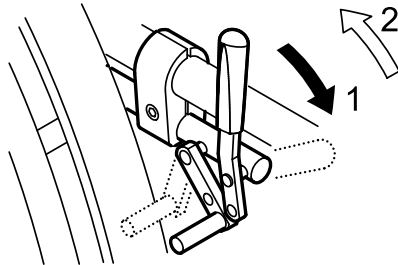
### WARNING!

#### Risk of overturning

The parking brakes will not operate correctly unless there is sufficient air in the tyres.

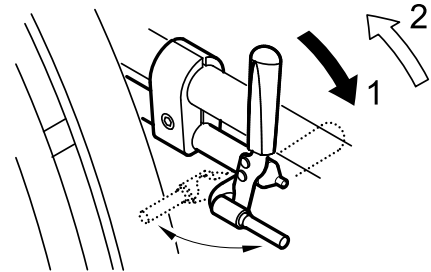
- Ensure the correct tyre pressure, 3.10 Tires, page 15.

### Standard brake



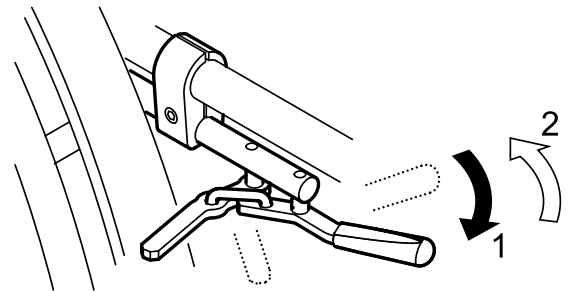
1. To apply the brake, push the brake lever forwards as far as possible.
2. To release the brake, pull the brake lever backwards.

### Performance brake



1. To apply the brake, push the brake lever forwards as far as possible.
2. To release the brake, pull the brake lever backwards.

### Active brake



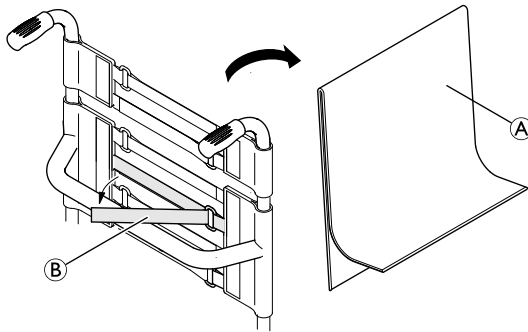
1. To apply the brake, pull the brake lever forwards beside or between your knees as far as possible.
2. To release the brake, push the brake lever backwards beside or between your knees.

### 3.3 Backrest

#### Backrest cover

You can adjust the tension of the backrest cover as required.

#### Adjusting the backrest cover



1. Remove the backrest cushion (A).
2. Loosen the Velcro® tapes (B) on the rear of the backrest cover by simply pulling on them.
3. Tighten or loosen the tapes as required then reattach them.



#### **WARNING!** **Risk of tipping**

If the bands are set very loose, the tipping point of your wheelchair is changed for the worse.  
– Ensure that the bands are set correctly.

#### Backrest height

The height of the backrest can be adjusted. The adjustment must be carried out by the specialist dealer.

#### Backrest angle

The angle of the backrest can be adjusted. The adjustment must be carried out by the specialist dealer.

#### Backrest bar



#### **WARNING!** **Risk of accidents**

The backrest bar is not suited for lifting or carrying the wheelchair with the user sitting in it as it can break.

- The backrest bar may not be used to lift or carry the wheelchair while the user is sitting in it.

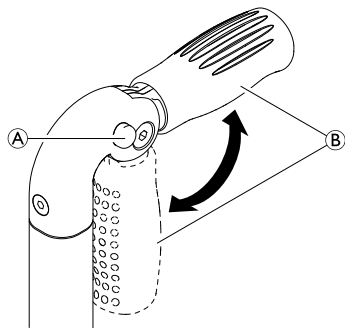
### 3.4 Push handles



#### **IMPORTANT!**

- Always check the push handles before using the wheelchair, as to whether the hand grips are secure, cannot be turned and cannot be pulled off.

## Foldable push handles (optional)



1. Fully depress button **A** and fold up respectively fold down the push handle **B** until it audibly engages.



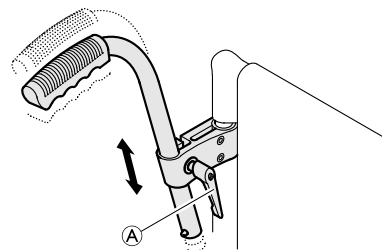
### CAUTION!

If not correctly engaged, the push handle could accidentally fold down while pushing the wheelchair.

- Make sure that the push handle is correctly engaged.

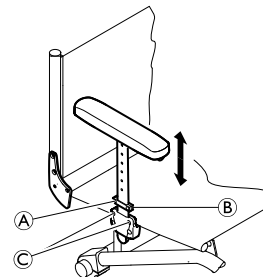
## Height adjustable, angled push handles (optional)

The infinitely height adjustable push handles allow any assistant to adjust the handles to a comfortable level.



1. To set the height of the push handles, loosen the bolt **A**, push the handle to the desired position and tighten the bolt again.

## 3.5 Side rest, stepless height adjustable, non-locking



**WARNING!****Risk of injury**

The side rests are not locked and can be easily pulled out upwards.

- Do not lift or transfer the wheelchair using the side rests.
- Do not use the side rests for transportation when carrying the wheelchair up- or downstairs.

**Removing**

1. Pull the side rest by the arm cushion out of the holder.
2. To adjust how easy or difficult it is to pull the side rest out of the holder, change the degree to which the screws © are tightened.

**Fitting**

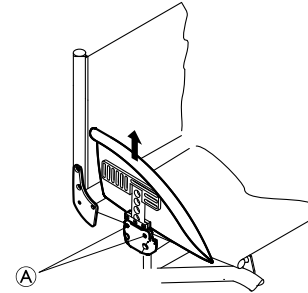
1. Push the side rest into the holder.

**Adjusting the height**

1. Loosen the screw ① of the retaining plate ②.
2. Move the armrest upwards or downwards until you reach the desired height.
3. Tighten the screw ①.
4. Perform the setting on both sides.

**3.6 Mudguard**

In order to prevent dirt from the wheels spraying upwards, a removable mudguard can be fitted. The position of the mudguard can be adjusted. The adjustment must be carried out by the specialist dealer.

**Removing**

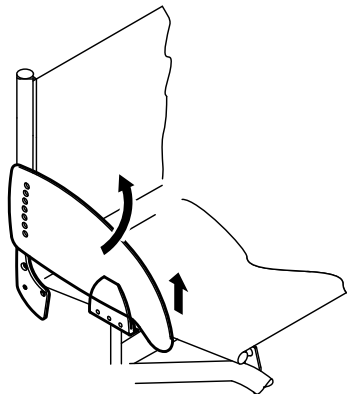
1. Pull the mudguard upwards out of the holder.
2. To adjust how easy or difficult it is to pull the mudguard out of the holder, change the degree to which the screws ① are tightened.

**Fitting**

1. Push the mudguard into the holder.

### 3.7 Clothes-guard

A clothes-guard can be fitted to protect your clothes. Before folding the back of the wheelchair, the clothes-guard must first be folded inwards against the backrest.

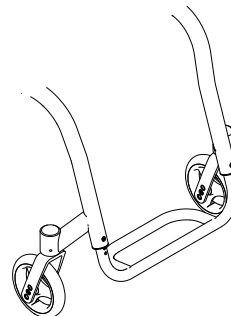


#### Folding in

1. Raise the clothes-guard at the front and swivel it inwards in front of the backrest.

### 3.8 Footrest

The height of the footrest can be adjusted. The adjustment must be carried out by the specialist dealer.



### 3.9 Antitipper

An antitipper prevents the wheelchair from tipping backwards.



#### **WARNING!**

#### **Risk of overturning**

Antitippers that are incorrectly set or no longer working can lead to overturning.

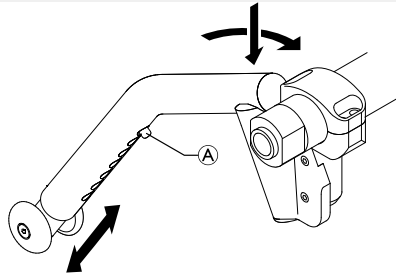
- Always check that the antitipper is working before using the wheelchair and have it set or readjusted by a specialist dealer when required.



**WARNING!**  
**Risk of overturning**

On uneven or soft ground, the antitipper can sink into potholes or directly into the ground, thereby curtailing or eliminating its safety function.

- Only use the antitipper when travelling on even and firm ground.



**Activating the antitipper**

1. Push the antitipper completely downwards against the spring and swivel it backwards through 90° until it engages.



**WARNING!**  
**Risk of tipping**

An activated antitipper can catch when negotiating a step or an edge.

- Always deactivate the antitipper before driving over a step or kerb.

**Deactivating the antitipper**

1. Push the antitipper completely downwards against the spring and swivel it inwards through 90° until it engages.

**Setting the height**

1. Press the spring pin (A) on the antitipper and push the inner section to the position required. Allow the spring pin to engage in the nearest hole.



If further adjustments of height and/or position are necessary, refer to your specialized dealer.

**3.10 Tires**

The ideal pressure depends on the tire type:

The table below is an indication. In case the tire differs from the list below, check the side of the tire, the maximum pressure is often listed there.

Tire	Max. pressure		
	bar	kPa	psi
Light wheel	7 bar	700 kPa	101 psi
Profile tire	7 bar	700 kPa	101 psi
Schwalbe® Marathon Plus tire	10 bar	1000 kPa	145 psi
Schwalbe® One	10 bar	1000 kPa	145 psi
Schwalbe® Rightrun, blue	10 bar	1000 kPa	145 psi
Solid tire, profile, grey	-	-	-
Solid tire (KIK type), black	-	-	-
Solid, light wheel	-	-	-



The compatibility of the tires listed above depends on the configuration and/or model of your wheelchair.

### **3.11 Seat cushion**

A suitable cushion is needed to provide an even pressure distribution on the seat.



Use a seat cushion with anti-slip underlay or Velcro® (hook) fastening tapes to avoid slipping of the seat cushion. A Velcro® (loop) fastening tape is pre-attached to the seat cover.

### **3.12 Seat position**

#### **Tipping stability**

The seat position and thus the tipping stability of your wheelchair can be altered. The adjustment must be carried out by the specialist dealer.

#### **Seat height front**

The front seat height can be adjusted. The adjustment must be carried out by the specialist dealer.

#### **Seat height rear**

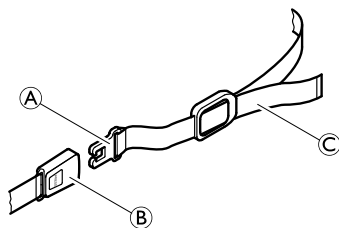
The rear seat height can be adjusted by several centimeters. The adjustment must be carried out by the specialist dealer.



## 4 ACCESSORIES

### 4.1 Pelvic belt

Your wheelchair can be fitted with a pelvic belt which will prevent you from sliding forward in the wheelchair or from falling out of the wheelchair.



#### **WARNING!**

##### **Risk of serious injuries through strangulation.**

- Ensure that you are sitting fully back in the seat and that the pelvis is as upright and symmetrical as possible - not forward on one side or tilted back.
- Position the lap belt so that the hip bones can be felt above the belt.
- Adjust the length using the buckles so that there is just sufficient room for your hand to slide between your body and the belt. It is recommended that the clasp is kept in a central position, i.e. make adjustments to each side.
- Make sure that the belt cannot slide and the clasp does not dissolve. Refit the pelvic belt if necessary, ® specialist dealer.
- Check and possibly change these adjustments each time the belt is used.

#### **Opening the pelvic belt**

1. Push in the PRESS button and pull the catch Ⓐ out of the buckle Ⓑ. The pelvic belt opens.

#### **Closing the pelvic belt**

1. Push the catch Ⓐ into the buckle Ⓑ.
2. Pull the belt Ⓒ until you are held securely in the wheelchair.

### 4.2 Air pump

The air pump is fitted with a universal valve connection.

1. Remove the dust cap from the valve connection.
2. Push the valve connection onto the open valve on the wheel and pump the wheel up.

### **4.3 Passive illumination**

You can attach reflectors to the rear wheels.

---

## 5 SETUP

---

### 5.1 Safety information

**CAUTION!****Risk of injury**

- Before using the wheelchair, check its general condition and its main functions, 8.2 Maintenance Schedule, page 35.

Your specialist dealer will supply your wheelchair ready for use. Your dealer will explain the main functions and ensure that the wheelchair meets your needs and requirements.

## 6 USING THE WHEELCHAIR

### 6.1 Safety information



**WARNING!**

**Risk of accidents**

Uneven tire pressure can have a huge effect on handling.

- Check the tire pressure before each journey.



**WARNING!**

**Risk of falling out of the wheelchair**

When using too small front wheels the wheelchair could get stuck at curbs or in floor grooves.

- Make sure that the front wheels are suitable for the surface you're driving on.



**CAUTION!**

**Risk of crushing**

There may be a very small gap between the rear wheel and the mudguard with the risk that you could trap your fingers.

- Ensure that you always propel your wheelchair using the handrims only.



**CAUTION!**

**Risk of crushing**

There may be a very small gap between the rear wheel and the parking brake with the risk that you could trap your fingers.

- Ensure that you always propel your wheelchair using the handrims only.

### Theft and metal detection systems

In seldom cases the materials used in the wheelchair may activate theft and metal detection systems.

## 6.2 Braking during use

Whilst you are moving, you brake by transferring force to the handrim with your hands.



### **WARNING!** **Risk of overturning**

If you apply the parking brakes while you are moving, the direction of movement can become uncontrollable and the wheelchair may stop suddenly, which can lead to a collision or to you falling out.

- Never apply the parking brakes while you are moving.



### **WARNING!** **Risk of falling out of the wheelchair**

If the wheelchair is rapidly decelerated by an assistant pulling at the push handles, the user may fall out of the wheelchair.

- Always apply the pelvic belt if present.
- Make sure your assistant has been trained individually in transferring occupied wheelchairs.



### **CAUTION!** **Risk of burning your hands**

If you brake for a long time, a lot of frictional heat is produced at the handrims (especially MaxGrepp and Supergripp).

- Wear suitable gloves.

1. Hold the handrims and press evenly with both hands until the wheelchair stops.

## 6.3 Getting in and out of the wheelchair



### **WARNING!** **Risk of overturning**

There is a high risk of overturning during the transfer.

- Only get in and out without assistance if you are physically able to do so.



### **WARNING!** **Risk of overturning**

The wheelchair could tip forwards if you stand on the footrest.

- Never stand on the footrest when getting in and out.



### **CAUTION!**

If you release or damage the brakes the wheelchair could roll away out of control.

- Do not support yourself on the brakes when getting in and out.



### **IMPORTANT!**

The mudguards and armrests could become damaged.

- Never sit on the mudguards or armrests when getting in and out.

1. Apply the parking brakes.
2. Place your feet on the ground.
3. Hold the wheelchair and, if necessary, also hold a fixed object in the vicinity.
4. Move slowly to chair.

## 6.4 Driving and steering the wheelchair

You drive and steer the wheelchair using the handrims. Before driving without an assistant you must find your wheelchair's tipping point.



### **WARNING!**

#### **Risk of tipping**

The wheelchair can tip backwards if it is not fitted with an antitipper. When finding the tipping point, an assistant must stand immediately behind the wheelchair to catch it if it tips over.

- To prevent tipping, install an antitipper device.



### **WARNING!**

#### **Risk of tipping**

The wheelchair can tip forwards.

- When setting up your wheelchair, test its behaviour in terms of tipping forward and adjust your driving style accordingly.

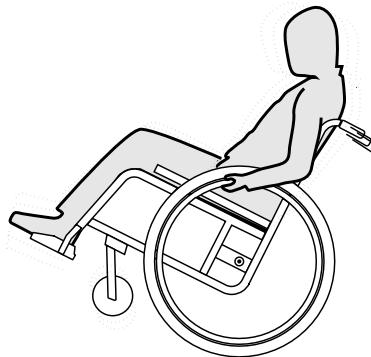


### **CAUTION!**

A heavy load hanging on the backrest can affect the wheelchair's centre of gravity.

- Change your driving style accordingly.

## Finding the tipping point



1. Release the brake.
2. Roll forwards a short distance, grasp both handrims firmly and pull backwards with a slight kick.
3. The shift in weight and steering in opposite directions with the handrims will enable you to identify the tipping point.

## 6.5 Negotiating steps and kerbs



### **WARNING!** **Risk of overturning**

When negotiating steps you could lose your balance and tip the wheelchair over.

- Always approach steps and kerbs slowly and carefully.
- Do not go up or down steps that are higher than 25 cm.



### **CAUTION!**

An activated antitipper prevents the wheelchair from tipping backwards.

- Deactivate the antitipper before going up or down steps or kerbs.

### With an assistant



### Going down a step

1. Move the wheelchair right up to the kerb and hold the handrims.
2. The assistant should hold both push handles, place one foot on the tipper aid (if installed) and tilt the wheelchair backwards so that the front wheels lift off the ground.
3. The assistant should then hold the wheelchair in this position, push it carefully down the step and then tilt it forwards until the front wheels are back on the ground.

## Going up a step



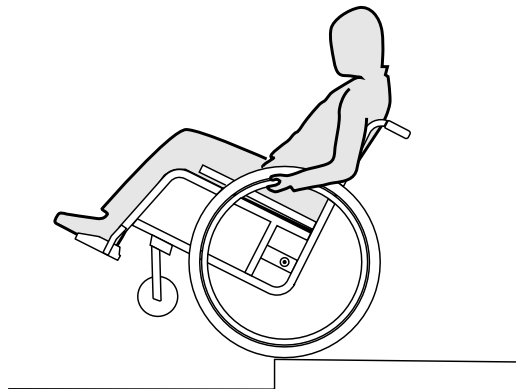
### **WARNING!** **Risk of serious injuries**

Going up steps and kerbs frequently can result in earlier than expected fatigue break of the wheelchair backrest. The user might fall out of the wheelchair.

– Always use a tipper aid when going up steps or kerbs.

1. Move the wheelchair backwards until the rear wheels touch the kerb.
2. The assistant should tilt the wheelchair using both push handles so that the front wheels lift off the ground, then pull the rear wheels over the kerb until the front wheels can be placed back on the ground.

## Without an assistant



### **WARNING!** **Risk of tipping**

When going down a step without an assistant you could tip over backwards if you cannot control your wheelchair.

- First learn how to go down a step with an assistant.
- Learn how to balance on the rear wheels, 6.4 Driving and steering the wheelchair, page 22.

## Going down a step

1. Move the wheelchair right to the kerb, lift the front wheels and keep the wheelchair balanced.
2. Now slowly roll both rear wheels over the kerb. While doing this, hold the handrims firmly with both hands until the front wheels are back on the ground.



## 6.6 Going up and down stairs



### **WARNING!** **Risk of overturning**

When negotiating stairs you could lose your balance and overturn your wheelchair.

- Always use two assistants when negotiating stairs with more than one step.



1. You can go up and down stairs by taking them one step at a time, as described above. The first assistant should stand behind the wheelchair holding the push handles. The second assistant should hold a solid part of the front frame to steady the wheelchair from the front.

## 6.7 Negotiating ramps and slopes



### **WARNING!** **Risk due to wheelchair being out of control**

When negotiating slopes or gradients your wheelchair could tip backwards, forwards or sideways.

- Always have an assistant behind the wheelchair when approaching long slopes.
- Avoid lateral slopes.
- Avoid slopes of more than 7°.
- Avoid jerking when changing direction on a slope.



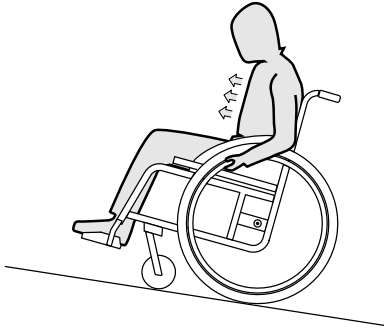
### **CAUTION!**

Your wheelchair could run away even on slightly sloping ground if you do not control it using the handrims.

- Use the parking brakes if your wheelchair is stationary on sloping ground.

## Going up slopes

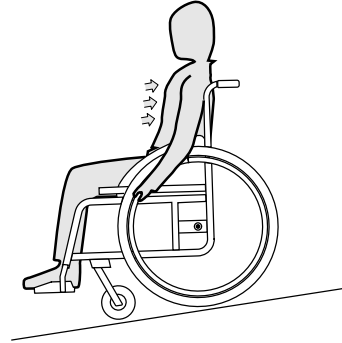
To go up a slope, you must create some momentum, keep up the momentum and control the direction at the same time.



1. Bend your upper body forwards and propel the wheelchair with quick, powerful strokes on both handrims.

## Going down slopes

When going down slopes, it is important to control your direction and particularly your speed.



1. Lean back and carefully allow the handrims to run through your hands. You should be able to stop the wheelchair at any time by gripping the handrims.



### **CAUTION!**

#### **Risk of burning your hands.**

If you brake for a long time, a lot of frictional heat is produced at the handrims (especially MaxGrepp and Supergripp).

– Wear suitable gloves.

## 6.8 Stability and balance when seated

Some everyday activities and actions require you to lean forwards, sideways or backwards out of the wheelchair. This has a major effect on the wheelchair's stability. To keep your balance at all times, proceed as follows:

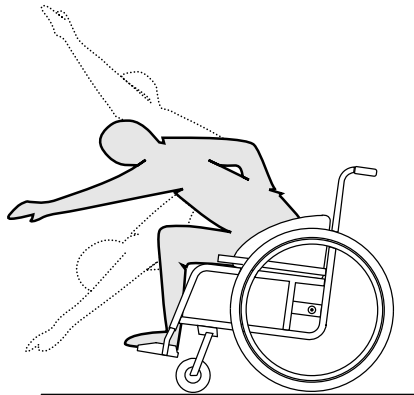
### Leaning forwards



**WARNING!**  
**Risk of falling out**

If you lean forwards out of the wheelchair you could fall out of it.

- Never bend too far forwards and do not shift forwards in your seat to reach an object.
- Do not bend forwards between your knees to pick up something off the floor.



1. Point the front wheels forwards. (To do this, move your wheelchair forwards slightly then back again.)
2. Apply both parking brakes.
3. When leaning forwards your upper body must remain over the front wheels.

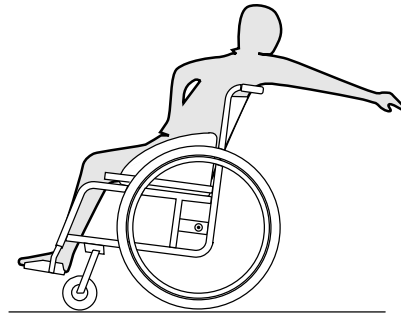
### Reaching backwards



**WARNING!**  
**Risk of falling out**

If you lean too far backwards you could tip your wheelchair over.

- Do not lean out over the backrest.
- Use an antitipper device.



1. Point the front wheels forwards. (To do this, move your wheelchair forwards slightly then back again.)
2. Do not apply the parking brakes.
3. When reaching backwards do not reach so far that you have to change your sitting position.

## 7 TRANSPORT

### 7.1 Safety information



#### **WARNING!**

#### **Risk of injury if the wheelchair is not properly secured**

In the event of an accident, braking manoeuvre, etc. you may suffer serious injuries from flying wheelchair parts.

- Always remove the rear wheels when transporting the wheelchair.
- Firmly secure all wheelchair components in the means of transport to prevent them from coming loose during the journey.



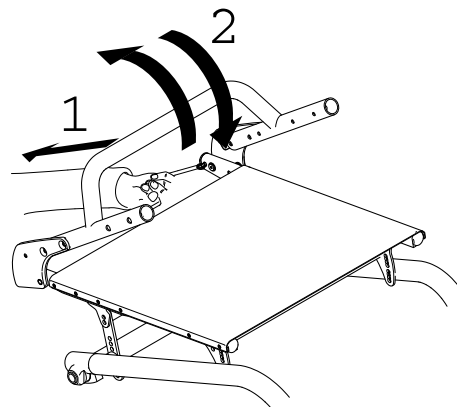
#### **IMPORTANT!**

Excessive wear and abrasion could affect the strength of load-bearing parts.

- Do not pull your wheelchair across abrasive surfaces without the wheels fitted (e.g. pulling the frame over tarmac).

### 7.2 Folding and unfolding the wheelchair

The wheelchair has a rigid frame. Nevertheless, the backrest can be folded forwards and fixed there.



#### **Folding the wheelchair**

1. Remove the seat cushion, if present.
2. Fold the clothes-guard, if present, inwards against the backrest on both sides.
3. Pull the cord on the back of the wheelchair (1) and fold the backrest forward (2) until it engages.
4. The wheelchair can now be lifted using the backrest brace.

## Unfolding the wheelchair

### ! IMPORTANT!

- When unfolding the wheelchair, do not pull the backrest brace without previously releasing the backrest using the cord.
- Check that the backrest is completely engaged on the frame, before you use the wheelchair again.

1. Pull the cord on the backrest of the wheelchair (1).
2. Pull the backrest backwards (2) using the backrest brace, until the backrest tube engages on both sides of the frame.
3. Fold the clothes-guard back into position on both sides.

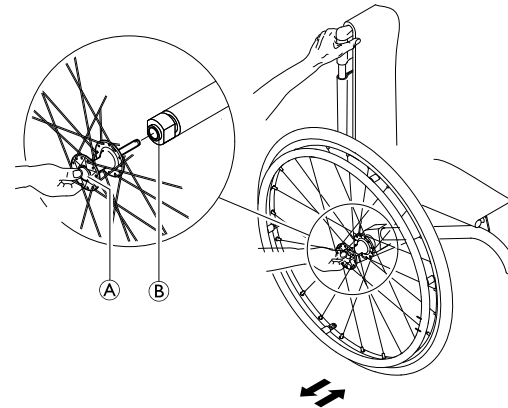
## 7.3 Removing and fitting the rear wheels



### WARNING! Risk of overturning

If the removable axle of a rear wheel is not fully engaged, the wheel can become loose during use. This can lead to overturning.

- Always ensure that the removable axles are fully engaged whenever you fit a wheel.



### Removing the rear wheels

1. Release the brakes.
2. With one hand, hold the wheelchair upright.
3. With the other, hold the wheel through the external spoke rim around the wheel hub.
4. Using your thumb, press the removable axle button (A). Keep it pressed and pull the wheel out of the adapter sleeve (B).

### Fitting the rear wheels

1. Release the brakes.
2. With one hand, hold the wheelchair upright.
3. With the other, hold the wheel through the external spoke rim around the wheel hub.
4. Using your thumb, press the removable axle button and hold it down.
5. Push the axle into the adapter sleeve (B) up to the stop.
6. Release the removable axle button and make sure that the wheel is secure.

## 7.4 Transporting the occupied wheelchair in a vehicle

Even when the wheelchair is properly secured and the following rules are met, injuries to passengers may occur in a collision or sudden stop. Therefore kÜschall® strongly recommends transferring the wheelchair user to the vehicle seat with the seatbelt on. Do not make alterations or substitutions to points of the wheelchair (structure, frame or parts) without the written consent of KÜschall AG. The wheelchair has been successfully tested according to the requirements of ISO 7176-19.



### **WARNING!**

#### **Risk of serious injury or death**

To use the wheelchair as a seat in a vehicle the backrest height must be at least 400 mm.

To transport the wheelchair with user in a vehicle, a restraint system must be installed in the vehicle. Wheelchair tie-downs and occupant restraint systems must be approved according to ISO 10542-1. Contact your local Invacare® representative or specialist dealer for more information on getting and installing an approved and compatible restraint system.



### **WARNING!**

If, for some reason, it is impossible to transfer the wheelchair user to a vehicle seat, the wheelchair can be used as a seat in a vehicle if the following procedures and regulations are followed.

- The wheelchair must be secured in the vehicle with a 4-point wheelchair restraint system.
- The user must wear a 3-point passenger restraint system secured to the vehicle.
- The user must be additionally secured with a posture belt in the wheelchair.



### **WARNING!**

Safety restraint devices must only be used when the wheelchair user's weight is 22 kg or more (ISO-7176-19).

- Do not use the wheelchair as a seat in a vehicle when the user weight is lower than 22 kg.



### **WARNING!**

- Before journey contact transporter and request information about the capability for the below required equipment.
- Make sure there is sufficient free space around the wheelchair and user to avoid the user making contact with other vehicle occupants, unpadded parts of the vehicle, wheelchair accessories or anchor points of the restraint system.



### **WARNING!**

- Make sure the tie-down points at the wheelchair are not damaged and that the parking brakes are fully functional.
- It's recommended to use puncture-proof tires during transport to avoid brake problems due to reduced tire pressure.

**WARNING!**

Injury or damage may occur from wheelchair components or accessories loosened during a collision or sudden stop.

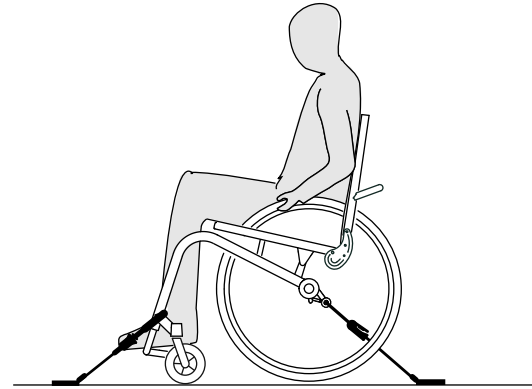
- Ensure all removable or detachable components and accessories are removed from the wheelchair and securely stored in the vehicle.
- It is essential to have your wheelchair checked by a specialist dealer after an accident, collision etc.

**IMPORTANT!**

It is recommended that training be given on the proper use of a restraint system product.

- Refer to the user manuals supplied with the restraint systems.
- The following illustrations may differ depending on the restraint system supplier.

## Securing the wheelchair with a 4-point restraint system

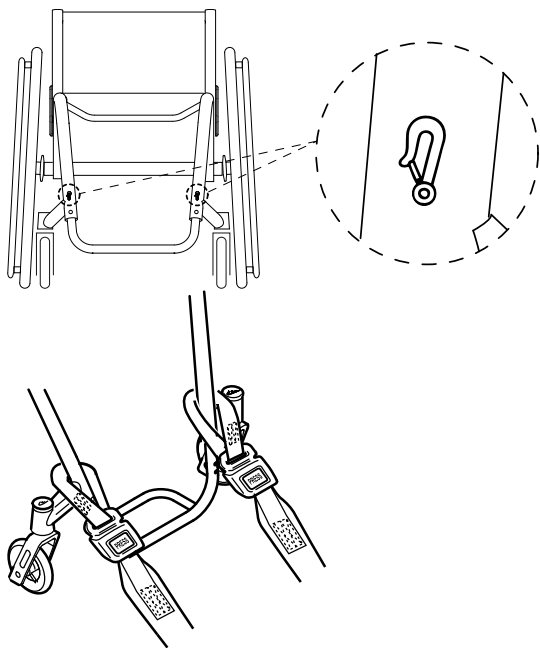
**WARNING!**

- Place the wheelchair with the user forward-facing in direction of vehicle travel.
- Apply the wheelchair parking brakes.
- Activate antitipper (if installed).

The wheelchair tie-down positions where the restraint system straps must be placed are marked with snap hook symbols (see following figures and section 1.2 Symbols in this manual, page 5).

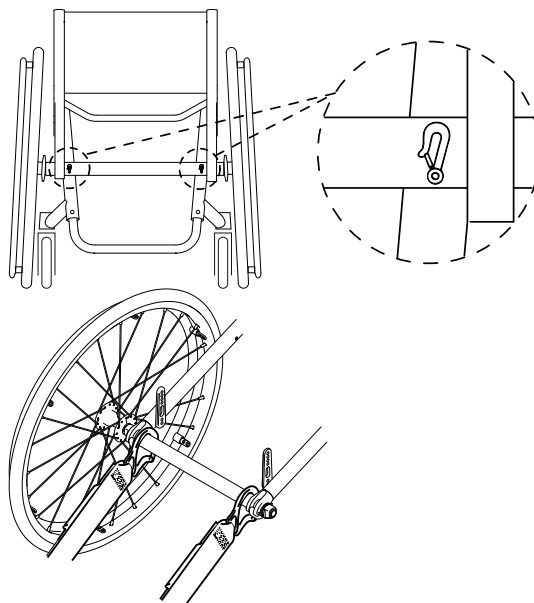
1. Using the front and rear straps of the 4-point restraint system, secure the wheelchair to the vehicle mounted rails. Refer to the user manual supplied with 4-point restraint system.

Front side tie-down positions for belt straps:



1. Attach the front straps above the castor supporters as shown in the two figures above (see location of the attachment labels).
2. Attach front straps to the rail system referring to best practice recommended instructions from the safety belt manufacturer.
3. Release parking brakes and apply tension front straps by pulling the wheelchair backwards from the rear.
4. Re-apply parking brakes.

Rear side tie-down positions for snap hooks:



1. Attach the snap hooks to the axle right next to the axle holders as shown in the two figures above (see location of the attachment labels).
2. Attach rear straps to the rail system referring to best practice recommended instructions from the safety belt manufacturer.
3. Tighten the straps.



**!** **IMPORTANT!**

- Make sure that the snap hooks are covered with slip resistant material to avoid laterally slipping on the axle.

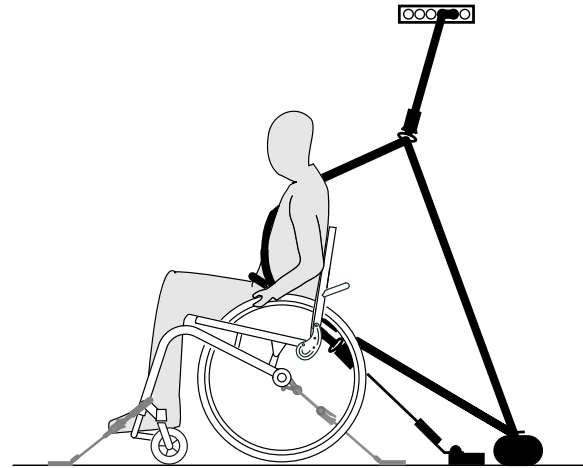
**!** **IMPORTANT!**

- Check the plungers are fully engaged on both sides and located in the same position of the cut-out section of the rail.
- Make sure that the angle between the rails and the straps lies between 40° and 45°.

**Fit posture belt****WARNING!**

The posture belt must be used in addition to but never as a substitute for an approved passenger restraint system (3-point belt).

1. Adjust posture belt to fit the wheelchair occupant, see section 4.1 Pelvic belt, page 17.

**Fastening the 3-point passenger restraint system****IMPORTANT!**

The illustration above may differ depending on the restraint system supplier.



**WARNING!**

- Ensure the 3-point passenger restraint system fits as tightly across the user's body as possible without discomfort and no part is twisted.
- Ensure the 3-point passenger restraint system is not held away from the user's body by parts of the wheelchair such as armrests or wheels etc.
- Ensure the user restraint has a clear path from the user to the anchor point without interference by any part of the vehicle, wheelchair, seating or accessory.
- Ensure the lap belt fits snugly over the occupant's pelvis and is not allowed to ride up into the abdominal area.
- Ensure the user is able to reach the release mechanism unaided.

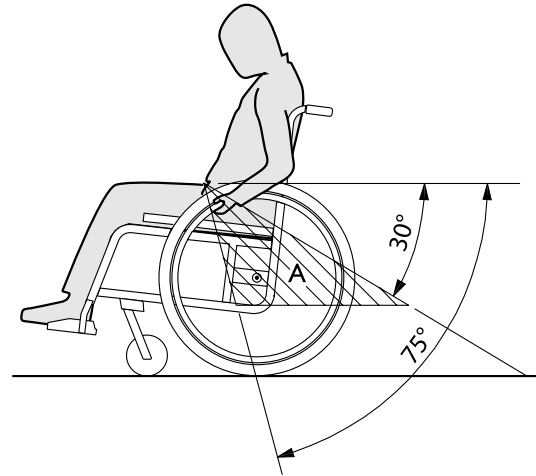


1. Attach the 3-point passenger restraint system referring to the user manual supplied with your 3-point restraint system.



**IMPORTANT!**

- Apply the pelvic belt of the 3-point passenger restraint system low across the pelvis so that the angle of the pelvic belt is within the preferred zone (A) of 30° to 75° to the horizontal. A steeper angle is preferred, but never exceeding 75°.



## 8 MAINTENANCE

### 8.1 Safety information



#### WARNING!

Some materials deteriorate naturally over time. This could result in damage to wheelchair components.

- Your wheelchair should be checked by a specialist dealer at least once a year or if it has not been used for a long period.



Your *küschall*® specialist dealer can provide help in carrying out regular maintenance. To find an authorised specialist dealer near you, contact the *küschall*® distributor for your country (end of this document).

### 8.2 Maintenance Schedule

To ensure safe and reliable operation, carry out the following checks and maintenance regularly or have it carried out by another person.

	weekly	monthly	annually
Check the tire pressure	x		
Check that rear wheels are seated correctly	x		
Checking the adjustment of the backrest joint	x		
Check pelvic belt	x		

	weekly	monthly	annually
Visual check		x	
Clean the front wheels		x	
Check bolts		x	
Check spokes		x	
Check parking brakes		x	
Have wheelchair checked by a specialist dealer			x

#### Check the tire pressure

1. Check the tire pressure, 3.10 Tires, page 15.
2. Inflate the tires to the required pressure.
3. Check the tire tread at the same time.
4. If necessary, change the tires.

#### Check that rear wheels are seated correctly

1. Pull on the rear wheel to check that the removable axle is seated correctly. The wheel should not come off.
2. If the rear wheels are not engaged properly, remove any dirt or deposits. If the problem persists, have the removable axles re-fitted by a specialist dealer.

#### Check the adjustment of the backrest joint

1. Sit into the wheelchair and lean back on the backrest. The backrest must be correctly engaged.
2. Pull the release cord. The pins must be free-moving on both sides. Otherwise, the backrest joint will have to be re-fitted by a specialist dealer.

## Check pelvic belt

1. Check that the pelvic belt is adjusted correctly.

### ! IMPORTANT!

- Loose pelvic belts must be adjusted by a specialist dealer.
- Damaged pelvic belts must be replaced by a specialist dealer.

## Visual check

1. Examine your wheelchair for loose parts, cracks or other defects.
2. If you find anything, have your wheelchair checked immediately by a specialist dealer.

## Clean the front wheels

1. Check that the front wheels turn freely.
2. Remove any dirt or hair from the front wheel bearings.

## Check the bolts

Bolts can work loose through constant use.

1. Check that the bolts are tight (on the footrest, seat cover, sides, backrest, frame, seat module).
2. Tighten any loose bolts with the suitable torque. Therefore refer to the Service Manual, available on the internet at [www.kueschall.com](http://www.kueschall.com).

### ! IMPORTANT!

- Safety nuts and bolts lose their effectiveness as a result of repeated loosening and tightening.
  - Safety nuts and bolts must be replaced by a specialist dealer.

## Check the spoke tension

The spokes should not be loose or distorted.

1. Loose spokes must be tightened by a specialist dealer.
2. Broken spokes must be replaced by a specialist dealer.

## Check the parking brakes

1. Check that the parking brakes are positioned correctly. The brake is set correctly if the brake shoe depresses the tire by a few millimeters when the brake is applied.
2. If you find that the setting is not correct, have the brakes correctly set by a specialist dealer.

### ! IMPORTANT!

- The parking brakes must be reset after replacing the rear wheels or changing their position.

## Checking after a heavy collision or blow

### ! IMPORTANT!

- The wheelchair can sustain visibly undetectable damage as a result of a heavy collision or hard blow.
  - It is essential to have your wheelchair checked by a specialist dealer after a heavy collision or hard blow.

## Repairing or changing an inner tube

1. Remove the rear wheel and release any air from the inner tube.
2. Lift one tire wall away from the rim using a bicycle tire lever. Do not use sharp objects such as a screwdriver which could damage the inner tube.
3. Pull the inner tube out of the tire.

4. Repair the inner tube using a bicycle repair kit or, if necessary, replace the tube.
5. Inflate the tube slightly until it becomes round.
6. Insert the valve into the valve hole on the rim and place the tube inside the tire (the tube should lie right round the tire with no creases).
7. Lift the tire wall over the edge of the rim. Start close to the valve and use a bicycle tire lever. When doing this, check all the way round to ensure that the inner tube is not trapped between the tire and the rim.
8. Inflate the tire to the maximum operating pressure. Check that no air is escaping from the tire.

### Spare parts



All spare parts may be obtained from a küschall® specialist dealer. A current list of spare parts is available on the internet at [www.kueschall.com](http://www.kueschall.com).

### 8.3 Cleaning

Your wheelchair will serve you well for many years if you clean it regularly.



#### IMPORTANT!

Sand and seawater can damage the bearings and steel parts can rust if the surface is damaged.

- Only expose the wheelchair to sand and seawater for short periods and clean it after every trip to the beach.



#### IMPORTANT!

- Do not use coarse abrasives, aggressive cleaning products or high-pressure cleaners.

1. Clean the cushions and metal parts with a soft, damp cloth.
2. Dry the wheelchair carefully with a cloth after using it in the rain or in the shower.
3. If the wheelchair is dirty, wipe off the dirt as soon as possible with a damp cloth and dry it carefully.

### 8.4 Disinfection

The wheelchair may be disinfected by spraying or wiping with tested, approved disinfectants.



The Robert Koch Institute has a list of currently approved disinfectants at [www.rki.de](http://www.rki.de).

---

## 9 TROUBLESHOOTING

---

### 9.1 Safety information

Faults may arise as a result of daily use, adjustments or changing demands on the wheelchair. The table below shows how to identify and repair faults.



#### **CAUTION!**

- Contact your specialist dealer immediately if you notice a fault with your wheelchair, e.g. a significant change in handling.



#### **IMPORTANT!**

- Some of the actions listed must be carried out by an authorised specialist dealer. These are indicated. We recommend that *all* adjustments are carried out by a specialist dealer.

## 9.2 Identifying and repairing faults

Fault	Possible cause	Action
The wheelchair does not travel in a straight line	Incorrect tire pressure on one rear wheel	Correct tire pressure, ® 3.10 Tires, page 15
	One or more spokes broken	Replace faulty spoke(s), ® specialist dealer
	Spokes tightened unevenly	Tighten loose spokes, ® specialist dealer
	Front wheel bearings are dirty or damaged	Clean or replace the bearings, ® specialist dealer
The wheelchair tips backwards too easily	Rear wheels are mounted too far forwards	Mount the rear wheels further back, ® specialist dealer
	Back angle too large	Reduce the backrest angle, ® specialist dealer
The brakes are gripping poorly or asymmetrically	Incorrect tire pressure in one or both rear tires	Correct tire pressure, ® 3.10 Tires, page 15
	Brake setting incorrect	Correct the brake setting, ® specialist dealer
Rolling resistance is very high	Tire pressure in rear tires is too low	Correct tire pressure, ® 3.10 Tires, page 15
	Rear wheels not parallel	Ensure the rear wheels are parallel, ® specialist dealer
The front wheels wobble when moving fast	Too little tension in front wheel bearing block	Tighten the nut on the bearing block axle slightly, ® specialist dealer
	Front wheel has worn smooth	Change front wheel, ® specialist dealer
The front wheel is stiff or stuck	Bearings are dirty or faulty	Clean or replace the bearings, ® specialist dealer

---

## 10 AFTER USE

---

### 10.1 Storage



#### **IMPORTANT!**

Risk of damage to the product

- Do not store the product near heat sources.
- Never store other items on top of the wheelchair.
- Store the wheelchair indoors in a dry environment.
- Refer to section 11.2 Environmental conditions, page 42.

After long-term storage (more than four months) the wheelchair must be inspected in accordance to chapter 8 Maintenance, page 35.

### 10.2 Re-use

The wheelchair is suitable for re-use. The following actions should be taken:

- Cleaning and disinfection, 8.3 Cleaning, page 37 and 8.4 Disinfection, page 37 in this manual.
- Inspection, 8.2 Maintenance Schedule, page 35 in this manual.
- The wheelchair should be adapted for the new user in accordance with the service documentation (available from the *küschall*® distributor in your country).

### 10.3 Disposal

Be environmentally aware and dispose of your wheelchair properly. Disposal is subject to national and local regulations.



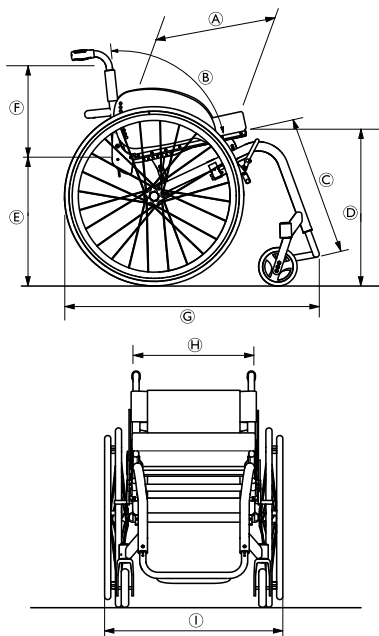
For correct disposal, contact your specialist dealer or ask your town or district council about local waste management companies.



## 11 TECHNICAL DATA

### 11.1 Dimensions and weight

All dimension an weight specifications refer to a seat width of 400 mm, seat depth of 400 mm in a standard configuration of the wheelchair. Dimension an weight may alter according to different configurations.



Ⓐ	Seat depth	375 – 475 mm, in increments of 25 mm
Ⓑ	Backrest angle	74°/78°/82°/86°/90°
Ⓒ	Knee-to-heel length	400 – 480 mm, in increments of 10 mm
Ⓓ	Seat height front	480 – 510 mm, in increments of 10 mm
Ⓔ	Seat height rear	400 – 480 mm, in increments of 10 mm
Ⓕ	Backrest height	315 – 480 mm, in increments of 15 mm
Ⓖ	Total length	75°: approx. 830 mm 90°: approx. 760 mm
Ⓗ	Seat width	360 – 480 mm, in increments of 20 mm
Ⓘ	Total width	Seat width + 170 mm
	Total weight	approx. 10,3 kg
	Transport weight (without rear wheels)	approx. 7 kg
	Maximum user weight	120 kg
	Reversing width	920 – 1230 mm
	Center of gravity	80 – 140 mm, in increments of 15 mm
	Max. safe slope	7°

## 11.2 Environmental conditions

Do not expose the wheelchair to temperatures below -20 °C or above 40 °C.

## 11.3 Materials

The components used to manufacture küschall® wheelchairs consist of following materials:

Frame tubes / Backrest tubes	Aluminium / Titanium <sup>1)</sup> / Carbon <sup>1)</sup>
Seat cover / Backrest cover	PA / PE / PVC
Push handle	Steel / Aluminium / PVC
Clothes guard / Mudguard	Plastic or Carbon <sup>1)</sup>
Supporting parts / Attachments	Steel / Aluminium / Titanium <sup>1)</sup>
Screws and bolts	Steel
Castors	Aluminium

<sup>1)</sup> Not for all küschall® wheelchair models Carbon and/or Titanium options are available.

---

# CONTENIDO

---

Este manual DEBE ser entregado al usuario final. ANTES de usar este producto lea este manual y guárdelo para futuras referencias.

<b>1</b>	<b>Generalidades</b>	<b>45</b>
1.1	Información sobre el manual del usuario	45
1.2	Símbolos en este manual	45
1.3	Garantía	45
1.4	Estándares y normativas	46
1.5	Uso debido	46
1.6	Vida útil	46
1.7	Protección de la propiedad intelectual	46
<b>2</b>	<b>Seguridad</b>	<b>47</b>
2.1	Información de seguridad	47
2.2	Dispositivos de seguridad	48
2.3	Etiquetas y símbolos en el producto	48
<b>3</b>	<b>Estructura y funcionamiento</b>	<b>50</b>
3.1	Información general	50
3.2	Frenos de estacionamiento	51
3.3	Respaldo	52
3.4	Empuñaduras	53
3.5	Reposabrazos, con ajuste en altura infinito, sin bloqueo	54
3.6	Guardabarros	54
3.7	Protector de ropa	55
3.8	Reposapiés	55
3.9	Dispositivo antivuelco	55
3.10	Neumáticos	56
3.11	Cojín del asiento	57
3.12	Posición del asiento	57

<b>4</b>	<b>Accesorios</b>	<b>58</b>
4.1	Cinturón pélvico	58
4.2	Bomba de inflar	59
4.3	Iluminación pasiva	59
<b>5</b>	<b>Instalación</b>	<b>60</b>
5.1	Indicaciones de seguridad	60
<b>6</b>	<b>Conducción de la silla de ruedas</b>	<b>61</b>
6.1	Información sobre seguridad	61
6.2	Frenado durante la marcha	62
6.3	Subida y bajada de la silla de ruedas	62
6.4	Propulsión y conducción de la silla de ruedas	63
6.5	Desplazamiento con escalones y descansillos	64
6.6	Bajar escaleras	66
6.7	Conducción sobre rampas y pendientes	67
6.8	Estabilidad y equilibrio al estar sentado	68
<b>7</b>	<b>Transporte</b>	<b>70</b>
7.1	Indicaciones de seguridad	70
7.2	Plegado y desplegado de la silla de ruedas	70
7.3	Montaje y desmontaje de las ruedas traseras	71
7.4	Transporte de la silla de ruedas ocupada en un vehículo	72
<b>8</b>	<b>Mantenimiento</b>	<b>79</b>
8.1	Indicaciones de seguridad	79
8.2	Plan de mantenimiento	79
8.3	Cuidado	81
8.4	Desinfección	82
<b>9</b>	<b>Solución de problemas</b>	<b>83</b>
9.1	Indicaciones de seguridad	83
9.2	Detección y reparación de averías	84

<b>10</b>	<b>Después del uso</b>	<b>86</b>
10.1	Almacenamiento	86
10.2	Reutilización	86
10.3	Eliminación de desechos	86
<b>11</b>	<b>Datos técnicos</b>	<b>87</b>
11.1	Dimensiones y peso	87
11.2	Condiciones ambientales	88
11.3	Materiales	88

# 1 GENERALIDADES

## 1.1 Información sobre el manual del usuario

Gracias por elegir una silla de ruedas küschall®.

Este manual del usuario contiene información importante sobre el uso de la silla de ruedas. Para garantizar la seguridad cuando utilice la silla de ruedas, lea detenidamente el manual del usuario y siga la información de seguridad.

Si tiene problemas de vista, puede consultar el manual del usuario en formato PDF, que se encuentra en Internet en [www.kuschall.com](http://www.kuschall.com) y aumentar su tamaño tanto como sea necesario para verlo en pantalla. Si no puede aumentar lo suficiente el tamaño del texto y de los gráficos, póngase en contacto con el distribuidor de küschall® de su país; ® direcciones en el dorso de este documento. En caso de ser necesario, le proporcionaremos un fichero PDF de alta resolución con el manual del usuario. Además, puede utilizar programas de ordenador adecuados provistos de funciones de lenguaje especiales (por ejemplo, Adobe®Reader®X: Mayús+Ctrl+Y) para leer el fichero PDF en voz alta.



El equipamiento de la silla de ruedas puede diferir de las descripciones y los diagramas expuestos aquí, debido a la amplia gama de modelos disponible.

Para obtener la información importante más reciente sobre el producto, visite nuestro sitio web en [www.kuschall.com](http://www.kuschall.com), consulte al distribuidor local o póngase en contacto con las oficinas de Invacare® en su país (las direcciones se encuentran en la contraportada de este manual).

## 1.2 Símbolos en este manual

Las advertencias se identifican mediante símbolos en este manual del usuario. Las indicaciones van precedidas de textos de señalización que expresan la magnitud del peligro.



### ADVERTENCIA

Indica una posible situación peligrosa que, de no ser evitada, puede provocar lesiones graves o la muerte.



### PRECAUCIÓN

Indica una posible situación peligrosa que, de no ser evitada, puede provocar lesiones leves o moderadas.



### IMPORTANTE

Indica una posible situación peligrosa que, de no ser evitada, puede provocar daños materiales.



Pone de relieve consejos y recomendaciones útiles, así como información para el uso eficiente y sin averías.



Este producto cumple con la Directiva 93/42/CEE en lo concerniente a dispositivos médicos. La fecha de lanzamiento de este producto figura en la declaración de conformidad CE.



Fabricante

## 1.3 Garantía

Küschall AG garantiza el perfecto estado y funcionamiento de su silla de ruedas. La garantía cubre todas las averías y defectos que de forma probada proceden de una fabricación incorrecta, mala

calidad de los materiales o modelo defectuoso. Los derechos de garantía frente a Kuschall AG sólo pueden ser reclamados por el distribuidor, y no por el usuario de la silla de ruedas.

Esta garantía no cubre las consecuencias del desgaste normal, de un uso incorrecto o daños, así como la falta de mantenimiento, el montaje o puesta en marcha defectuosos por parte del comprador o de terceros, o problemas que son consecuencia de circunstancias externas. Las piezas de cierre quedan excluidas de la garantía. La obligación de garantía se cancela cuando en la silla de ruedas se han realizado modificaciones no previstas y no ejecutadas por el distribuidor especializado, así como por el empleo de recambios inapropiados. La garantía de Kuschall AG no incluye los gastos que surgen como consecuencia de la subsanación del problema, por ejemplo los fletes o transporte, costes salariales, gastos de viaje, etc.

El plazo de validez de la garantía es de 24 meses. La estructura tiene una garantía de hasta 5 años.

Además, las condiciones forman parte de las condiciones generales de cada país donde se vende el producto.

## 1.4 Estándares y normativas

La calidad es fundamental para el funcionamiento de la empresa, que trabaja conforme a las normativas ISO 9001 e ISO 13485.

Se ha probado la silla de ruedas según la norma EN 12183. Entre las evaluaciones se incluye una prueba de inflamabilidad.

Kuschall AG trabaja continuamente para garantizar que se reduce al mínimo el impacto medioambiental de la empresa, tanto local como globalmente. Solo utilizamos materiales y componentes que cumplen con las directivas REACH y RoHS.

## 1.5 Uso debido

La silla de ruedas activa se acciona manualmente y sirve exclusivamente para el movimiento autónomo o con

acompañante de una persona con impedimentos para caminar. Solamente las personas física y mentalmente capaces pueden utilizar de forma segura el dispositivo sin la ayuda de un asistente (por ejemplo accionarla, dirigirla y frenarla). La silla de ruedas debe utilizarse exclusivamente sobre suelos lisos, en terrenos no dificultosos o en espacios interiores. Esta silla de ruedas activa debe adaptarse y ajustarse a su estado de salud concreto.



### ¡ADVERTENCIA!

Todo uso distinto del previsto o utilización inadecuada de la silla de ruedas puede provocar situaciones peligrosas.

## 1.6 Vida útil

La vida útil prevista es de cinco años, siempre y cuando el producto se utilice diariamente y conforme a las instrucciones de seguridad y las instrucciones de mantenimiento, y se respete el uso previsto, tal y como se indica en el presente manual.

## 1.7 Protección de la propiedad intelectual

Este manual del usuario está protegido por derechos de propiedad intelectual. Su reimpresión, reproducción o transmisión a terceros, ya sea total o parcial, no se permite sin el consentimiento previo por escrito del fabricante.

## 2 SEGURIDAD

### 2.1 Información de seguridad

En esta sección se incluye información importante de seguridad para la protección del usuario de la silla de ruedas y su cuidador, así como para el uso seguro y sin problemas de la silla de ruedas.



#### **¡ADVERTENCIA!**

##### **Riesgo de accidentes y de lesiones graves**

Se pueden producir accidentes con lesiones graves si la silla de ruedas no está correctamente ajustada.

- Los ajustes de la silla de ruedas siempre deben ser realizados por un distribuidor especialista.



#### **¡ADVERTENCIA!**

##### **Riesgos debidos a un estilo de conducción inadecuado para las condiciones**

Existe el riesgo de que la silla de ruedas patine en suelos húmedos, en gravilla o en terrenos irregulares.

- Adapte siempre la velocidad y el estilo de conducción a las condiciones (condiciones climatológicas, tipo de superficie, habilidad individual, etc.).



#### **¡ADVERTENCIA!**

##### **Riesgo de lesiones**

En caso de colisión, podría sufrir lesiones en partes del cuerpo que sobresalen de la silla de ruedas (por ejemplo, los pies o las manos).

- En caso de colisión inminente, frene la silla.
- No conduzca nunca hacia un objeto de frente.
- Conduzca con cuidado por espacios estrechos.



#### **¡ADVERTENCIA!**

##### **Riesgos provocados por una silla de ruedas fuera de control**

A velocidades altas, podría perder el control de la silla de ruedas y volcar.

- Nunca supere una velocidad de 7 km/h.
- Evite las colisiones en general.



#### **¡PRECAUCIÓN!**

##### **Riesgo de quemaduras**

Los componentes de la silla de ruedas pueden calentarse cuando se exponen a fuentes externas de calor.

- No exponga la silla de ruedas a la luz solar intensa antes de utilizarla.
- Antes de utilizarla, compruebe la temperatura de todos los componentes que están en contacto con la piel.

**¡PRECAUCIÓN!****Riesgo de atrapamiento**

Siempre existe el riesgo de que sus dedos o brazos queden atrapados entre las partes móviles de la silla de ruedas.

- Al accionar los mecanismos de plegado o inserción de las piezas en movimiento, como el eje extraíble de la rueda trasera, o bien al plegar el respaldo o el dispositivo antivuelco, existe riesgo de atrapamiento.

**2.2 Dispositivos de seguridad****¡ADVERTENCIA!****Peligro de accidente**

Unos dispositivos de seguridad (frenos, dispositivos antivuelco) incorrectamente ajustados o que no funcionen pueden provocar accidentes.

- Antes de cada uso de la silla de ruedas, compruebe el funcionamiento de los dispositivos de seguridad y encargue su control periódicamente a un distribuidor especializado.

Las funciones de los dispositivos de seguridad se describen en el capítulo 3 Estructura y funcionamiento, página 50.

**2.3 Etiquetas y símbolos en el producto****Etiqueta de identificación**

La etiqueta de identificación se fija al chasis de la silla de ruedas y le ofrece la siguiente información:



(A)	Dirección del fabricante
(B)	Descripción del producto
(C)	Fecha de fabricación
(D)	Instrucción que indica que se lea el manual del usuario
(E)	Peso máximo del usuario
(F)	Instrucción que indica que esta silla de ruedas no está diseñada para el transporte de pasajeros en vehículos con una altura de respaldo inferior a 400 mm. Si la altura del respaldo es superior a 400 mm, está autorizado el transporte de pasajeros en vehículos bajo las siguientes condiciones, ® 7.4 Transporte de la silla de ruedas ocupada en un vehículo, página 72. En este caso, el símbolo (F) no está tachado en la etiqueta de identificación.
(G)	Número de serie
(H)	Advertencia de que se trata de una silla de ruedas activa y que es posible volcar



### **Símbolo del gancho de mosquetón**



Posiciones de fijación donde deben colocarse las correas del sistema de fijación en caso de transportar la silla de ruedas ocupada en un vehículo.

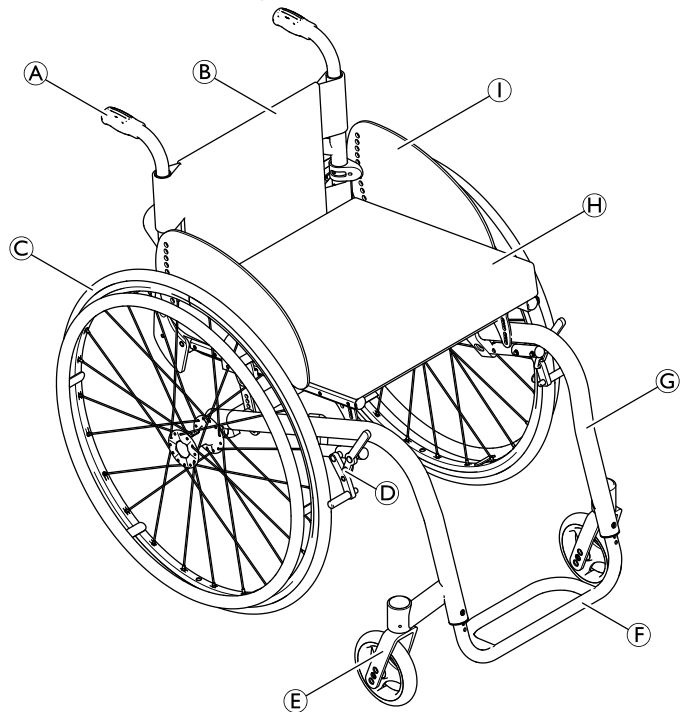
### **Etiqueta de advertencia del dispositivo antivuelco**



Siga las instrucciones del manual del usuario antes de utilizar el dispositivo antivuelco.

## 3 ESTRUCTURA Y FUNCIONAMIENTO

### 3.1 Información general



Ⓐ	Empuñadura
Ⓑ	Respaldo
Ⓒ	Rueda trasera con aro de empuje
Ⓓ	Freno de estacionamiento
Ⓔ	Horquilla con rueda giratoria
Ⓕ	Reposapiés
Ⓖ	Chasis
Ⓗ	Asiento/cojín
Ⓘ	Protector de ropa

#### Breve descripción

La kúschall K-Series *attract* es una silla de ruedas de chasis rígido y respaldo abatible.



El equipamiento de la silla de ruedas puede diferir del diagrama, ya que cada silla de ruedas se fabrica de forma individual según las especificaciones del pedido.

## 3.2 Frenos de estacionamiento

Los frenos de estacionamiento se utilizan para inmovilizar la silla de ruedas cuando se ha detenido, para evitar que ruede.



### ¡ADVERTENCIA!

#### Peligro de vuelco si se frena bruscamente

Si acciona los frenos de estacionamiento con la silla en movimiento, se puede perder el control sobre la dirección del movimiento y es posible que la silla de ruedas se detenga bruscamente, lo cual podría provocar una colisión o una caída.

- No accione nunca los frenos de estacionamiento mientras la silla esté en movimiento.



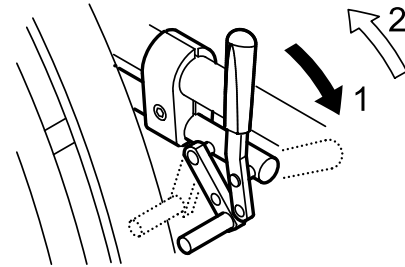
### ¡ADVERTENCIA!

#### Peligro de caída

Los frenos de estacionamiento no funcionarán correctamente, a menos que haya aire suficiente en los neumáticos.

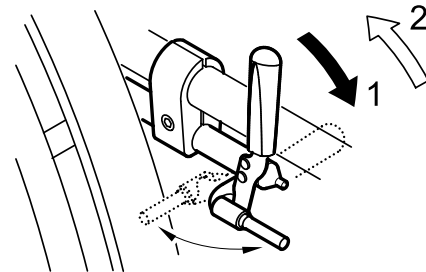
- Asegúrese de dar a los neumáticos la presión correcta 3.10 Neumáticos, página 56.

### Freno estándar



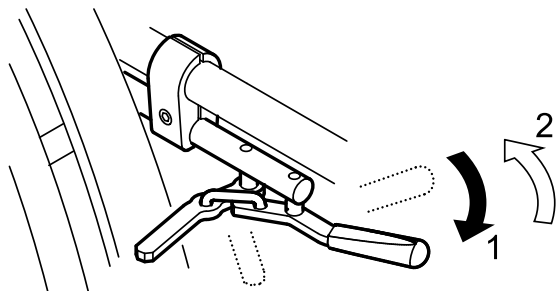
1. Para accionar el freno, pulse la palanca del freno hacia delante tanto como sea posible.
2. Para liberar el freno, tire de la palanca del freno hacia atrás.

### Freno performance



1. Para accionar el freno, pulse la palanca del freno hacia delante tanto como sea posible.
2. Para liberar el freno, tire de la palanca del freno hacia atrás.

## Freno activo



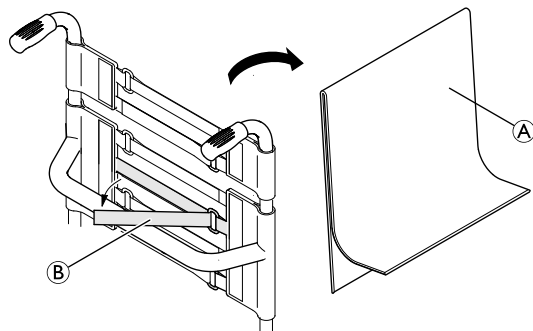
1. Para accionar el freno, tire de la palanca del freno hacia delante junto o entre las rodillas, tanto como sea posible.
2. Para liberar el freno, empuje la palanca del freno hacia atrás junto o entre las rodillas.

## 3.3 Respaldo

### Funda del respaldo

Puede ajustar la tensión de la funda del respaldo cuanto sea necesario.

## Ajuste de la funda del respaldo



1. Quite el cojín del respaldo (A).
2. Afloje las cintas de Velcro® (B) en la parte posterior de la funda del respaldo, simplemente tirando de ellas.
3. Apriete o afloje las cintas cuanto sea necesario y, a continuación, vuelva a ajustarlas.



### ¡ADVERTENCIA!

#### Riesgo de volcado

Si las bandas se aflojan mucho, el punto de volcado de la silla de ruedas empeora.

- Asegúrese de que las bandas están colocadas correctamente.

### Altura del respaldo

La altura del respaldo se puede ajustar. Este ajuste debe realizarlo un distribuidor especialista.

### Ángulo del respaldo

El ángulo del respaldo se puede ajustar. Este ajuste debe realizarlo un distribuidor especialista.

## Barra del respaldo



### ¡ADVERTENCIA! Riesgo de accidentes

La barra del respaldo no está diseñada para levantar o arrastrar la silla de ruedas mientras el usuario está sentado, ya que podría romperse.

- No se puede utilizar la barra del respaldo para levantar o arrastrar la silla de ruedas cuando el usuario está sentado.

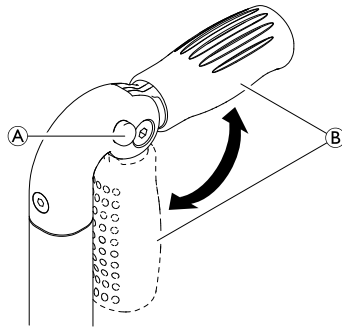
## 3.4 Empuñaduras



### ¡IMPORTANTE!

- Antes de cada uso compruebe que las empuñaduras están bien sujetas y que no pueden girarse ni extraerse.

### Empuñaduras abatibles (opcionales)



1. Pulse por completo el botón **A** y levante la empuñadura abatida **B** hasta que encaje de forma audible.



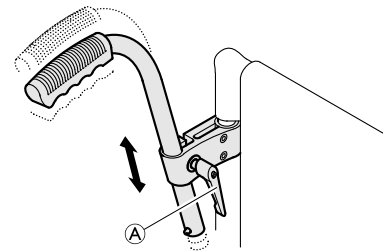
### ¡PRECAUCIÓN!

Si la empuñadura no encaja correctamente, puede que se pliegue hacia abajo de forma accidental al empujar la silla de ruedas.

- Asegúrese de que la empuñadura encaje correctamente.

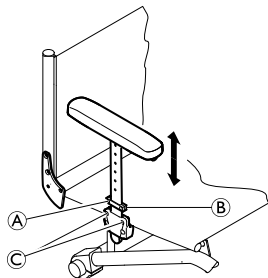
### Empuñaduras traseras regulables en altura (opcional)

Las empuñaduras con regulación continua en altura permiten a cualquier acompañante empujar la silla en una posición cómoda.



1. Para ajustar la altura de las empuñaduras, suelte el tornillo de fijación **A**, desplace el mango a la posición deseada y vuelva a apretar el tornillo.

### 3.5 Reposabrazos, con ajuste en altura infinito, sin bloqueo



#### ¡ADVERTENCIA! Riesgo de lesiones

Los reposabrazos no están bloqueados y se pueden extraer fácilmente tirando hacia arriba.

- No levante o traslade la silla de ruedas sujetándola por los reposabrazos.
- No use los reposabrazos para transportar la silla de ruedas al subir o bajar escaleras.

#### Desmontaje

1. Tire del reposabrazos por el cojín del brazo para retirarlo del soporte.
2. Para ajustar la facilidad o dificultad de extracción del reposabrazos de su soporte, apriete o afloje los tornillos ©.

#### Montaje

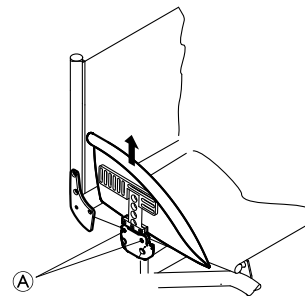
1. Inserte el reposabrazos en el soporte.

#### Ajuste de la altura

1. Afloje el tornillo (A) de la placa de sujeción (B).
2. Mueva el reposabrazos hacia arriba o hacia abajo hasta que llegue a la altura que desee.
3. Apriete el tornillo (A).
4. Realice el ajuste en ambos lados.

#### 3.6 Guardabarros

Para evitar que la suciedad adherida a las ruedas se disperse en sentido ascendente, es posible montar un guardabarros. La posición del guardabarros se puede ajustar. Este ajuste debe realizarlo un distribuidor especialista.



#### Retirada

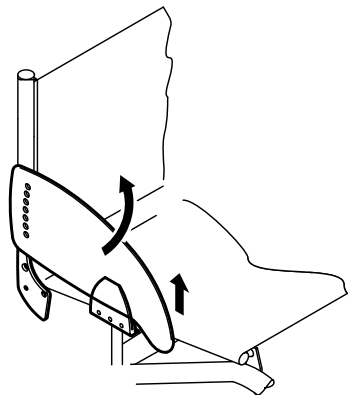
1. Tire del guardabarros hacia arriba hasta extraerlo del soporte.
2. Para ajustar la facilidad o dificultad de extracción del guardabarros de su soporte, apriete o afloje los tornillos (A).

#### Montaje

1. Inserte el guardabarros en el soporte.

### 3.7 Protector de ropa

Es posible instalar un protector de ropa. Antes de plegar el respaldo de la silla de ruedas, pliegue primero el protector de ropa hacia dentro contra el respaldo.

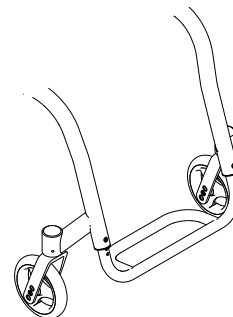


#### Plegado

1. Levante el protector de ropa en la parte frontal e inclínelo hacia dentro en la parte delantera del respaldo.

### 3.8 Reposapiés

La altura del reposapiés se puede ajustar. Este ajuste debe realizarlo un distribuidor especialista.



### 3.9 Dispositivo antivuelco

Un dispositivo antivuelco evita que la silla de ruedas se vuelque hacia atrás.



#### ¡ADVERTENCIA!

#### Peligro de caída

Si los dispositivos antivuelco están mal ajustados o han dejado de funcionar, puede producirse una caída.

- Compruebe siempre que el dispositivo antivuelco funcione antes de utilizar la silla de ruedas y haga que un distribuidor especialista lo ajuste o vuelva a ajustar cuando sea necesario.

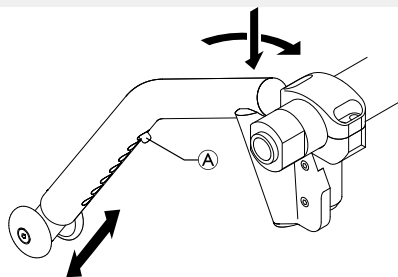


### ¡ADVERTENCIA!

#### Peligro de caída

En terrenos irregulares o inestables, el dispositivo antivuelco puede hundirse en baches o directamente en el suelo, lo cual reduce o anula su función de seguridad.

- Utilice el dispositivo antivuelco solamente en terrenos llanos y firmes.



### Activación del dispositivo antivuelco

1. Empuje el dispositivo antivuelco completamente hacia abajo contra el muelle y gírelo hacia atrás 90° hasta que encaje.



### ¡ADVERTENCIA!

#### Riesgo de volcado

El dispositivo antivuelco activado puede bloquearse al salvar un escalón o un borde.

- Desactive siempre el dispositivo antivuelco antes de pasar sobre un escalón o un bordillo.

### Desactivación del dispositivo antivuelco

1. Empuje el dispositivo antivuelco completamente hacia abajo contra el muelle y gírelo hacia adentro 90° hasta que encaje.

### Ajuste de la altura

1. Presione el pasador con muelle (A) en el dispositivo antivuelco y empuje la sección interior hasta la posición necesaria. Deje que el pasador con muelle se acople en el orificio más cercano.



Si es necesario realizar ajustes adicionales de la altura o la posición, consulte a su distribuidor especialista.

### 3.10 Neumáticos

La presión idónea de los neumáticos depende del tipo de neumático:

La tabla siguiente es orientativa. Si el neumático es distinto de los de la lista, compruebe el lateral del neumático. Con frecuencia, allí se indica la presión máxima.

Neumático	Presión máx.		
Rueda de paredes ligeras	7 bares	700 kPa	101 psi
Rueda de perfil	7 bares	700 kPa	101 psi
Rueda Schwalbe® Marathon Plus	10 bares	1000 kPa	145 psi
Schwalbe® One	10 bares	1000 kPa	145 psi
Schwalbe® Rightrun, azul	10 bares	1000 kPa	145 psi
Rueda compacta, perfil, gris	-	-	-
Rueda compacta (tipo KIK), negra	-	-	-
Rueda ligera, compacta	-	-	-





La compatibilidad de los neumáticos indicados anteriormente depende de la configuración o del modelo de la silla de ruedas.

### **3.11 Cojín del asiento**

Se necesita un cojín adecuado para proporcionar una distribución uniforme de la presión en el asiento.



Utilice un cojín del asiento con una base antideslizante o tiras de fijación de Velcro® (gancho) para evitar que el cojín resbale. Una de las cintas de fijación de Velcro® (bucle) se coloca previamente en la funda del asiento.

### **3.12 Posición del asiento**

#### **Estabilidad de volcado**

La posición del asiento y, por lo tanto, la estabilidad de volcado de la silla de ruedas se puede modificar. Este ajuste debe realizarlo un distribuidor especialista.

#### **Altura del asiento, parte delantera**

La altura del asiento en la parte delantera se puede ajustar. Este ajuste debe realizarlo un distribuidor especialista.

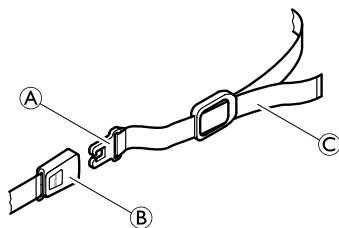
#### **Altura del asiento, parte posterior**

La altura del asiento en la parte posterior puede ajustarse varios centímetros. Este ajuste debe realizarlo un distribuidor especialista.

## 4 ACCESORIOS

### 4.1 Cinturón pélvico

La silla de ruedas se puede ajustar con un cinturón pélvico que evitará que el usuario se deslice hacia delante o caiga de la silla de ruedas.



#### ¡ADVERTENCIA!

#### Riesgo de lesiones graves como consecuencia de estrangulamiento

- Asegúrese de sentarse con la espalda completamente apoyada en el asiento y con la pelvis en una posición lo más vertical y simétricamente posible; no se recline hacia un lado ni se incline hacia atrás.
- Coloque el cinturón de seguridad de forma que los huesos de la cadera queden por encima del cinturón.
- Ajuste la longitud con las hebillas de forma que haya suficiente espacio para deslizar una mano entre el cuerpo del usuario y el cinturón. Se recomienda que la hebillas se mantenga en una posición central; es decir, realice ajustes en cada lado.
- Asegúrese de que el cinturón no resbale y de que la hebillas no se deshaga. Si es necesario, vuelva a ajustar el cinturón pélvico, ® distribuidor autorizado.
- Se recomienda comprobar y cambiar estos ajustes cada vez que se utilice el cinturón.

#### Apertura del cinturón pélvico

1. Presione el botón PRESS y retire la pieza de cierre (A) de la hebillas (B). El cinturón pélvico se abre.

#### Cierre del cinturón pélvico

1. Inserte la pieza de cierre (A) en la hebillas (B).
2. Apriete el cinturón (C) hasta estar sentado de forma segura en su silla de ruedas.

## **4.2 Bomba de inflar**

La bomba de inflar se suministra con un racor de válvula universal.

1. Levante la tapa antipolvo del racor de válvula.
2. Presione el racor en la válvula abierta de la rueda e ínflala con la bomba.

## **4.3 Iluminación pasiva**

Puede fijar reflectores a las ruedas traseras.

---

## 5 INSTALACIÓN

---

### 5.1 Indicaciones de seguridad



#### **¡PRECAUCIÓN!**

#### **Riesgo de lesiones**

- Antes de usar la silla de ruedas, compruebe el estado general de la misma y las funciones más importantes,® 8.2 Plan de mantenimiento, página 79.

Su distribuidor especializado se encargará de dejar la silla de ruedas lista para el uso. Éste le explicará las funciones más importantes y garantizará que la silla de ruedas esté adaptada a sus requisitos y necesidades.

## 6 CONDUCCIÓN DE LA SILLA DE RUEDAS

### 6.1 Información sobre seguridad



#### ¡ADVERTENCIA!

##### Riesgo de accidentes

Una presión de los neumáticos no uniforme puede afectar en gran medida al manejo.

- Compruebe la presión de los neumáticos antes de cada trayecto.



#### ¡ADVERTENCIA!

##### Riesgo de caída de la silla de ruedas

Si se utilizan ruedas delanteras demasiado pequeñas, la silla de ruedas podría quedarse atascada en bordillos o en ranuras del suelo.

- Asegúrese de que las ruedas delanteras son las idóneas para la superficie en las que vaya a utilizar la silla de ruedas.



#### ¡PRECAUCIÓN!

##### Riesgo de aplastamiento

Puede haber un hueco muy pequeño entre la rueda trasera y el guardabarros, lo que supone un riesgo de atraparse los dedos.

- Asegúrese de impulsar la silla de ruedas únicamente con los aros de propulsión.



#### ¡PRECAUCIÓN!

##### Riesgo de aplastamiento

Puede haber un hueco muy pequeño entre la rueda trasera y el freno de estacionamiento, lo que supone un riesgo de atraparse los dedos.

- Asegúrese de impulsar la silla de ruedas únicamente con los aros de propulsión.

#### Sistemas antirrobo y de detección de metales

En muy raras ocasiones, los materiales de la silla de ruedas pueden activar sistemas antirrobo y de detección de metales.

## 6.2 Frenado durante la marcha

Frenado durante la marcha mediante transmisión de la fuerza a los aros propulsores con las manos.



### ¡ADVERTENCIA!

#### **Peligro de caída por frenado brusco**

Si acciona los frenos de estacionamiento durante la marcha, no se podrá controlar el sentido de la marcha y la silla de ruedas puede frenar de forma brusca, lo que puede provocar choques o caídas.

- No accione nunca los frenos de estacionamiento durante la marcha.



### ¡ADVERTENCIA!

#### **Riesgo de caída de la silla de ruedas**

Si el asistente desacelera rápidamente la silla de ruedas al tirar de las asas de empuje, es posible que el usuario caiga de la silla de ruedas.

- En caso de que exista un cinturón pélvico, colóquelo siempre.
- Asegúrese de que el asistente haya recibido formación individual en relación con la transferencia de sillas de ruedas ocupadas.



### ¡PRECAUCIÓN!

#### **Riesgo de quemaduras en las manos**

Los aros propulsores (en especial los MaxGrepp y Supergripp) pueden calentarse si frena durante un tiempo prolongado y podría sufrir quemaduras en las palmas de las manos.

- Lleve guantes apropiados.

1. Sujete los aros propulsores y ejerza presión de forma constante con ambas manos hasta que la silla de ruedas se detenga por completo.

## 6.3 Subida y bajada de la silla de ruedas



### ¡ADVERTENCIA!

#### **Peligro de caída**

Al realizar transferencias existe un elevado peligro de caída.

- Suba y baje de la silla de ruedas sin ayuda únicamente si se encuentra en condiciones físicas para hacerlo.



### ¡ADVERTENCIA!

#### **Peligro de caída**

La silla de ruedas puede volcar hacia delante al colocarse de pie sobre el reposapiés.

- No se ponga nunca de pie sobre el reposapiés al subir y bajar.

**¡PRECAUCIÓN!**

Si los frenos se sueltan o se rompen, la silla de ruedas puede desplazarse accidentalmente de forma incontrolada.

- No se apoye nunca en los frenos al subir y bajar.

**¡IMPORTANTE!**

El guardabarros o el reposabrazos pueden romperse.

- No se siente nunca sobre el guardabarros o el reposabrazos al subir y bajar.

1. Accione los frenos de estacionamiento.
2. Ponga los pies en el suelo.
3. Sujétese a la silla de ruedas y, si es necesario, también a un objeto firme de su alrededor.
4. Muévase con lentitud hacia la silla.

## 6.4 Propulsión y conducción de la silla de ruedas

La propulsión y conducción de la silla de ruedas se efectúa mediante los aros propulsores.

Antes de conducir sin acompañante, debe encontrar el punto de basculamiento de su silla de ruedas.

**¡ADVERTENCIA!****Peligro de vuelco**

La silla de ruedas puede volcar hacia atrás si no hay ningún dispositivo antivuelco montado. Al buscar el punto de basculamiento debe haber un acompañante justo detrás de la silla de ruedas para cogerla en caso de bascule en exceso.

- Para evitar que vuelque, monte un dispositivo antivuelco.

**¡ADVERTENCIA!****Riesgo de volcado**

La silla de ruedas puede volcar hacia delante.

- Durante el montaje de la silla de ruedas, pruebe el comportamiento en cuanto al volcado hacia delante se refiere y realice los ajustes necesarios conforme al estilo de conducción.

**¡PRECAUCIÓN!**

Las cargas pesadas colgadas en el respaldo pueden influir en el punto de gravedad de la silla de ruedas.

- Adapte su comportamiento de conducción de forma correspondiente.

## Hallar el punto de basculamiento



1. Suelte el freno.
2. Desplácese un poco hacia delante con la silla de ruedas, agarre ambos aros de propulsión y prosiga el desplazamiento con un ligero impulso.
3. Mediante el desplazamiento del peso y el contraviraje en los aros de propulsión averiguará el punto de basculamiento.

## 6.5 Desplazamiento con escalones y descansillos



### ¡ADVERTENCIA! Peligro de caída

Al bajar escalones puede perder el equilibrio y volcar con su silla de ruedas.

- Baje siempre despacio y con cuidado por escalones como bordillos y descansillos.
- No baje nunca por escalones con una altura superior a 25 cm.



### ¡PRECAUCIÓN!

El dispositivo antivuelco impide que la silla de ruedas bascule hacia atrás.

- Desactive el dispositivo antivuelco antes de marchar por escalones o descansillos.



## Con acompañante



## Bajada de un escalón

1. Lleve la silla de ruedas justo hasta el borde y agarre los aros propulsores.
2. El acompañante sujeta las dos empuñaduras, coloca un pie en el dispositivo basculante (si está montado) e inclina la silla de ruedas hacia atrás de manera que las ruedas delanteras se eleven del suelo.
3. El acompañante mantiene la silla de ruedas en esta posición, la desplaza con cuidado hacia abajo del escalón e inclina la silla de ruedas hacia delante hasta que las ruedas delanteras vuelvan a tocar el suelo.

## Subida de un escalón



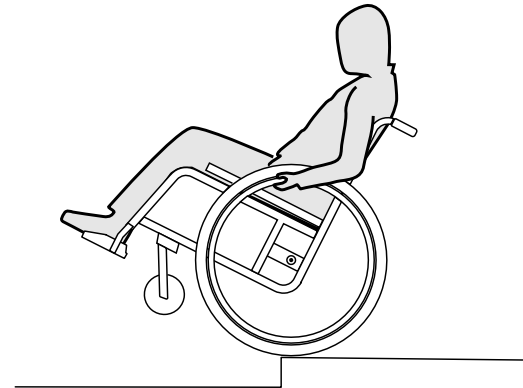
### ¡ADVERTENCIA! Riesgo de lesiones graves

Subir escalones y bordillos puede provocar que los frenos del respaldo de la silla de ruedas fallen antes de lo previsto. El usuario podría caer de la silla de ruedas.

– Utilice siempre un pisapié cuando ascienda escalones o bordillos.

1. Mueva la silla de ruedas marcha atrás hasta que las ruedas traseras queden en el borde.
2. El acompañante inclina la silla de ruedas con las dos empuñaduras hasta que las ruedas delanteras se eleven del suelo y desplaza las ruedas traseras por encima del borde hasta que las ruedas delanteras también se puedan bajar.

## Sin acompañante





### ¡ADVERTENCIA!

#### Peligro de vuelco

Si baja un escalón sin acompañante, puede bascular hacia atrás en exceso si no domina su silla de ruedas.

- Aprenda primero cómo bajar un escalón con un acompañante.
- Aprenda a balancearse sobre las ruedas traseras, 6.4 Propulsión y conducción de la silla de ruedas, página 63.

### Bajada de un escalón

1. Lleve la silla de ruedas justo hasta el borde, eleve las ruedas delanteras y mantenga el equilibrio.
2. Ahora, desplace lentamente las ruedas traseras por encima del borde. Al hacerlo, sujete con firmeza los aros propulsores con las manos hasta que las ruedas delanteras vuelvan a tocar el suelo.

## 6.6 Bajar escaleras



### ¡ADVERTENCIA!

#### Peligro de caída

Al bajar escaleras puede perder el equilibrio y volcar con su silla de ruedas.

- Baje escaleras de más de un escalón únicamente en compañía de 2 personas.



1. Las escaleras se pueden sortear tomando como se ha descrito anteriormente un escalón tras otro. Para ello, el primer acompañante se sitúa tras la silla de ruedas y la sujeta por las empuñaduras. El segundo acompañante sujeta una parte fija del chasis delantero y de esta forma asegura la silla de ruedas por delante.

## 6.7 Conducción sobre rampas y pendientes



### ¡ADVERTENCIA!

#### Peligro por marcha incontrolada

En pendientes ascendentes o descendentes, su silla de ruedas puede volcar hacia atrás, hacia los lados o hacia delante.

- En pendientes largas, hágalo únicamente con un acompañante tras la silla de ruedas.
- Evite la inclinación lateral.
- Evite las pendientes de más de 7°.
- Evite los cambios de dirección bruscos en pendientes.



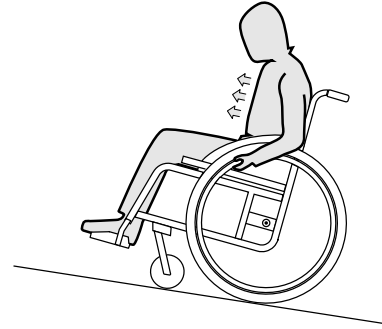
### ¡PRECAUCIÓN!

Su silla de ruedas también puede desplazarse involuntariamente sobre un terreno accidentado si no la controla mediante los aros propulsores.

- Accione los frenos de estacionamiento cuando se detenga sobre un terreno accidentado con su silla de ruedas.

## Sentido ascendente

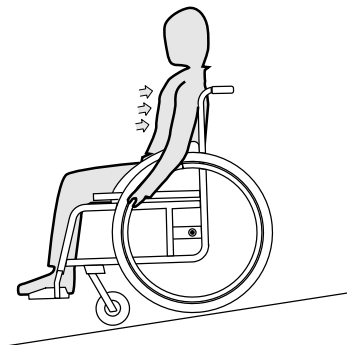
Para conducir en sentido ascendente, debe impulsarse, mantener el impulso y, a la vez, controlar la dirección.



1. Incline el torso hacia delante e impulse la silla de ruedas empujando los dos aros propulsores con rapidez y fuerza.

## Sentido descendente

Al conducir en sentido descendente es importante controlar la dirección y sobre todo la velocidad.



1. Reclíñese y deje que los aros propulsores se deslicen por las manos de forma cuidadosa. Debería poder parar la silla de ruedas en cualquier momento deteniendo los aros propulsores.



### ¡PRECAUCIÓN!

#### Riesgo de quemaduras en las manos

Los aros propulsores (en especial los MaxGrepp y Supergripp) pueden calentarse si frena durante un tiempo prolongado y podría sufrir quemaduras en las palmas de las manos.

- Lleve guantes apropiados.

## 6.8 Estabilidad y equilibrio al estar sentado

Algunas actividades y acciones cotidianas requieren inclinarse hacia fuera de la silla de ruedas, hacia delante, hacia los lados o hacia atrás. Esto tiene una gran influencia en la estabilidad de la silla de ruedas. Para poder mantener el equilibrio en todo momento, tenga en cuenta lo siguiente:

### Inclinación hacia delante

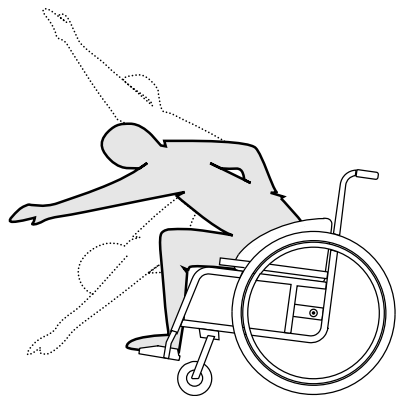


#### ¡ADVERTENCIA!

#### Peligro por vuelco hacia fuera

Si se inclina hacia delante por fuera de la silla de ruedas puede caerse.

- No se incline nunca demasiado hacia delante ni se deslice en su asiento para alcanzar un objeto.
- No se incline hacia abajo entre las rodillas para levantar algo del suelo.



1. Oriente las ruedas delanteras hacia delante. (Para ello, mueva su silla un poco hacia delante y retroceda a continuación.)
2. Fije los dos frenos de estacionamiento.
3. Inclínese hacia delante sólo hasta una posición en la que su torso quede sobre las ruedas delanteras.

### Extensión de los brazos hacia atrás para coger objetos

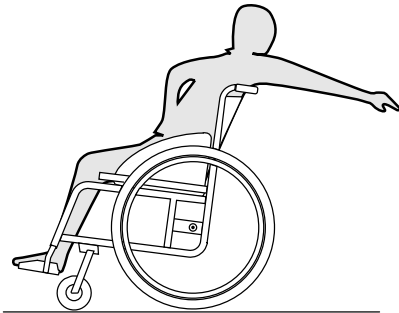


#### ¡ADVERTENCIA!

#### Peligro por vuelco hacia fuera

Si se inclina demasiado hacia atrás, puede volcar junto con la silla de ruedas.

- No se incline más allá del respaldo.
- Utilice un dispositivo antivuelco.



1. Oriente las ruedas delanteras hacia delante. (Para ello, mueva su silla un poco hacia delante y retroceda a continuación.)
2. Accione los frenos de estacionamiento.
3. Extienda el brazo hacia atrás únicamente hasta donde pueda sin cambiar la posición de asiento.

## 7 TRANSPORTE

### 7.1 Indicaciones de seguridad



**¡ADVERTENCIA!**  
**Peligro de lesiones si la silla de ruedas no se fija de forma adecuada**

En caso de accidente, frenazo, etc., las piezas móviles de la silla de ruedas pueden provocar lesiones graves.

- Quite siempre las ruedas traseras cuando transporte la silla de ruedas.
- Fije con firmeza todos los componentes de la silla de ruedas en los medios de transporte para evitar que se suelten durante el trayecto.



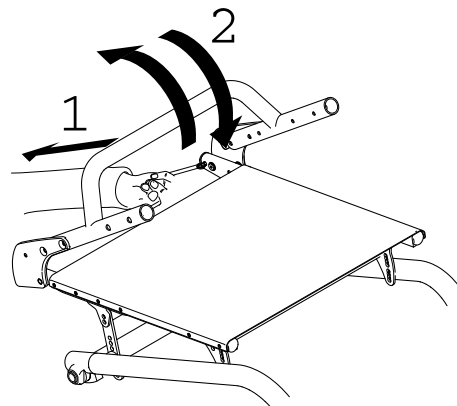
**¡IMPORTANTE!**

El desgaste excesivo del material podría afectar a la estabilidad de piezas de soporte.

- No mueva su silla de ruedas con las ruedas desmontadas sobre superficies abrasivas (p. ej. arrastre del chasis sobre el asfalto).

### 7.2 Plegado y desplegado de la silla de ruedas

El chasis de la silla de ruedas es rígido. Sin embargo, el respaldo puede abatirse hacia delante y quedar fijado en esa posición.



#### Plegado de la silla de ruedas

1. Si está presente, quite el cojín del asiento.
2. Si está presente, pliegue el protector de ropa hacia dentro contra el respaldo, en ambos lados.
3. Tire del cordón situado en la parte posterior del respaldo de la silla de ruedas (1) y pliegue el respaldo hacia delante (2) hasta que encaje.
4. Ahora ya puede levantar la silla de ruedas sujetándola por el soporte del respaldo.

## Despliegado de la silla de ruedas

### ! ¡IMPORTANTE!

- Cuando despliegue la silla de ruedas, no tire del soporte del respaldo si antes no ha liberado el respaldo mediante el cordón.
- Antes de volver a usar la silla de ruedas, compruebe que el respaldo esté totalmente encajado en el chasis.

1. Tire del cordón situado en el respaldo de la silla de ruedas (1).
2. Tire del respaldo hacia atrás (2) por medio del soporte del respaldo hasta que el tubo del mismo encaje en ambos lados del chasis.
3. Coloque el protector de ropa de nuevo en su posición, en ambos lados.

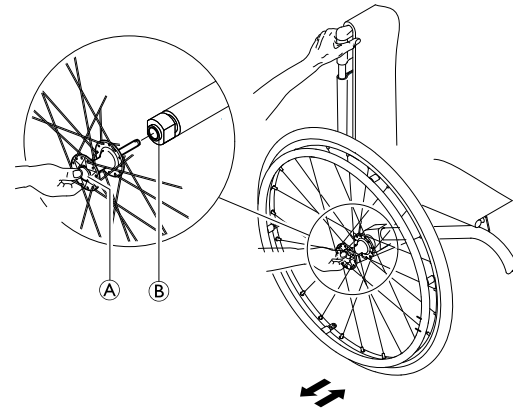
## 7.3 Montaje y desmontaje de las ruedas traseras



### ¡ADVERTENCIA! Peligro de caída

Si el eje de desmontaje de la rueda trasera no está encajado por completo, la rueda se puede soltar durante la marcha, lo que puede provocar una caída.

- Tras cada montaje de las ruedas, asegúrese de que los ejes de desmontaje están completamente encajados.




### Retirada de las ruedas traseras

1. Suelte los frenos.
2. Mantenga la silla de ruedas en posición vertical con una mano.
3. Con la otra mano, sujete la rueda por los radios de alrededor del cubo.
4. Presione con el pulgar el botón del eje de desmontaje (A). Manténgalo presionado y saque la rueda del manguito adaptador (B).

### Colocación de las ruedas traseras

1. Suelte los frenos.
2. Mantenga la silla de ruedas en posición vertical con una mano.
3. Con la otra mano, sujete la rueda por los radios de alrededor del cubo.
4. Mantenga presionado con el pulgar el botón del eje de desmontaje (A).

5. Introduzca ahora el eje en el manguito adaptador  hasta el tope.
6. Suelte el botón de eje de desmontaje y asegúrese de que la rueda queda fijada.

## 7.4 Transporte de la silla de ruedas ocupada en un vehículo

Aunque la silla de ruedas esté asegurada de forma adecuada y se cumplan las normas que enunciaremos a continuación, los pasajeros podrían sufrir lesiones a causa de una colisión o de una parada brusca. Por lo tanto, Kuschall® recomienda encarecidamente que transfiera al usuario de silla de ruedas al asiento del vehículo con el cinturón abrochado. No modifique ni sustituya ninguna parte de la silla de ruedas (estructura, chasis o piezas) sin el consentimiento escrito de Kuschall AG. La silla de ruedas se ha comprobado de forma satisfactoria según los requisitos de ISO 7176-19.



### ¡ADVERTENCIA!

#### Riesgo de lesión grave o muerte

Para utilizar la silla de ruedas como asiento en un vehículo, la altura del respaldo debe colocarse al menos a 400 mm.

Para transportar al usuario de silla de ruedas en un vehículo, se debe tener instalado un sistema de fijación en el vehículo. Las fijaciones de la silla de ruedas y los sistemas de sujeción del ocupante se deben aprobar según ISO 10542-1. Póngase en contacto con su representante local de Invacare® o con el distribuidor especialista para obtener más información sobre cómo obtener e instalar un sistema de fijación compatible y aprobado.



### ¡ADVERTENCIA!

Si, por alguna razón, es imposible transferir al usuario de silla de ruedas al asiento del vehículo, la silla de ruedas se puede usar como asiento del vehículo si se cumplen los procedimientos y las normas que se enuncian a continuación.

- La silla de ruedas se debe fijar al vehículo con un sistema de fijación de 4 puntos.
- El usuario se debe fijar al vehículo con un sistema de fijación para pasajeros de 3 puntos.
- Además, el usuario se debe fijar a la silla de ruedas con un cinturón postural.



### ¡ADVERTENCIA!

Los mecanismos de fijación de seguridad se deben utilizar exclusivamente cuando el peso del usuario de silla de ruedas sea de 22 kg. o más (ISO-7176-19).

- No utilice la silla de ruedas como asiento en un vehículo si el peso del usuario es inferior a 22 kg.



**¡ADVERTENCIA!**

- Antes de comenzar el trayecto, póngase en contacto con el transportista y pídale información acerca de las características del equipo requerido a continuación.
- Asegúrese de que haya suficiente espacio libre alrededor de la silla de ruedas y del usuario para evitar que este entre en contacto con otros ocupantes del vehículo, con partes no acolchadas del vehículo, con accesorios de la silla de ruedas o con los puntos de anclaje del sistema de fijación.

**¡ADVERTENCIA!**

- Asegúrese de que los puntos de fijación de la silla de ruedas no estén estropeados y de que los frenos de estacionamiento funcionen perfectamente.
- Se recomienda utilizar cubiertas a prueba de pinchazos durante el transporte para evitar problemas con los frenos como consecuencia de una presión insuficiente en las cubiertas.

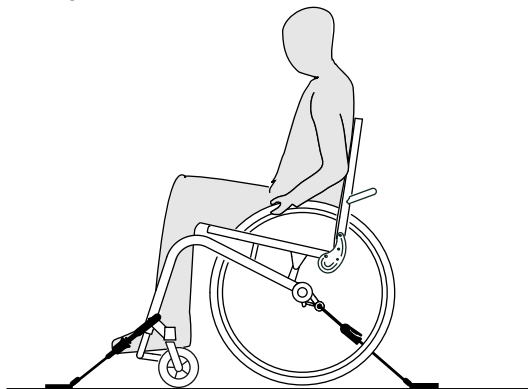
**¡ADVERTENCIA!**

- Los componentes o los accesorios sueltos de la silla de ruedas pueden ocasionar lesiones o daños si se produce una colisión o una parada brusca.
- Asegúrese de que todos los componentes y los accesorios desmontables de la silla de ruedas se desmonten y se guarden en un lugar seguro del vehículo.
  - Después de un accidente, una colisión, etc., es imprescindible que un distribuidor especialista inspeccione la silla de ruedas.

**¡IMPORTANTE!**

- Se recomienda formar al usuario en el uso correcto del sistema de fijación.
- Consulte los manuales del usuario suministrados con los sistemas de fijación.
  - Las siguientes ilustraciones pueden variar en función del proveedor de los sistemas de fijación.

## Fijación de la silla de ruedas con un sistema de fijación de 4 puntos



mosquetón (consulte las siguientes imágenes y la sección 1.2 Símbolos en este manual, página 45).

1. Fije la silla de ruedas a las barandillas del vehículo mediante las correas delanteras y posteriores del sistema de fijación de 4 puntos. Consulte el manual del usuario suministrado con el sistema de fijación de 4 puntos.

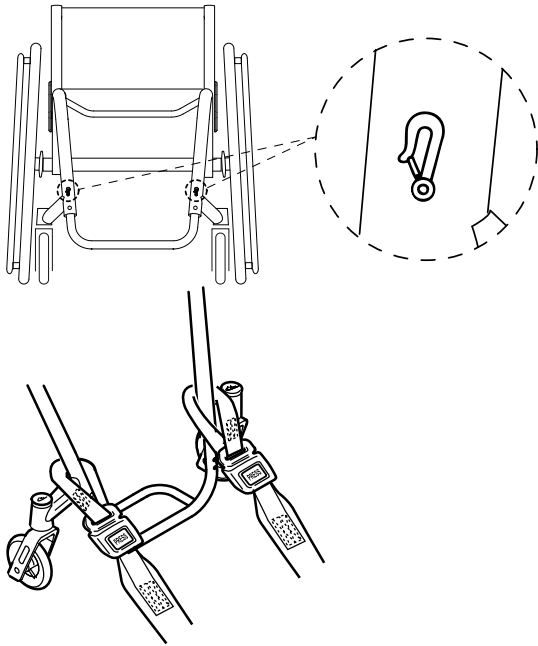


### ¡ADVERTENCIA!

- Coloque la silla de ruedas con el usuario mirando hacia adelante en la dirección de la ruta del vehículo.
- Bloquee los frenos de estacionamiento de la silla de ruedas.
- En caso de estar instalado, active el dispositivo antivuelco.

Las posiciones de fijación de la silla de ruedas, es decir, donde deben colocarse las correas del sistema de fijación, se deben situar y señalar con símbolos que representan ganchos de

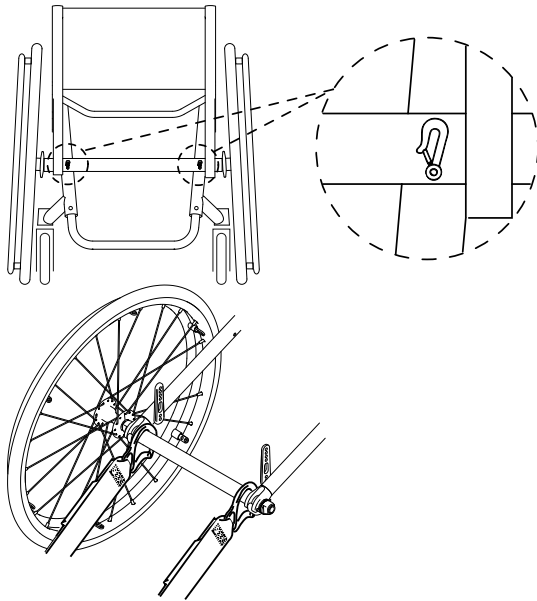
Posiciones de fijación de la parte delantera para las correas del cinturón:



1. Fije las correas delanteras por encima de los soportes de la rueda giratoria, tal como se muestra en las dos imágenes anteriores (consulte la ubicación de las etiquetas de fijación).
2. Fije las correas delanteras al sistema de barandillas. Para ello, siga las instrucciones de uso recomendadas por el fabricante del cinturón de seguridad.

3. Suelte los frenos de estacionamiento y tense las correas delanteras tirando hacia atrás de la silla de ruedas desde la parte posterior.
4. Vuelva a bloquear los frenos de estacionamiento.

Posiciones de fijación de la parte posterior para los ganchos de mosquetón:



1. Fije los ganchos de mosquetón al eje, justo al lado de los soportes del eje, tal como se muestra en las dos imágenes anteriores (consulte la ubicación de las etiquetas de fijación).
2. Fije las correas posteriores al sistema de barandillas. Para ello, siga las instrucciones de uso recomendadas por el fabricante del cinturón de seguridad.
3. Apriete las correas.



### ¡IMPORTANTE!

- Asegúrese de que los ganchos de mosquetón estén cubiertos con un material antideslizante para evitar el desplazamiento lateral sobre el eje.



### ¡IMPORTANTE!

- Compruebe que los émbolos estén totalmente acoplados en ambos lados y situados en la misma posición de la sección de corte de la barandilla.
- Asegúrese de que el ángulo entre las barandillas y las correas se mantenga entre 40° y 45°.

## Colocación del cinturón postural

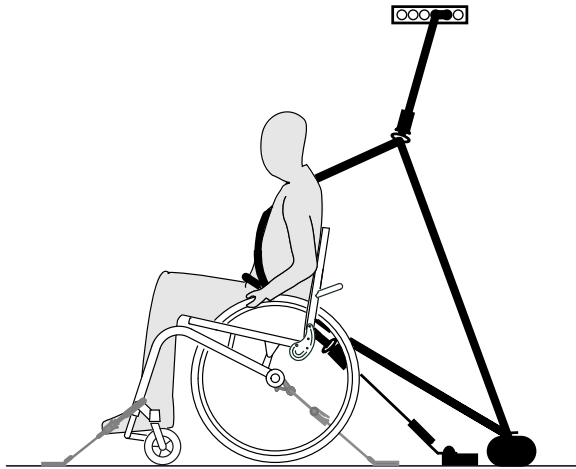


### ¡ADVERTENCIA!

El cinturón postural se debe utilizar como un complemento, nunca como sustituto de un sistema de fijación para pasajeros aprobado (cinturón de 3 puntos).

1. Ajuste el cinturón postural de forma que se adapte al ocupante de la silla de ruedas; consulte la sección 4.1 Cinturón pélvico, página 58.

## Cierre del sistema de fijación para pasajeros de 3 puntos



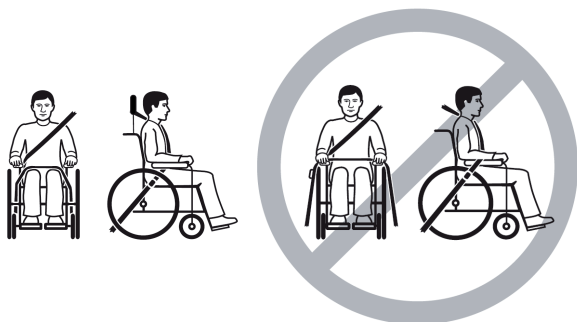
### ¡IMPORTANTE!

Las ilustraciones anteriores pueden variar en función del proveedor de los sistemas de fijación.



### ¡ADVERTENCIA!

- Asegúrese de que el sistema de fijación para pasajeros de 3 puntos se coloque tan ajustado al cuerpo del usuario como sea posible, pero sin que esto le resulte incómodo y sin que ninguna parte del sistema de fijación se pliegue.
- Asegúrese de que el sistema de fijación para pasajeros de 3 puntos no esté separado del cuerpo del usuario a causa de alguna parte de la silla de ruedas, como los reposabrazos, las ruedas, etc.
- Asegúrese de que la fijación del usuario disponga de un recorrido libre entre el usuario y el punto de anclaje y de que no haya ningún tipo de interferencia como consecuencia de alguna parte del vehículo, la silla de ruedas, el asiento o los accesorios.
- Asegúrese de que el cinturón para la cadera se adapte perfectamente a la pelvis del ocupante y no pueda desplazarse hasta la zona abdominal.
- Asegúrese de que el usuario pueda alcanzar el mecanismo de desbloqueo sin ayuda.

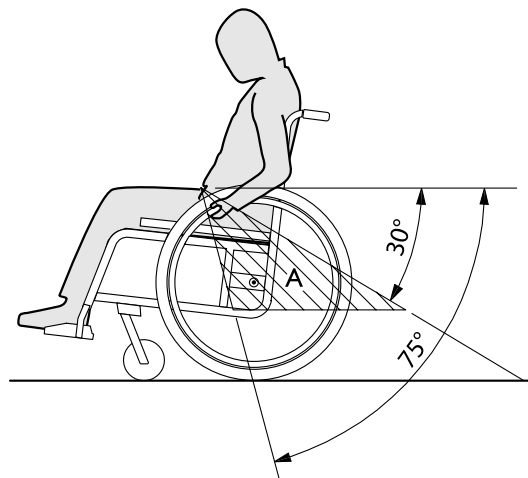


1. Fije el sistema de fijación para pasajeros de 3 puntos según lo especificado en el manual del usuario suministrado con dicho sistema de fijación.



**¡IMPORTANTE!**

– Bloquee el cinturón pélvico del sistema de fijación para pasajeros de 3 puntos en la parte baja de la pelvis y de modo que el ángulo del cinturón pélvico esté dentro de la zona de preferencia (A), es decir, entre  $30^\circ$  y  $75^\circ$  con respecto al plano horizontal. Es preferible un ángulo pronunciado, pero nunca superior a  $75^\circ$ .



## 8 MANTENIMIENTO

### 8.1 Indicaciones de seguridad



#### ¡ADVERTENCIA!

Algunos materiales experimentan un envejecimiento natural. Esto puede provocar daños en piezas de la silla de ruedas.

- Tras tiempos de parada prolongados y, en cualquier caso, al menos una vez al año, la silla de ruedas debe ser revisada por un distribuidor especializado.



Su distribuidor especializado de *küschall*® le proporcionará ayuda para llevar a cabo las tareas de mantenimiento regulares. Para encontrar un distribuidor especializado cerca de su domicilio, diríjase a la representación de *küschall*® de su país (al final de este documento).

### 8.2 Plan de mantenimiento

Para garantizar la seguridad y fiabilidad necesarias, realice regularmente las siguientes tareas de mantenimiento o encomiéndelas a otra persona.

	Semanal	Mensual	Anual
Comprobación de la presión del aire de los neumáticos	x		
Comprobación de la posición correcta de las ruedas traseras	x		

	Semanal	Mensual	Anual
Comprobación del ajuste de la junta del respaldo	x		
Comprobación del cinturón pélvico	x		
Control visual		x	
Limpieza de las ruedas delanteras		x	
Comprobación de las conexiones roscadas		x	
Comprobación de los radios		x	
Revisión de los frenos de estacionamiento		x	
Revisión de la silla de ruedas por un distribuidor especializado			x

#### Comprobación de la presión del aire de los neumáticos

1. Mida la presión de los neumáticos, @ 3.10 Neumáticos, página 56.
2. Infle los neumáticos con la presión requerida.
3. Compruebe también el perfil de los neumáticos.
4. Si es necesario, cambie los neumáticos.

## Comprobación de la posición correcta de las ruedas traseras

1. Tire de la rueda trasera para comprobar la posición del eje de desmontaje rápido. La rueda no debe poder quitarse.
2. Si las ruedas traseras no encajan correctamente, retire la posible suciedad o los residuos incrustados. Si el problema persiste, solicite a un distribuidor especializado que vuelva a ajustar los ejes de desmontaje rápido.

## Comprobación del ajuste de la junta del respaldo

1. Siéntese en la silla de ruedas y apóyese en el respaldo. El respaldo debe estar correctamente encajado.
2. Tire del cordón de liberación. Los pasadores en ambos lados deben moverse sin problemas. De lo contrario, un representante autorizado deberá montar de nuevo la junta del respaldo.

## Comprobación del cinturón

1. Compruebe que el cinturón pélvico esté ajustado de manera idónea.



### ¡ADVERTENCIA!

- Un representante autorizado debe ajustar los cinturones pélvicos sueltos.
- Un representante autorizado debe cambiar los cinturones pélvicos estropeados.

## Control visual

1. Inspeccione su silla de ruedas para detectar piezas flojas, grietas u otros defectos.
2. Si algo le llama la atención, solicite una revisión exhaustiva a un distribuidor especializado.

## Limpieza de las ruedas delanteras

1. Compruebe si las ruedas delanteras pueden girar libremente.
2. Elimine la suciedad y los pelos los cojinetes de las ruedas delanteras.

## Comprobación de las conexiones roscadas

Los tornillos se pueden aflojar por el uso continuo.

1. Compruebe si los tornillos están bien sujetos (el reposapiés, la funda del asiento, las piezas laterales, respaldo, chasis, módulo del asiento).
2. Ajuste todos los pernos sueltos con el par adecuado. Por lo tanto, consulte el manual de mantenimiento kuschall K-Series, disponible en Internet en [www.kueschall.com](http://www.kueschall.com).



### ¡IMPORTANTE!

Las tuercas y tornillos de seguridad pierden su efecto al aflojarlas y apretarlas repetidamente.  
– La sustitución de las tuercas y tornillos de seguridad debe realizarse por un distribuidor especializado.

## Comprobación del esfuerzo de tracción de los radios

Los radios no deben estar aflojados ni deformados.

1. Solicite a un distribuidor especializado que apriete los radios aflojados.
2. Solicite a un distribuidor especializado que sustituya los radios rotos.



## Comprobación de los frenos de estacionamiento

1. Compruebe que los frenos de estacionamiento estén bien colocados. El freno está bien ajustado si, cuando el freno está accionado, la zapata del freno penetra algunos milímetros en los neumáticos.
2. Si determina que esto no se cumple, solicite a un distribuidor especializado que ajuste los frenos.

### ! IMPORTANTE!

Tras la sustitución o un cambio de posición de las ruedas traseras, los frenos de estacionamiento se deben ajustar de nuevo.

## Comprobaciones tras una colisión o golpe fuertes

### ! IMPORTANTE!

Como consecuencia de una colisión violenta o un golpe fuerte, pueden producirse daños imperceptibles en la silla de ruedas.

- Después de una colisión violenta o un golpe fuerte es imprescindible que la silla de ruedas sea inspeccionada por un representante autorizado.

1. Retire la rueda trasera y deje salir el aire restante de la cámara.
2. Eleve el flanco del neumático de la llanta. Utilice para ello un levantaneumáticos para bicicletas y no emplee objetos puntiagudos como destornilladores para no dañar la cámara de aire.
3. Retire la cámara de aire del neumático.
4. Repare la cámara de aire con parches para bicicleta o, si es necesario, sustituya la cámara de aire.
5. Infle un poco la cámara de aire hasta que adquiera una forma redonda.

6. Inserte la válvula en el orificio de válvula de la llanta y coloque la cámara de aire en los neumáticos (la cámara no debe presentar dobleces en ninguna zona).
7. Eleve el flanco del neumático por la llanta. Comience por la zona de la válvula utilizando un levantaneumáticos para bicicletas. Al hacerlo, compruebe que la cámara de aire no queda atrapada entre el neumático y la llanta por ninguna zona.
8. Infle el neumático hasta la presión de servicio máxima. Asegúrese de que, efectivamente, el neumático no sigue perdiendo aire.

## Piezas de repuesto



Puede adquirir todas las piezas de repuesto por medio de un distribuidor especializado de küschall®. Encontrará una lista actualizada de las piezas de repuesto disponibles en la dirección de Internet [www.kueschall.com](http://www.kueschall.com).

## 8.3 Cuidado

Su silla de ruedas le dará un buen servicio durante años si realiza los cuidados necesarios con regularidad.

### ! IMPORTANTE!

La arena y el agua del mar pueden dañar los rodamientos de bolas y las piezas de acero pueden oxidarse si la superficie está deteriorada.

- Exponga la silla de ruedas a la arena y el agua del mar sólo por poco tiempo y límpiela cada vez que vuelva de la playa.



### **IMPORTANTE!**

– No frote con agentes abrasivos, no utilice agentes de limpieza agresivos ni limpiadores a alta presión.

1. Limpie los acolchados y las piezas metálicas con un paño suave húmedo.
2. Frote cuidadosamente la silla de ruedas para secarla tras conducirla con lluvia o después de ducharse.
3. Si la silla de ruedas está sucia, limpie la suciedad lo antes posible con un paño humedecido y a continuación frote con cuidado la silla de ruedas para secarla.

## **8.4 Desinfección**

La desinfección por pulverización o frotamiento está admitida si se utilizan desinfectantes probados y homologados.



Encontrará una lista de los desinfectantes admitidos en el Instituto Robert Koch, en la dirección [www.rki.de](http://www.rki.de).

---

## 9 SOLUCIÓN DE PROBLEMAS

---

### 9.1 Indicaciones de seguridad

El uso diario, la realización de nuevos ajustes y las modificaciones en las exigencias de la silla de ruedas pueden provocar averías. La siguiente tabla muestra cómo se pueden detectar y solucionar las averías.



#### ¡PRECAUCIÓN!

- Si detecta averías en su silla de ruedas, por ejemplo un cambio considerable del comportamiento de conducción, diríjase de inmediato a su distribuidor especializado.



#### ¡IMPORTANTE!

- Algunas de las medidas indicadas debe ser realizadas por un distribuidor especializado autorizado. Éstas están correspondientemente identificadas. Le recomendamos encomendar la realización de *todos* los ajustes a un distribuidor especializado.

## 9.2 Detección y reparación de averías

Avería	Posible causa	Medida
La silla de ruedas no marcha en línea recta	Presión del neumático incorrecta en una rueda trasera	Corregir la presión de los neumáticos, ® 3.10 Neumáticos, página 56
	Uno o más radios rotos	Sustituir los radios defectuosos, ® Distribuidor especializado
	Radios apretados de forma desigual	Apretar los radios demasiado aflojados, ® Distribuidor especializado
	Cojinetes de ruedas delantera sucios o dañados	Limpiar o sustituir los cojinetes, ® Distribuidor especializado
La silla de ruedas bascula demasiado poco hacia atrás	Las ruedas traseras están montadas demasiado adelantadas	Montar las ruedas traseras más atrasadas, ® Distribuidor especializado
	Ángulo del respaldo demasiado grande	Reducir el ángulo del respaldo, ® Distribuidor especializado
Los frenos no engranan bien o lo hacen de forma asimétrica	Presión del neumático incorrecta en una o en ambas ruedas traseras	Corregir la presión de los neumáticos, ® 3.10 Neumáticos, página 56
	Ajuste de los frenos incorrecto	Corregir el ajuste de los frenos, ® Distribuidor especializado
La resistencia de la rueda es demasiado grande	Presión de los neumáticos demasiado escasa en las ruedas traseras	Corregir la presión de los neumáticos, ® 3.10 Neumáticos, página 56
	Las ruedas traseras no están paralelas	Comprobar que las ruedas traseras están paralelas, ® Distribuidor especializado

<b>Avería</b>	<b>Posible causa</b>	<b>Medida</b>
Las ruedas delanteras tiemblan durante la marcha rápida	Tensión demasiado escasa en el bloque de cojinetes de la rueda delantera	Apretar ligeramente las tuercas del eje del bloque de cojinetes, ® Distribuidor especializado
	La rueda delantera está desgastada	Cambiar la rueda delantera, ® Distribuidor especializado
La rueda delantera marcha con dificultades o está bloqueada	Los cojinetes de bolas están sucios o son defectuosos	Limpiar o sustituir los cojinetes de bolas, ® Distribuidor especializado

## 10 DESPUÉS DEL USO

### 10.1 Almacenamiento



#### ¡IMPORTANTE!

Riesgo de dañar el producto

- No guarde el producto cerca de fuentes de calor.
- No almacene nunca otros artículos sobre la silla de ruedas.
- Guarde la silla de ruedas dentro, en un entorno seco.
- Consulte la sección 11.2 Condiciones ambientales, página 88.

Si la silla de ruedas permanece guardada durante mucho tiempo (más de cuatro meses) debe inspeccionarse como se indica en la sección 8 Mantenimiento, página 79.

### 10.2 Reutilización

La silla de ruedas es adecuada para la reutilización. Deben llevarse a cabo las siguientes medidas:

- Limpieza y desinfección según el capítulo 8.3 Cuidado, página 81 y 8.4 Desinfección, página 82 de estas instrucciones.
- Inspección según el capítulo 8.2 Plan de mantenimiento, página 79 de estas instrucciones.
- Adaptación al usuario según la documentación de servicio (que puede adquirir en la representación de *küschall®* de su país, ® al final de este documento).

### 10.3 Eliminación de desechos

Cuide su medioambiente y procure la correcta eliminación de su silla de ruedas. Para la eliminación de desechos se aplican las disposiciones legales nacionales y locales.

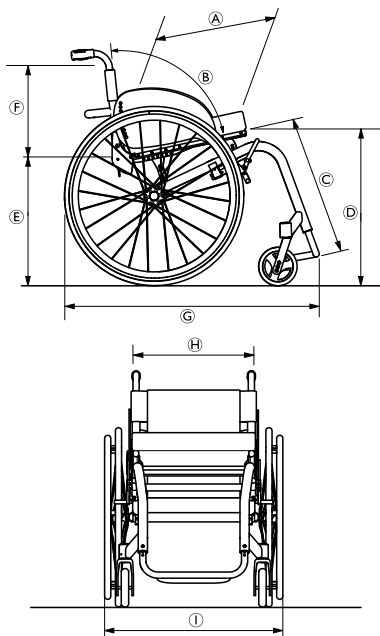


Para eliminar desechos correctamente, dirijase a su distribuidor especializado o pregunte por una empresa de eliminación de desechos local en la administración de su municipio o ciudad.

## 11 DATOS TÉCNICOS

### 11.1 Dimensiones y peso

Todas las dimensiones y especificaciones de peso se refieren a una anchura del asiento de 400 mm, a una profundidad del asiento de 400 mm y a la configuración estándar de la silla de ruedas. La dimensión y el peso pueden cambiar en función de las distintas configuraciones.



Ⓐ	Profundidad del asiento	375 – 475 mm, en incrementos de 25 mm
Ⓑ	Ángulo del respaldo	74°/78°/82°/86°/90°
Ⓒ	Longitud de la rodilla al talón	400 – 480 mm, en incrementos de 10 mm
Ⓓ	Altura del asiento, parte delantera	480 – 510 mm, en incrementos de 10 mm
Ⓔ	Altura del asiento, parte posterior	400 – 480 mm, en incrementos de 10 mm
Ⓕ	Altura del respaldo	315 – 480 mm, en incrementos de 15 mm
Ⓖ	Longitud total	75°: aprox. 830 mm 90°: aprox. 760 mm
Ⓗ	Anchura del asiento	360 – 480 mm, en incrementos de 20 mm
Ⓘ	Anchura total	Anchura del asiento + 170 mm
	Peso total	aprox. 10,3 kg
	Peso de transporte (sin ruedas traseras)	aprox. 7 kg
	Peso máximo del usuario	120 kg
	Anchura de marcha atrás	920 – 1230 mm

	Centro de gravedad	80 – 140 mm, en incrementos de 15 mm
	Pendiente de seguridad máxima	7°

## 11.2 Condiciones ambientales

No exponga la silla de ruedas a temperaturas inferiores a -20 °C o superiores a 40 °C.

## 11.3 Materiales

Los componentes utilizados para fabricar las sillas de ruedas de küschall® se componen de los siguientes materiales:

Tubos del chasis/tubos del respaldo	Aluminio/titanio <sup>1)</sup> /carbono <sup>1)</sup>
Funda del asiento/funda del respaldo	PA/PE/PVC
Empuñadura	Acero/aluminio/PVC
Protector de ropa/guardabarros	Plástico o carbono <sup>1)</sup>
Piezas de apoyo/accesorios	Acero/aluminio/titanio <sup>1)</sup>
Tuercas y tornillos	Acero
Ruedas giratorias	Aluminio

<sup>1)</sup> Las opciones de carbono y/o titanio no están disponibles para todos los modelos de sillas de ruedas de küschall®.



---

# ÍNDICE

---

Este manual TEM de ser fornecido ao utilizador do produto.  
ANTES de utilizar este produto, leia este manual e guarde-o  
para futuras consultas.

<b>1</b>	<b>Geral</b>	<b>91</b>
1.1	Informações sobre o Manual de Utilização	91
1.2	Símbolos utilizados neste manual de utilização	91
1.3	Garantia	92
1.4	Normas e regulamentos	92
1.5	Utilização conforme as disposições	92
1.6	Vida útil	92
1.7	Protecção de direitos de autor	92
<b>2</b>	<b>Segurança</b>	<b>93</b>
2.1	Informações de segurança	93
2.2	Dispositivos de segurança	94
2.3	Rótulos e símbolos no produto	94
<b>3</b>	<b>Montagem e funcionamento</b>	<b>96</b>
3.1	Descrição geral	96
3.2	Travões de estacionamento	97
3.3	Encosto	98
3.4	Punhos	99
3.5	Apoio lateral de altura infinitamente ajustável, sem bloqueio	100
3.6	Guarda-lama	101
3.7	Guarda lateral	101
3.8	Apoio de pés	102
3.9	Dispositivo anti-queda	102
3.10	Pneus	103
3.11	Almofada do assento	103
3.12	Posição do assento	103

<b>4</b>	<b>Acessórios</b>	<b>104</b>
4.1	Cinto pélvico	104
4.2	Bomba de ar	105
4.3	Reflectores	105
<b>5</b>	<b>Configuração</b>	<b>106</b>
5.1	Instruções de segurança	106
<b>6</b>	<b>Utilizar a cadeira</b>	<b>107</b>
6.1	Informações de segurança	107
6.2	Travar durante a condução	108
6.3	Sentar-se e levantar-se da cadeira de rodas	108
6.4	Conduzir a cadeira de rodas	109
6.5	Passar sobre degraus e bordas do passeio	110
6.6	Passar sobre escadas	112
6.7	Conduzir sobre rampas e subidas	113
6.8	Estabilidade e equilíbrio enquanto está sentado	114
<b>7</b>	<b>Transporte</b>	<b>116</b>
7.1	Instruções de segurança	116
7.2	Dobragem e desdobragem da cadeira de rodas	116
7.3	Remoção e encaixe das rodas traseiras	117
7.4	Transportar a cadeira de rodas ocupada num veículo	118
<b>8</b>	<b>Manutenção</b>	<b>125</b>
8.1	Instruções de segurança	125
8.2	Plano de manutenção	125
8.3	Conservação	127
8.4	Desinfecção	128
<b>9</b>	<b>Resolução de problemas</b>	<b>129</b>
9.1	Instruções de segurança	129
9.2	Identificar e resolver problemas	130

<b>10</b>	<b>Após a utilização</b>	<b>132</b>
10.1	Armazenamento	132
10.2	Voltar a utilizar	132
10.3	Eliminar como residuo	132
<b>11</b>	<b>Características técnicas</b>	<b>133</b>
11.1	Dimensões e peso	133
11.2	Condições ambientais	134
11.3	Materiais	134

## 1 GERAL

### 1.1 Informações sobre o Manual de Utilização

Obrigado por ter escolhido uma cadeira de rodas Kuschall®.

Este Manual de Utilização contém informações importantes acerca da utilização da cadeira de rodas. De forma a garantir a segurança durante a utilização da cadeira de rodas, leia atentamente o Manual de Utilização e siga as informações de segurança.

Se tiver limitações ao nível da visão, pode consultar o manual de utilização na forma de um ficheiro PDF na Internet em [www.kuschall.com](http://www.kuschall.com) e ampliá-lo no ecrã à medida das suas necessidades. Se não conseguir ampliar os textos e os gráficos de forma suficiente, contacte o distribuidor da Kuschall® no seu país;

® os respectivos endereços encontram-se no verso deste documento. Se necessário, podemos facultar um ficheiro PDF de alta resolução do manual de utilização. Além disso, pode escutar uma leitura do ficheiro PDF através de programas adequados utilizando as funções de idioma especiais do seu computador (por exemplo, no Adobe® Reader® X: Shift+Ctrl+Y).



O equipamento da sua cadeira de rodas pode apresentar diferenças das descrições e diagramas aqui apresentadas devido à vasta gama de modelos disponíveis.

Para obter as informações de produto importantes mais recentes, consulte o nosso site em [www.kuschall.com](http://www.kuschall.com), o seu fornecedor especializado local ou contacte a Invacare® no seu país (para obter endereços, consulte a contracapa deste manual).

### 1.2 Símbolos utilizados neste manual de utilização

Neste manual de instruções, os avisos são assinalados por símbolos. As informações são introduzidas por palavras-chave, que demonstram a dimensão do perigo.



#### ADVERTÊNCIA

Indica uma situação possível de perigo, que poderá levar a ferimentos graves ou à morte, caso não seja evitada.



#### ATENÇÃO

Indica uma situação possível de perigo, que poderá levar a ferimentos ligeiros ou mínimos, caso não seja evitada.



#### IMPORTANTE

Indica uma situação possível de perigo, que poderá levar a danos materiais, caso não seja evitada.



Destaca sugestões e recomendações, bem como informações para uma utilização eficiente e sem problemas.



Este produto está em conformidade com a directiva 93/42/CEE do conselho relativa aos dispositivos médicos. A data de lançamento deste produto é indicada na declaração CE de conformidade.



Fabricante

### 1.3 Garantia

A KÜschall AG garante a ausência de danos e a boa funcionalidade das suas cadeiras de rodas. A garantia abrange todos os erros e defeitos que comprovadamente decorram na sequência de uma construção incorrecta, de materiais de fraca qualidade ou de uma execução inadequada. O direito à garantia da KÜschall AG só pode ser reclamado pelo distribuidor e não pelo utilizador da cadeira de rodas.

A garantia não abrange o desgaste considerado normal, as consequências de um manuseamento inadequado ou de danos, de manutenção insuficiente e de montagem ou utilização incorrecta pelo comprador ou terceiros, bem como falhas relacionadas com circunstâncias externas. As peças de desgaste estão excluídas da garantia. A obrigação de garantia deixa de existir quando forem executadas na cadeira de rodas modificações não previstas e não executadas pelo técnico especializado ou na utilização de peças de substituição inadequadas. A garantia da KÜschall AG não abrange despesas decorrentes da eliminação de falhas como despesas de envio e transporte, salários e outras.

O prazo da garantia é de 24 meses. Para o chassis, o prazo da garantia é de 5 anos.

Além disso, os termos e condições fazem parte dos termos e condições gerais específicos de cada país em que o produto é vendido.

### 1.4 Normas e regulamentos

A qualidade é fundamental para o funcionamento da empresa, estando em conformidade com as normas 9001 e ISO 13485.

A cadeira de rodas foi testada em conformidade com a norma EN 12183. A avaliação incluiu um teste de inflamabilidade.

A KÜschall AG tem empreendido esforços contínuos para reduzir ao mínimo o impacto local e global da empresa no ambiente. Só

utilizamos materiais e componentes que cumpram as directivas REACH e RoHS.

### 1.5 Utilização conforme as disposições

A cadeira de rodas activa é conduzida manualmente e serve apenas para a locomoção, individual ou acompanhada, de uma pessoa com mobilidade reduzida. A cadeira de rodas só pode ser utilizada sem a ajuda de um assistente por pessoas que tenham as capacidades mentais e físicas necessárias para utilizarem com segurança a cadeira de rodas. (p.ex.: deslocar, conduzir e travar). A cadeira só pode ser utilizada em pisos regulares e terrenos praticáveis e em espaços interiores. Esta cadeira de rodas activa deve ser prescrita e ajustada à sua condição de saúde específica.



#### ADVERTÊNCIA!

Qualquer utilização da cadeira que vá além ou seja contrária às disposições de utilização poderá levar a situações perigosas.

### 1.6 Vida útil

A vida útil prevista deste produto é de cinco anos, assumindo que o mesmo é utilizado diariamente e em conformidade com as instruções de segurança, instruções de manutenção e utilização prevista indicados neste manual.

### 1.7 Protecção de direitos de autor

Este manual de instruções está protegido pelos direitos de autor. O manual de instruções não pode ser reimpresso, duplicado nem transmitido a terceiros, em parte ou no seu todo, sem o consentimento prévio por escrito do fabricante.

## 2 SEGURANÇA

### 2.1 Informações de segurança

Esta secção contém informações de segurança importantes para a protecção do utilizador e assistente da cadeira de rodas, assim como para a utilização correcta e sem problemas da cadeira de rodas.



#### **ADVERTÊNCIA!**

##### **Risco de acidentes e lesões graves**

Podem ocorrer acidentes resultantes em lesões graves se a cadeira de rodas for ajustada incorrectamente.

- Os ajustes feitos à cadeira de rodas devem ser sempre realizados por um fornecedor especializado.



#### **ADVERTÊNCIA!**

##### **Risco resultante de um estilo de condução inadequado para as condições**

Existe o risco de derrapagem em piso molhado, gravilha ou terreno irregular.

- Adapte sempre a velocidade e o estilo de condução às condições (tempo, superfície, capacidade individual, etc.).



#### **ADVERTÊNCIA!**

##### **Risco de lesão**

Em caso de colisão, pode sofrer lesões em partes do seu corpo que não estejam abrangidas pela cadeira de rodas (por exemplo, pés ou mãos).

- Evite uma colisão sem travagem.
- Conduza de modo a nunca chocar de frente com um objecto.
- Conduza cuidadosamente por passagens estreitas.



#### **ADVERTÊNCIA!**

##### **Risco devido ao descontrolo da cadeira de rodas**

A alta velocidade, pode perder o controlo da cadeira de rodas e virar a mesma.

- Nunca exceda a velocidade de 7 km/h.
- Evite colisões em geral.



#### **ATENÇÃO!**

##### **Risco de queimadura**

Os componentes da cadeira de rodas podem aquecer quando expostos a fontes externas de calor.

- Não exponha a cadeira de rodas a luz solar forte antes da utilização.
- Antes da utilização, verifique a temperatura de todos os componentes que entrem em contacto com a sua pele.

**ATENÇÃO!****Risco de prender os dedos**

Existe sempre o risco de prender os dedos ou braços nas partes móveis da cadeira de rodas.

- Quando activar os mecanismos de dobragem ou de inserção das partes móveis (p. ex., o eixo removível da roda traseira, o encosto dobrável ou o dispositivo anti-queda), certifique-se de que não prende alguma parte do corpo ou objecto.

## 2.2 Dispositivos de segurança

**ADVERTÊNCIA!****Risco de acidente**

Dispositivos de segurança mal configurados ou avariados (travões, roda anti-volteio) podem levar a acidentes.

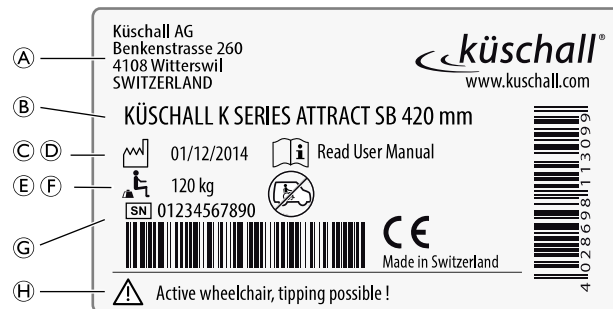
- Antes de cada utilização da cadeira de rodas verifique o bom funcionamento dos dispositivos de segurança e leve-a com regularidade a um técnico especializado para ser controlada.

As funções dos dispositivos de segurança estão descritas no Capítulo 3 Montagem e funcionamento, página 96.

## 2.3 Rótulos e símbolos no produto

**Placa de características**

A placa de características encontra-se fixada no chassis da sua cadeira de rodas e fornece as seguintes informações:



(A)	Endereço do fabricante
(B)	Descrição do produto
(C)	Data de fabrico
(D)	Instrução para ler o Manual de Utilização
(E)	Peso máximo do utilizador
(F)	Instrução sobre o facto de esta cadeira de rodas não ter sido concebida para o transporte de passageiros em veículos com uma altura do encosto inferior a 400 mm. Se a altura do encosto for superior a 400 mm, o transporte de passageiros em veículos é permitido sob as condições indicadas na secção 7.4 Transportar a cadeira de rodas ocupada num veículo, página 118. Neste caso, o símbolo (F) não está riscado na placa de características.
(G)	Número de série
(H)	Advertência de que se trata de uma cadeira de rodas activa, sendo possível a ocorrência de basculação

**Símbolo de gancho fechado**

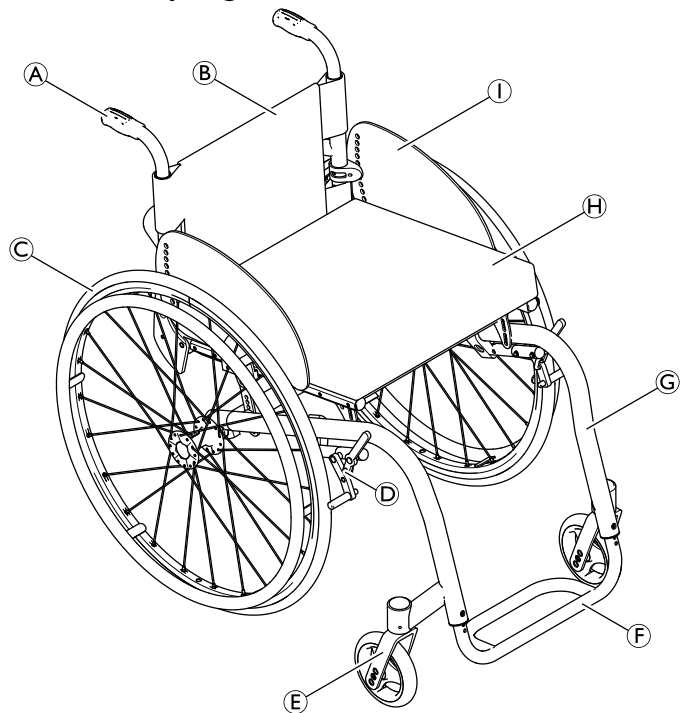
As posições de refreio nas quais as correias do sistema de retenção devem ser colocadas no caso de transporte de uma cadeira de rodas ocupada num veículo.

**Rótulo de advertência do dispositivo anti-queda**

Siga as instruções do manual de utilização antes de utilizar o dispositivo anti-queda.

## 3 MONTAGEM E FUNCIONAMENTO

### 3.1 Descrição geral



Ⓐ	Punho
Ⓑ	Encosto
Ⓒ	Roda traseira com aro de mão
Ⓓ	Travão de estacionamento
Ⓔ	Forqueta da roda dianteira com roda dianteira
Ⓕ	Apoio de pés
Ⓖ	Chassis
Ⓗ	Assento / Almofada
Ⓘ	Guarda lateral

#### Descrição resumida

A Kuschall K-Series *attract* é uma cadeira de rodas com chassis rígido e um encosto dobrável.



O equipamento da sua cadeira de rodas pode ser diferente do ilustrado no diagrama, pois cada cadeira de rodas é fabricada individualmente de acordo com as especificações da encomenda.



## 3.2 Travões de estacionamento

Os travões de estacionamento são utilizados para imobilizar a cadeira de rodas quando está estacionária de modo a impedir a sua deslocação descontrolada.



### ADVERTÊNCIA!

#### Risco de capotagem se travar bruscamente

Se aplicar os travões de estacionamento enquanto se está deslocar, a direcção dos movimentos pode ficar incontrolável e a cadeira de rodas pode parar subitamente, o que pode resultar numa colisão ou na sua queda.

- Nunca aplique os travões de estacionamento enquanto se está a deslocar.



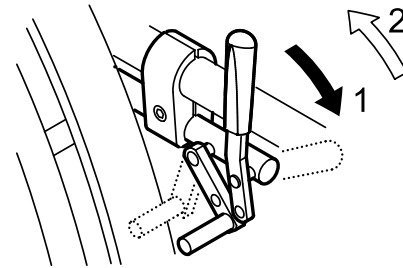
### ADVERTÊNCIA!

#### Risco de capotagem

Os travões de estacionamento só funcionarão correctamente se existir ar suficiente nos pneus.

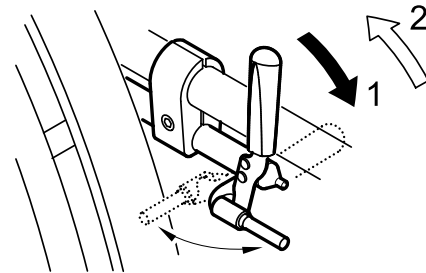
- Certifique-se de que a pressão dos pneus está correcta na secção 3.10 Pneus, página 103

### Travão padrão



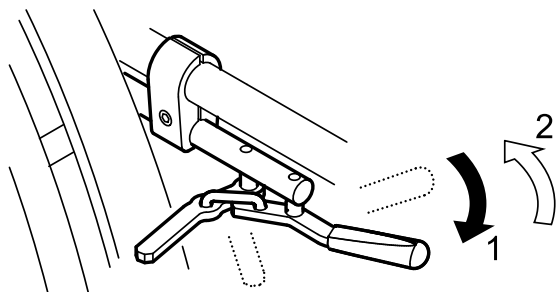
1. Para aplicar o travão, pressione a alavanca de travagem o máximo possível.
2. Para soltar o travão, puxe a alavanca de travagem para trás.

### Travão performance



1. Para aplicar o travão, pressione a alavanca de travagem o máximo possível.
2. Para soltar o travão, puxe a alavanca de travagem para trás.

## Travão activo



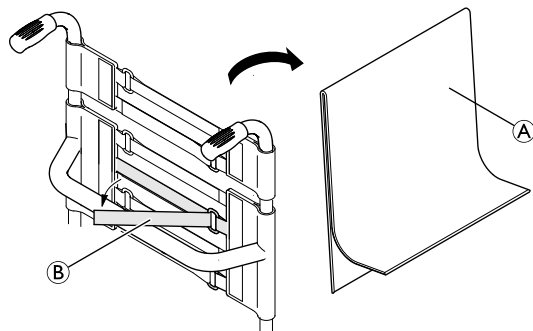
1. Para aplicar o travão, puxe a alavanca de travagem para a frente, de lado ou entre os joelhos, o máximo possível.
2. Para soltar o travão, pressione a alavanca de travagem para trás, de lado ou entre os joelhos, o máximo possível.

## 3.3 Encosto

### Capa do encosto

Pode ajustar a tensão da capa do encosto, conforme necessário.

## Ajuste da capa do encosto



1. Remova a almofada do encosto ①.
2. Solte as fitas adesivas Velcro® ② na parte traseira da capa do encosto, simplesmente puxando por elas.
3. Aperte ou solte as fitas conforme necessário para as voltar a prender.



### ADVERTÊNCIA!

#### Risco de basculação

Se as bandas ficarem reguladas muito soltas, o ponto de basculação da sua cadeira de rodas será acentuado.

– Assegure que as bandas estão reguladas correctamente.

### Altura do encosto

É possível ajustar a altura do encosto. O ajuste deve ser efectuado pelo fornecedor especialista.

## Ângulo do encosto

É possível ajustar o ângulo do encosto. O ajuste deve ser efectuado pelo fornecedor especialista.

## Barra de estabilização para as costas



### ADVERTÊNCIA! Risco de acidentes

A barra de estabilização para as costas não deve ser utilizada para levantar nem transportar a cadeira de rodas quando o utilizador está sentado na mesma, visto poder partir-se.

- A barra de estabilização para as costas não deve ser utilizada para levantar nem transportar a cadeira de rodas quando o utilizador está sentado na mesma.

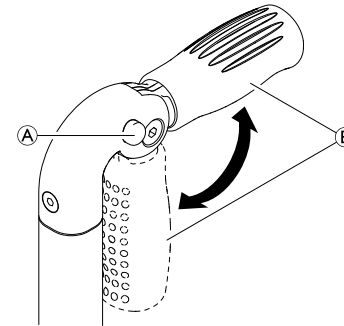
## 3.4 Punhos



### IMPORTANTE!

- Antes de cada utilização, verifique se os punhos estão fixos e se não é possível movê-los ou removê-los.

## Punhos dobráveis (opcional)



1. Prima totalmente o botão **A** e dobre o punho **B** respectivamente para cima ou para baixo até ouvir um som de encaixe.

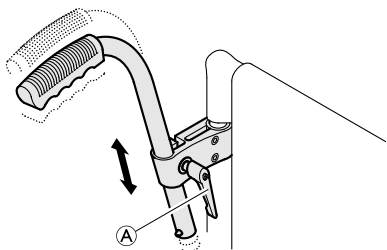


### ATENÇÃO!

- Se não estiver correctamente engatado, o punho pode dobrar-se acidentalmente para baixo ao empurrar a cadeira de rodas.
- Certifique-se de que o punho está correctamente engatado.

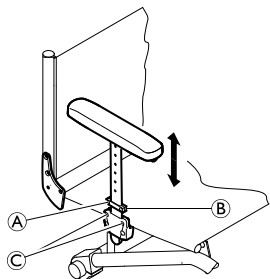
## Punhos reguláveis em altura, reversíveis (opcional)

Os punhos reguláveis em altura possibilitam que cada acompanhante empurre numa posição confortável.



1. Para ajustar a altura dos punhos, solte o parafuso sextavado ①, desloque o punho para a posição pretendida e volte a apertar o parafuso.

### 3.5 Apoio lateral de altura infinitamente ajustável, sem bloqueio



#### ADVERTÊNCIA!

##### Risco de lesão

Os apoios laterais não estão bloqueados e podem ser facilmente puxados para cima.

- Não levante nem transfira a cadeira de rodas utilizando os apoios laterais.
- Não utilize os apoios laterais para transporte ao levar a cadeira de rodas para cima ou para baixo.

#### Remoção

1. Puxe o apoio lateral pela almofada do braço, para fora do suporte.
2. Para ajustar a facilidade ou dificuldade de remoção do apoio lateral do suporte, é possível alterar o grau de aperto dos parafusos ③.

#### Encaixe

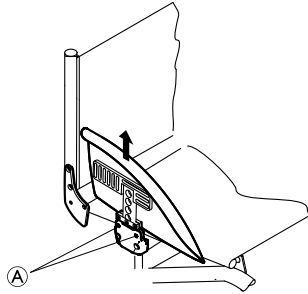
1. Pressione o apoio lateral contra o suporte.

#### Ajuste da altura

1. Desaperte o parafuso ① da placa de retenção ②.
2. Mova o apoio de braço para cima ou para baixo até atingir a altura pretendida.
3. Aperte o parafuso ①.
4. Aplique a mesma definição em ambos os lados.

### 3.6 Guarda-lama

É possível instalar um guarda-lama removível para oferecer protecção contra a projecção de sujidade das rodas. A posição do guarda-lama pode ser ajustada. O ajuste deve ser efectuado pelo fornecedor especialista.



#### Remoção

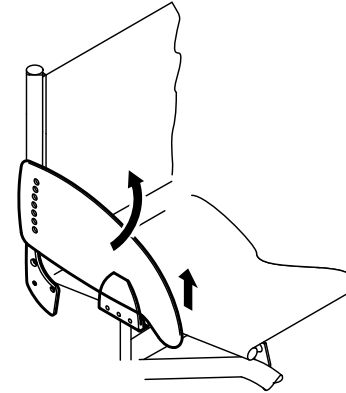
1. Puxe o guarda-lama para cima, para fora do suporte.
2. Para ajustar a facilidade de remoção do guarda-lama do suporte, é possível alterar o grau de aperto dos parafusos A.

#### Encaixe

1. Pressione o guarda-lama contra o suporte.

### 3.7 Guarda lateral

É possível instalar uma guarda lateral para proteger a roupa. Antes de dobrar a parte de trás da cadeira de rodas, é necessário dobrar a guarda lateral para dentro, contra o encosto.

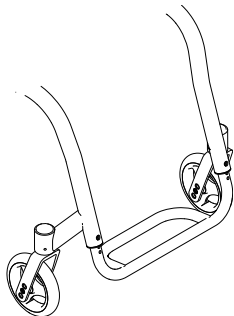


#### Dobragem

1. Eleve a guarda lateral na parte frontal e dobre-a para dentro, contra a parte frontal do encosto.

### 3.8 Apoio de pés

É possível ajustar a altura do apoio de pés. O ajuste deve ser efectuado pelo fornecedor especialista.



### 3.9 Dispositivo anti-queda

Um dispositivo anti-queda impede que a cadeira de rodas se incline para trás.



#### **ADVERTÊNCIA!**

#### **Risco de capotagem**

Dispositivos anti-queda que sejam incorrectamente instalados ou que deixem de funcionar podem resultar em capotagem.

- Verifique sempre se o dispositivo anti-queda funciona antes de utilizar a cadeira de rodas e trate de providenciar a sua regulação ou reajuste por um fornecedor especialista.

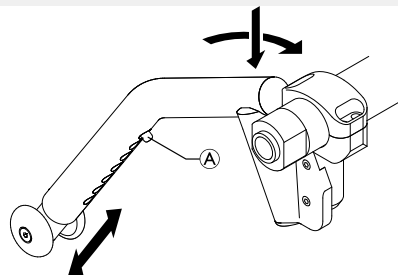


#### **ADVERTÊNCIA!**

#### **Risco de capotagem**

Se a superfície for irregular ou macia, o dispositivo anti-queda pode ficar preso em buracos no pavimento, o que pode limitar ou eliminar a sua função de segurança.

- Utilize o dispositivo anti-queda apenas quando se deslocar numa superfície regular e firme.



#### **Activação do dispositivo anti-queda**

1. Pressione o dispositivo anti-queda completamente para baixo contra a mola e rode-o para trás 90° até este engatar.



#### **ADVERTÊNCIA!**

#### **Risco de basculação**


Um dispositivo anti-queda activado pode ficar preso ao tentar ultrapassar um degrau ou uma extremidade.


- Desactive sempre o dispositivo anti-queda antes de conduzir sobre um degrau ou passeio.

## Desactivação do dispositivo anti-queda

1. Pressione o dispositivo anti-queda completamente para baixo contra a mola e rode-o para dentro 90° até este engatar.

## Regulação da altura

1. Prima o pino de mola  no dispositivo anti-queda e pressione a secção interior contra a posição necessária. Permite que o pino de mola engate no orifício mais próximo.

 Se forem necessários ajustes adicionais de altura e/ou posição, consulte o seu fornecedor especialista.

## 3.10 Pneus

A pressão ideal depende do tipo de pneu:

A tabela abaixo serve de orientação. Caso o pneu seja diferente da lista abaixo, verifique o lado do pneu - muitas vezes a pressão máxima é indicada aí.

Pneu	Pressão máx.		
Roda leve	7 bar	700 kPa	101 psi
Pneu de perfil	7 bar	700 kPa	101 psi
Pneu Schwalbe® Marathon Plus	10 bar	1000 kPa	145 psi
Schwalbe® One	10 bar	1000 kPa	145 psi
Schwalbe® Rightrun, azul	10 bar	1000 kPa	145 psi
Pneu sólido, perfil, cinzento	-	-	-

Pneu	Pressão máx.		
Pneu sólido (tipo KIK), preto	-	-	-
Roda leve, sólida	-	-	-



A compatibilidade dos pneus listados acima depende da configuração e/ou do modelo da sua cadeira de rodas.

## 3.11 Almofada do assento

É necessária uma almofada adequada para proporcionar uma distribuição da pressão uniforme no assento.



Utilize uma almofada do assento com uma capa antiderrapante ou bandas de fixação Velcro® (gancho) para evitar que a almofada do assento escorregue. A capa do assento está pré-equipada com uma banda de fixação de Velcro® (laço).

## 3.12 Posição do assento

### Estabilidade de basculação

A posição do assento e, conseqüentemente, a estabilidade de basculação da cadeira de rodas podem ser alteradas. O ajuste deve ser efectuado pelo fornecedor especialista.

### Parte frontal da altura do assento

É possível ajustar a parte frontal da altura do assento. O ajuste deve ser efectuado pelo fornecedor especialista.

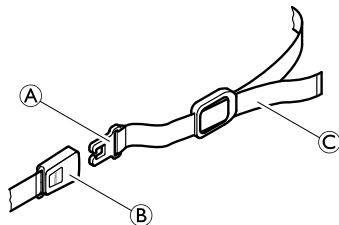
### Parte traseira da altura do assento

É possível ajustar a parte traseira da altura do assento em vários centímetros. O ajuste deve ser efectuado pelo fornecedor especialista.

## 4 ACESSÓRIOS

### 4.1 Cinto pélvico

A cadeira de rodas pode ser equipada com um cinto pélvico para impedir que o utilizador deslize para a frente ou caia da cadeira de rodas.



#### ADVERTÊNCIA!

##### Risco de lesões graves por estrangulamento

- Certifique-se de que está sentado totalmente até à parte traseira do assento e que a pélvis está tão vertical e simétrica quanto possível – não deslizada para à frente num dos lados, nem reclinada.
- Posicione o cinto do colo de forma a poder sentir os ossos da bacia acima do cinto.
- Ajuste o comprimento com as fivelas para assegurar um espaço suficiente para introduzir as mãos entre o seu corpo e o cinto. Recomendamos que o fecho seja mantido numa posição central, ou seja, efectuando ajustes em cada lado.
- Certifique-se de que não é possível ocorrer deslizamento do cinto, nem abertura do fecho. Repita o ajuste do cinto pélvico se necessário, ® revendedor especialista.
- Verifique e mude, se necessário, estes ajustes sempre que o cinto for usado.

#### Retirar cinto pélvico

1. Prima o botão PRESS e puxe o fecho A da fivela B. O cinto pélvico abre-se.

#### Colocar cinto pélvico

1. Insira o fecho A na fivela B.
2. Aperte a correia do cinto C até estar sentado de forma segura na cadeira de rodas.



## 4.2 Bomba de ar

A bomba de ar vem equipada com uma ligação de válvula universal.

1. Retire a tampa anti-pó da ligação da válvula.
2. Pressione a ligação da válvula sobre a válvula aberta da roda e encha o pneu.

## 4.3 Reflectores

Poderá fixar reflectores nas rodas traseiras.

---

## 5 CONFIGURAÇÃO

---

### 5.1 Instruções de segurança



#### **ATENÇÃO!**

#### **Risco de ferimentos**

- Antes de começar a utilizar a cadeira de rodas, verifique o seu estado íntegro e as principais funções, 8.2 Plano de manutenção, página 125

O distribuidor prepara a cadeira de rodas para poder começar a utilizá-la. O distribuidor explica-lhe as principais funções e verifica se a cadeira de rodas está conforme as suas indicações e necessidades.

## 6 UTILIZAR A CADEIRA

### 6.1 Informações de segurança

**ADVERTÊNCIA!****Risco de acidentes**

Uma pressão dos pneus irregular pode ter um impacto enorme no manuseamento.

- Verifique a pressão dos pneus antes de cada viagem.

**ADVERTÊNCIA!****Risco de queda para fora da cadeira de rodas**

Ao utilizar rodas dianteiras demasiado pequenas, a cadeira de rodas pode ficar presa em passeios ou em ranhuras do pavimento.

- Certifique-se de que as rodas dianteiras são adequadas para a superfície na qual está a conduzir.

**ATENÇÃO!****Risco de esmagamento**

Pode existir um espaço muito pequeno entre a roda traseira e o guarda-lama, implicando o risco de entalamento dos seus dedos.

- Certifique-se de que impulsiona sempre a cadeira de rodas utilizando apenas os aros de mãos.

**ATENÇÃO!****Risco de esmagamento**

Pode existir um espaço muito pequeno entre a roda traseira e o travão de estacionamento, implicando o risco de entalamento dos seus dedos.

- Certifique-se de que impulsiona sempre a cadeira de rodas utilizando apenas os aros de mãos.

**Sistemas antirroubo e de deteção de metal**

Em casos raros os materiais utilizados na cadeira de rodas podem ativar sistemas antirroubo e de deteção de metal.

## 6.2 Travar durante a condução

Travar durante a condução mediante o uso das mãos nos aros.



### **ADVERTÊNCIA!** **Risco de queda**

Se accionar os travões de estacionamento durante a condução, a direcção de condução fica incontrolável e a cadeira de rodas pode parar abruptamente, o que poderá levar a colisões ou quedas.

- Não accione os travões de estacionamento durante a condução.



### **ADVERTÊNCIA!** **Risco de queda para fora da cadeira de rodas**

Se a cadeira de rodas for travada bruscamente por um assistente ao puxar os punhos para empurrar, o utilizador poderá cair da cadeira de rodas.

- Aplique sempre o cinto pélvico, caso disponível.
- Certifique-se de que o assistente recebeu treino individual sobre a deslocação de cadeiras de rodas ocupadas.



### **ATENÇÃO!** **Risco de queimaduras nas mãos**

Os aros (especialmente os MaxGrepp e os Supergripp) podem aquecer quando trava durante algum tempo.

- Utilize luvas adequadas.

1. Segure os aros e pressione de forma regular, até a cadeira de rodas ficar imobilizada.

## 6.3 Sentar-se e levantar-se da cadeira de rodas



### **ADVERTÊNCIA!** **Risco de queda**

Durante a permuta, o risco de queda é maior.

- Sente-se ou levante-se da cadeira de rodas apenas se estiver fisicamente apto.



### **ADVERTÊNCIA!** **Risco de queda**

A cadeira de rodas pode tombar para a frente se estiver em cima do apoio para os pés.

- Não se ponha em cima do apoio para os pés quando se sentar ou se levantar da cadeira.



### **ATENÇÃO!**

Quando os travões se soltam ou se quebram, a cadeira de rodas pode deslizar de forma descontrolada.

- Não se apoie nos travões quando se sentar ou se levantar da cadeira.



### **IMPORTANTE!**

O guarda-lamas ou o apoio para os braços podem quebrar-se.

- Não se sente em cima do guarda-lamas ou do apoio para os braços quando se sentar ou se levantar da cadeira.

1. Accione os travões de estacionamento.
2. Coloque os pés no chão.

3. Segure-se à cadeira e, se necessário, a um objecto fixo à sua volta.
4. Desloque-se lentamente para a cadeira.

## 6.4 Conduzir a cadeira de rodas

A cadeira de rodas conduz-se através dos aros motores.

Antes de conduzir sem acompanhante, tem de encontrar o ponto de equilíbrio da cadeira de rodas.



### **ADVERTÊNCIA!**

#### **Risco de queda**

A cadeira de rodas pode tombar para trás caso não esteja montada uma roda anti-volteio. Para encontrar o ponto de equilíbrio deve ter um acompanhante atrás da cadeira, para este segurar a cadeira caso esta se vire.

- Para evitar que a cadeira se vire, monte um mecanismo anti-volteio.



### **ADVERTÊNCIA!**

#### **Risco de basculação**

A cadeira de rodas pode inclinar-se para a frente.

- Quando preparar a cadeira de rodas, teste o comportamento basculante e ajuste o estilo de condução em conformidade.

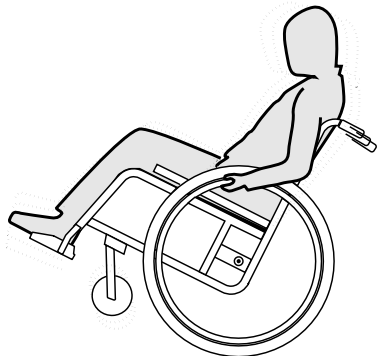


### **ATENÇÃO!**

Se tiver uma carga elevada pendurada no encosto, o centro de gravidade da cadeira poderá ser influenciado.

- Ajuste o seu comportamento de condução a esta situação.

## Encontrar o ponto de equilíbrio



1. Solte o travão.
2. Ande um pouco para a frente, segure bem os dois aros motores e puxe-os com um pouco de balanço.
3. Encontrará o ponto de equilíbrio através do deslocamento do peso, e impulsionando a cadeira em direcção contrária através do aros motores.

## 6.5 Passar sobre degraus e bordas do passeio



### **ADVERTÊNCIA!**

#### **Risco de queda**

Ao passar sobre degraus, poderá perder o equilíbrio e tombar com a cadeira de rodas.

- Passe sobre os degraus e as bordas de passeio lentamente e com cuidado.
- Não passe sobre degraus que sejam mais altos do que 25 cm.



### **ATENÇÃO!**

Uma roda anti-volteio activa evita que a cadeira de rodas possa tombar para trás.

- Desactive a roda anti-volteio sempre que tiver de conduzir sobre um degrau ou a borda de um passeio.

## Com acompanhante



## Descer um degrau

1. Conduza a cadeira de rodas até à borda e agarre-se aos aros motores.
2. O acompanhante segura ambos os punhos, coloca um pé junto da roda anti-volteio (caso montada) e inclina a cadeira de rodas para trás, de forma a levantar as rodas dianteiras do chão.
3. O acompanhante segura a cadeira de rodas nesta posição, empurra-a cuidadosamente para descer o degrau e inclina a cadeira para a frente até as rodas dianteiras tocarem novamente no chão.

## Subir um degrau



### ADVERTÊNCIA!

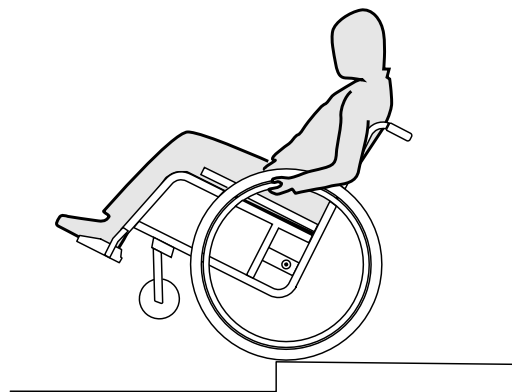
#### Risco de lesões graves

A condução sobre degraus e lancis pode resultar em danos precoces por fadiga no encosto da cadeira de rodas.

– O utilizador pode cair para fora da cadeira de rodas.

1. Conduza a cadeira de rodas de forma a que as rodas traseiras atinjam a borda.
2. Segurando ambos os punhos, o acompanhante inclina a cadeira de rodas de forma a que as rodas dianteiras se ergam do chão e empurra as rodas traseiras sobre a borda até que as rodas dianteiras possam ser colocadas no chão.

## Sem acompanhante





### **ADVERTÊNCIA!**

#### **Risco de queda**

Quando desce um degrau sem o auxílio de um acompanhante, poderá tombar para trás, caso não domine a cadeira de rodas.

- Aprenda, em primeiro lugar, como descer um degrau com o auxílio de um acompanhante.
- Aprenda a equilibrar-se com as rodas traseiras, 6.4 Conduzir a cadeira de rodas, página109

### **Descer um degrau**

1. Conduza a cadeira de rodas até à borda, levante as rodas dianteiras e equilibre-se.
2. Agora, com cuidado, passe com ambas as rodas traseiras sobre a borda. Ao fazê-lo, agarre-se bem aos aros motores até as rodas dianteiras tocarem novamente no chão.

## **6.6 Passar sobre escadas**



### **ADVERTÊNCIA!**

#### **Risco de queda**

Ao passar sobre escadas, poderá perder o equilíbrio e cair com a cadeira de rodas.

- Tente passar sobre escadas sempre com o auxílio de dois acompanhantes.



1. As escadas podem ser ultrapassadas, na medida em que se passa um degrau de cada vez, tal como acima descrito. Para tal, o primeiro acompanhante deve colocar-se atrás da cadeira de rodas e segurá-la pelos punhos. O segundo acompanhante segura numa parte fixa do chassis dianteiro, estando, assim, a cadeira de rodas segura pela frente.



## 6.7 Conduzir sobre rampas e subidas



### ADVERTÊNCIA!

#### Risco causado por condução descontrolada

Em subidas ou descidas, a cadeira de rodas pode tombar para trás, para o lado ou para a frente.

- Tente subir as longas inclinações sempre com o auxílio de um acompanhante atrás da cadeira.
- Evite inclinações laterais.
- Evite as subidas com uma inclinação superior a 7°.
- Em subidas, evite mudar de direcção de repente.



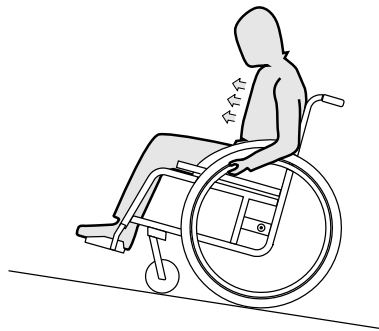
### ATENÇÃO!

Mesmo em descidas não muito acentuadas, A cadeira pode deslizar se não a controlar através dos aros motores.

- Accione o travão de estacionamento quando estiver parado com a cadeira em descidas.

## Subir

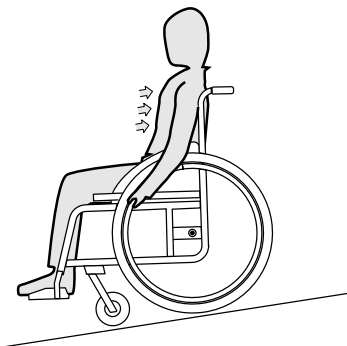
Para conduzir a subir, tem de tomar balanço, manter o balanço e, simultaneamente, controlar a direcção.



1. Incline a parte superior do corpo para a frente e conduza a cadeira com empurrões rápidos e fortes nos aros motores.

## Descer

Ao descer, é importante controlar a direcção e, sobretudo, a velocidade.



1. Encoste-se e deixe os aros motores deslizarem cuidadosamente pelas suas mãos. Deverá sempre conseguir parar a cadeira de rodas ao segurar os aros motores.



### ATENÇÃO!

#### Risco de queimadura

Os aros (especialmente os MaxGrepp e os Supergripp) podem aquecer quando trava durante algum tempo. Poderá queimar as palmas das mãos.

- Utilize luvas adequadas.

## 6.8 Estabilidade e equilíbrio enquanto está sentado

Nalgumas actividades e acções do quotidiano, torna-se necessário debruçar-se da cadeira de rodas, para a frente, para o lado ou para trás. Isto influencia muito a estabilidade da cadeira de rodas. De forma a manter sempre o equilíbrio, tenha em atenção o seguinte:

### Debruçar-se para a frente

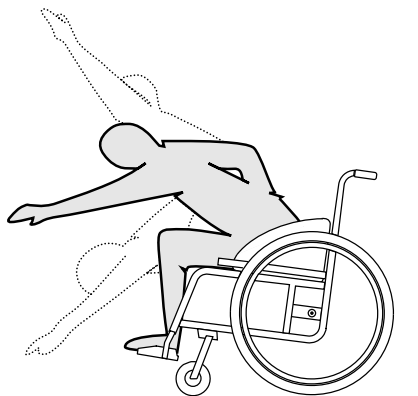


#### ADVERTÊNCIA!

##### Risco de queda

Quando se debruça da cadeira de rodas, poderá cair da mesma.

- Não se incline demasiado para a frente e não deslize para a frente no assento para chegar a um objecto.
- Não se incline entre os joelhos para a frente para apanhar um objecto do chão.



1. Posicione as rodas dianteiras para a frente. (Para tal, ande um pouco com a cadeira de rodas para a frente e depois para trás.)
2. Accione ambos os travões de estacionamento.
3. Debruce-se para a frente apenas até a parte superior do seu corpo ficar sobre as rodas dianteiras.

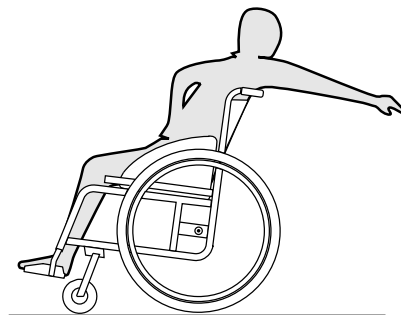
### Estender a mão para trás para alcançar um objecto



#### **ADVERTÊNCIA!** **Risco de queda**

Se se inclinar demasiado para trás, poderá cair com a cadeira.

- Não se debruce para além do encosto da cadeira.
- Utilize um mecanismo anti-volteio.



1. Posicione as rodas dianteiras para a frente. (Para tal, ande um pouco com a cadeira de rodas para a frente e depois para trás.)
2. Não accione os travões de estacionamento.
3. Estenda ao máximo a mão para trás sem alterar a sua posição no assento.

## 7 TRANSPORTE

### 7.1 Instruções de segurança



#### ADVERTÊNCIA!

**Risco de lesão se a cadeira de rodas não estiver devidamente fixada**

Em caso de acidente, manobra de travagem, etc., o utilizador pode sofrer lesões graves como devido a peças da cadeira de rodas serem disparadas pelo ar.

- Retire sempre as rodas posteriores quando transportar a cadeira de rodas.
- Em caso de deslocação, prenda com firmeza todos os componentes da cadeira de rodas para prevenir que se soltem durante a viagem.



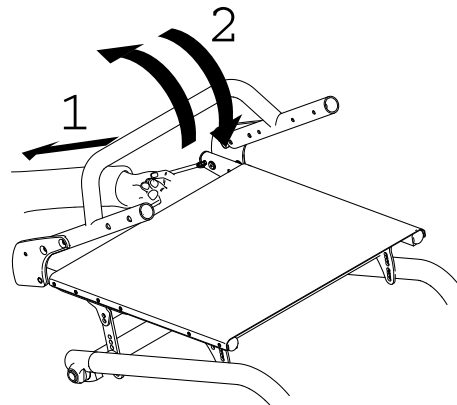
#### IMPORTANTE!

Os materiais muito desgastados podem afectar a consistência de peças de suporte.

- Não movimente a cadeira de rodas com as rodas desmontadas em chão abrasivo (p.ex.: arrastar o chassis pelo asfalto).

### 7.2 Dobragem e desdobragem da cadeira de rodas

A cadeira de rodas tem um chassis rígido. No entanto, o encosto pode ser dobrado para a frente e fixado nessa posição.



#### Dobragem da cadeira de rodas

1. Remova a almofada do assento, caso presente.
2. Dobre a guarda lateral, caso presente, para dentro e contra o encosto em ambos os lados.
3. Puxe o cabo na parte de trás da cadeira de rodas (1) e dobre o encosto para a frente (2) até encaixar.
4. A cadeira de rodas poderá então ser levantada utilizando a coluna do encosto.

## Desdobragem da cadeira de rodas

### ! IMPORTANTE!

- Quando desdobrar a cadeira de rodas, não puxe a coluna do encosto sem antes soltar o encosto com o cabo de desbloqueio.
- Confirme que o encosto está completamente encaixado no chassis antes de utilizar a cadeira de rodas novamente.

1. Puxe o cabo no encosto da cadeira de rodas (1).
2. Puxe o encosto para trás (2), utilizando a coluna do encosto, até o tubo do encosto encaixar nos dois lados do chassis.
3. Dobre a guarda lateral na posição de utilização em ambos os lados.

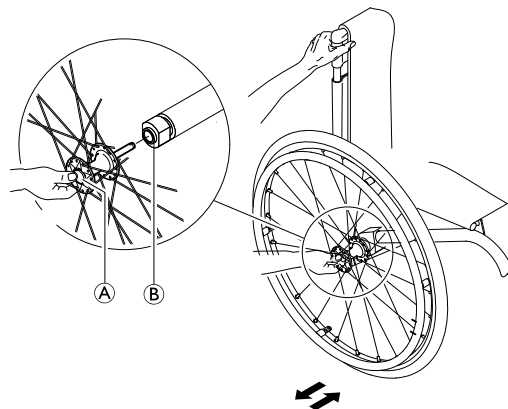
## 7.3 Remoção e encaixe das rodas traseiras



### ADVERTÊNCIA! Risco de capotagem

Se o eixo removível de uma roda traseira não estiver totalmente encaixado, a roda pode soltar-se durante a utilização. Tal poderá resultar na capotagem.

- Certifique-se de que os eixos removíveis estão totalmente encaixados sempre que instalar uma roda.

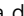


### Remoção das rodas traseiras

1. Solte os travões.
2. Com uma mão, segure a cadeira de rodas na posição vertical.
3. Com a outra mão, segure a roda no suporte externo dos raios, em redor da conexão da roda.
4. Com o polegar, pressione o botão de remoção do eixo (A). Mantenha o botão pressionado e puxe a roda para fora do tubo adaptador (B).

### Encaixe das rodas traseiras

1. Solte os travões.
2. Com uma mão, segure a cadeira de rodas na posição vertical.
3. Com a outra mão, segure a roda no suporte externo dos raios, em redor da conexão da roda.
4. Com o polegar, mantenha o botão de remoção do eixo pressionado.

5. Introduza o eixo no tubo adaptador  até à marca de paragem.
6. Solte o botão de remoção do eixo e certifique-se de que a roda está fixa.

## 7.4 Transportar a cadeira de rodas ocupada num veículo

Mesmo prendendo adequadamente a cadeira de rodas e respeitando as regras que se seguem, é possível que os passageiros se lesionem em virtude de uma colisão ou de uma paragem brusca. Como tal, a Kuschall® recomenda vivamente que o utilizador da cadeira de rodas seja transferido para o assento do veículo com o cinto de segurança colocado. Não altere nem substitua os pontos da cadeira de rodas (estrutura, chassis ou peças) sem a autorização escrita da Kuschall AG. A cadeira de rodas foi testada com êxito de acordo com os requisitos da norma ISO 7176-19.



### **ADVERTÊNCIA!**

#### **Risco de lesões graves ou morte**

Para utilizar a cadeira de rodas como assento num veículo a altura do encosto deverá ser de pelo menos 400 mm.

Para transportar a cadeira de rodas com o utilizador num veículo, este deverá estar equipado com um sistema de retenção. Os sistemas de refreio e de retenção do ocupante têm de estar aprovados em conformidade com a norma ISO 10542-1. Contacte o seu representante local ou fornecedor especialista da Invacare® para mais informações sobre a obtenção e instalação de um sistema de retenção aprovado e compatível.



### **ADVERTÊNCIA!**

Se, por alguma razão, for impossível transferir o utilizador da cadeira de rodas para um assento do veículo, a cadeira de rodas pode ser utilizada como assento num veículo, desde que se cumpram os procedimentos e regulamentos seguintes.

- A cadeira de rodas deve estar presa ao veículo através de um sistema de retenção de cadeira de rodas de 4 pontos.
- O utilizador deve usar um sistema de retenção de passageiro de 3 pontos, o qual estará preso ao veículo.
- O utilizador deve ser adicionalmente preso com um cinto de postura na cadeira de rodas.



### **ADVERTÊNCIA!**

Os dispositivos de retenção de segurança só devem ser utilizados quando o peso do utilizador da cadeira de rodas for igual ou superior a 22 kg (ISO-7176-19).

- Não utilize a cadeira de rodas como assento num veículo, quando o peso do utilizador for inferior a 22 kg.

**ADVERTÊNCIA!**

- Antes da viagem, contacte a empresa transportadora e solicite informações sobre a capacidade de utilização do equipamento necessário, abaixo indicado.
- Certifique-se de que há espaço livre suficiente em torno da cadeira de rodas e do utilizador para evitar que este entre em contacto com os outros ocupantes do veículo, as peças não almofadadas do veículo, os acessórios da cadeira de rodas ou os pontos de ancoragem do sistema de retenção.

**ADVERTÊNCIA!**

- Certifique-se de que os pontos de refreio da cadeira de rodas não estão danificados e que os travões de estacionamento estão completamente funcionais.
- Recomenda-se a utilização de pneus à prova de furos durante o transporte para evitar problemas de travagem devido a uma pressão dos pneus reduzida.

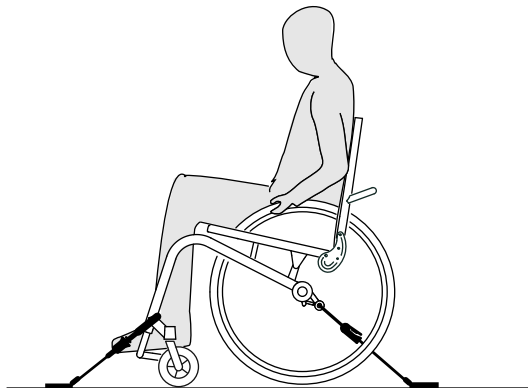
**ADVERTÊNCIA!**

- Se componentes ou acessórios da cadeira de rodas se soltarem, poderão ocorrer lesões ou danos durante uma colisão ou paragem brusca.
- Certifique-se de que todos os componentes e acessórios removíveis são retirados da cadeira de rodas e guardados com segurança no veículo.
  - É essencial a verificação da cadeira de rodas por um fornecedor especialista após um acidente, colisão, etc.

**IMPORTANTE!**

- Recomendamos que seja prestada formação relativamente à utilização adequada de um sistema de retenção.
- Consulte os manuais de utilização facultados com os sistemas de retenção.
  - As seguintes ilustrações podem não corresponder à realidade, dependendo do fornecedor do sistema de retenção.

## Prender a cadeira de rodas com um sistema de retenção de 4 pontos



se seguem e a secção 1.2 Símbolos utilizados neste manual de utilização, página 91).

1. Utilizando as correias dianteira e traseira do sistema de retenção de 4 pontos, prenda a cadeira de rodas às guardas instaladas do veículo. Consulte o manual de utilização facultado com o sistema de retenção de 4 pontos.



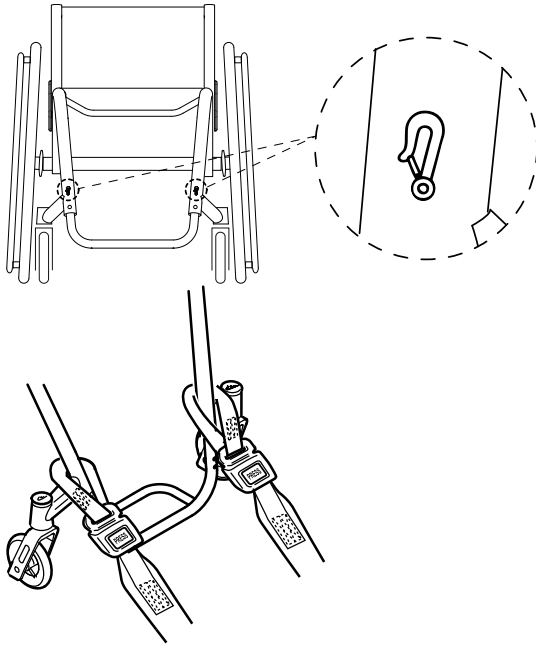
### ADVERTÊNCIA!

- Coloque a cadeira de rodas com o utilizador voltado para a frente na direcção da deslocação do veículo.
- Aplique os travões de estacionamento da cadeira de rodas.
- Active o dispositivo anti-queda (se estiver instalado).

As posições de refreio da cadeira de rodas onde se devem de colocar as correias do sistema de retenção estão marcadas com símbolos de ganchos fechados (consulte as figuras que



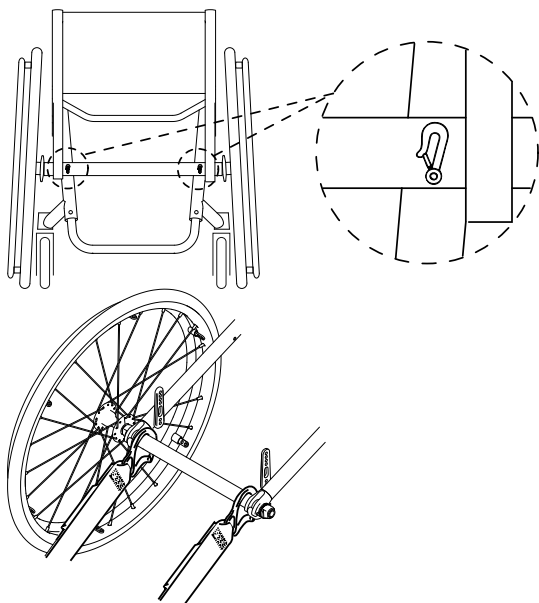
Posições de refreio dianteiras das correias do cinto:



1. Instale as correias dianteiras acima das peças de apoio das rodas tal como ilustrado nas duas figuras acima (consulte a localização das etiquetas de encaixe).
2. Instale as correias dianteiras do sistema de guarda da forma que corresponde às instruções recomendadas de melhor prática do fabricante do cinto de segurança.

3. Solte os travões de estacionamento e aplique tensão às correias dianteiras puxando a cadeira de rodas para trás pela parte posterior.
4. Volte a aplicar os travões de estacionamento.

Posições de refreio da secção lateral para os ganchos fechados:



1. Instale os ganchos fechados no eixo, junto às peças de suporte do eixo, tal como apresentado nas duas figuras acima (consulte a localização das etiquetas de encaixe).
2. Instale as correias traseiras do sistema de guarda da forma que corresponde às instruções recomendadas de melhor prática do fabricante do cinto de segurança.
3. Aperte as correias.

**!** **IMPORTANTE!**

– Certifique-se de que os ganchos fechados estão revestidos com um material de resistência ao deslizamento para evitar que escorreguem lateralmente sobre o eixo.

**!** **IMPORTANTE!**

– Verifique se as ventosas estão completamente engatadas dos dois lados e localizadas na mesma posição da secção recortada da guarda.  
– Certifique-se de que os ângulos entre as guardas e as correias se encontram entre 40° e 45°.

### Encaixar o cinto de postura

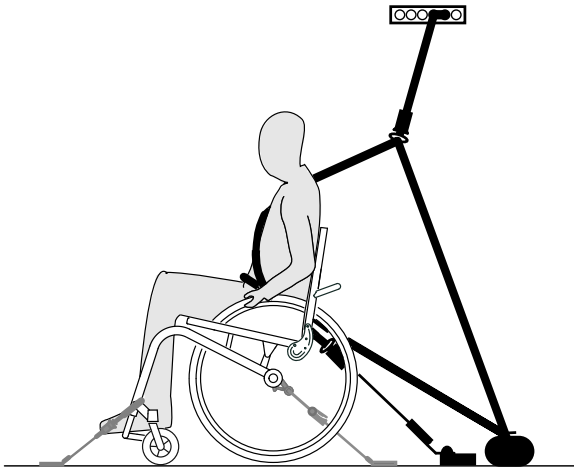


**ADVERTÊNCIA!**

O cinto de postura deve ser utilizado como suplemento e nunca como substituto para um sistema de retenção de passageiro aprovado (cinto de 3 pontos).

1. Ajuste o cinto de postura de modo a que se adapte ao ocupante da cadeira de rodas. Consulte a secção 4.1 Cinto pélvico, página104

## Apertar o sistema de retenção de passageiro de 3 pontos



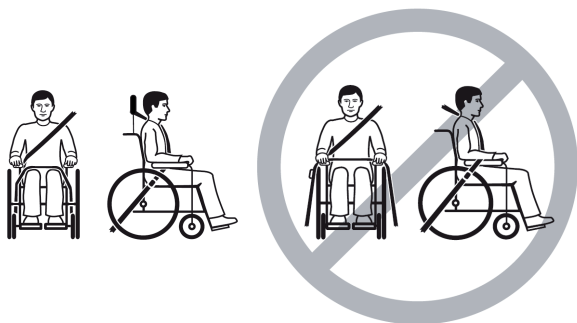
### IMPORTANTE!

A ilustração acima pode não corresponder à realidade, dependendo do fornecedor do sistema de retenção.



### ADVERTÊNCIA!

- Certifique-se de que o sistema de retenção de passageiro de 3 pontos fica o mais ajustado ao corpo do utilizador possível, sem causar desconforto e sem que haja peças dobradas.
- Certifique-se de que o sistema de retenção de passageiro de 3 pontos não está afastado do corpo do utilizador devido a peças da cadeira de rodas tais como os apoios de braços ou as rodas, etc.
- Certifique-se de que há uma via livre entre o utilizador e o ponto de ancoragem para a retenção do utilizador, sem interferência por qualquer parte do veículo, cadeira de rodas, assento ou acessório.
- Certifique-se de que o cinto do colo fica bem apertado sobre a pélvis do ocupante e que não há possibilidade de deslizar para cima, para a área abdominal.
- Certifique-se de que o utilizador consegue chegar ao mecanismo de desengate sem ajuda.

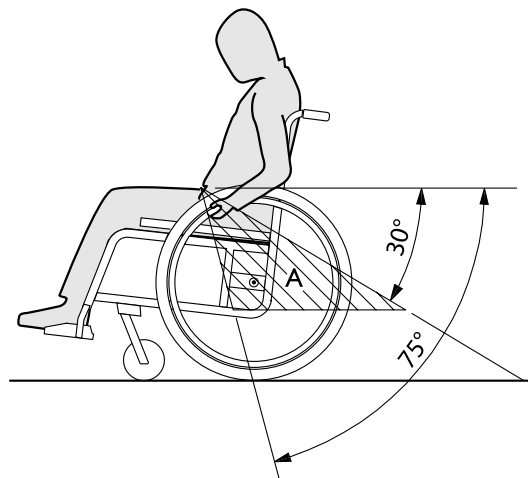


1. Instale o sistema de retenção de passageiro de 3 pontos consultando o manual de utilização fornecido com o mesmo sistema.



### IMPORTANTE!

– Aplique o cinto pélvico do sistema de retenção de passageiro de 3 pontos na zona mais baixa da pélvis, para que o ângulo do cinto pélvico fique na zona preferencial (A) de 30° a 75° em relação ao plano horizontal. Um ângulo mais inclinado é a melhor configuração, mas nunca poderá exceder os 75°.



## 8 MANUTENÇÃO

### 8.1 Instruções de segurança



#### ADVERTÊNCIA!

Alguns materiais são passíveis de desgaste, o que poderá levar a danos de peças da cadeira de rodas.  
 – Porém, após algum tempo, deverá solicitar o distribuidor para verificar a cadeira de rodas, pelo menos uma vez por ano.



Para obter ajuda na execução das medidas de manutenção regulares, contacte o distribuidor da *küschall®*. Para encontrar um distribuidor autorizado perto de si, contacte a representação da *küschall®* no seu país (® no final deste documento).

### 8.2 Plano de manutenção

De forma a garantir a segurança e a fiabilidade, execute regularmente os seguintes trabalhos de manutenção ou solicite a outra pessoa para os executar.

	Semanal-mente	Mensal-mente	Anual-mente
Verificar a pressão de ar dos pneus	x		
Verificar a posição correcta das rodas traseiras	x		

	Semanal-mente	Mensal-mente	Anual-mente
Verificação do ajuste da articulação do apoio de costas	x		
Verifique o cinto de postura	x		
Controlo visual		x	
Limpar rodas dianteiras		x	
Verificar uniões aparafusadas		x	
Verificar raios		x	
Verificar travões de estacionamento		x	
Verificação da cadeira de rodas por parte do técnico especializado			x

#### Verificar a pressão de ar dos pneus

1. Meça a pressão de ar dos pneus, 3.10 Pneus, página 103
2. Encha os pneus com a pressão de ar necessária.
3. Verifique também o perfil dos pneus.
4. Caso necessário, substitua os pneus.

## Verificar a posição correcta das rodas traseiras

1. Puxe a roda traseira para verificar a posição do eixo de extracção. A roda não deverá soltar-se.
2. Se as rodas traseiras não encaixarem devidamente, remova possível sujidade. Se o problema continuar a persistir, solicite a um técnico especializado para colocar os eixos de extracção.

## Verificação do ajuste da articulação do apoio de costas

1. Sente-se na cadeira de rodas, encostado ao apoio de costas. O apoio de costas deverá estar correctamente encaixado.
2. Puxe o cabo de desbloqueio. Os pinos devem deslocar-se livremente nos dois lados. Caso contrário, a articulação do apoio de costas deverá ser reinstalada por um fornecedor especialista.

## Verifique o cinto de postura

1. Verifique se o cinto de postura está ajustado correctamente.



### IMPORTANTE!

- Os cintos de postura soltos devem ser ajustados por um fornecedor especializado.
- Os cintos de postura danificados devem ser reparados por um fornecedor especializado.

## Controlo visual

1. Veja se encontra peças soltas, rasgos ou outros danos na cadeira de rodas.
2. Solicite a verificação da cadeira de rodas por parte de um técnico especializado se verificar algum problema.

## Limpar rodas dianteiras

1. Verifique se as rodas dianteiras rodam sem dificuldade.
2. Remova sujidade e cabelos dos rolamentos das rodas dianteiras.

## Verificar uniões aparafusadas

Se a cadeira for utilizada com muita frequência, os parafusos podem soltar-se.

1. Verifique se os parafusos estão apertados (no apoio para os pés, no assento, nas partes laterais, no encosto, no chassis, no módulo do assento).
2. Aperte todos os parafusos soltos com um binário adequado. Consulte o manual de assistência Kuschall K-Series, disponível na Internet em [www.kueschall.com](http://www.kueschall.com).



### IMPORTANTE!

- Após serem várias vezes enroscados e desenroscados, as porcas e os parafusos de segurança perdem o efeito.
- Solicite a um técnico especializado para substituir as porcas e os parafusos de segurança.

## Verificar esforço de tensão dos raios

Os raios não podem estar soltos nem deformados.

1. Solicite a um técnico especializado para apertar os raios.
2. Solicite a um técnico especializado para substituir os raios quebrados.

## Verificar travões de estacionamento

1. Verifique a posição correcta dos travões de estacionamento. O travão está correctamente posicionado se a sapata do travão entrar alguns milímetros no pneu, quando o travão estiver accionado.
2. Se verificar que a configuração não está correcta, solicite a um técnico especializado para configurar os travões de forma correcta.

### ! IMPORTANTE!

Após a substituição ou a alteração de posicionamento das rodas traseiras, os travões de estacionamento têm de ser novamente ajustados.

## Verificação após uma forte colisão ou impacto

### ! IMPORTANTE!

A cadeira de rodas pode sofrer danos invisíveis em resultado de uma colisão ou impacto forte.  
– É essencial a verificação da cadeira de rodas por um fornecedor especialista após uma colisão ou impacto forte.

## Reparar e substituir a câmara-de-ar

1. Remova a roda traseira e esvazie a câmara-de-ar.
2. Levante um flanco do pneu da jante. Para tal, utilize um saca-pneus para bicicletas e não um objecto afiado, como chaves de fendas, de forma a não danificar a câmara-de-ar.
3. Retire a câmara-de-ar do pneu.
4. Repare a câmara com remendos para bicicletas ou, caso necessário, substitua a câmara-de-ar.
5. Encha a câmara lentamente com ar, até esta ficar redonda.

6. Insira a válvula no orifício da jante para a válvula e coloque a câmara-de-ar dentro do pneu (a câmara deverá posicionar-se sem dobras em volta).
7. Levante os flancos dos pneus sobre a borda da jante. Comece na zona da válvula e utilize um saca-pneus para bicicletas. Ao fazê-lo, verifique se a câmara-de-ar não fica entalada entre o pneu e a jante.
8. Encha os pneus até atingir a pressão máxima de serviço. Certifique-se de que o pneu já não deita ar.

## Peças sobressalentes



Todas as peças sobressalentes podem ser adquiridas através de um distribuidor da kÜschall®. Encontrará uma lista com todas as peças sobressalentes disponíveis na Internet, em [www.kueschall.com](http://www.kueschall.com).

## 8.3 Conservação

A vida útil da cadeira de rodas será longa se a zelar regularmente.

### ! IMPORTANTE!

A areia e a água salgada podem danificar os rolamentos; as partes em aço poderão enferrujar, se a superfície estiver danificada.  
– Não exponha a cadeira de rodas durante muito tempo a areia e água salgada, e limpe-a sempre depois de uma visita à praia.

### ! IMPORTANTE!

– Não utilize produtos de limpeza ásperos, agentes de limpeza abrasivos nem mecanismos de limpeza de alta pressão.

1. Limpe as capas e as partes em metal com um pano húmido.
2. Seque a cadeira cuidadosamente com um pano após uma viagem à chuva ou após tomar banho.
3. Se a cadeira de rodas estiver suja, tente limpar a sujidade enquanto ainda estiver molhada e seque cuidadosamente a cadeira com um pano.

## 8.4 Desinfecção

É permitida a utilização de produtos de desinfecção, para pulverizar ou esfregar, que foram testados e reconhecidos.



Encontrará uma lista de produtos de desinfecção autorizados no Instituto Robert Koch, em [www.rki.de](http://www.rki.de).



---

## 9 RESOLUÇÃO DE PROBLEMAS

---

### 9.1 Instruções de segurança

É possível surgirem problemas na cadeira de rodas, devido à utilização diária, novos ajustes ou indicações diferentes. A tabela seguinte mostra como se identificam problemas e se resolvem.



#### **ATENÇÃO!**

- Se identificar algum problema com a sua cadeira de rodas, p.ex., uma diferença grande no comportamento de condução da cadeira, contacte imediatamente o distribuidor.



#### **IMPORTANTE!**

- Algumas das medidas apresentadas têm de ser tomadas por parte de um distribuidor autorizado. As medidas em questão estão assinaladas. Recomendamos que solicite um distribuidor para efectuar *todos* os ajustes.

## 9.2 Identificar e resolver problemas

Problema	Causa possível	Medida
A cadeira de rodas não anda a direito	Pressão de ar do pneu errada numa das rodas traseiras	Corrigir a pressão de ar dos pneus, ® 3.10 Pneus, página103
	Um ou mais raios quebrados	Substituir os raios danificados, ® solicitar a técnico especializado
	Raios apertados de forma diferente	Apertar os raios soltos, ® solicitar a técnico especializado
	Rolamentos das rodas dianteiras sujos ou danificados	Limpar ou substituir rolamentos, ® solicitar a técnico especializado
A cadeira de rodas tomba muito facilmente para trás	As rodas traseiras estão montadas demasiado à frente	Montar as rodas traseiras mais atrás, ® solicitar a técnico especializado
	Ângulo do encosto demasiado grande	Diminuir o ângulo do encosto, ® solicitar a técnico especializado
Os travões não travam correctamente ou de forma assimétrica	Pressão de ar do pneu errada numa ou em ambas as rodas traseiras	Corrigir a pressão de ar dos pneus, ® 3.10 Pneus, página103
	Configuração incorreta dos travões	Corrigir a configuração dos travões, ® solicitar a técnico especializado
Resistência ao rolamento muito grande	Pressão de ar dos pneus das rodas traseiras demasiado baixa	Corrigir a pressão de ar dos pneus, ® 3.10 Pneus, página103
	Rodas traseiras não paralelas	Assegurar que as rodas traseiras estão paralelas, ® solicitar a técnico especializado

<b>Problema</b>	<b>Causa possível</b>	<b>Medida</b>
Rodas dianteiras vibram com velocidade mais elevada	Tensão demasiado baixa no bloco de rolamentos das rodas dianteiras	Apertar um pouco a porca no eixo do bloco de rolamentos, @ solicitar a técnico especializado
	Roda dianteira completamente desgastada	Substituir roda dianteira, @ solicitar a técnico especializado
Roda dianteira anda com dificuldade ou está bloqueada	Rolamentos sujos ou danificados	Limpar ou substituir rolamentos, @ solicitar a técnico especializado

## 10 APÓS A UTILIZAÇÃO

### 10.1 Armazenamento

#### ! IMPORTANTE!

Risco de danos no produto

- Não guarde o produto junto a fontes de calor.
- Nunca guarde outros artigos em cima da cadeira de rodas.
- Guarde a cadeira de rodas no interior e num ambiente seco.
- Consulte a secção 11.2 Condições ambientais, página 134

Após o armazenamento de longa duração (mais de 4 meses), a cadeira de rodas deve ser inspecionada em conformidade com a secção 8 Manutenção, página 125

### 10.2 Voltar a utilizar

A cadeira de rodas pode voltar a ser utilizada. Será necessário tomar as seguintes medidas:

- Limpeza e desinfecção, 8.3 Conservação, página 127 e 8.4 Desinfecção, página 128 neste manual de instruções.
- Inspeção, 8.2 Plano de manutenção, página 125 neste manual de instruções.
- Adaptação ao utilizador segundo a documentação de serviço (disponível junto da representação da *küschall®* do seu país, ® final deste documento).

### 10.3 Eliminar como resíduo

Tenha atenção ao meio ambiente e elimine a sua cadeira de rodas de forma apropriada. Vigoram as disposições legais nacionais e locais que regulam a eliminação de resíduos.

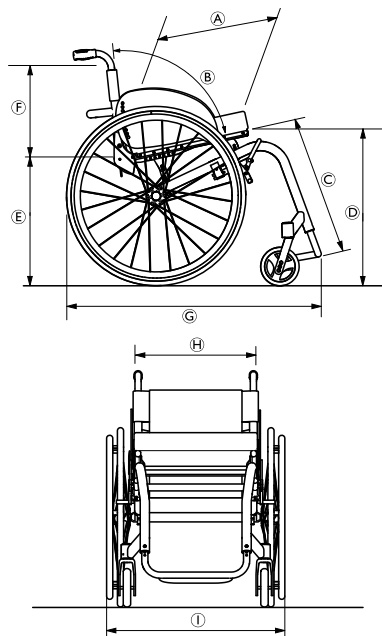


Para a sua eliminação como resíduo, contacte o distribuidor ou solicite informações junto da Câmara Municipal ou Junta de Freguesia acerca de uma empresa local de resíduos.

## 11 CARACTERÍSTICAS TÉCNICAS

### 11.1 Dimensões e peso

Todas as dimensões e especificações de peso dizem respeito a uma largura do assento de 400 mm e a uma profundidade do assento de 400 mm numa configuração padrão da cadeira de rodas. As dimensões e o peso podem ser alterados consoante as diferentes configurações.



Ⓐ	Profundidade do assento	375 – 475 mm, em incrementos de 25 mm
Ⓑ	Ângulo do encosto	74°/78°/82°/86°/90°
Ⓒ	Comprimento da distância do joelho ao calcanhar	400 – 480 mm, em incrementos de 10 mm
Ⓓ	Parte frontal da altura do assento	480 – 510 mm, em incrementos de 10 mm
Ⓔ	Parte traseira da altura do assento	400 – 480 mm, em incrementos de 10 mm
Ⓕ	Altura do encosto	315 – 480 mm, em incrementos de 15 mm
Ⓖ	Comprimento total	75°: aprox. 830 mm 90°: aprox. 760 mm
Ⓗ	Largura do assento	360 – 480 mm, em incrementos de 20 mm
Ⓘ	Largura total	Largura do assento + 170 mm
	Peso total	aprox. 10,3 kg
	Peso de transporte (sem as rodas traseiras)	aprox. 7 kg
	Peso máximo do utilizador	120 kg
	Largura de reversão	920 – 1230 mm

	Centro de gravidade	80 – 140 mm, em incrementos de 15 mm
	Inclinação máxima de segurança	7°

## 11.2 Condições ambientais

Não exponha a cadeira de rodas a temperaturas inferiores a -20 °C ou superiores 40 °C.

## 11.3 Materiais

Os componentes utilizados para fabricar as cadeiras küschall® são constituídos pelos seguintes materiais:

Tubos do chassis/Tubos do encosto	Alumínio/Titânio <sup>1)</sup> /Carbono <sup>1)</sup>
Capa do assento/Capa do encosto	PA/PE/PVC
Punho	Aço/Alumínio/PVC
Guarda lateral/Guarda-lama	Plástico ou Carbono <sup>1)</sup>
Peças de suporte/Acessórios	Aço/Alumínio/Titânio <sup>1)</sup>
Parafusos e pinos	Aço
Rodízios	Alumínio

<sup>1)</sup> As opções Carbono e/ou Titânio não estão disponíveis para todos os modelos da cadeira de rodas küschall®.

Notes

## Küschall ® distributors

### **United Kingdom:**

Invacare Limited  
Pencoed Technology Park, Pencoed  
Bridgend CF35 5AQ  
Tel: (44) (0) 1656 776 222  
Fax: (44) (0) 1656 776 220  
uk@invacare.com  
www.invacare.co.uk

### **Ireland:**

Invacare Ireland Ltd,  
Unit 5 Seatown Business Campus  
Seatown Road, Swords, County Dublin  
Tel : (353) 1 810 7084  
Fax: (353) 1 810 7085  
ireland@invacare.com  
www.invacare.ie

### **Australia:**

Invacare Australia PTY. Ltd.  
1 Lenton Place, North Rocks NSW 2151  
Australia  
Phone: 1800 460 460  
Fax: 1800 814 367  
orders@invacare.com.au  
www.invacare.com.au

### **New Zealand:**

Invacare New Zealand Ltd  
4 Westfield Place, Mt Wellington 1060  
New Zealand  
Phone: 0800 468 222  
Fax: 0800 807 788  
sales@invacare.co.nz  
www.invacare.co.nz

### **Asia:**

Invacare Asia Ltd.  
1 Lenton Place, North Rocks NSW 2151  
Australia  
Phone: (61) (02) 8839 5333  
Fax: (61) (02) 8839 5343  
asiasales@invacare.com  
www.invacare.com



Küschall AG  
Benkenstrasse 260  
CH-4108 Witterswil  
www.kuschall.com

### **España:**

Invacare SA  
c/Areny s/n, Polígon Industrial de Celrà  
E-17460 Celrà (Girona)  
Tel: (34) (0)972 49 32 00  
Fax: (34) (0)972 49 32 20  
contactsp@invacare.com  
www.invacare.es

### **Portugal:**

Invacare Lda  
Rua Estrada Velha, 949  
P-4465-784 Leça do Balio  
Tel: (351) (0)225 1059 46/47  
Fax: (351) (0)225 1057 39  
portugal@invacare.com  
www.invacare.pt

1583571-B 2015-08-28

