

# LEVO compact- easy LCEV

The high performance manual  
wheelchair with power standing  
technology

LEVO compact-easy LCEV



LEVO stands for a better quality of life

**LEVO**.dt<sup>+</sup>  
THE EXPERTS IN STANDING

# At eye level with life

**This is LEVO:** The touch of a switch elevates you to a safe, comfortable standing position to interact with your active life. At work, in school or at home, LEVO standing wheelchairs, offer exactly what you need: Independence, Mobility, Support, Health and Quality.

Each wheelchair is designed from the experience of more than 30 years of research, development and client response.

LEVO is proud to offer wheelchairs that combine seating and standing positions matched to your unique biomechanical dynamics with superior maneuverability, size, weight, aesthetics and adjustability.

All models are reviewed and certified by internationally approved testing institutes.





# LEVO compact-easy LCEV



## Participate in an active life

You are active and want a wheelchair that fits you and enhances your life. The LEVO LCEV is your answer. It combines an active, agile wheelchair and life enriching standing at the touch of a switch. The quiet, reliable actuator smoothly moves you to and through any and all angles from the seated position to a full 86° standing position. Anyplace, anytime have the choice of where you want to be in the joy of an active life with a LEVO LCEV!

### Wheelchair characteristics

- Agile, Active, Compact
- Excellent driving characteristics indoor and outdoor
- Convenient quick release rear wheels, front castors and a folding backrest for easy vehicle transport
- Simple and fast adjustment for individual preferences
- Accessories to build your personalized chair



### Seating and Standing mechanism

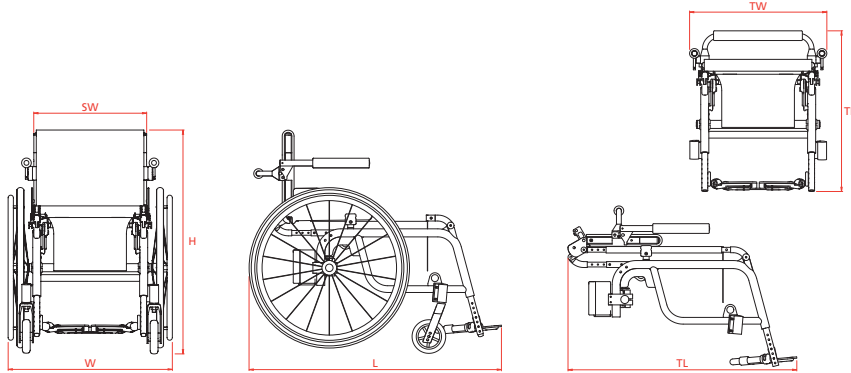
- Electrical standing unit: operated by the touch of a switch, engages powerful actuator
- Different switches available for people with all levels of hand and finger function
- Complete standing position up to 86°
- Sit, Stand – and anywhere in between
- Six ground stability points ensure solid and secure standing position
- Electric actuator standing – smooth, stable, safe
- Optimal and matched body mechanics in all seating and standing positions
- Numerous health benefits because of more frequent standing

Use the LEVO LCEV everywhere, every day

# LEVO Stands for a better quality of life

## Highlights

- Smooth standing and positioning movement
- Compact, maneuverable, light
- Safe and secure stand-up operation elevating to any and all angles between sitting and 86° standing
- Switch activation and switch option for all levels of hand/finger function
- Adjustable for upper and lower leg length, foot position and back height
- Six ground stability points ensure solid and secure standing position
- User weight up to 265 lbs
- Wide range of different options and accessories
- Multiple color option
- Certificates: TÜV, CERAH, HI, FDA/510(k), Crash Test



### Standard configuration

Armrests folding upwards and height and angle adjustable, folding down backrest angle adjustable, battery and charger, chest belt and knee support

### Options/accessories LCEV

Foam seat cushion, Anti-tip rollers, Tip aid, Backrest extension, Push handles, Push handle extension, Swing away chest support, Spinergy wheels, Camber, Spoke guard, V-Trak back, ... many more on request

### Options/accessories Kid & Junior

Growth kit seat width 11.8 to 13.8 in, Growth kit Kid to Junior Height adjustable stroller handle, Attendant control for stand-up operation, Antitip devices, Table tray, Seat cushion, Back rest extension 2.4 to 6.3 in, V-Trak back, Spinergy wheels, ... many more on request

### Colors

5 standard colors (blue, red, yellow, platinum, black) and 190 other color options

## Technical Data

Model	LCEV		Kid & Junior	
	S-M	L-XL	Kid	Junior
Seat width (SW)	13.8/15/15.7/16.5/17.7/18.9/19.7		11.8/13.8	
Total width (W)	20.9/22/22.8/23.6/24.8/26/26.8		19.3/21.3	
Total length (L)	33-35.4	36.6-40.9	27.1-28.3	30-32.7
Total height (incl. Backrest) (H)	31.5		21.6	26
Backrest upholstery height min.	12.2		11	
Seat upholstery height front	19/20.1/21.2/22.4		13	15.7/17.3
Seat upholstery depth	11.4-16.5	17-22.4	9.4-15.7	
Footrest	Height and angle adjustable			
Total weight (w/o detachable parts)	55 (42)	57 (44)	37 (26)	42 (31)
Rear wheels	22"/24"/26"		16"	20"/22"
Batteries	2 Batteries à 12V/2,7 Ah			
Transport dimensions max. (TLxTWxTH)	33x23.6x17.7		24.4 x 17.7 x 17	

Discrepancies in the measurements may arise due to wheelchair modifications. All measurements in inch and pound.