

ALLTRACK **P** SERIES

OWNER'S MANUAL



P³

P



ALLTRACK P Series Power Wheelchair Models

Supplier: This manual must be given to the wheelchair user.

User: Before using this wheelchair, please read this entire manual and save it for future reference.

I. INTRODUCTION

AMYSYSTEMS LISTENS

Thank you for choosing an AmySystems wheelchair. We want to hear your questions or comments about this manual, the safety and reliability of your chair, and the service you receive from your AmySystems supplier. Please feel free to write or call us at the address and telephone number below:

AMYSYSTEMS

Customer Service Department

Canada

3190 F.X. Tessier
 Vaudreuil-Dorion, QC
 J7V 5V5

USA

178 West Service Road
 Champlain, NY, 12919

Phone: 1-888-453-0311
Fax: 1-877-501-8458
 info@amysystems.com
 techsupport@amysystems.com

FOR ANSWERS TO YOUR QUESTIONS

Your authorized supplier knows your wheelchair best, and can answer most of your questions about chair safety, use and maintenance. For future reference, fill in the following:

Supplier:

Sales Person:

Address:

.....

.....

Phone:

Fax:

Serial #:

Date/Purchased:

USER WARNING

⚠ WARNING

Attention wheelchair users do not operate this wheelchair without first reading the owner’s manual. If you do not understand the instructions and warnings of this owner’s manual please contact your dealer or qualified technician before operating this AmySystems wheelchair. Failure to do so may result in damage and/or injury.

DEALER/TECHNICIAN WARNING

⚠ WARNING

Attention dealers and qualified technicians do not operate or service this wheelchair without first reading this owner’s manual. If you do not understand the instructions and warnings of this owner’s manual please contact the AmySystems Technical Service Department before operating and/or servicing this AmySystems wheelchair. Failure to do so may result in damage and/or injury.

⚠ WARNING

In addition, power wheelchairs may contain printed circuit boards. Careful attention should be given to the Printed Circuit Board Handling Techniques insert supplied with the chair.

Related Documents

Listed below are additional documents which are referenced in this owner’s manual.

PG Drives:

- R-Net module user information sheet
- R-Net power module user information sheet
- R-Net intelligent lighting/seating module
- R-Net input output module
- R-Net on-board programming manual
- R-Net Omni technical manual
- VR2 wheelchair control system
- VR2 attendant module
- PP1A programming and diagnostics

II. TABLE OF CONTENTS	
I. INTRODUCTION	2
II. TABLE OF CONTENTS	3
III. YOUR CHAIR AND ITS PARTS	4
IV. NOTICE - READ BEFORE USE	5
V. EMI (ELECTROMAGNETIC INTERFERENCE)	5 - 7
A. What is EMI	6
B. What Effect Can EMI Have	6
C. Sources of EMI	6
D. Distance From the Source	6
E. Immunity Level	6, 7
F. Report All Suspected EMI Incidents	7
G. EMI From Chair	7
VI. GENERAL WARNINGS	7 - 12
A. Notice to User and Attendants	7
B. Weight Limit	8
C. Controller Settings	8
D. EMI	8
E. Safety Checklist	8
F. Changes and Adjustments	9
G. When Seated in a Parked Wheelchair	9
H. Environmental Conditions	9
I. Terrain	9
J. Street Use	9
K. Motor Vehicle Safety	10
L. Center of Balance	10
M. Transfers	10
N. Reaching or Leaning	10, 11
O. Dressing or changing clothes	11
P. Obstacles	11
Q. Driving in Reverse	11
R. Ramps, Slopes & Sidehills	11
S. To Reduce the Risk of Falls, Tip-over, or Loss of Control... ..	11
T. Ramps at Home & Work	12
U. Wheelchair Lifts	12
V. Curbs & Single Steps	12
W. Stairs	12
X. Escalators	12
VII. WARNINGS: COMPONENTS & OPTIONS	12 - 16
A. Armrests	13
B. Batteries	13
C. Cushion & Sling Seats	13
D. Fasteners	13
E. Footrests	13
F. Motor Lock	13
G. On/Off Switch	14
H. Pneumatic Tires	14
I. Positioning Belts	14
J. Push Handles	14
K. Seating Systems	14
L. Upholstery Fabric	14
M. Power Seating	15
N. CG Tilt Power Accessory	15
O. 11" Seat Lift Power Accessory	15
P. Power Recline	15
Q. Power Elevating Legrest Accessory	15
VIII. SET UP, ADJUSTMENT & USE	16 - 19
Notes	16
Tools You Will Need	16
A. Battery Removal	17
B. Swing-Away Footrests	17
C. Elevating Legrests (Optional)	18
D. Center Mount Hanger Adjustment	18
E. Joystick	18
F. To Adjust the depth of the Joystick	18
G. To use the swing away function	18
H. Dual Post height adjustable armrest	19
I. Cantilever & reclining armrest adjustment	19
IX. OPERATING GUIDE	20 - 31
A. Circuit breakers	20
B. Joystick Assembly	20
C. Enhanced Display	20
D. Motors Locks	20
E. Locking or unlocking the joystick	21
F. Display settings for R-NET color models	21
G. Performance Control Settings	22
H. Thermal Roll-Back	22
I. Power Seating Operation through the Joystick	22
J. Power Tilt Operation	23
K. Power seat Lift Operation	24
L. Power Tilt / Seat Lift Combo Operation	25
M. Power Tilt Operation	26
N. Power Recline Operation	27
O. Power Elevating Front Riggings Operation	28, 29
P. Adjustments	29, 30, 31
Q. Troubleshooting Guide for Power Seating	31
X. BATTERIES	32 - 34
A. Introduction	32
B. Battery Charger	32
C. Acid Burns	33
D. Connecting Batteries in Battery Compartment	33
E. Charging Batteries	33
F. Disposing of Batteries	34
XI. MAINTENANCE	34 - 36
A. Notes	34
B. Cleaning	34
C. Storage Tips	34
D. Battery Maintenance	34, 35
E. Pneumatic Tires	35
F. To Repair or Replace a Tire	35
G. How to change casters forks	36
H. Maintenance Chart	36
I. Ordering Parts	36
XII. AmySystems LIMITED WARRANTY	37
1. Limited Warranty	37
2. Replacement Parts Warranty	37
3. Return Policy	37
4. Restocking Fee Policy	37
XII. DISCLAIMER AND WARRANTY	38

III. YOUR AMYSYSTEMS ALLTRACK P SERIES POWER WHEELCHAIR AND ITS PARTS

- 1- Headrest
- 2- Push Handle
- 3- Armrest
- 4- Seat Frame
- 5- Free-wheel Release Lever
- 6- Base Frame
- 7- Drive Wheels
- 8- Caster Fork
- 9- Caster Tire
- 10- Foot Plates
- 11- Seat Pan
- 12- Front Hanger
- 13- Joystick
- 14- Backrest



Base Chair User Weight Limits*

Up to 300 lbs (136 kg)
 *Weight capacity may vary due to options chosen, refer to appropriate order form.

Battery Charger

8 amp off-board
 Optional Lester 8 amp off-board

Drive Wheels

12.5" (310 mm) x 3" (75 mm)
 Optional:
 14" (355 mm) x 3" (75 mm)

Caster Fork

Standard - Fixed

Casters

6" (150 mm) Solid,
 Optional 8" (200 mm) pneumatic
 or 8" (200 mm) Pneumatic with solid inserts

Tire Type

Standard pneumatic
 Optional with solid insert

Seat Lift (Option)

11" (280 mm) elevation
 300 lb (136 kg) user weight capacity

Tilt (Option)

50° CG Tilt
 300 lb (136 kg) capacity

Power Recline (Option)

300 lb (136 kg) capacity
 89° to 158° Range

Battery Sizes

Two deep cycle batteries are required to operate this power wheelchair
 Group 22NF / Group 24

Seat to Floor Height

From 15 1/2" to 20 1/4"
 (390 mm to 515 mm)
 The height may vary due to options chosen, refer to appropriate order form.

Joystick Mount

Standard fixed Joystick (right or left hand mount)
 Optional swing-away mount
 Height Adjustability

Seat Width Range

Adjustable from 10" to 16"
 (255 mm to 405 mm)
 Adjustable from 15" to 20"
 (380 mm to 510 mm)
 Custom width available

Seat Depth Range

Adjustable from 10" to 19"
 (255 mm to 480 mm)
 Custom depth available

Back Cane Height

16" to 26"
 (405 mm to 660 mm)

Contour Backrest

From 10" to 20"
 (255 mm to 510 mm) Wide
 10" to 20"
 (255 mm to 510 mm) High
 (Even numbers only)

Back Angle

86° to 122° in 4° increments

Armrests

Standard Cantilever
 Optional Dual Post
 Optional Reclining
 Flip-Back and height-adjustable

Footrest

Standard Swing-away Footrests
 Heavy-Duty Footrests
 Manual Elevating & Articulating Legrests
 Power Elevating & Articulating Legrests
 Angle Adjustable from 60°, 70°, 80° or 90°
 Angle-adjustable footplates
 Heel loops
 Calf Pads
 Adjustable leg length

Center Mounts

Solid one-piece Foot Platform
 Angle adjustable Split Footplates
 Power Elevating & Articulating Footboard
 Calf Pads
 Adjustable Leg Length

NOTE - All features may not be available with some chair setups or in conjunction with another chair feature. Please consult your supplier for more information. Your authorized supplier can also provide you with more information on accessories.

IV. NOTICE BEFORE USE

A. CHOOSE THE RIGHT CHAIR & SAFETY OPTIONS

AmySystems provides a choice of many power wheelchair styles, sizes and adjustments to meet the needs of the user. However, final selection of a wheelchair rests solely with you and your health care professional. Choosing the best chair for you depends on such things as:

1. Your size, disability, strength, balance coordination.
2. Your intended use and your level of activity.
3. The types of hazards you must overcome in daily use (in areas where you are likely to use your chair).
4. The need for options for your safety and comfort (such as positioning belts or specialty seating systems).

B. ADJUST CHAIR TO YOUR ABILITY


You need to work with your doctor, nurse or therapist, and your supplier, to fit this chair and adjust the controller settings for your level of function and ability.

C. REVIEW THIS MANUAL OFTEN

Before using this chair, you and each person who may assist you, should read this entire Manual and make sure to follow all instructions. Review the warnings often, until they are second nature to you.

D. WARNINGS

The word “**WARNING**” refers to a hazard or unsafe practice that may cause severe injury or death to you or to other persons. The “**Warnings**” are in four main sections, as follows:

1.  **V - EMI** Here you will learn about electromagnetic interference and how it can affect your chair.

VI - GENERAL WARNINGS Here you will find a safety checklist and a summary of risks you need to be aware of before you ride this chair.


VII - WARNINGS — COMPONENTS & OPTIONS Here you will learn about your chair. Consult your supplier and your health care professional to help you choose the best set-up and options for your safety.

XI - BATTERIES Here you will learn about battery and charger safety, and how to avoid injury.


NOTE - Where they apply, you will also find “Warnings” in other sections of this Manual.

Throughout this owner’s manual and on the wheelchair you will see the icons listed below to identify warnings and potential hazards. It is important to read all of them and understand them.

WARNING


 These warnings must be followed, failure to do so may cause personal injury or may damage the wheelchair.

PROHIBITED!

 Prohibited actions must never be performed. Performing an action that is prohibited can cause personal injury or may damage the wheelchair.

NOTE - Notes are informative statements to help further explain actions, warnings or product detail.

ESD

 Electrostatic Discharge has a potential to damage printed circuit boards unless handled correctly. When the **ESD** symbol is shown throughout the owner’s manual, use the Proper Handling Techniques insert supplied with the chair to properly handle this situation.

E. CAUTION

Federal law restricts this device to sale by or on the order of a practitioner licensed by the law of the State in which he/she practices.

V. EMI

(ELECTROMAGNETIC INTERFERENCE)

WARNING

Read all warnings to reduce the risk of unintended brake release or chair movement:

1. Beware of the danger from hand-held transceivers. Never turn on or use a hand-held transceiver while power to your chair is on. Use extra care if you believe that such a device may be in use near your chair.
2. Be aware of nearby radio or TV stations, and avoid coming close to them.
3. If unintended movement occurs, turn your chair off as soon as it is safe to do so.

⚠ WARNING

A. WHAT IS EMI?

1. EMI means: electromagnetic (EM) interference (I). EMI comes from radio wave sources such as radio transmitters and transceivers. (A “transceiver” is a device that both sends and receives radio wave signals).
2. There are a number of sources of intense EMI in your daily environment. Some of these are obvious and easy to avoid. Others are not, and you may not be able to avoid them.
3. Powered wheelchairs may be susceptible to electromagnetic interference (EMI) emitted from sources such as radio stations, TV stations, amateur radio (HAM) transmitters, two way radios, and cellular phones.
4. EMI can also be produced by conducted sources or electrostatic discharge (ESD).

⚠ WARNING

B. WHAT EFFECT CAN EMI HAVE?

1. **EMI can cause your chair, without warning, to:**
 - Release its brakes
 - Move by itself
 - Move in unintended directions

If any of these occurs, it could result in severe injury to you or others.
2. **EMI can damage the control system of your chair.** This could create a safety hazard, and lead to costly repairs.

⚠ WARNING

C. SOURCES OF EMI

The sources of **EMI** fall into three broad types:

1. Hand-Held Transceivers:

The antenna is usually mounted directly on the unit. These include:

- Citizens band (CB) radios
- “Walkie-talkies”
- Security, fire and police radios
- Cellular phones
- Laptop computers with phone or fax
- Other personal communication devices

2. Medium-Range Mobile Transceivers:

NOTE: *These devices can transmit signals while they are on, even if they are not in use.*

These include two-way radios used in police cars, fire trucks, ambulances and taxi cabs. The antenna is usually mounted on the outside of the vehicle.

3. Long-Range Transceivers:

These include commercial radio and TV broadcast antenna towers and amateur (HAM) radios.

NOTE - The following are not likely to cause EMI problems:
Laptop computers (without phone or fax),

Cordless phones, TV sets or AM/FM radios, CD or tape players.

⚠ WARNING

D. DISTANCE FROM THE SOURCE

EM energy rapidly becomes more intense as you get closer to the source. For this reason, EMI from hand-held devices is of special concern. (See C.1 above) A person using one of these devices can bring high levels of EM energy very close to your chair without you knowing it.

⚠ WARNING

E. IMMUNITY LEVEL

1. The level of EM is measured in volts per meter (V/m). Every power wheelchair can resist EMI up to a certain level. This is called its “immunity level”.
2. The higher the immunity level, the less the risk of EMI. It is believed that a 20 V/m immunity level will protect the power wheelchair user from the more common sources of radio waves.
3. The configuration tested was found to be immune to at least 20 V/m is: AmySystems Alltrack power wheelchair with a right- hand mounted P & G remote joystick system, 18” (460 mm) seat width, 18” (460 mm) seat depth, dual post height adjustable armrests, fixed tapered legrests with one piece solid footplate, and Group 24 gel cell batteries.
4. The following specialty input devices have an unknown effect on the immunity level because they have not been tested with the AmySystems Alltrack and PG Drives control system:

Drives control system:

- Breath Control
- Proximity Head Array
- Proportional Head Control
- Tri-Switch Head Array
- Proportional Mini-Joystick
- Chin Control
- Heavy Duty Switched Joystick
- Buddy Button
- Soft Switch
- Micro Light Disc Switch
- Ribbon Switch
- Wobble Switch

⚠ WARNING

Individuals with physical limitations requiring the use of a specialty control input device known not to be immune to 20V/m, should exercise extra care around known sources of EMI.

⚠ WARNING

There is no way to know the effect on EMI if you add accessories or modify this chair. Any change to your chair may increase the risk of EMI. Parts not specifically tested or parts from other suppliers have unknown EMI properties.

⚠ WARNING

F. REPORT ALL SUSPECTED EMI INCIDENTS

You should promptly report any unintended movement or brake release. Be sure to indicate whether there was a radio wave source near your chair at the time.

Contact: AmySystems’s Customer Service Department at (888) 453-0311

⚠ WARNING

G. EMI FROM CHAIR

Electromagnetic field emitted by electronics component included in this power wheelchair may interfere with other electronic devices emitting similar field, such as shopping mall alarm systems.

VI. GENERAL WARNINGS

⚠ WARNING

Read all warnings in this section. If you fail to do so, a fall, tip-over or loss of control may occur and cause severe injury to you or others.

A. NOTICE TO USER AND ATTENDANTS

⚠ WARNING

USER

1. Before using this chair, you should be trained in its safe use by your health care professional.
2. Every wheelchair is different. Take the time to learn the feel of this chair before you begin riding.
3. Be aware that you must develop your own methods for the safe use of this chair, which are best suited to your level of function and ability.
4. Have someone help you practice bending, reaching and transfers until you learn how to do them safely.
5. Never try a new maneuver on your own unless you are sure it is safe.
6. Get to know the areas where you plan to use your chair. Look for hazards and learn how to avoid them.
7. Always wear a positioning strap.
8. Do not use a wheelchair if the joystick does not spring back to the neutral position.
9. Do not use your wheelchair if the joystick boot is ripped or damaged.
10. Do not try to tip a wheelchair without an attendant present.

⚠ WARNING

USER AND ATTENDANTS

1. When transferring the user in or out of the wheelchair, never use the footplate as a platform.
2. Do not lift the wheelchair by any parts that are removable: doing so may result in damage to the wheelchair or injury to the user.
3. Never try to stop or slow this wheelchair with the wheel locks (if applicable). Wheel locks are designed to prevent the chair from moving when stopped. They are not brakes.

4. Always keep your hands and body parts clear of moving parts to help prevent injuries.

⚠ WARNING

- ATTENDANTS

Make sure you read all warnings and follow all instructions in each section of this manual. Be aware that warnings that apply to the user also apply to you.

1. Do not stand or sit on any portion of the wheelchair.
2. You need to work with the user, and the user's doctor, nurse or therapist, to develop safe methods best suited to your abilities and those of the user.
3. To manually push the chair you must release the motor locks.
 - Do not engage or disengage motor locks unless power to the chair is off. In addition, make sure both free wheel levers are completely engaged before turning the power on to ensure the wheelchair can be driven in a straight forward motion.
 - Make sure you have full control over the chair when you release the motor locks. When you do so the chair will not have brakes.
 - Make sure the chair is on level ground before you release the motor locks.

NOTE - To release the wheel locks the wheel chair may need to be rocked back and forth slightly several times before the lock will release.

4. Propel this chair by the push handles only. They provide secure points for you to hold onto the rear of the chair to prevent a fall or tip-over.
 - Check to make sure push handle grips will not rotate or slip off.

⚠ WARNING

B. WEIGHT LIMIT

1. The user plus items carried should never exceed the total weight capacity identified on your chair.
2. Never use this chair for weight training if the total weight (user plus additional weights) exceeds weight capacity.
3. Exceeding the weight limit is likely to damage the seat, frame, or fasteners, and may cause severe injury to you or others from chair failure.
4. Exceeding the weight limit will void the warranty.

⚠ WARNING

C. CONTROLLER SETTINGS

Be aware that you may need to adjust the controller settings of your chair.

1. Check and adjust the settings every six to twelve months.
2. Consult your supplier to adjust the control settings immediately if you notice any change in your ability to:
 - Control the joystick
 - Hold your torso erect
 - Avoid running into objects.

⚠ WARNING

D. EMI

Read Section V to learn about EMI. To reduce the risk of unintended brake release or chair movement:

1. Never turn on or use a hand-held transceiver while power to your chair is on. Use extra care if you believe that such a device may be in use near your chair.
2. Be aware of nearby radio or TV stations, and avoid coming close to them.
3. If unintended movement or brake release occurs, turn your chair off as soon as it is safe.

⚠ WARNING

E. SAFETY CHECK-LIST

Before each use of this chair:

1. Make sure the chair operates smoothly. Check for noise, vibration, or a change in ease of use. (These may indicate low tire pressure, loose fasteners, or damage to your chair).
 - If you detect a problem, make sure to repair or adjust the chair. Your supplier can help you find and correct the problem.
2. Make sure batteries are charged. Green lights on charge indicator will light up when charge is full. Yellow lights indicate battery charge level is getting low. Red lights indicate batteries are in immediate need of charging.
3. When not in use, keep your chair in a clean, dry place.

⊘ PROHIBITED

F. CHANGES & ADJUSTMENTS

Never use non-AmySystems parts to replace AmySystems provided parts or make changes to your chair unless authorized by AmySystems. (Doing so will void the warranty and may create a safety hazard.)

⚠ WARNING

Accessories designed by manufacturers other than AmySystems are not available through AmySystems. The order process has not been tested or approved for use by AmySystems.

1. If you modify or adjust this chair it may increase the risk of a fall or tip-over.
2. Modifications unauthorized by AmySystems constitute remanufacturing of the wheelchair. This voids the warranty. The user then assumes all future liability for the wheelchair.

⚠ WARNING

G. WHEN SEATED IN A PARKED WHEELCHAIR

1. Always turn off all power to your chair when you are parked, even for a moment. This will prevent:
 - Accidental movement from contact with the joystick by you or others.
 - Unintended brake release or movement from EMI sources. (See Section V)
2. Make sure that persons who help you (for example, store clerks) are aware of the joystick and do not touch it. If they do, your chair may move suddenly when you do not expect it.

⚠ WARNING

H. ENVIRONMENTAL CONDITIONS

Your chair is not designed for use in a heavy rain storm, or in snowy or icy conditions.

1. Contact with water or excessive moisture can cause an electrical malfunction. The frame, motors and other chair parts are not water-tight and may rust or corrode from the inside.

To avoid a chair failure:

- Minimize exposure of your chair to rain or very wet conditions.
- Never take your chair into a shower, tub, pool or sauna.

- Do not use your chair in fresh or salt water (such as at the edge of a stream, lake, or ocean).
- Make sure the battery post covers are secured.
- Replace joystick boot if it becomes torn or cracked.
- Make sure all electrical connections are secure.
- Dry the chair as soon as you can if it gets wet, or if you use water to clean it.

2. Proceed slowly and use extra care if you must operate your chair on a wet or slick surface.

- When in doubt, have someone help you.
- Do so only if you are sure it is safe.
- Stop if one or both main wheels lose traction. If this occurs, you may lose control of your chair or fall.
- Never operate your chair on a slope or ramp if there is snow, ice, water or an oil film present.

⚠ WARNING

Extra caution should be used when employing the disc switch or the proximity head array as control devices. These two devices are susceptible to malfunction when wet.

⚠ WARNING

I. TERRAIN

1. This chair will perform at optimum on firm, even surfaces such as concrete, asphalt and indoor flooring.
2. Although equipped with suspension, the performance can be substantially reduced on uneven surfaces and rough terrain.
3. Do not operate the chair on sand, loose gravel or soil. Doing so may damage wheels, bearings, axles, motors or loosen fasteners.

⚠ WARNING

J. STREET USE

In most states, power wheelchairs are not legal for use on public roads. Be alert to the danger of motor vehicles on roads or in parking lots.

1. Do not operate this wheelchair on any roads that do not allow non-motor vehicle traffic.
2. When visibility is limited by either darkness or weather conditions, do not operate the chair on any roadways.
3. It may be hard for drivers to see you. Make eye contact with drivers before you proceed. When in doubt, yield until you are sure it is safe.

⚠ WARNING

K. MOTOR VEHICLE SAFETY/TRANSIT USE

Your chair has been manufactured with built-in Transport Brackets.

The standard transport brackets have not been crash-tested in accordance with WC-19. Use these transport brackets only to secure an unoccupied wheelchair during transport

1. NEVER let anyone sit in the wheelchair while in a moving vehicle.
2. NEVER transport the wheelchair in the front seat of a vehicle. It may shift and interfere with the driver
3. ALWAYS secure the wheelchair so that it cannot roll or shift.
4. Do not use any wheelchair that has been involved in a motor vehicle accident
5. Information concerning approved WC-19 tie down systems. Please consult available WC-19 manual

⚠ WARNING

L. CENTER OF BALANCE

The point where this chair will tip forward, back, or to the side depends on its center of balance and stability. The Center of gravity is affected by:

1. The seat height and seat angle.
2. A change in your body position, posture or weight distribution.
3. Using this chair on a ramp or slope.
4. The use of a back pack or other options, and the amount of added weight.
5. Drive wheel positioning.

To Reduce The Risk Of A Fall Or Tip-Over:

Whenever a condition exists that may change the center of balance, reduce speed, proceed cautiously, and when in doubt, always have someone help you.

⚠ WARNING

M. TRANSFERS

It is dangerous to transfer on your own. It requires good balance and agility. Be aware that there is a point during every transfer when the wheelchair seat is not below you. To prevent a fall:

1. Always turn off power before you transfer to or from your chair. If you fail to do so you may touch the joystick and cause your chair to move when you do not expect it.

2. Make sure motor locks are engaged. This keeps the chair from moving when you transfer.
3. Work with your health care professional to learn safe methods.
 - Learn how to position your body and how to support yourself during a transfer.
 - Have someone help you until you are sure you can do a safe transfer on your own.
4. Move your chair as close as you can to the seat you are transferring to. If possible, use a transfer board.
5. Rotate the front casters until they are as far forward as possible.
6. Be careful of the footrests. If you can, remove or swing them out of the way.
 - Never stand on footrests when you transfer. Doing so may damage them or cause your chair to tip.
 - Make sure your feet do not “hang up” or get caught in the space between the footrests.
7. Make sure armrests do not interfere.
8. Transfer as far back onto the seat surface as you can. This will reduce the risk that you will miss the seat or fall.

⚠ WARNING

N. REACHING OR LEANING

Reaching or leaning affects the center of balance of your chair. If done improperly, a fall or tip-over is likely. When in doubt, ask for help or use a device to extend your reach.

To Reduce the Risk of injury and/or Damage to the Chair:

1. Never reach or lean if you must shift your weight sideways or rise up off the seat.
2. Never reach or lean if you must move forward in your seat to do so. Always keep your buttocks in contact with the backrest.
3. Never reach with both hands (you may not be able to catch yourself to prevent a fall if you lose your balance).
4. Never try to pick up an object from the floor by reaching down between your knees.
5. Never put pressure on the footrests while reaching.
6. Never reach or lean over the top of the seat back. This may damage the backrest and cause you to fall.

IF YOU MUST REACH OR LEAN, DO SO AT YOUR OWN RISK.

Remember to:

1. Move your chair as close as you can to the object you wish to reach.
2. Rotate the front casters until they are as far forward as possible. This makes the chair more stable.

NOTE - *To do this: Move your chair past the object you want to reach then back up alongside it. Backing up will rotate the casters forward.*

3. Turn off all power to your chair. If you fail to do so, you may touch the joystick and cause your chair to move when you do not expect it.

⚠ WARNING

O. DRESSING OR CHANGING CLOTHES

Be aware that your weight will shift if you dress or change clothes while seated in this chair. To make the chair more stable, rotate the front casters until they are forward.

⚠ WARNING

P. OBSTACLES

Obstacles you may have to overcome in daily use include door thresholds, lifts, ramps and hazards such as potholes and broken pavement. These can damage your chair and may cause a fall, tip-over or loss of control.

1. Be aware that thresholds are very dangerous. (Even a small change in height may stop a caster wheel and cause your chair to tip). You may need to:
 - Remove or cover threshold strips between rooms.
 - Install a ramp at entry or exit doors.
2. Keep your eyes moving when you ride; scan the area well ahead of your chair.
3. Make sure the floor areas where you use this chair are level and free of obstacles.

⚠ WARNING

Q. DRIVING IN REVERSE

Use extra care when you drive your chair in reverse. You may lose control or fall if one of the rear wheels hits an object.

1. Operate your chair slowly and at an even speed.
2. Stop often and check to make sure your path is clear of obstacles.

⚠ WARNING

R. RAMPS, SLOPES & SIDEHILLS

The center of balance of your chair changes when you are on a slope.

NOTE - *“Slope” includes a ramp or side hill. Your chair is less stable when it is at an angle. Never use this chair on a slope unless you are sure it is safe. When in doubt, have someone help you.*

Beware Of:

1. Steep slopes. Do not use this chair on a slope steeper than 10%. (A 10% slope means: One foot in elevation for every ten feet of slope length).
2. Wet or slippery surfaces (such as when ice, snow, water or oil film is present). A loss of traction may cause a fall or tip-over.
3. A change in grade on a slope (or a lip, bump or depression). These may cause a fall or tip-over.
4. A drop-off at the bottom of a slope. (A drop-off of as small as 3/4" (20 mm) can stop a front caster and cause the chair to tip forward).

⚠ WARNING

S. TO REDUCE THE RISK OF A FALL,

TIP-OVER OR LOSS OF CONTROL:

1. Never use your chair on a slope unless you are sure you can do so without losing traction.
2. Always go as straight up and as straight down as you can.
 - Do not “cut the corner” on a slope or ramp.
 - Do not turn or change direction on a slope.
3. Always stay in the center of the ramp. Make sure ramp is wide enough that you are not at risk that a wheel may roll off the side.
4. Keep your chair moving at a slow, steady speed. Keep control over the chair at all times.
 - On a descent, do not let your chair accelerate beyond its normal speed.
 - If the chair picks up speed, center the joystick to slow down or stop.

NOTE - *The solid state controller of your chair has a logic system that will help control your speed when driving on a slope or uphill.*

- Should you require to stop in a slope, please re-start slowly.

⚠ WARNING

T. RAMPS AT HOME & WORK

Before driving on a ramp, survey the condition of the ramp. On slippery ramps traction may be reduced causing your wheelchair to slide.

⚠ WARNING

Make sure ramps meet all Building Codes for your area.

1. For your safety, have a licensed contractor build or remodel ramp to meet all standards.

NOTE - *The proper design will vary, depending on such things as: the length and height of the ramp; the need for an intermediate platform; landing size; doors, and the direction of swing, and; whether the ramp includes a turn or angle.*

At A Minimum:

1. Open sides of ramp must have side rails to prevent your chair from going over the edge.
2. Slope must not be steeper than one inch in height for every one foot of slope length (approximately 10°).
3. Ramp surface must be even, and have a non-skid surface.
4. You may need to add a section at the top or bottom to avoid a lip or drop-off.
5. Ramp must be sturdy. Add bracing if needed, so ramp does not “bow ” when you ride on it.

⚠ WARNING

U. WHEELCHAIR LIFTS

Wheelchair lifts are used in vans, buses, and buildings to help you move from one level to another.

1. Always turn off all power to your chair when you are on a lift. If you fail to do so, you may touch the joystick by accident and cause your chair to drive off the platform. (Be aware that a “roll-stop” at the end of the platform may not prevent this).
2. Make sure there is not a lip or drop-off at the top or bottom of the platform. These may cause a fall or tip-over. When in doubt, have someone help you.
3. Always position the user securely in the chair to help prevent falls while on a lift.
4. Avoid moving forward if a wheel is “hung up” on the lip of the ramp. Backup, reposition the caster for a more direct approach. And slowly try again.

⚠ WARNING

V. CURBS & SINGLE STEPS

1. It is recommended to climb and/or descend a curb, single step, or other obstacle that a ramp or curb cut out is always used.
2. If you must climb or descend a curb, single step, or other obstacle that is greater than 2 1/2” (65 mm), it is recommended to have a person assist you in doing so.
3. In no case should you try to climb a curb, single step, or other obstacle greater than 4” (100 mm) high.
4. If you must climb or descend a curb or step alone do so at your own risk using extreme care and follow the following procedure:
 - Proceed slowly, at a steady speed
 - Go as straight up or down as you can over the obstacle. Never turn when trying to climb or descend and obstacle, doing so may result in a fall or tip-over.
5. **Failure to follow the above procedures may cause:**
 - A Fall or Tip Over
 - Damage to the frame, wheels, axles or other parts, or loose fasteners.

⊘ PROHIBITED!

W. STAIRS

Never use this chair to go up or down stairs, even with an attendant. Doing so is likely to cause a fall or tip-over.

⊘ PROHIBITED!

X. ESCALATORS

Never take this chair on an escalator, even with an attendant. Doing so is likely to cause a fall or tip-over.

VII. WARNINGS:

COMPONENTS & OPTIONS

⚠ WARNING

NOTE - *If you use parts or make changes not authorized by AmySystems it may create a safety hazard and will void the Warranty.*

⚠ WARNING

A. ARMRESTS

Armrests will not bear the weight of this chair.

🚫 PROHIBITED!

Never lift this chair by its armrests. They may come loose or break.

⚠ WARNING

B. BATTERIES

Always wear rubber gloves and safety glasses when you handle batteries.

🚫 PROHIBITED!

Never smoke or hold an open flame near batteries. They are a known explosion hazard.

⚠ WARNING

1. Only deep cycle sealed case construction batteries should be used in this device.
2. To prevent an acid spill, always keep batteries upright (wet cell batteries).
3. Read all of section X. Batteries before attempting to change, or charge batteries.

⚠ WARNING

C. CUSHIONS & SLING SEATS

1. Standard foam cushions and other body supports are not designed for the relief of pressure.
2. If you suffer from pressure sores, or if you are at risk that they will occur, you may need a special seat system or a device to control your posture.
3. Consult your doctor, nurse or therapist to find out if you need such a device for your well-being.

⚠ WARNING

D. FASTENERS

Many of the screws, bolts and nuts on this chair are special high-strength fasteners. Use of improper fasteners may cause your chair to fail.

1. Only use fasteners provided by AmySystems.
2. If fasteners become loose, tighten them immediately.
3. Over- or under-tightened fasteners may fail or cause damage to chair parts.

4. See Section VIII, "Set-Up, Adjustment & Use", for proper torque settings.

⚠ WARNING

E. FOOTRESTS

1. At the lowest point, footrests should be at least 1 1/4" (32mm) off the ground. If set too LOW, they may "hang up" on obstacles you can expect to find in normal use. This may cause the chair to stop suddenly and tip forward.
2. **To avoid a trip or fall when you transfer:**
 - Make sure your feet do not "hang up" or get caught in the space between the footrests.
 - Avoid putting weight on the footrests, as the chair may tip forward.
 - Remove or swing the footrests out of the way, if possible.
3. The footrest should always be in the down position when operating the chair.

🚫 PROHIBITED!

Never lift this chair by the footrests. Footrests detach and will not bear the weight of this chair. Lift this chair only by non-detachable parts of the main frame.

⚠ WARNING

F. MOTOR LOCKS

1. Do not engage or disengage motor locks unless power to the chair is off. In addition, make sure both free wheel levers are completely pushed in before turning the power on to ensure the wheelchair can be driven in a straight forward motion.
2. Be aware that the chair will not have brakes when motor locks are in the free-wheel position.
3. Make sure that the person pushing the chair has full control when motor locks are disengaged.
4. Make sure that the chair is on level ground when motor locks are disengaged.

NOTE - To release the wheel locks the wheel chair may need to be rocked back and forth slightly several times before the lock will release.

⚠ WARNING

G. ON/OFF SWITCH

1. Never use the ON/OFF switch to stop the chair except in an emergency. This will result in an abrupt stop, and may cause you to fall.
2. To slow your chair to a stop, return the joystick to neutral.

⚠ WARNING

H. PNEUMATIC TIRES

Proper inflation extends the life of your tires and makes your chair easier to use.

1. Do not use this chair if any of the tires are under- or over-inflated. Check weekly for proper inflation level, as listed on the tire sidewall.
2. Low pressure in a tire may cause the chair to veer to one side and result in a loss of control.
3. An over-inflated tire may burst.
4. Never use a gas station air pump to inflate a tire. Such pumps provide air at high volume, and could cause the tire to burst. To prevent tire damage:
 - Use a hand pump (or low volume air pump) to inflate tires.
 - Use a tire gauge to check pressure.
5. Driving over sharp objects may cause damage to pneumatic tires and tubes.

⚠ WARNING

I. POSITIONING BELTS

Use a positioning belt only to help support your posture. Improper use of such belts may cause severe injury or death.

1. Make sure you are not at risk to slide down in the wheelchair seat. If this occurs, you may suffer chest compression or suffocate due to pressure from the belt.
2. A pelvic wedge or a similar device can help keep you from sliding down in the seat. Consult your health care professional to find out if you need such a device.
3. The belt must be snug, but must not be so tight that it interferes with breathing. You should be able to slide your open hand, flat, between the belt and your stomach.
4. Make sure you can easily remove the belt in an emergency.

🚫 PROHIBITED!

Never use a positioning belt:

- In place of a motor vehicle seat belt. In an accident or sudden stop you may be thrown from the chair. A positioning belt will not prevent this, and further injury may result from the belt.
- As a restraint. A restraint requires a doctor's order.
- On a user who is comatose or agitated.

⚠ WARNING

J. PUSH HANDLES

1. Push handles provide secure points for an attendant to propel and control the chair. This helps to prevent a fall or tip-over.
2. Check to make sure push handle grips will not rotate or slip off.

⚠ WARNING

K. SEATING SYSTEMS

1. Use of a seating system not approved by AmySystems may alter the center of balance of this chair. This may cause a fall or tip-over.
2. Never change the seating system of your chair unless you consult your supplier first.
3. Never raise your seating system to a height of more than 22" (560 mm) (measuring from the front of the seat pan to the floor).

⚠ WARNING

L. UPHOLSTERY FABRIC

1. Replace worn or torn fabric of seat sling and seat back as soon as you can. If you fail to do so, the seat may fail and cause you to fall. Worn fabrics may increase the potential for a fire hazard.
2. Sling fabric will deteriorate with age and use. Look for fraying, thin spots, or stretching of fabric at rivet holes. Replace fabric as required.
3. Be aware that washing may reduce flame retardation of the fabric.

⚠ WARNING

M. POWER SEATING

1. **Operation:**

- While driving the wheelchair in the reclined, elevated, or tilted position, use caution.
- Do Not attempt to operate any power seating option while positioned on an incline.
- Do Not attempt to operate any power seating option while the wheelchair is in motion.
- Do not attempt to operate the lift or tilt power seating options around children.
- Through programming, it is possible to reverse the direction of all powered seating functions, ensure you know which direction your seat is going to move before operating.

2. **Reduced Speed Driving (Creep):**

This power chair is designed to automatically reduce the maximum driving speed to a creep mode when it is equipped with a seat lift. Creep mode is activated when it has reached a maximum limit of 3" (75 mm) of seat elevation.

3. **Pinch points:**

Pinch points may occur when operating the powered seating options on this chair. Ensure all hands and body parts are clear of all power seating components that may result in pinch points before operating them.

4. **Tilting Power Base with Push Handles:**

Do not attempt to tilt power wheelchairs by pulling down on the push handles. Power wheelchairs have heavy bases. As such, attempting to tilt a power wheelchair to traverse obstacles can damage components in the seating system and/or modular actuators.

5. **Remain Clear During Power Accessory Operation:**

Please stay clear of any powered actuator while the component is in motion. AmySystems power mechanisms move over large ranges of travel. Users should be aware of their surroundings while components are in motion.

6. **Maximum User Weight:**

Do not exceed the weight capacity for your specific chair/seating system configuration. Doing so could result in premature failure or injury, and could void the warranty of your wheelchair.

7. **Latch Mode:**

While operating any power seating function in latched mode use caution. In latch mode, powered seating will not stop until a reverse command is performed, the end of travel is met, or latch times out.

⚠ WARNING

N. CG TILT POWER ACCESSORY

NOTE - (Pinch Point) - Avoid putting hands or fingers near the power tilt mechanism while in operation.

The powered CG Tilt accessory for this chair has a maximum user weight capacity range from 300 lbs (136 kg) depending on the chair configuration. Never exceed the specified capacity while operating the powered actuator.

⚠ WARNING

O. 11" SEAT LIFT POWER ACCESSORY

NOTE - (Pinch Point) - Avoid putting hands or fingers near the power seat lift mechanism while in operation.

The powered lift modular accessory for this chair has a maximum user weight capacity of up to 300 lbs (136 kg) depending on your chair configuration. Never exceed this capacity while operating the powered actuator.

⚠ WARNING

P. POWER RECLINE

NOTE - (Pinch Point) - Avoid putting hands or fingers near the power recline mechanism while in operation.

The maximum user weight capacity for the power recline is from 300 lbs (136 kg) depending on the chair configuration. Exceeding this weight capacity could lead to injury and/or permanent damage to the equipment.

⚠ WARNING

Q. POWER ELEVATING FOOT PLATFORM ACCESSORY

NOTE - (Pinch Point) - Avoid putting hands or fingers near the power elevating legrests or center mount mechanism while in operation.

The power legrest accessory for the Alltrack P has a maximum user weight capacity of up to 300 lbs (136 kg) depending on your chair configuration. Never exceed this capacity while operating the powered actuator.

VIII. SET-UP

- ADJUSTMENT AND USE

NOTES:

1. Work Surface for Set-Up:

Use a flat surface, such as a table, to assemble, adjust and check your chair. This makes the steps easier and helps ensure a correct set-up.

2. Fasteners:

- Many of the screws and bolts on this chair are special high-strength fasteners and may have special coatings.
- Many nuts are of the Nylon Insert Lock Nut type. They have a plastic insert to help prevent loosening.
- Only use screws, bolts and nuts provided by AmySystems.

WARNING

1. Use of improper fasteners may cause the chair to fail.
2. Over- or under-tightened fasteners may fail or cause damage to chair parts.
3. If bolts or screws become loose, tighten them as soon as you can. Loose bolts or screws can cause damage to other chair parts causing them to fail.
4. Washers & Spacers:
 - Note the position of washers and spacers before disassembly.
 - To avoid damage to the frame, replace all washers and spacers when you reassemble parts.

- TOOLS YOU WILL NEED

1. Basic Tool Kit:

To set-up, adjust and maintain your chair you may need the following tools:

- Phillips screw driver
- Metric wrenches from 10mm to 13mm
- Metric Allen wrenches from 3mm to 6mm
- Imperial wrenches from 1/4" to 9/16"
- Imperial Allen wrenches from 5/64" to 1/4"
- Imperial socket from 7/16" to 3/4"
- Ratchet

NOTE - These tools can be found in common hardware stores.

2. Torque Wrench:

If you plan to adjust and maintain this chair yourself, AmySystems recommends that you use a torque wrench.

NOTE - The wrench must measure inch-pound or N-m. You can buy a torque wrench and proper sockets from a hardware store.

A. BATTERY REMOVAL (fig. 1-2)

To remove the batteries for transporting or servicing:

Remove Batteries: (fig. 1-2)

- a - Push tabs together towards the center to release the door (A).
- b - Drop the panel (B)
- c - Carefully pull battery pack until cable connection is accessible
- d - Disconnect and pull battery pack to full deployment to remove it.
- e - Lift the battery from the compartment using the battery carrying straps.
- f - Repeat operation in reversed steps to put the batteries back in.

⚠ WARNING

Batteries may weigh up to 55 lbs. (25 kg) each. Care must be taken to avoid injury when lifting.



B. SWING-AWAY FOOTRESTS (fig. 3-4)

1. Installation: (fig. 3)

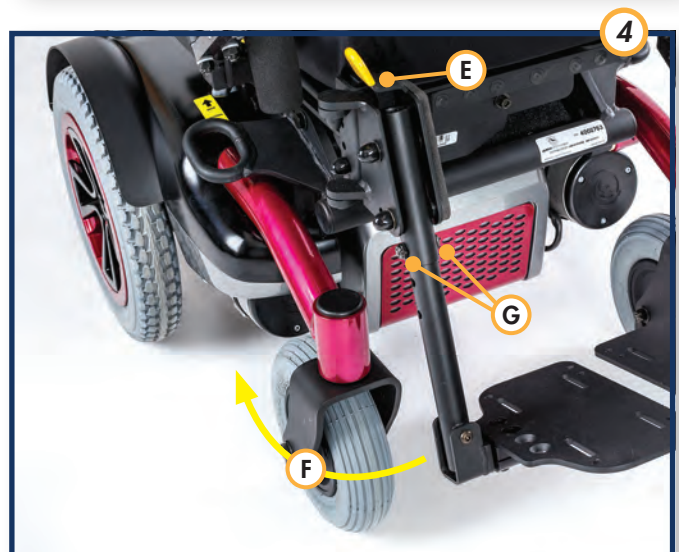
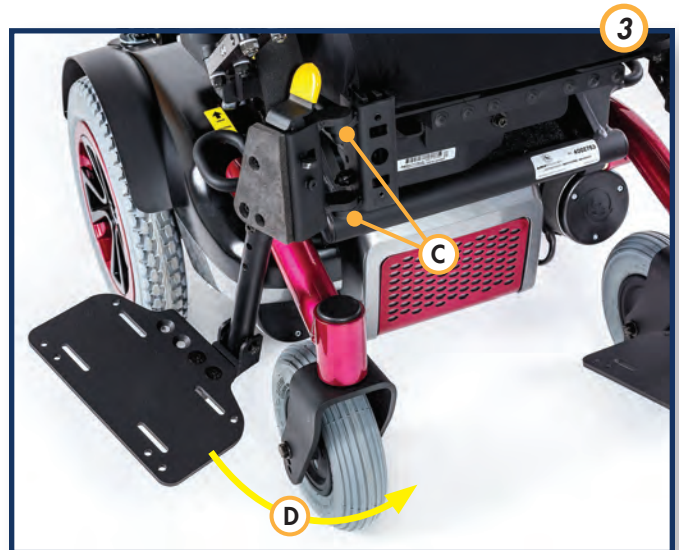
- a - Place swing-away pivot pin (C) into the locating hole on top of the hanger mount with the footrest facing outward from frame.
- b - Rotate the footrest inward until latch plate locks (D) into place.

2. Removal: (FIG. 4)

- a - To remove footrest, press quick-release lever (E).
- b - Rotate footrest outward and lift (F).

3. Height Adjustment: (fig. 4)

- a - Remove both bolts (G) in the hanger frame tube.
- b - Reposition the footrest.
- c - Re-tighten all bolts (G).



C. ELEVATING LEGREST (OPTIONAL)

1. Installation

To install or remove Elevating legrests (ELR) see instructions for Swing-away Footrest installation.

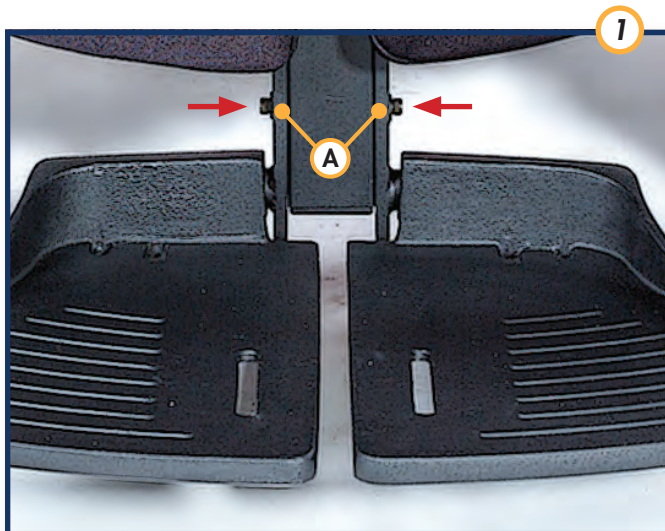
D. CENTER MOUNT HANGER ADJUSTMENT (fig.1-2)

1. Height Adjustment (fig.1)

- a - Loosen the securing bolts (A) with 5/32" Allen key.
- b - Slide footplate to desired height.
- c - Tighten bolts.

2. Calf Pad Adjustment

- a - Loosen the securing bolt with 5/32" Allen key.
- b - Move calf pad to desired height.
- c - Tighten bolts.



E. JOYSTICK

Please refer to the PG Drives user's manual provided with the information package

F. TO ADJUST THE DEPTH OF THE JOYSTICK (fig.3)

1. Loosen the wing-nut (B).
2. Slide the mounting bracket (tube) (C) in or out until in desired position.
3. Retighten the wing-nut (B)

G. TO USE THE SWING AWAY FUNCTION (fig.3-4)

1. Push down to release the lever (D)
2. Continue pushing down until the joystick bracket is fully retracted.
3. To bring back, pull the joystick firmly towards you until it gets back in its locked position (D)



H. DUAL-POST HEIGHT-ADJUSTABLE ARM RESTS (fig.5)

The dual-post flip-back armrest can be used as either a flip-back armrest or a removable armrest.

1. Installing Armrest

- a - Insert front and rear posts into armrest receivers.
- b - Engage lever (E) and insert the rear safety pin (F).

2. Set-up for Flip-back Operation

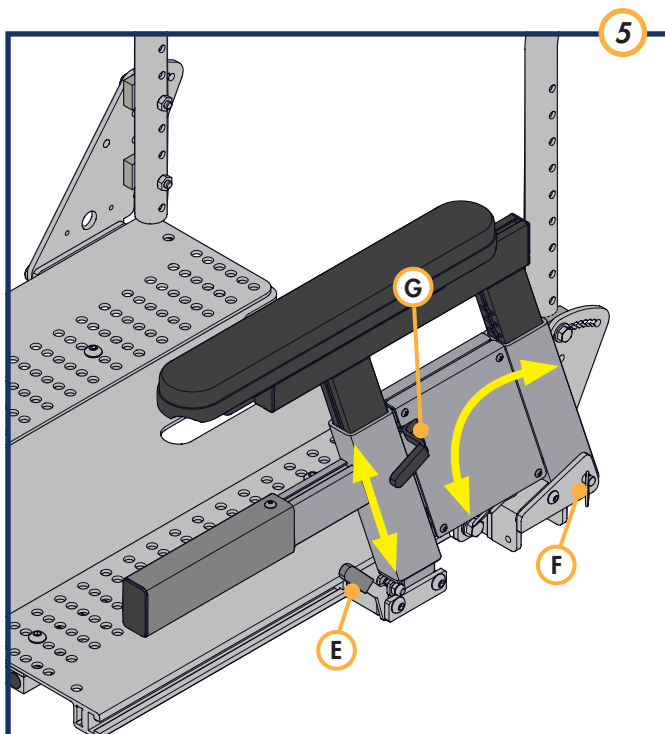
- a - Disengage lever (E) so front post is able to come free.
- b - Armrest now has the ability to be flipped back without removal.

3. Set-up for Removal

- a - Disengage levers (E) and pull out the rear safety pin (F) so both front and rear posts are able to come free.
- b - Armrest can now be easily removed for transferring.

4. Height-Adjustment

- a - Release the upper securing lever (G).
- b - Set at desired height.
- c - Return securing lever to locked position.
- d - Move armrest up or down to allow armrest to snap into place.



I. CANTILEVER & RECLINING ARMREST ADJUSTMENT (fig.6-7)

Both the Cantilever and Reclining armrests are height adjustable, but they are not removable.

1. Cantiliver armrest adjustment (fig.6)

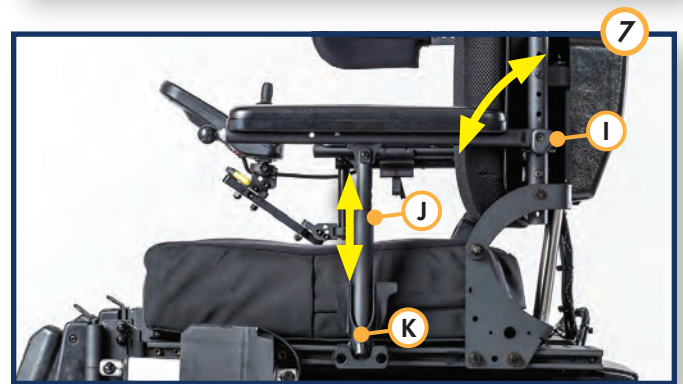
- a - To adjust, remove the two bolts (H) behind the armrest with 2 7/16" wrench.
- b - Reposition in the available holes for desired height.
- c - Retighten bolts on each side.

2. Reclining armrest adjustment on seat frame (fig.6)

- a - To adjust, loosen the screws (I) of the colar behind the armrest with a 3/16" Allen key ,and the bolt (J) from the vertical tube.
- b - Reposition to the desired height.
- c - Tighten the screws (I) of the colar behind the armrest, and install and tighten the bolt (J) on the vertical tube.
- d - To release the armrest, press the release lever (K) towards the inside of the chair, then lift.

⚠ WARNING

Reinstall the bolts and tighten all the bolts securely.



IX. OPERATING GUIDE

A. BATTERY CABLE AND FUSES (fig.1)

Your AmySystems Alltrack is equipped with 3 MIDI style 70A fuses.

NOTE - In the unlikely event of a short circuit or heavy overload, all power to your chair will be shut off. To reset your chair, you will need to replace the battery harness and fuses.

To access the battery harness and fuses.

- a - Squeeze tabs together to open the door.
- b - Drop the panel down and pull out battery (A).
- c - Replace the battery harness and fuses using the supplied wiring instructions.
- d - Push in batteries.
- e - Lock the panel back in its upright position and make sur the tabs are secured on each side of the battery compartment.



Repeated Shutdown:

If the chair continues to blow fuses, have it serviced by a supplier.

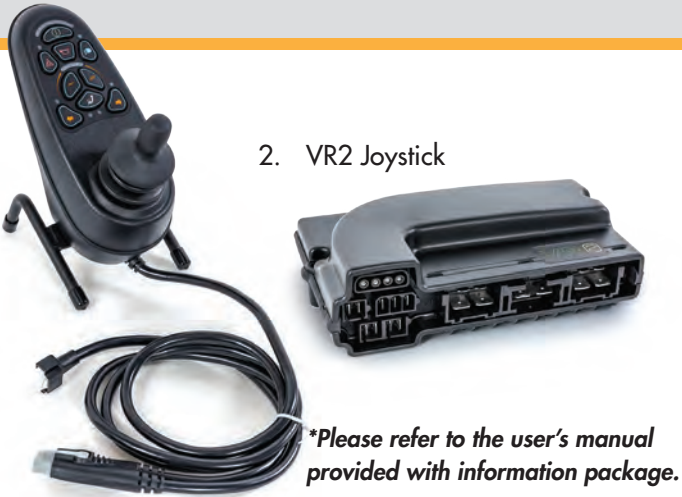
B. JOYSTICK ASSEMBLY

The joystick connects to a controller, which controls the chair's performance. The joystick varies based on the option selected for you.

- 1. R-Net (Option)



- 2. VR2 Joystick



**Please refer to the user's manual provided with information package.*

C. ENHANCED DISPLAY

Please refer to the PG Drives Enhanced Display owner's manual.

NOTE - Use only AmySystems recommended parts.

D. MOTOR LOCKS (fig.2)

Disconnect the motor locks when you need to manually push the chair, for example when in an emergency, or if batteries fail.

⚠ WARNING

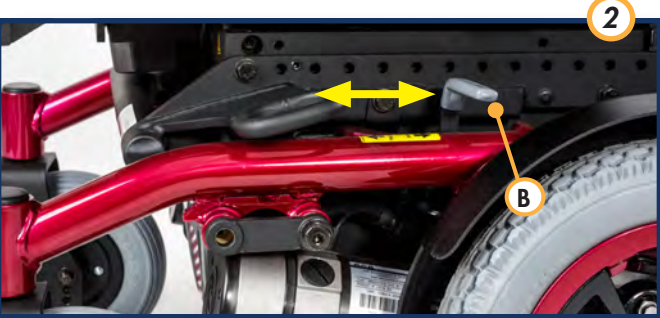
- 1. Do not disengage motor locks unless power to the chair is off.
- 2. Be aware that the chair will not have brakes in the freewheel position.
- 3. Make sure that the person pushing the chair has full control when motor locks are disengaged.

To Disengage Motor Locks:

- Pull the lever (B) in the neutral position to disengage the motor lock.

To Engage Motor Locks:

- Push the lever (B) to return to the drive position.



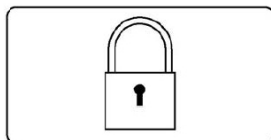
NOTE - If the lever is difficult to disengage, rock the wheelchair slightly back and forth and/or push against the chair while moving the lever.

E. LOCKING OR UNLOCKING THE JOYSTICK

To lock with keypad: R-Net and VR2

- While the control system is switched on, depress and hold the on/off button.
- After 1 second the control system will beep. Now release the on/off button.
- Deflect the joystick forward until the control system beeps.
- Release the joystick, there will be a long beep.
- The wheelchair is now locked.

NOTE - The following screen will be displayed the next time the Control System is switched on.

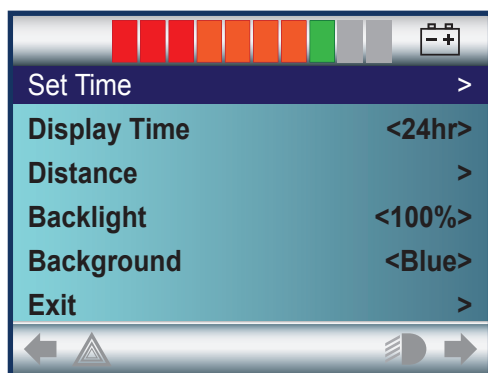
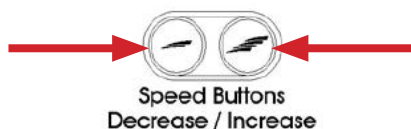


To unlock with keypad: R-Net and VR2

- Press the power button to turn the chair on.
- Deflect the joystick forward until the control system beeps.
- Deflect the joystick in reverse until the control system beeps.
- Release the joystick, there will be a long beep.
- The wheelchair is now unlocked.

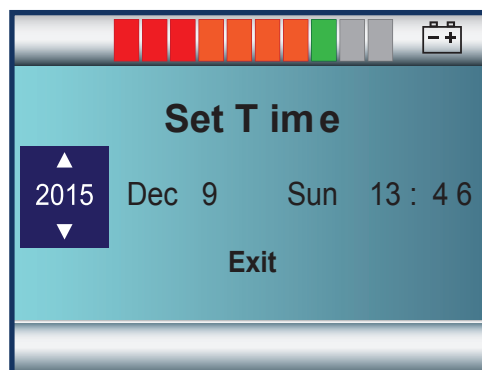
F. DISPLAY SETTINGS FOR R-NET COLOR MODELS

- The setting's menu is accessed by depressing the Speed Down and Speed Up buttons simultaneously. A right joystick deflection will enter the clock adjustment screen.

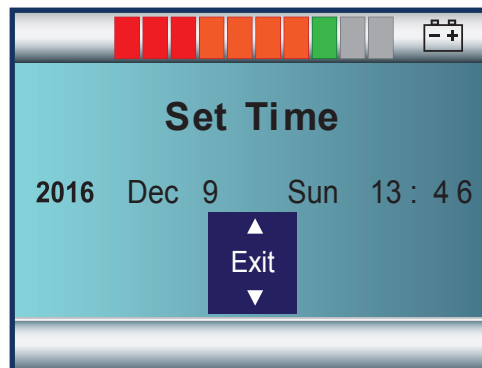


Set Time:

- Further joystick deflections are used to set the time and date.

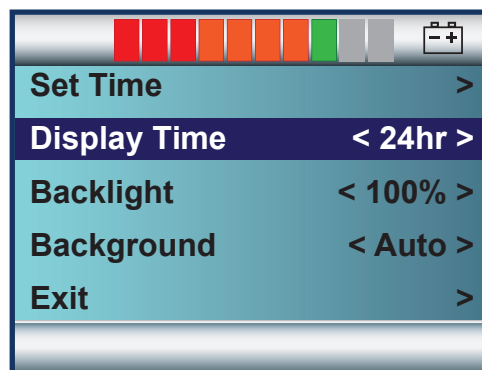


- Once you are done with the settings, just select exit and move the joystick accordingly.



Display Time:

- This sets the format of the time display or turns it off.
- The options are 12hr, 24hr or Off. Left and right joystick deflections are used to cycle through the options.



G. PERFORMANCE CONTROL SETTINGS

NOTE - Seek advice regarding checking and adjusting settings. It is vital to match control settings to your level of function and ability.

Consult your health care professional and your supplier to select the best control setting for you. For your safety, have the setting of your chair verified every six months.

⚠ WARNING

Have your control settings re-adjusted immediately if you notice any change in your ability to:

- Control the joystick.
- Avoid running into objects.

NOTE - Control Settings can be adjusted by your dealer.

H. THERMAL ROLL-BACK

Your chair has a thermal roll back circuit. This protects the controller from damage due to overheating. In extreme conditions (such as repetitive hill climbing) the circuit will decrease the power to your motors. This allows the chair to operate at a reduced speed. When the controller cools, the chair will return to normal speed.

I. POWER SEATING OPERATION THROUGH THE JOYSTICK

The power tilt, recline, seat elevate, elevating legrests or center mount features on your chair can be operated using the joystick on your chair.

1. 6-Key VR2 Joystick (Activates power tilt or seat elevate only)



- For tilt or seat elevate operation through this joystick, you must press the actuator button to access seating options.
- Once you have accessed the seating mode on your joystick, you must deflect the joystick backward to activate the power option, and deflect the joystick forward to return to the static mode.

2. R-net EL Joystick (Activates multiple power options)

- For power seating operation through this joystick, you must press the mode button to access seating options.
- Once you have accessed the seating mode of your joystick, you must toggle left or right until the light showing the power option you want to activate turns on.
- Once you have accessed the seating mode on your joystick, you must deflect the joystick backward to activate the power option, and deflect the joystick forward to return to the static mode.



3. R-net Color Joystick (Activates multiple power options)

- For power seating operation through this joystick, you must press the mode button to access seating options.
- Once you have accessed the seating mode on your joystick, you must toggle left or right until the icon showing the power option you want to activate turns on.
- Once you have accessed the seating mode on your joystick, you must deflect the joystick backward to activate the power option, and deflect the joystick forward to return to the static mode.



4. R-net Advanced Joystick with 3.5" Screen (Activates multiple power options)

- For power seating operation through this joystick, you must press the mode button to access seating options.
- Once you have accessed the seating mode on your joystick, you must toggle left or right until the icon showing the power option you want to activate turns on.
- Once you have accessed the seating mode on your joystick, you must deflect the joystick backward to activate the power option, and deflect the joystick forward to return to the static mode.



J. POWER TILT

(Standard Operating Instructions)

⚠ WARNING

Make sure the wheelchair is on a level surface before proceeding with tilt mode.



1. SINGLE ACTUATOR TOGGLE SWITCH

Increasing Tilt Angle

Pull the toggle switch (located next to the wheelchair joystick) backward until the desired tilt angle is achieved, then release.



Decreasing Tilt Angle

Release the toggle switch to the neutral position for a minimum of 1 second and push the toggle switch (located next to the wheelchair joystick) forward until the desired tilt angle is achieved, then release.



2. DRIVE LOCK-OUT

Drive lock-out is a safety feature designed to prevent the wheelchair from being driven while in a tilt angle over 15° relative to the horizontal position.

⚠ DANGER

Never operate the wheelchair while in tilt with an angle over 15° relative to the horizontal position. If the drive lock-out does not stop the wheelchair from operating when in a tilt angle over 15°, have the wheelchair or power tilt system serviced by an authorized dealer or qualified technician.



K. POWER SEAT ELEVATOR

(Standard Operating Instructions)

⚠ WARNING

Make sure the wheelchair is on a level surface before proceeding with elevate mode and driving in reduced speed while elevated.



1. SINGLE ACTUATOR TOGGLE SWITCH

Increasing Seat Elevator Height

Pull the toggle switch (located next to the wheelchair joystick) backward until the desired lift height is achieved, then release.



Decreasing Seat Elevator Height

Release the toggle switch to the neutral position for a minimum of 1 second and push the toggle switch (located next to the wheelchair joystick) forward until the desired height is achieved, then release.



3. DRIVING IN REDUCED SPEED

Reduced drive is a feature designed to allow the user to drive the wheelchair at a reduced speed while lifted up to 11" (280 mm). When elevated, the drive speed is then reduced to 25% of its original setting. Full drive speed is achieved when the seat elevator is down to its lowest position.

DANGER

Never operate the seat elevator when the wheelchair is in any slope. In reduced speed, the wheelchair must be driven on a level surface. If the reduced speed does not slow the wheelchair's drive speed to 25% of its original settings, have the wheelchair or power seat elevate system serviced by an authorized dealer or qualified technician.



L POWER TILT/SEAT ELEVATE COMBO

(Standard Operating Instructions)

⚠ WARNING

Make sure the wheelchair is on a **level surface** before proceeding with either Tilt or Elevate mode and driving in reduced speed while elevated.



Tilt and Seat Elevate options are programmed to operate separately. The ability to tilt while the seat elevator is elevated is not possible. Bypassing this programming may cause severe injury.

1. DUAL ACTUATOR TOGGLE SWITCH

Increasing / Decreasing Seat Elevate Height

Pull the toggle switch (located next to the wheelchair joystick) backward until the desired height is achieved, then release. To change direction, release the toggle switch to the neutral position for a minimum of 1 second, and pull backwards the toggle switch in the same direction until you achieve the desired height, then release.



Increasing / Decreasing Tilt Angle

Push the toggle switch (located next to the wheelchair joystick) forward until the desired tilt angle is achieved, then release. To change direction, release the toggle switch to the neutral position for a minimum of 1 second, and push the toggle switch forward in the same direction until you achieve the desired tilt angle, then release.



3. DRIVING IN REDUCED SPEED

Reduced drive is a feature designed to allow the user to drive the wheelchair at a reduced speed while elevated up to 11" (280 mm). When elevated, the drive speed is then reduced to 25% of its original setting. Full drive speed is achieved when the seat elevate is down to its lowest position.

4. DRIVE LOCK-OUT

Drive lock-out is a safety feature designed to prevent the wheelchair from being driven while in a tilt angle over 15° relative to the horizontal position.

⚠ DANGER

Never operate the wheelchair while in tilt mode over 15° relative to the horizontal position. Never operate the seat elevate when the wheelchair is in any slope. In reduced speed, the wheelchair must be driven on a level surface. If the drive lock-out does not stop the wheelchair from operating when in a tilt angle over 15°, or if it allows the seat elevate to elevate while tilted, or if the reduced speed does not slow the wheelchair's drive speed to 25% of its original settings, have the wheelchair or power seat elevate system serviced by an authorized dealer or qualified technician.



M. POWER TILT

(Standard Operating Instructions)

WARNING

Make sure the wheelchair is on a **level surface** before proceeding with Tilt mode.



4-WAY TOGGLE

Increasing Tilt Angle

Push the four-way toggle switch forward until the desired tilt angle is achieved and release.



Decreasing Tilt Angle

To reverse the tilt angle direction: Release the four-way toggle switch to the neutral position for a minimum of 1 second and push the four-way toggle switch forward until the desired tilt angle is achieved and release.



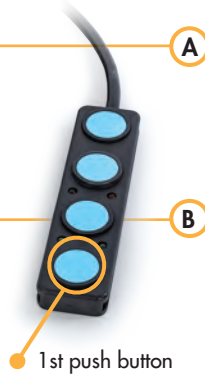
PUSH BUTTON SWITCHES

Increasing Tilt Angle

Push the 1st button (furthest from the wire) until the desired tilt angle is achieved and release.

Decreasing Tilt Angle

To reverse the tilt angle direction: Release the 1st button to the neutral position for a minimum of 1 second and push the same button until the desired tilt angle is achieved and release.



N. POWER RECLINE

(Standard Operating Instructions)

⚠ WARNING

Make sure the wheelchair is on a **level surface** before proceeding with recline mode.



4-WAY TOGGLE



Increasing Recline Angle

Pull the four-way toggle switch back until the desired recline angle is achieved and release.

Decreasing Recline Angle

To reverse the recline angle direction: Release the four-way toggle switch to the neutral position for a minimum of 1 second and pull the four-way toggle switch back until the desired recline angle is achieved and release.

TIP-OVER LIMIT SWITCH

When equipped with a tilt and power or manual recline combination, your wheelchair will include a mercury switch located inside the shroud, on the right side of the chair. The purpose of the mercury switch is to control the combination of the total tilt / recline angle.

This mercury switch can be manually turned to change the total tilt / recline angle to a desired or comfortable level for the end user. The total tilt and recline angle should never exceed the horizontal plain (180°). Technicians must watch for a possible tilt actuator behind the seat that would reduce the total tilt / recline limit. The total tilt and recline angle should be limited prior to contact between the shroud and the tilt actuator.

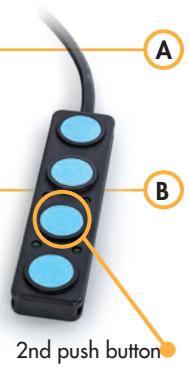
PUSH BUTTON SWITCHES

Increasing Recline Angle

Push the 2nd button until the desired recline angle is achieved and release.

Decreasing Recline Angle

To reverse the recline angle direction: Release the 2nd button to the neutral position for a minimum of 1 second and push the same button until the desired recline angle is achieved and release.



O. POWER ELEVATING FRONT RIGGINGS

(Standard Operating Instructions)

⚠ WARNING

Make sure the wheelchair is on a level surface.

INCREASING & DECREASING THE LEFT LEGREST ANGLE



4-way Toggle



Move the four-way toggle switch towards the left side of the wheelchair until the desired legrest angle is achieved. To reverse the legrest direction: release the four-way toggle switch to the neutral position for a minimum of 1 second and move the four-way toggle switch towards the left side of the wheelchair until the desired legrest angle is achieved.

Push Button Switches

Push the 3rd button until the desired legrests angle is achieved and release. To reverse the legrest angle direction: release the 3rd button to the neutral position for a minimum of 1 second and push the same button until the desired legrest angle is achieved and release.



⚠ WARNING

Make sure the wheelchair is on a level surface.

INCREASING & DECREASING THE RIGHT LEGREST ANGLE



4-way Toggle



Move the four-way toggle switch towards the right side of the wheelchair until the desired legrest angle is achieved. To reverse the legrest angle direction: release the four-way toggle switch to the neutral position for a minimum of 1 second and move the four-way toggle switch towards the right side of the wheelchair until the desired legrest angle is achieved.

Push Button Switches

Push the 4th button (closest to the wire) until the desired legrests angle is achieved and release. To reverse the legrest angle direction: release the 4th button the neutral position for a minimum of 1 second and push the same button until the desired legrest angle is achieved and release.



O. POWER ELEVATING FRONT RIGGINGS

(Standard Operating Instructions)

⚠ WARNING

Make sure the wheelchair is on a level surface.

INCREASING & DECREASING THE POWER CENTER MOUNT



4-way Toggle



Move the four-way toggle switch towards the left side of the wheelchair until the desired center mount angle is achieved. To reverse the center mount angle direction: release the four-way toggle switch to the neutral position for a minimum of 1 second and move the four-way toggle switch towards the left side of the wheelchair until the desired center mount angle is achieved.

Push Button Switches

Push the 3rd button until the desired center mount angle is achieved and release. To reverse the center mount angle direction: release the 3rd button to the neutral position for a minimum of 1 second and push the same button until the desired center mount angle is achieved and release.



P. ADJUSTMENTS

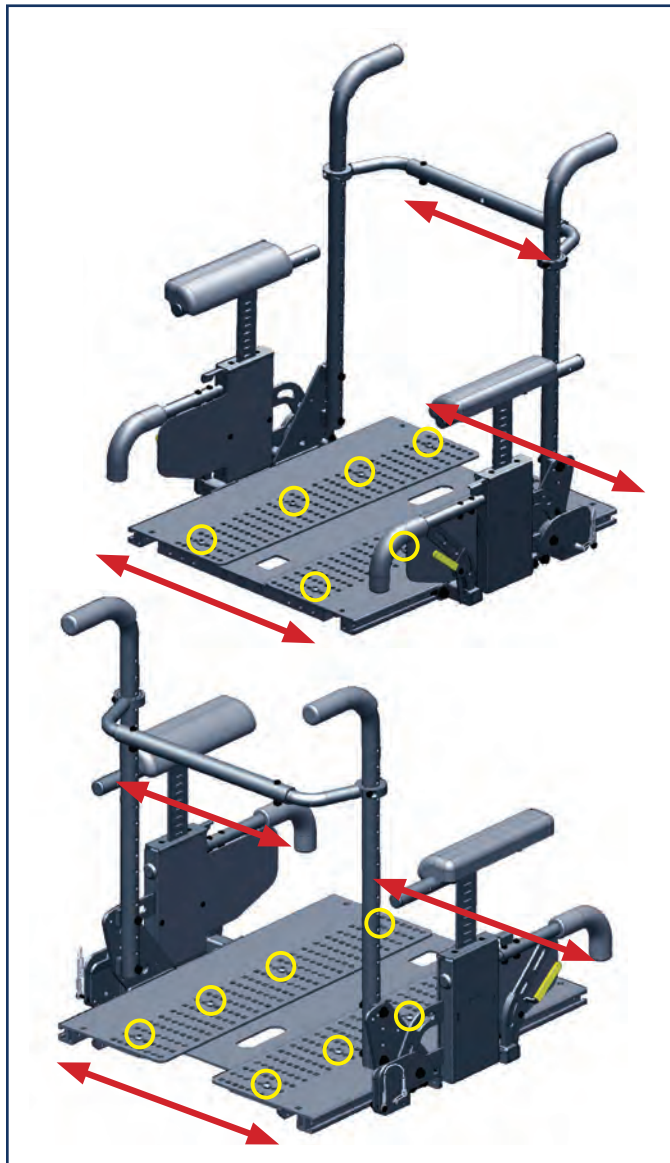
SEAT - WIDTH ADJUSTMENT

Unscrew and remove the 6 to 8 screws located on top of the seat pan with 3/16 Allen key and, then equally adjust the seat width to the desired width and put screws back in place.

NOTE - The width adjustment must also be made on the rear cross tubes that hold the back canes and seat laterally. Use a 3/16" Allen key with 7/16" wrench to remove the 2 bolts.

⚠ WARNING

At all times, the screws holding the seat plates and back cross tube must be screwed in tight and secured in order to avoid severe injury and/or damage to the seating system.



P. ADJUSTMENTS

SEAT - DEPTH ADJUSTMENT (fig.1)

Two seat frames are available that allow for depth adjustment. The short frame range is up to 19" (480 mm) deep and the long frame range is up to 22" (560 mm) deep.

The seat depth can be adjusted in one inch increments on standard rehab seating for all seat frames.

- a - To adjust, loosen the tree bolts (A) of the backrest pivot plate on each side of the seat with 1/2" wrench
- b - Remove the bolts linking the back to the seat pan.
- c - Reposition the Seat to the desired position.
- d - Retighten bolts on each side of the backrest pivot plate, and tighten the bolts that link the back to the seat pan.

⚠ WARNING

At all times, the three screws on each side holding the side plates must be screwed in tight and secured in order to avoid severe injury and/or damage to the seating system.



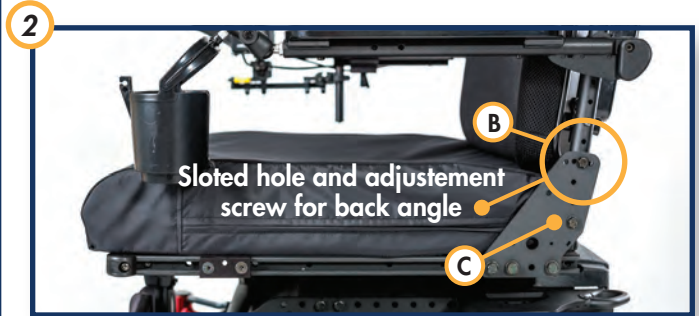
BACK - ADJUSTABLE BACK ANGLE (fig.2)

Using the series of slotted holes provided on each side plates, increase or decrease the back angle by loosening the screw from each side plates and adjust them equally to the desired angle.

- a - Remove the top securing bolt (B) on the side of the backrest pivot plate with 5/32 Allen key and 7/16 wrench.
- b - Loosen the lower rear bolt (C)
- c - Set at desired angle. There are ten holes (in 4° increments) to choose from.

⚠ WARNING

At all times, the screws on each side holding the back canes must be screwed in tight and secured in order to avoid severe injury and/or damage to the seating system.



ADJUSTING THE CENTER OF GRAVITY (fig.3)

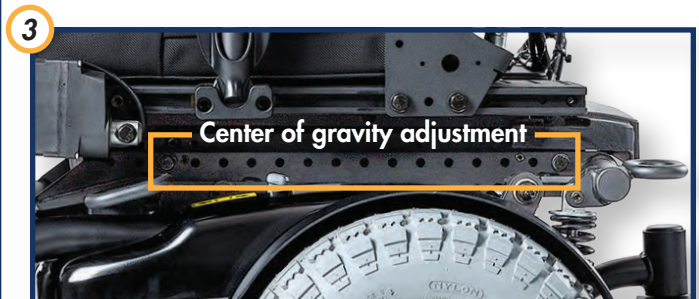
Due to the variety of seat measurements and modular power options available on various power wheelchairs, AmySystems offers many adjustments that allows the ability to adjust to individual client needs. Proper adjustment of the center of gravity is critical for patient safety and wheelchair performance. To adjust the center of gravity, unscrew the bolts on each side of the main adaptors and adjust the system for optimal performance with 1/2" wrench.

⚠ WARNING

At all times, the screws on each side holding the main system must be screwed in tight and secured in order to avoid severe injury and/or damage to the seating system.

⚠ WARNING

Before delivering an AmySystems product, the dealer must verify while the user is sitting in the seating system that the center of gravity and overall stability of the wheelchair is maintained and optimal in all combinations of tilt, recline or elevation.



P. ADJUSTMENTS

MULTI-AXIS HEADREST

The Multi Axis headrest has a pivot ball at the bottom to permit up to 3" of lateral movement. The kit is supplied with additional hardware consisting of nuts and bolts to replace the quick latch system if desired. It also comes with a second vertical bar that can add another 2" of movement in all directions.

NOTE - When pushing the Quick Latch back in, it should be hard and stiff to close down. It should leave a pressure mark in your palm. If it still moves after that, repeat by tightening the nut, not the latch. The first time it is tightened, usually the star washer on the inside will "break" the paint. The second time, it will be firmly set into the metal and hold well.

If this is still an issue, every headrest is supplied with replacement nuts and bolts, so it can be locked in place.



Q. TROUBLESHOOTING GUIDE FOR POWER SEATING

Symptom	Possible Causes	How to fix this
Nothing works!	<ul style="list-style-type: none"> No batteries in your wheelchair 24V Power Cable disconnected Fuse is burned Switchbox is defective 	<ul style="list-style-type: none"> Check batteries Verify all connections Verify and / or replace battery cables
Actuator is noisy when going up or down	<ul style="list-style-type: none"> Defective Actuator Mechanical restraint 	<ul style="list-style-type: none"> Make sure the seat is aligned well and doesn't interfere with the rear of the tilt actuator when tilting Check for and remove mechanical restraints Eliminate all contacts of the actuator with the power base frame
Actuator is going only in one direction. (with DAC Controller)	<ul style="list-style-type: none"> Wrong Programming Wrong Cable Plugging 	<ul style="list-style-type: none"> Verify electrical assembly and programming thoroughly If it still does not work, call AmySystems technical support for further instructions
Relays can be heard, but actuator does not operate	<ul style="list-style-type: none"> Actuator not connected to controller Defective actuator Defective controller 	<ul style="list-style-type: none"> Verify electrical assembly and programming thoroughly If it still does not work, call AmySystems technical support for further instructions
Fuse burns repeatedly	<ul style="list-style-type: none"> Mechanical restraint Short circuit in one of the cables Defective controller 	<ul style="list-style-type: none"> Verify mechanical assembly thoroughly Call AmySystemstechnical support for further instructions
Drive defeat switch, mercury switch or reduced speed does not work properly	<ul style="list-style-type: none"> Wrong Programming Wrong Cable Plugging Drive defeat switch is unplugged or defective Reduced speed switch is unplugged or defective Mercury switch is unplugged or defective. 	<ul style="list-style-type: none"> Verify proper mechanical operation of limit switches. Verify electrical assembly and programming thoroughly If it still does not work, call AmySystems technical support for further instructions
Charger fuse burns every time I try to charge the batteries	<ul style="list-style-type: none"> Wrong charger is used Trouble with the power interfacing cable 	<ul style="list-style-type: none"> Make sure you are using the battery charger provided with your wheelchair

X. BATTERIES

A. INTRODUCTION

1. Notes -

- Batteries supply the power for your chair. They contain a finite amount of energy and have limits on how long they can store and supply energy.
- You can charge batteries only a certain number of times before they will fail and no longer hold a charge.
- For answers to questions about batteries, consult your supplier.

2. Use Proper Batteries:

- Your chair operates on two 12 volt batteries.
- They should be Group 24 (or 22NF) size with a minimum of 50 ampere hour rating. Only deep cycle sealed case construction batteries should be used in this device.
- Connecting configuration. They should have a post and clamp style connection or flat tops
- When you buy a replacement, insist on a deep cycle sealed case type. Do not use a car starter battery.

3. Breaking In:

- A battery requires “breaking-in” for the first 6 to 12 charges. It will not accept a full charge for this period.
- It is best to limit the length of your trips until you break the batteries in and you know the range of your chair.

4. Discharged Batteries:

- Never allow a battery to completely discharge. If you operate your wheelchair until it has almost stopped, you will greatly reduce the life of your batteries.
- Never let a battery sit in a discharged condition. Give unused or stored batteries a full charge once per month.
- Always fully charge the batteries. Avoid “topping off” with frequent charges.

WARNING

Never connect a life support or auxiliary device to a wheelchair battery. The electrical system may fail, and result in severe injury or death of user.

B. BATTERY CHARGER

A battery charger produces a direct current (DC). When applied to a discharged battery, this reverses the chemical reaction that led to its discharge.

1. Charge Rate. How fast a battery will charge depends on:

- Its electrical capacity; state of charge; electrolyte temperature, and; internal condition.
- The DC output of the charger. (The charge rate will vary if the alternating current (AC) supply is higher or lower than 110 volts).

2. Caution — To Avoid Damage to the Charger:

- Never place the charger on top of a battery during charging. (Gases from the battery can damage the charger and may lead to an explosion or fire).
- Never place a battery on top of the charger.
- Never expose charger to rain or snow.
- Never unplug charger by pulling on the electrical cord. This will damage the cord.
- Never open a charger or attempt to repair it yourself. Return a defective charger back to your supplier.
- Keep cord out of the way, where it will not be stepped on, tripped over, or damaged.

3. Caution — To Avoid Damage to the Battery:

- Make sure you use the correct setting for sealed (gel) batteries (located on the off-board charger).
- Never charge a frozen battery. A fully charged battery will rarely freeze, but the fluid in a discharged battery can freeze at 16° Fahrenheit (minus 9° Centigrade). If you suspect a battery is frozen, thaw it before charging.

WARNING

Lead acid batteries generate explosive gas while charging. Completely read and follow all warnings about the batteries in this user instruction manual and any labels applied to the product. Failure to do so could result in fire, explosion, injury and/or death.

⚠ WARNING

C ACID BURNS

(unsealed wet cell batteries)

Acid in batteries is corrosive. It can cause serious burns to the eyes and skin and can damage floors, furniture, clothing and your wheelchair.

1. Use extreme care not to spill acid when you handle batteries. Keep batteries upright.
2. Avoid contact of acid with bare skin or clothing.
3. Always wear rubber gloves and safety glasses when you handle batteries.
4. If acid contacts your skin or clothing, wash immediately with soap and water.
5. If acid contacts your eyes, immediately flood eyes with cold running water for at least 15 minutes. Seek medical attention immediately.

⚠ WARNING

D. CONNECTING THE BATTERIES IN THE COMPARTMENT

1. Batteries weigh up to 55 lbs. (25 kg) each. Take care to avoid injury when lifting.
2. Keep batteries upright. Take care not to spill acid (wet cell batteries).
3. Always wear rubber gloves and safety glasses when you handle batteries.
4. Before working around batteries, remove all metal personal effects, such as necklaces, rings, watches, pins and other metal jewelry that might contact battery terminal and cause a short.

⚠ WARNING

Lift batteries into battery compartment. Batteries weigh up to 55 lbs (25 kg) each. Lifting batteries may cause back strain. If you fail to heed these warnings severe injury may occur to you.

1. Connect and disconnect battery cables with caution. Connect the red lead to the positive terminal and the black lead to the negative terminal. Do this for each battery.
2. For batteries with post, tighten all terminal fasteners using two 1/2" (12 mm) box end wrenches to 60 in-lbs (6.8 N.m).

3. For batteries with flat tops, tighten all terminals with 7/16" wrench.

⊘ PROHIBITED!

Never make direct contact across both battery terminals, as an explosion may occur. A spark may result in an explosion and/or fire resulting in severe injury or death.

⚠ WARNING

E. CHARGING BATTERIES

To avoid the risk of severe injury or death from electrical shock, fire or explosion while charging:

⊘ PROHIBITED!

Never connect charger to a 240 volt source. The main input voltage is 110 volts.

⚠ WARNING

Never touch the charger after it is connected to an electrical outlet. This may cause electrical shock.

- Never connect or disconnect charger from battery while there is power to the charger.

⚠ WARNING

1. Never use an extension cord. Use of an improper cord could damage the charger or cause a fire or electrical shock.
2. A battery emits explosive hydrogen gas during charging. To reduce the risk of fire or explosion:
 - Make sure area is well ventilated. Never charge battery in a closed-in area.
 - Never smoke or allow a spark, flame or high heat near battery during charging.
 - Never allow metal tools or chair parts to make direct contact across both battery terminals.
3. Never look directly into cells when charging battery (wet cell batteries).

ALWAYS:

1. Use the charger that comes with your wheelchair. Read and follow all instructions and warnings.
2. Make sure room is well ventilated.
3. Turn off all power to your chair.
4. Connect and disconnect battery cables with caution.

NOTE - Always remove and reattach the negative cable (black cable) first.

5. Make sure to allow enough time to fully charge batteries.

NOTE - Batteries should never be left for long period in the discharged state. Unused or stored batteries should be given a charge once per month.

6. To charge batteries, use the off-board charger by plugging off-board charger plug into the off-board charger socket.

⚠ WARNING

F. DISPOSING OF BATTERIES

1. All batteries once they have reached the end of their useful life are deemed to be hazardous waste.
2. For further information on handling and recycling contact your local recycling authority.
3. Always dispose of product through a recognized agent.

XI. MAINTENANCE

A. NOTES

1. Proper maintenance will improve performance and extend the useful life of your chair.
2. Clean your chair regularly. This will help you find loose or worn parts and will make your chair easier to use.
3. To protect your investment, have all major service and repair work done by your supplier.

⚠ WARNING

1. Your chair needs regular maintenance for peak performance and to avoid injury from chair failure, damage or premature wear.
2. Inspect and maintain this chair strictly per the "Maintenance Chart".

3. If you detect a problem, make sure to service or repair the chair before use.
4. At least once a year, have a complete safety check and service of your chair performed by a supplier.

B. CLEANING

1. Paint Finish:

- Clean the paint finish with mild soapy water monthly.
- Protect the paint with a coat of non-abrasive auto wax every 6 months.

2. Motors:

- Clean around motor area weekly with a slightly damp (not wet) cloth.
- Wipe off or blow away any fluff, dust, or dirt on or around the motors.

NOTE - You do not need to grease or oil the chair.

3. Upholstery:

- Hand-wash only as needed. Machine washing may damage fabric. See label instructions for information.
- Drip-dry only. Heat from a dryer may damage fabric.

NOTE - Washing the fabric may decrease fire retardant properties.

C. STORAGE TIPS

1. Store your chair in a clean, dry area. If you fail to do so, parts may rust or corrode.
2. Before using your chair, make sure it is in proper working order. Inspect and service all items on the "Maintenance Chart".
3. If you store this chair for more than three months, have it inspected by a supplier before use.

⚠ WARNING

D. BATTERY MAINTENANCE

1. To prevent an acid spill, always keep batteries upright (wet cell batteries).
2. Never smoke or hold an open flame near batteries.
3. Always wear rubber gloves and safety glasses when you handle batteries.

1. Maintenance Schedule:

This varies for different types of batteries. Always follow the instructions supplied with your batteries.

NOTE - Always wear rubber gloves and safety glasses when you handle or service batteries.

2. Adding Water: (Wet Cells Only)

- Wet-type lead acid batteries need periodic replacement of water due to evaporation.

NOTE - Use distilled water only.

Check the battery fluid level about once a week. When you remove the stoppers (on top of the battery) there should be one-eighth to one-quarter of an inch of fluid above the internal plates. Do not overfill.

3. Corrosion:

Check battery terminals often for corrosion.

- a - If corrosion is present, use a wire brush to clean the terminals.

NOTE - Always wear safety glasses and rubber gloves.

- b - Use baking soda to neutralize acid.
- c - Use petroleum jelly to re-grease the terminals after connecting cable to battery. (Completely cover the terminal nut and bolt, cable clip and any exposed cable with jelly).

4. For Answers to Questions:

Contact your supplier.

⚠ WARNING

E. PNEUMATIC TIRES

1. Do not use this chair if any of the tires are under- or over-inflated.
2. Low pressure in a tire may cause the chair to veer to one side and result in loss of control.
3. An over-inflated tire may burst.
4. Never use a gas station pump to inflate a tire. Such pumps provide air at high volume, and may cause tire to burst.
5. Check for signs of wear and correct air pressure in pneumatic tires weekly.
6. For best performance, inflate tires to the same pressure level, as shown on the tire sidewall:

14" pneumatic drive wheels 35 psi

⚠ CAUTION

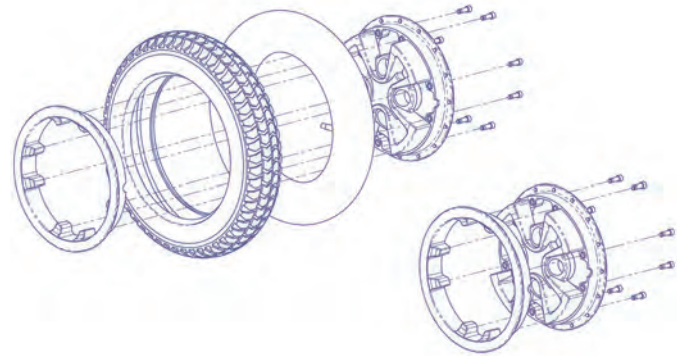
To prevent fire damage:

Use a hand pump (or a low volume air pump) to inflate tires. Use a tire gauge to check pressure.

⚠ WARNING

F. TO REPAIR OR REPLACE A TIRE

Residual air pressure in tires can cause severe injury. Make sure you release all air in tire before attempting to service or repair tires.



1. 6" Caster Wheels:

- a - Remove caster wheel from fork using a 1/2" (12 mm) wrench.
- b - Remove four bolts from rim using a # 3 phillips screwdriver. Separate two halves of rim.
- c - Replace tire.
- d - Reassemble the caster wheel; make sure the bearing spacer is in place and all four bolts are tightened.
- e - Mount caster wheel onto fork. Install washers correctly, and tighten bolts.

2. 14" Drive Wheels:

- a - Elevate and securely support chair so that wheel is off the ground. Release all air from tire.
- b - Remove four (4) lug nuts from rim using a 5/8 socket wrench.
- c - Make sure all air has been removed from tire. Remove the eight bolts inside the rim with a 5mm Allen key. Separate two halves of rim.
- d - Repair or replace inner tube. Reassemble the wheel.
- e - Inflate tire to proper pressure level (listed on tire sidewall).

G. HOW TO CHANGE CASTERS FORKS

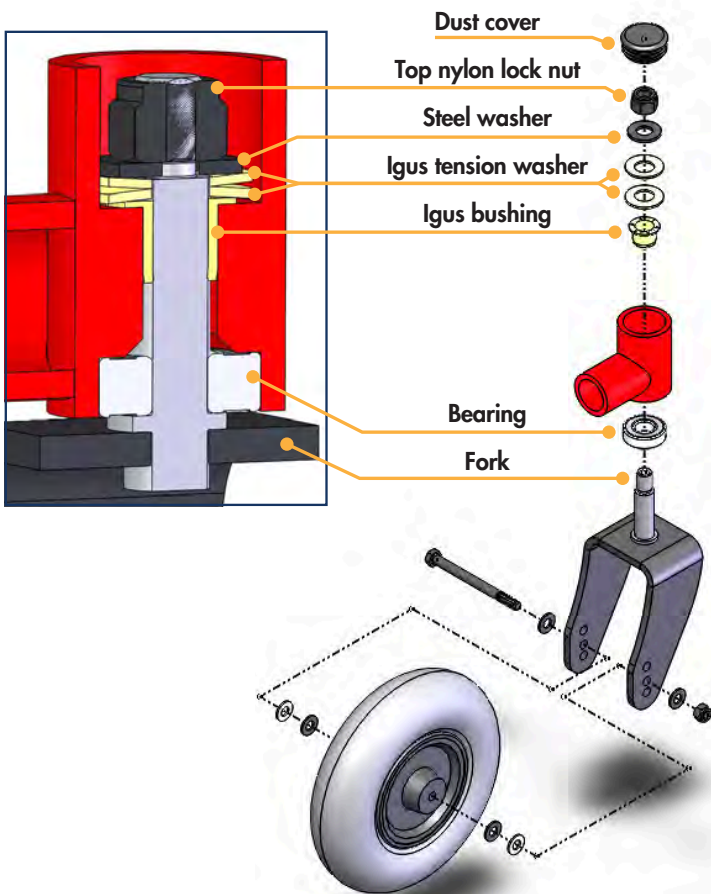
1. With flat head screwdriver, gently remove dust cover.
2. Using a 3/4" socket, remove top nylon lock nut.
3. Remove all parts, and pull fork downwards.

NOTE - Be sure to remove all residue before reinstalling parts, it is strongly suggested to replace all parts at the same time, never use any kind of lubricant or grease in the fork housing.

4. Reinstall parts.

NOTE - Also it is important to take close care to install the two Iigus tension washer back to back as pictured below. Only in this configuration will they have the right pressure on the fork stem.

5. Tighten nylon lock nut.
6. Replace dust cover.



H. MAINTENANCE CHART

You should check the items on this chart at the indicated intervals. If any of the items are loose, worn, bent or distorted, immediately have them checked and/or repaired by your authorized AmySystems supplier. Frequent maintenance and servicing will improve performance, extend wheelchair life, and help prevent injuries.

Frequencies	Daily	Weekly	Monthly	Quarterly	Annually
Charge Batteries	X				
Check tires for proper inflation level and wear		X			
Check batteries for proper electrolyte level (wet only)		X			
Check plugs and connectors for proper connections			X		
Check all moving parts for wear				X	
Inspect all nuts, bolts and fasteners for looseness or wear				X	
Inspect upholstery for wear				X	
Inspect bearings, pivot points and igus				X	
Service by authorized supplier					X

I. ORDERING PARTS

When you order parts, provide the following:

1. Model of chair
2. Serial number of chair
3. Left hand or right hand control
4. Part number, description and quantity of parts you need.
5. State reason for replacement.

XII. AmySystems - LIMITED WARRANTY

GENERAL WARRANTY INFORMATION - (USA)

1. LIMITED WARRANTY

Amylior Inc (DBA: Amysystems™) warrants components against defects in materials and workmanship from the original date of purchase from Amylior Inc (DBA: Amysystems™) as follows:

WARRANTY

- Five (5) years: Main Frame, Seat Frame, Interface Brackets, and Structural Components (Note #1)
- One (1) years: All Electronic Components and Actuators (Note #1)
- Ninety (90) days: Upholstery, Plastic or Rubber parts and Painted Surfaces due to poor adhesion. (Note #1)
- Thirty (30) days: All other Original Components (Note #1)

Note #1: Excludes physical Damages

2. REPLACEMENT PARTS WARRANTY

If an item is replaced under warranty, that item's new warranty period shall be the greater of the remaining original item's warranty

- One (1) year: Main Frame, Seat Frame, Interface Brackets, and Structural Components (Note #1)
- Six (6) months: All Electronic Components and Actuators (Note #1)
- Thirty (30) days: Upholstery, Plastic or Rubber parts and Painted Surfaces due to poor adhesion. (Note #1)
- Thirty (30) days: All other Original Components (Note #1)

Note #1: Excludes physical Damages

3. RETURNS POLICY

- a - Obtain from an Amysystems, while this warranty is in effect, prior approval for return or repair covered parts.
- b - Return the wheelchair or part(s), freight pre-paid, to:
Amylior Inc. (DBA : Amysystems™)
178 West Service Rd.
Champlain, NY
12919
(888) 453-0311
- c - The cost of labor to install or repair parts is the responsibility of the purchaser.

4. RESTOCKING FEE POLICY

Amylior Inc. (DBA: Amysystems) will accept the return of unused products according to the following guidelines.

- a - Applies to standard products without any custom modifications.
- b - Does not allow for the return of custom-made products.
- c - A customer has 30 days from receipt of an order to obtain a Return Authorization.
- d - A 15% restocking fee will be assessed.
- e - The customer will have 30 days after receiving the Return Authorization number to return the product.

Disclaimer and Warranty

PLEASE NOTE: THE WARRANTY BELOW HAS BEEN DRAFTED TO COMPLY WITH FEDERAL LAW APPLICABLE TO PRODUCTS MANUFACTURED AFTER JULY 4, 1975.

This warranty is extended only to the original purchaser/user of our products.

This warranty gives you specific legal rights and you may also have other legal rights which vary from state to state.

DISCLAIMER

Amysystems makes no claims as to the therapeutic effectiveness of the products. Our only claims relate to the ability of the products to provide safe and reliable powered repositioning on the equipment onto which they are installed.

LIMITED WARRANTY

This warranty does not include any labor or shipping charges incurred in replacement part installation or repair of any such product. Amysystems' sole obligation and your exclusive remedy under this warranty shall be limited to such repair and/or replacement.

The sole obligation of Amysystems under this warranty shall be to repair or replace any component or components which are found to be defective. For warranty service, contact the dealer from which the system was purchased. The purchaser of the product is responsible for returning the product to the dealer. Any defective component, once replaced under warranty, shall become the property of Amysystems. If further service is required, contact Amysystems at 1-888-453-0311.

Do not return products to our factory without our prior consent.

LIMITATIONS AND EXCLUSIONS

The foregoing warranty shall apply only to the original purchase and shall not apply to serial numbered products if the serial number has been removed or defaced, products subjected to negligence, accident, improper operation, maintenance or storage, commercial or institutional use, products modified without Amysystems' express written consent (including, but not limited to, modification through the use unauthorized parts or attachments; products damaged by reason of repairs made to any component without the specific consent of Amysystems, or to a product damaged by circumstances beyond Amysystems' control, and such evaluation will be solely determined by Amysystems. The warranty shall not apply to problems arising from normal wear or failure to adhere to the following instructions.

The foregoing warranty is exclusive and in lieu of all other express warranties. Implied warranties, if any, including the implied warranties of merchantability and fitness for a particular purpose, shall not extend beyond the duration of the expressed warranty provided herein and the remedy for violations of any implied warranty shall be limited to repair or replacement of the defective product pursuant to the terms contained herein. Amysystems shall not be liable for any consequential or incidental damages whatsoever.

Some jurisdictions do not allow the exclusions or limitation of incidental or consequential damages, or limitation on the length of an implied warranty. Local laws should be reviewed to determine if the above exclusions and limitations apply.

Manufactured by:

Amylior Inc. (DBA: AmySystems)

3190 F.X. Tessier

Vaudreuil-Dorion, QC

J7V 5V5

Canada

Phone: +1 450-424-0288

T/F: +1 888-453-0311

Email : info@amysystems.com