

ALLTRACK SERIES

A NEW GENERATION



 **AMY**
SYSTEMS

- www.amysystems.com

ALLTRACK SERIES

GC3

- Gravity Compensation
- Gravity Control
- Ground Compensation

Dual Stage Terrain Dampening Suspension

Stage 1 – Base

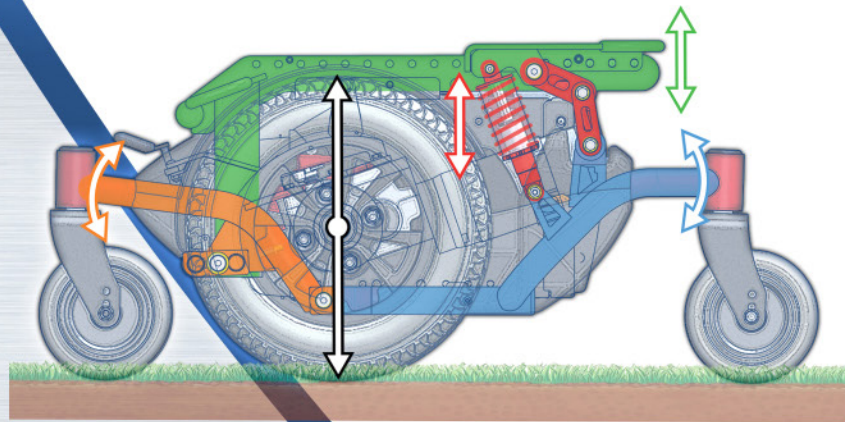
(6-wheel independent suspension)

- 6-wheel independent suspension
- Multiple Pivot Points
- Stable Geometric Design without a mechanical anti pitch system
- Independent wheel movement
- Free vertical movement of drive wheel
- Exceptional Traction

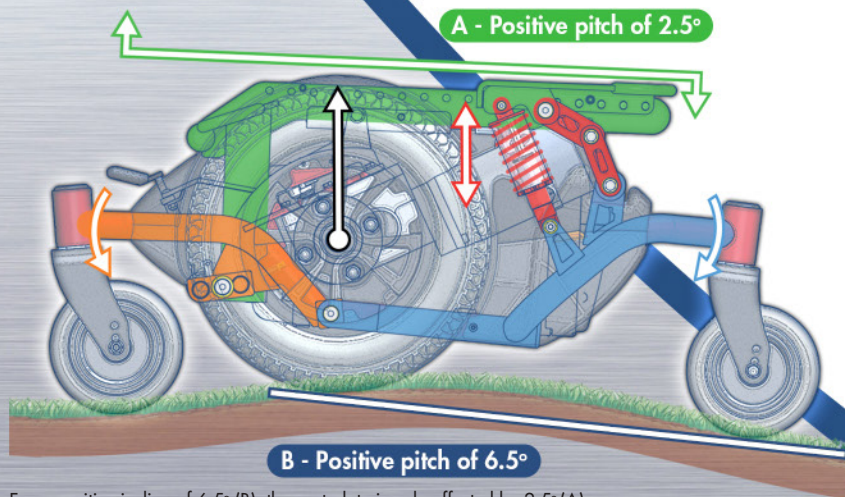
Stage 2 – Seat

(Seat Suspension)

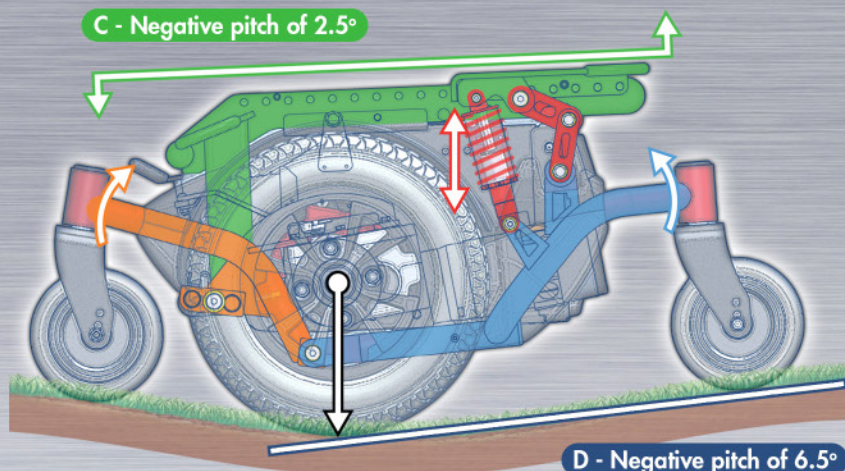
- 2.6 to 1 Pitch Dampening ratio
(for every $\pm 2.6^\circ$ of terrain angle, the seat angle only moves by $\pm 1^\circ$)
- Unique Direct vertical seat suspension
- Stability and comfort reduces rider fatigue
(Stable and Smooth ride may require less postural correction)
- Controlled weight distribution



Normal view on a flat surface



For a positive incline of 6.5° (B), the seat plate is only affected by 2.5° (A). The articulation of the 6 wheels minimizes the effect on the seat and user.



For a negative slope of -6.5° (D), the seat plate is only affected by -2.5° (C). The articulation of the 6 wheels minimizes the effect on the seat and user.



For more details & information on our GC3 Dual suspension system, please visit our web page at :

www.amysystems.com

SERIES ALLTRACK R HYBRID

Hybrid drive-wheel technology

Stability, Speed, Maneuverability

NO COMPROMISE!



Overview

The Alltrack R Series is a unique Hybrid drive power wheelchair that has become an excellent choice for active people who like to spend time outdoors while still navigating comfortably indoors. Why is it a Hybrid? The Alltrack R series is Hybrid because it combines the best features from both mid-wheel and rear-wheel drive models and packs it all into one wheelchair. It takes the anterior and posterior stability, short footprint and tight turning radius at only 21.75" (550 mm) from the mid-wheel platform. It also has great outdoor performance, high speed capabilities and the directional stability that requires less steering correction which comes from the rear-wheel drive platform. Make no mistake about it, this unique Hybrid design is unlike any other power wheelchair in the industry as it offers enhanced comfort for all types of users with its dual suspension system. All of these features are packed into a single well-balanced and refined product which presents itself as the only option of its kind in the industry. Its unique interactive 6-wheel suspension and seat suspension together enhance the stability, mobility and comfort for the user like no other power wheelchair on the market.



Hybrid Technology

- Speed, stability and comfort like a RWD
- Less steer correction for outdoor driving
- Compact footprint and tight turning radius of 21.75" (550 mm) like a MWD
- Intuitive to Drive
- NOTHING ELSE LIKE IT!

Technical Specifications

Configuration	Hybrid drive-wheel
HCPCS codes	K0848, K0856, K0861, K0850, K0858, K0862
Suspension system	GC3 (dual stage)
Ground clearance	3.5" (90 mm)
Base width	23.375" (595 mm) or 25.375" (645 mm)
Base length	35.875" (910 mm)
Turning radius	21.75" (550 mm)
Weight capacity	0-300 lbs (0-136 kg) (Standard) / 301-400 lbs (136-180 kg) (Heavy-duty)
Motor options (Maximum speed)	4-pole German 5.9 MPH (9.5 kmh) / 6.5 MPH (10.5 kmh) / 8.5 MPH (14 kmh)
Transport option	4 point brackets (Standard)
Battery type	Group 22NF or Group 24
Battery charger	8A, off board
Electronics (PG Drives)	VR2 (90 Amps), RNET (90 or 120 Amps)
Available with assistive driving package	Yes (Smart-Track technology)
Available with specialty controls	Yes (Switch-it, Stealth, ASL)
Fully modular rehab seat	Adjustable from 15" to 24" (380 mm to 610 mm) wide
Power seating options	Yes (custom available)
Seat to floor height range (with power tilt or seat lift)	16" to 19.25" (405 mm to 490 mm)
Seat to floor height range (with combo power tilt and seat lift)	18.25" or 19" (465 mm to 485 mm)

ALLTRACK M SERIES

Overview

The Alltrack M Series is a mid-wheel drive power wheelchair with a standard weight capacity of 300 lbs (136 kg) with an HD option of up to 450 lbs (205 kg). It is ideal for an active user sharing their time between indoor and outdoor activities. This Mid-Wheel Drive power wheelchair allows the user to easily maneuver over day to day obstacles while providing unsurpassed stability provided by its suspension and exclusive 8" (205 mm) front casters (optional). It features a short turning radius, adjustable rehab seating, low seat to floor height down to 15.75" (400 mm), PG Drives electronics and 4-Pole 5.9 mph (9.5 kmh) or 6.5 mph (10.5 kmh) high speed German motors. As part of the Alltrack family, it also comes with the Advanced Geometric Design (A.G.D) with its GC3 technology that enhances the stability, mobility and comfort for the user. The Alltrack M has a full list of options such as a 50° power tilt, power recline with shear reduction, 11" (280 mm) power elevating seat, power elevating & articulating legrests or foot platform, SMARTTRACK™ (assistive driving package) and offers exceptional performance with specialty controls. Custom options are available (contact CSR for details).



Tilt / Recline

(Power center mount)



Elevate



Technical Specifications

Configuration	Mid-wheel drive
HCPCS codes	K0848, K0856, K0861, K0850, K0858, K0862
Suspension system	GC3 (dual stage)
Ground clearance	3.5" (90 mm)
Base width	23.375" (595 mm) or 25.375" (645 mm)
Base length	35.125" (890 mm)
Turning radius	20" (510 mm)
Weight capacity	0-300 lbs (0-136 kg) (Std) / 301-450 lbs (136-205 kg) (Hd)
Motor options (Maximum speed)	4-pole German 5.4 MPH (9 kmh) / 5.9 MPH (9.5 kmh) / 6.5 MPH (10.5 kmh)
Transport option	4 point brackets (Standard)
Battery type	Group 22NF or Group 24
Battery charger	8A, off board
Electronics (PG Drives)	VR2 (90 Amps), RNET (90 or 120 Amps)
Available with assistive driving package	Yes (Smart-Track technology)
Available with specialty controls	Yes (Switch-it, Stealth, ASL)
Fully modular rehab seat	Adjustable from 15" to 24" (380 mm to 610 mm) wide
Power seating options	Yes (custom available)
Seat to floor height range (with power tilt or seat lift)	15.75" to 19" (400 mm to 485 mm)
Seat to floor height range (with combo power tilt and seat lift)	18" (455 mm) or 18.75" (475 mm)

ALLTRACK P SERIES

Overview

The Alltrack P Series is a Pediatric configuration that has the option of being placed on either one of our Alltrack M mid-wheel or Alltrack R Hybrid bases. It is ideal for the most active kids sharing their time between indoor and outdoor activities. Whether it's for hanging out with friends outside, playing sports, riding around the house or at school, nothing will get in its way. The Alltrack P Series is truly a modular power wheelchair that can be equipped from the most basic configuration to the most complex. On both mid and Hybrid drive configurations, the interactive 6-wheel suspension along with the seat suspension both enhance the stability, mobility and comfort for all children riding in an Alltrack P Series.



Tilt



Technical Specifications

Configuration	Pediatric mid or Hybrid drive
HCPCS codes	K0848, K0856, K0861
Suspension system	GC3 (dual stage)
Ground clearance	3" (75 mm)
Base width	23.375" (595 mm)
Base length	35.125" (890 mm) (Mid frame) / 35.875" (910 mm) (Hybrid frame)
Turning radius	20" (510 mm) (Mid frame) / 21.75" (550 mm) (Hybrid frame)
Weight capacity	0-300 lbs (0-136 kg) (Standard)
Motor options (Maximum speed)	4-pole German 5.9 MPH (9.5 kmh) / 6.5 MPH (10.5 kmh) / 8.5 MPH (14 kmh)
Transport option	4 point brackets (Standard)
Battery type	Group 22NF
Battery charger	8A, off board
Electronics (PG Drives)	VR2 (90 Amps), RNET (90 or 120 Amps)
Available with assistive driving package	Yes (Smart-Track technology)
Available with specialty controls	Yes (Switch-it, Stealth, ASL)
Fully modular rehab seat	Adjustable from 11" to 20" (280 mm to 510 mm) wide
Power seating options	Yes (custom available)
Seat to floor height range (with power tilt or seat lift)	See Alltrack M or R series for specs
Seat to floor height range (with combo power tilt and seat lift)	

New Shroud (for non-reclining backs)



ALLTRACK HD SERIES

Overview

The Alltrack HD Series is a versatile, very heavy-duty mid-wheel drive power wheelchair with a standard weight capacity of 550 lbs (250 kg). This model is ideal for people sharing their time between indoor and outdoor activities as it allows for easy maneuvering over routine obstacles. The Alltrack HD is no exception to any other Alltrack as its interactive 6-wheel suspension along with the seat suspension both enhance the stability, mobility and comfort for all users. It is the only bariatric power wheelchair with a suspension of its kind and it comes with an extremely short turning radius of 20.5" (520 mm).



Tilt (45° and 550 lbs (250 kg) weight capacity)



New Shroud (for reclining backs)



Technical Specifications

Configuration	Bariatric mid-wheel drive
HCPCS codes	K0852, K0860, K0863
Suspension system	GC3 (dual stage)
Ground clearance	3.5" (90 mm)
Base width	27.375" (695 mm)
Base length	35.125" (890 mm)
Turning radius	20.5" (520 mm)
Weight capacity	550 lbs (250 kg)
Motor options (Maximum speed)	4-pole German 5.4 MPH (9 kmh)
Transport option	4 point brackets (Standard)
Battery type	Group 24
Battery charger	8A, off board
Electronics (PG Drives)	VR2 (90 Amps), RNET (90 or 120 Amps)
Available with assistive driving package	Yes (Smart-Track technology)
Available with specialty controls	Yes (Switch-it, Stealth, ASL)
Fully modular rehab seat	Adjustable from 20" to 28" (510 mm to 710 mm) wide (custom available)
Power seating options	Yes (custom available)
Seat to floor height range (with power tilt or seat lift)	17.25" to 19.25" (440 mm to 490 mm)
Seat to floor height range (with combo power tilt and seat lift)	19.25" (490 mm)

ALLTRACK SERIES

Wide range of options



- A Self Leveling Cup Holder
- B Cell phone & tablet supports
- C PG Drives electronics
- D Multi-axis headrest mount
- E Hip & thigh supports
- F Lateral Trunk Supports Adjustable in Height, depth and Laterally
- G Swing-Away Mount Adjustable in Height, depth, angle and laterally



NXT Back \ NEW



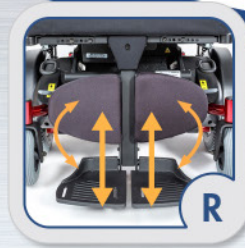
- H NXT Fixed height thoracic contour AC back (E2620/E2621) **NEW**
- I LED Light Package. Includes Front beams, side flashers and rear multi function light
- J NXT Bio FIT seat cushion (E2607) **NEW**



NXT Seat Cushion \ NEW



- K Transport brackets (std)
- L 14" x 4" (355 mm x 100 mm) drive wheels
- M 90° Power elevating center mount
- N Dual Post armrests
- O Power Elevating & Articulating Leg rests
- P Reliable 4-Pole German Motors
- Q Cantilever Armrest Swings away at a 5° angle
- R 90° fixed center mount. Independent height and angle adjustable from 95° (-5°) to 70°



ALLTRACK SERIES



Life is unpredictable...
your power wheelchair
shouldn't be



Phone: 888-453-0311 / Fax : 877-501-8458
info@amysystems.com / www.amysystems.com

