



Aquatec[®] Ocean / Ocean XL

- EN Shower and Toilet Commode**
User Manual
- DE Dusch- und Toilettenrollstuhl**
Gebrauchsanweisung
- FR Fauteuil/chaise pour douche/toilettes**
Mode d'emploi
- IT Carrozzina da doccia e WC**
Istruzioni per l'uso
- ES Silla de ducha y WC**
Manual de instrucciones
- NL Douche- en toiletrolstoel**
Gebruiksaanwijzing
- PT Cadeira de banho**
Manual de instruções



This manual must be given to the user of the product.
Before using the product, read this manual and save it
for future reference!

AQUATEC[®]



Yes, you can.

- EN:** *Complies with Directive 93/42/EEC concerning medical devices.
The launch date of this product is stated in the EC declaration of conformity.*
- DE:** *Konform mit Richtlinie 93/42/EWG für Medizinprodukte.
Der Markteinführungszeitpunkt für dieses Produkt ist in der EG-Konformitätserklärung angegeben.*
- FR:** *Conforme à la directive 93/42/CEE relative aux dispositifs médicaux.
La date de lancement de ce produit est indiquée dans la déclaration CE de conformité.*
- IT:** *Conforme alla direttiva 93/42/CEE relativa ai prodotti medicali.
La data di lancio di questo prodotto è indicata nella dichiarazione di conformità CE.*
- ES:** *Cumple con la directiva 93/42/CEE relativa a los productos sanitarios.
La fecha de lanzamiento de este producto figura en la declaración CE de conformidad.*
- NL:** *Conform richtlijn 93/42/EEG voor medische hulpmiddelen.
De datum waarop dit product op de markt wordt gebracht, staat vermeld in de EG-verklaring van overeenstemming.*
- PT:** *Em conformidade com a directiva 93/42/CEE do Conselho relativa aos dispositivos médicos.
A data de lançamento deste produto é indicada na declaração CE de conformidade*

© AQUATEC Operations GmbH

Every effort has been made to ensure that the contents of this publication are fully up-to-date at the time of going to print. As part of its ongoing improvement of products, AQUATEC Operations GmbH reserves the right to modify existing models at any time. AQUATEC® dealers will be notified of any such modifications. Any use of this publication, or of parts thereof, as well as any reproduction of images, must have the written consent of AQUATEC Operations GmbH.

1	General	4	7	Maintenance	13
1.1	General information	4	7.1	Maintenance and inspection	13
1.2	Symbols	4	7.2	Cleaning and disinfection	13
1.3	Warranty	4	7.3	Changing the wheels	14
1.4	Intended use	4	8	After use	14
1.5	Service life	4	8.1	Storage	14
2	Safety	5	8.2	Re-use	14
2.1	Safety information	5	8.3	Disposal	14
3	Description	5	9	Troubleshooting	15
3.1	Components	5	9.1	Identifying and repairing faults	15
3.2	Identification label	6	10	Technical data	16
4	Assembly and installation	6	10.1	Dimensions and weight	16
4.1	Safety information	6	10.2	Materials	16
4.2	Assembling the shower and toilet commode	6			
4.3	Fitting/removing the self-propelling wheels (optional)	10			
5	Usage	11			
5.1	Safety information	11			
5.2	Swiveling the armrests	12			
5.3	Swiveling the footrests	12			
5.4	Removing/fitting a heel strap	12			
5.5	Removing/fitting the seat plate	12			
6	Transport	12			
6.1	Safety information	12			

I General

I.1 General information

This user manual contains information and notes on the proper and safe use of the shower and toilet commode.

Please read this user manual carefully before using the product.

The position specifications (A, B, C, etc.) in the handling instructions always refer to the preceding figure.

I.2 Symbols

Warnings

In this User Manual warnings are indicated by symbols. The warning symbols are accompanied by a heading that indicates the severity of the danger.



WARNING

Indicates a hazardous situation that could result in serious injury or death if it is not avoided.



CAUTION

Indicates a hazardous situation that could result in minor or slight injury if it is not avoided.



IMPORTANT

Indicates a hazardous situation that could result in damage to property if it is not avoided.

Tips and recommendations



Gives useful tips, recommendations and information for efficient, trouble-free use.

I.3 Warranty

We provide a manufacturer's warranty for the product in accordance with our General Terms and Conditions of Business. Guarantee claims can only be made through the relevant dealer.

Quality

Quality is of the utmost importance for our company; all processes are based on ISO 9001 and ISO 13485.

The product meets the requirements of DIN EN 12182.

Should you require further information, please contact the relevant INVACARE® subsidiary in your country (contact addresses are provided on the back of this user manual).

I.4 Intended use

The shower and toilet commode is designed exclusively as an aid for showering or bathing, going to the toilet or for transferring patients while indoors. Do not use for any other purpose.



WARNING Risk of injury

- Never use the product as an aid for getting into or out of a bathtub, for climbing or descending, as a support or for similar purposes.
- Do not use the product outdoors.

As a toilet commode, you can use the product over a standard toilet or independently with the commode pan (optional).

The shower and toilet commode may only be used as a bathing stool in a pool, if the pool does not contain salt water and an attendant is present at all times.

Temperature for use: 10 - 65 °C

I.5 Service life

The expected service life of this product is three years when used in accordance with safety instructions and intended use, stated in this manual. The effective service life can vary according to frequency and intensity of use.

2 Safety

2.1 Safety information



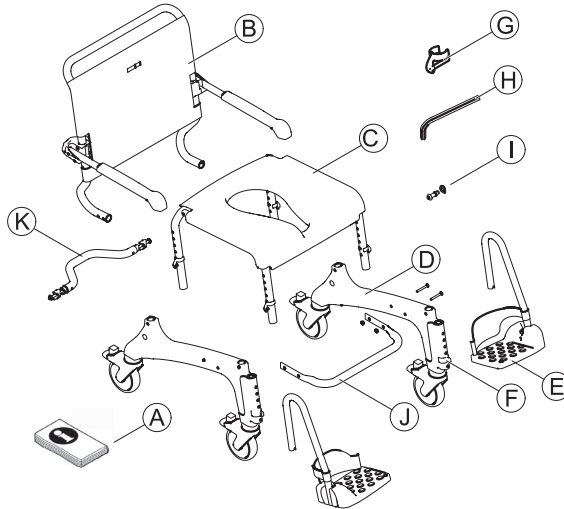
WARNING Risk of injury

- ▶ Do not use a faulty product.
- ▶ In the event of a malfunction, contact a dealer immediately.
- ▶ Do not make any unauthorized changes or alterations to the product.
- ▶ Only use accessories intended for this product.

3 Description

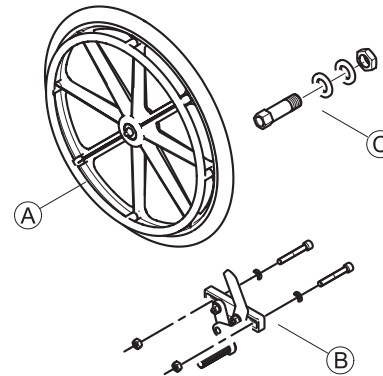
3.1 Components

The following components are included within the scope of delivery of the AQUATEC® Ocean/ XL:



Ⓐ	User manual
Ⓑ	Backrest with backrest cover and armrests
Ⓒ	Seat frame with seat plate
Ⓓ	Side parts with wheels (2 x)
Ⓔ	Footrests with heel strap (2 x)
Ⓕ	Clips (2 x) for footrest (inserted)
Ⓖ	Clips (4 x) for seat frame
Ⓗ	Allen key AF 4
Ⓘ	Screws (4 x) and curved washers (4 x)
Ⓙ	Base stabilization tube with screws (4 x) and nuts (4 x) - Ocean XL only
Ⓚ	Stabilization tube with spacers, screws and nuts

The following parts are included within the scope of delivery of the self-propelling wheels with parking brake:

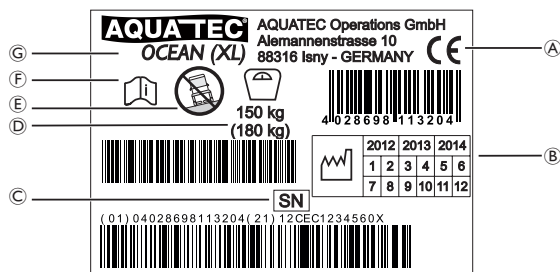


Ⓐ	Self-propelling wheels (2 x)
Ⓑ	Parking brakes (2 x)
Ⓒ	Hubs (2 x)

Please note the change in dimensions when the self-propelling wheels are fitted. The details are provided in the technical data.

3.2 Identification label

The identification label also contains important information:



Ⓐ	Conformity mark
Ⓑ	Product timeframe
Ⓒ	Serial device number
Ⓓ	Load capacity
Ⓔ	Note (use only on flat surfaces)
Ⓕ	Note (observe accompanying documents)
Ⓖ	Device designation



The identification label is positioned on the inside of the right-hand side part.

4 Assembly and installation

4.1 Safety information



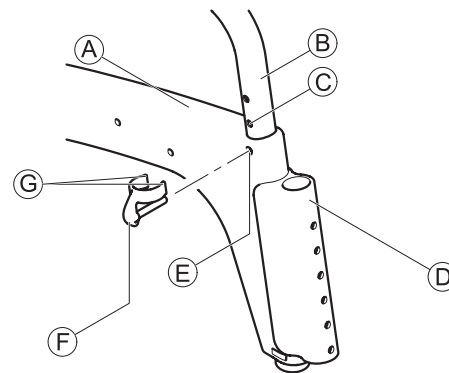
IMPORTANT

- ▶ Check the parts for transport damage before commissioning and contact the dealer if required.
- ▶ Ensure during assembly that the parts are positioned correctly with respect to one another.

4.2 Assembling the shower and toilet commode

This section describes the assembly. Disassembly takes place in the reverse order.

Fitting the side parts



1. Remove the enclosed clips Ⓕ from the bag.
2. Place the seat frame on its side.



IMPORTANT

- ▶ Push the side part evenly onto the frame and do not twist.
- ▶ Secure the side part at the same height, front and rear.

3. Push the side part (A) with the guides for the footrests (D) forwards on the seat frame (B).
4. Bring the clip mounts (E) on the front and back of the side part in line with a hole in the seat frame (C).
5. Insert the clips (F) from the outside into the side part, until both ends (G) enclose the seat frame tube (B).

! IMPORTANT

- Ensure that the left and the right side parts are set to the same height.
6. Turn the seat frame and repeat the procedure on the second side part.
 7. Set the seat frame with the fitted side parts on its wheels.

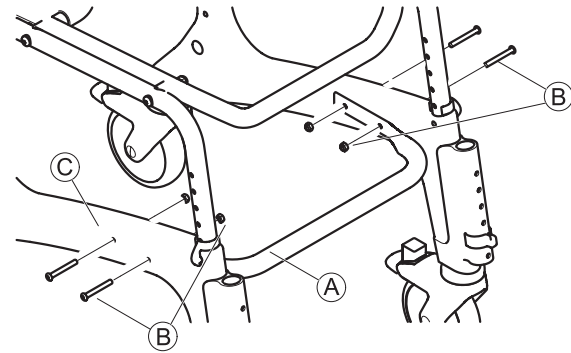
Adjusting the seat height

! IMPORTANT

The seat height is to be adapted to the user. It is generally correctly adjusted if the user can sit on the shower and toilet commode with both feet resting on the floor.

- Change the height to the same level on both sides.
 - Do not adjust the seat height while there is someone sitting on the shower and toilet commode.
1. Raise the shower and toilet commode slightly on one side by the seat frame (B).
 2. Remove both clips (F) on this side.
 3. Pull the seat frame out of the side part (A) or push it into the side part to adjust the seat height.
 4. Push both clips back in completely.
 5. Raise the other side and set to the same height as described.

Fitting the base stabilization tube (Ocean XL only)



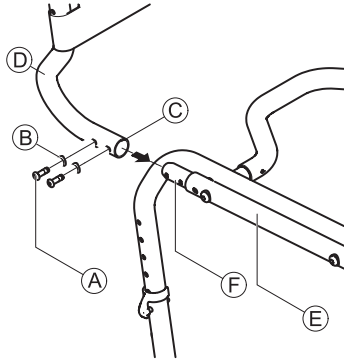
1. Fit the base stabilization tube (A) using the screws and nuts (B) supplied between the side parts (C).

Fitting the backrest

1. Secure all four wheels. To do this, press down on the red foot lever on the wheels.

! IMPORTANT

- Ensure that the armrests point forward when in the unfolded position.



2. Insert the backrest ④ from behind into the seat frame ⑤, until the collar ③ abuts the seat frame tube ⑥.

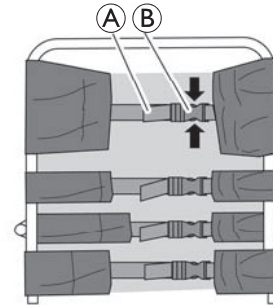
! IMPORTANT

- The rounded part of the curved washers must sit on the seat frame tube.
- Firmly tighten the screws using the Allen key supplied. The torque is 5 Nm.
- Check the screws regularly to ensure they are sitting securely.

3. Position a curved washer ② on each screw ① and secure the backrest, on the left and right, with two screws on each side.

Adjusting the backrest cover

The tension of the backrest can be adjusted as desired.



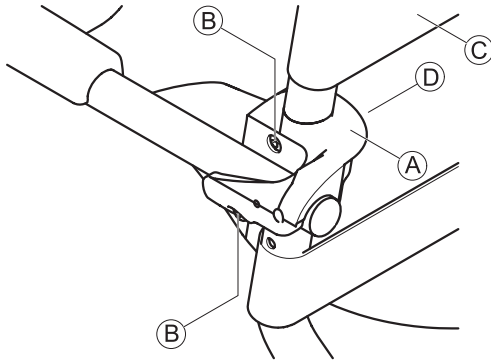
Tightening

1. Pull the belts ① of the backrest cover tighter.

Loosening

1. Open the buckles ② by squeezing the retaining lugs together (arrows).
2. Push the belts back a little through the buckle.
3. Close the belt buckles.
4. Retighten the belts gently.

Adjusting the height of the armrests



! IMPORTANT

- Adjust the height of the armrests to suit the user.
- Change the height of the armrests evenly on both sides.
- Set the height of the right and left armrest in the exact same manner.

1. On the backrest cover, open the buckle of the belt that passes on the inside of the backrest frame.
2. On the backrest cover, open the buckle of the belt © that runs above the armrest.
3. Pass this belt on the inside of the backrest frame and reclose.



The nuts are inserted loosely in the retaining clamp and can fall out.

4. Unscrew the screws (B) of the armrest bracket (A) using the Allen key supplied.
5. Remove the securing clamp (D) with the nuts from the inside of the backrest frame.

6. Remove the backrest bracket (A) with the armrest and move it upwards.



The smaller hole serves to fix the retaining clamp.

7. Insert the screws in the armrest bracket and guide them through the holes in the backrest frame.
8. If required, put the nuts back into the retaining clamp.
9. Place the retaining clamp on the backrest frame so that the fixing on the retaining clamp projects into the smaller hole.
10. Turn the screws in the nuts and tighten.
11. Pass the belt of the backrest cover that is still open on the outside of the backrest frame, close and tighten all belts.



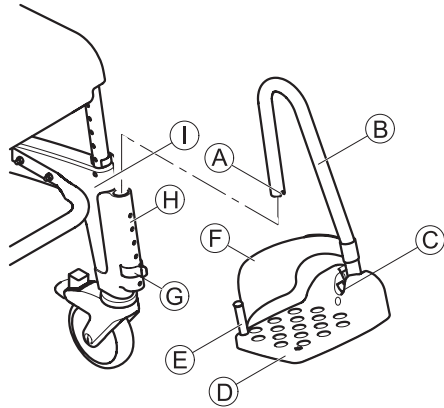
IMPORTANT

- The armrests are lowered the same procedure.
- When converting to the lower position, the belt that lies beneath the armrest must be opened and passed inside the backrest frame.

Fitting footrests

! IMPORTANT

- The assembly is the same for the right and left footrest.



1. Push the footrest **B** with the footplate **D** into the guide **H** at the front of the side part **I** until the groove **A** engages with the pin of the clip **G**. The footrest can no longer be turned to the side.

Adjusting the height of the footrests

1. Pull the footrest **B** up a little.
2. Pull out the clip **G** and push it back in in the desired position. If required, pull out the footrest a little further to do this.
3. Push the footrest downwards until the groove **A** engages with the pin of the clip.
4. Set the second footrest to the desired height as described.

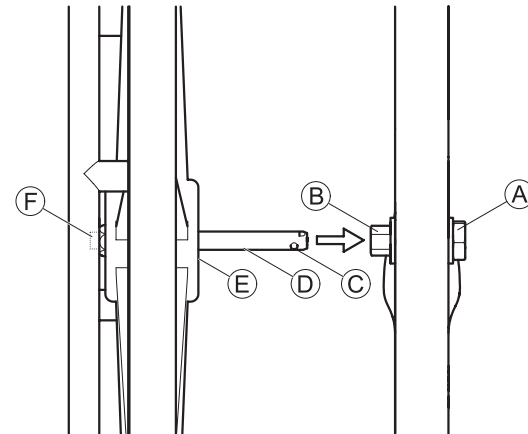
Adjusting the inclination of the footplates

! IMPORTANT

- The inclination of the footplates is continuously adjustable.
- Set the right and left footrest in the exact same way.

1. Loosen the Allen head screw **C** on the footplate using a size 4 Allen key.
2. Turn the footplate **D** to the desired position.
3. Retighten the Allen head screw.

4.3 Fitting/removing the self-propelling wheels (optional)



**IMPORTANT**

- When the self-propelling wheels are fitted, the rear wheels must remain locked.
- The assembly is the same for the right and left self-propelling wheel.
- The hubs and the parking brakes for the self-propelling wheels must be fitted by a dealer. Assembly is described in the assembly instructions „Assembling the hubs and brakes for Aquatec® Ocean 24“ wheels“.

1. Align all four wheels in the driving direction.
2. Lock all wheels.
3. Push the axle ① on the self-propelling wheel inwards. (The handrims project outwards.)
4. Press and hold the button ② on the outside of the axle. This releases the retaining balls ③ at the end of the axle.
5. Raise the shower and toilet commode a little.
6. Insert the axle into the hub ④ and push in the self-propelling wheel onto the axle until the end stop ⑤.
7. Release the button.
8. Press the retaining balls outward so that they are behind the hex nut ⑥.

Remove the wheels using the same procedure in the reverse order.

5 Usage

5.1 Safety information

**WARNING**

- Lock the parking brakes in the park position.
- Only use the shower and toilet commode on a flat surface and only indoors.
- Observe the specifications on the identification label. Do not overload the shower and toilet commode.
- Always perform a visual inspection of the product for external damage before each use.
- Do not use a faulty product.

**WARNING** Risk of slipping and rolling

- Ensure before using that the seat surface is securely fixed to the seat frame.
- Lock all four wheels using the red foot levers before sitting into the commode or standing up from it, as well as in the parking position. Apply the parking brake when the self-propelling wheels are fitted (optional).

**WARNING** Risk of tipping

- Swivel the footrests to the side before sitting down or standing up or fold the footplates up.
- Do not stand on the footrests.

**CAUTION** Risk of pinching

- When using the self-propelling wheels (optional), do not insert your fingers between the spokes or the rotating self-propelling wheels and the seat frame while moving.

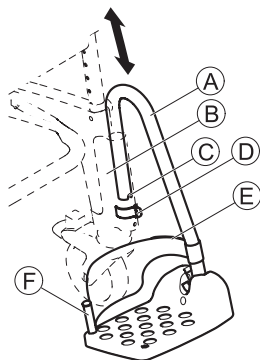
5.2 Swiveling the armrests



CAUTION Risk of getting fingers caught in the flap mechanism

- ▶ Do not grip the joint when folding the armrests up or down.
- ▶ Make sure that no parts are caught in the mechanism.
- ▶ Do not grip between the armrest and the backrests when folding up.

5.3 Swiveling the footrests



Entry position/exit position:

1. Pull the footrest (A) in the guide (B) a little upwards, until the groove (C) no longer engages in the pin of the clip (D).
2. Swivel the footrest to the side.

Driving position:



CAUTION Risk of accident due to loose footrest

- ▶ Fix footrests in the driving position.

1. Turn the footrest (A) inwards.

2. Push the footrest downward, until the groove (C) engages in the pin of the clip (D).

5.4 Removing/fitting a heel strap

1. Open the Velcro® strip (E) on the heel strap.
2. Remove the screw (F) from the underside of the footplate.
3. Remove the heel strap from the flexible plastic pin.

Attach the strap using the same procedure in the reverse order.



IMPORTANT

When installing ensure that the Velcro® strip of the heel strap is facing backwards.

5.5 Removing/fitting the seat plate

Removing:

1. Pull the seat plate upwards on both sides.

Fitting:



CAUTION Risk of getting fingers caught

▶ Do not insert fingers between the seat surface and the seat frame when pressing down on the seat plate.

1. Place the seat plate on the seat frame with the cutout to the front.
2. Push the seat plate backwards as far as it will go.
3. With your hand flat, press the seat plate down at the sides and then at the front and back until the seat plate snaps into the seat frame.

6 Transport

6.1 Safety information



The product can be dismantled for transport into the parts of the scope of delivery (Section 3.1 Components).

▶ Disassemble the product, see Section 4 „Assembly and installation“.

7 Maintenance

7.1 Maintenance and inspection

If the cleaning and safety notices provided are observed, the product will be maintenance free.

- ▶ Check product regularly for damage and to ensure that it is securely assembled.
- ▶ In the event of damage and/or likely repairs, contact the dealer immediately.

The product must be checked by an authorized dealer before every re-use or after 24 months at the latest (see Manufacturer's recommendation for rehab products of the SPECTARIS industrial association).

7.2 Cleaning and disinfection

The product can be cleaned and disinfected using commercially available agents.

! IMPORTANT

In the sensitive area of the bathroom, hygiene is particularly important.

- ▶ Keep the product clean at all times and wash it regularly.

- ▶ Disinfect the product by wiping down all generally accessible surfaces with disinfectant (after disassembling the product, if possible).

! IMPORTANT

All cleaning agents and disinfectants used must be effective, compatible with one another and must protect the materials they are used to clean. For further information on decontamination in Healthcare Environments, please refer to 'The National Institute for Clinical Excellence' guidelines on Infection Control www.nice.org.uk/CG002 and your local infection control policy.

- ▶ Clean by hand.
- ▶ Clean without scouring agent.

Cleaning in a domestic environment

! IMPORTANT Risk of damage

- ▶ Do not disassemble the brackets for the accessories.

1. Remove any accessories fitted.
2. Pull the footrests out of the guides.
3. Remove the seat plate and the backrest cover.
4. Remove the side parts, see Section 4 „Assembly and installation“.
5. Reinsert the clips in the seat frame immediately so that they are not misplaced.
6. Wash the individual parts using a cloth or brush and commercially available cleaning agents and disinfectants.
7. Rinse the parts with warm water.
8. Dry the parts with a cloth.
9. Re-assemble the product, see Section 4 „Assembly and installation“.

Cleaning in a hospital environment



CAUTION Risk of burning your skin

Allow the product to cool after cleaning in the autoclave.

1. In addition to cleaning as described above, clean the product at regular intervals at 85 °C for 3 minutes in the autoclave.

Cleaning the backrest cover (optional)

1. Remove the backrest cover.
2. Wash the cover in a washing machine at max. 60 °C using a mild detergent.

! IMPORTANT Risk of damage

- ▶ Washing at high temperatures can cause shrinkage.
- ▶ Do not dry covers in the tumble dryer.

7.3 Changing the wheels



WARNING Risk of accident due to incorrectly fitted wheels.

The wheels must be replaced by a specialist dealer.

8 After use

8.1 Storage



IMPORTANT Risk of damage

- Store the product in a dry area at a temperature of between 0 °C and 40 °C, air pressure of 860 - 1060 hPa and humidity of 30 - 75%.
- Do not store the product near heat sources.
- Keep the product out of direct sunlight.

8.2 Re-use

The product is suitable for repeated use. The number of times it can be used depends on how often and in which way the product is used. Before reuse, clean and disinfect the product thoroughly and check the safety functions, and reset if necessary.

8.3 Disposal

The disposal and recycling of used devices and packaging must comply with the applicable legal regulations.

Please refer to the manufacturer for details of the proper and complete disposal.

9 Troubleshooting

9.1 Identifying and repairing faults

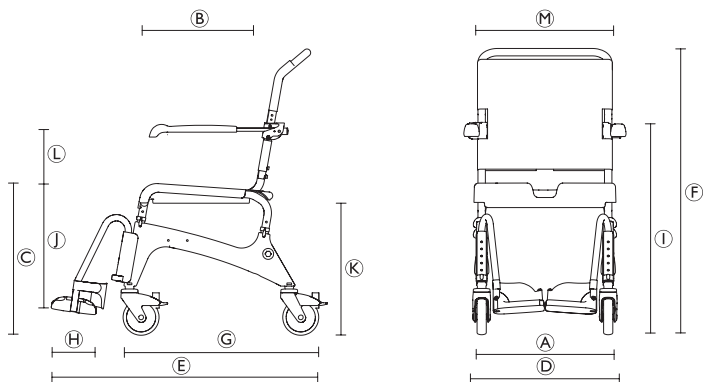


The following table provides information on malfunctions and their possible causes.

If you cannot correct the malfunction using the remedies named, please contact your dealer directly.

Fault	Possible cause	Remedy
Adjusting the seat height is difficult due to stiffness	Deposits between the seat frame and seat part	▸ Disassemble product into the parts of the scope of delivery and clean thoroughly.
Wheel is not turning at all or only with difficulty.	Dirt between the fork and the rim	▸ Clean wheels thoroughly.
It is difficult to turn the footrests	Deposits in the guides	▸ Remove footrests and clean thoroughly.
Parking brake of the self-propelling wheels (optional) does not engage	Parking brake incorrectly adjusted	▸ Adjust the parking brake

10 Technical data



10.1 Dimensions and weight

D	Total width (Ocean)	560 mm
	Total width (Ocean XL)	640 mm
	Total width with self-propelling wheels	675 mm
E	Depth	934 mm
	Depth with self-propelling wheels	1060 mm
G	Depth without footrests	700 mm
H	Depth of footplate	155 mm
F	Height	964 - 1094 mm
I	Height to armrests	680 - 850 mm
J	Height from footrests to seat	255 - 495 mm
A	Seat width	480 mm
B	Seat depth	450 mm

C	Seat height	477 - 600 mm
	Min. width between the side parts	approx. 381 mm
K	Min. distance between the floor and the bracket for the commode pan	approx. 408 mm
	Weight	approx. 15 kg
	Load capacity (Ocean)	150 kg
	Load capacity (Ocean XL)	180 kg

10.2 Materials

Frame	Stainless steel, powder-coated
Seat plate	Polypropylene
Backrest cover	Nylon, PVC coated
Footrests	Polypropylene, glass fiber reinforced
Side parts	Polypropylene, glass fiber reinforced
Armrests	Polypropylene
Wheels	Plastics and stainless steel

1	Allgemeines	18	7	Wartung	27
1.1	Allgemeine Informationen	18	7.1	Wartung und Inspektion	27
1.2	Symbole	18	7.2	Reinigung und Desinfektion	27
1.3	Garantie	18	7.3	Rollen wechseln	28
1.4	Bestimmungsgemäße Verwendung	18	8	Nach dem Gebrauch	28
1.5	Produktlebensdauer	18	8.1	Lagerung	28
2	Sicherheit	19	8.2	Wiederverwendung	28
2.1	Sicherheitsinformationen	19	8.3	Entsorgung	28
3	Beschreibung	19	9	Störungen beheben	29
3.1	Komponenten	19	9.1	Störungen erkennen und beheben	29
3.2	Typenschild	20	10	Technische Daten	30
4	Montage und Installation	20	10.1	Abmessungen und Gewicht	30
4.1	Sicherheitsinformationen	20	10.2	Materialien	30
4.2	Dusch- und Toilettenrollstuhl zusammenbauen	20			
4.3	Selbstfahrräder (Option) aufstecken/abnehmen	24			
5	Bedienung	25			
5.1	Sicherheitsinformationen	25			
5.2	Armlehnen schwenken	26			
5.3	Fußstützen schwenken	26			
5.4	Fersenband abnehmen/anbauen	26			
5.5	Sitzplatte abnehmen/aufstecken	26			
6	Transport	26			
6.1	Sicherheitsinformationen	26			

I Allgemeines

I.1 Allgemeine Informationen

In dieser Gebrauchsanweisung finden Sie Informationen und Hinweise darüber, wie Sie den Dusch- und Toilettenrollstuhl sicher und sachgerecht benutzen.

Lesen Sie diese Gebrauchsanweisung aufmerksam durch, bevor Sie das Produkt benutzen. Beachten Sie alle Hinweise, insbesondere die Sicherheitshinweise, und handeln Sie danach.

Die Positionsangaben (A, B, C, ...) in den Handlungsanweisungen beziehen sich immer auf die vorangestellte Grafik.

I.2 Symbole

Warnungen

Warnungen sind in dieser Gebrauchsanweisung mit Symbolen gekennzeichnet. Die Warnsymbole sind neben einer Überschrift abgebildet, die auf die Gefährlichkeit hinweist.



WARNUNG

Weist auf eine gefährliche Situation hin, die bei Nichtbeachtung zu schweren Verletzungen oder zum Tod führen kann.



VORSICHT

Weist auf eine gefährliche Situation hin, die bei Nichtbeachtung zu leichten Verletzungen führen kann.



WICHTIG

Weist auf eine gefährliche Situation hin, die bei Nichtbeachtung zu Sachschäden führen kann.

Tipps und Empfehlungen



Nützliche Tipps, Empfehlungen und Informationen für eine effiziente und reibungslose Verwendung.

I.3 Garantie

Wir gewähren für das Produkt eine Herstellergarantie gemäß unseren Allgemeinen Geschäftsbedingungen. Garantieansprüche können ausschließlich über den jeweiligen Fachhändler geltend gemacht werden.

Qualität

Qualität ist für das Unternehmen entscheidend, alle Abläufe sind nach den Normen ISO 9001 und ISO 13485 ausgerichtet.

Das Produkt entspricht den Anforderungen der Norm DIN EN 12182.

Bitte wenden sie sich für weitere Informationen an die entsprechende Invacare® -Niederlassung ihres Landes (Kontaktadressen finden sie auf der Rückseite dieser Gebrauchsanweisung).

I.4 Bestimmungsgemäße Verwendung

Der Dusch- und Toilettenrollstuhl ist ausschließlich als Hilfe beim Duschen oder Baden, beim Toilettengang oder für den Transfer im Innenbereich bestimmt. Jede weitere Verwendung ist nicht erlaubt.



WARNUNG Verletzungsgefahr

- Das Produkt niemals als Hilfe zum Ein- oder Aussteigen, zum Auf- oder Absteigen, als Unterlage oder zu ähnlichen Zwecken benutzen.
- Das Produkt nicht im Außenbereich benutzen.

Als Toilettenrollstuhl können Sie das Produkt über einer Standardtoilette oder eigenständig mit Toilettentopf (Option) verwenden.

Als Badestuhl in einem Pool dürfen Sie den Dusch- und Toilettenrollstuhl nur einsetzen, wenn der Pool kein Salzwasser enthält und ständig eine Aufsichtsperson anwesend ist.

Einsatztemperatur: 10 - 65 °C

I.5 Produktlebensdauer

Wenn das Produkt gemäß den Sicherheitsvorschriften bestimmungsgemäß verwendet wird, beträgt die zu erwartende Produktlebensdauer 5 Jahre. Die effektive Lebensdauer kann jedoch, abhängig von der Häufigkeit und Intensität des Gebrauchs, variieren.

2 Sicherheit

2.1 Sicherheitsinformationen



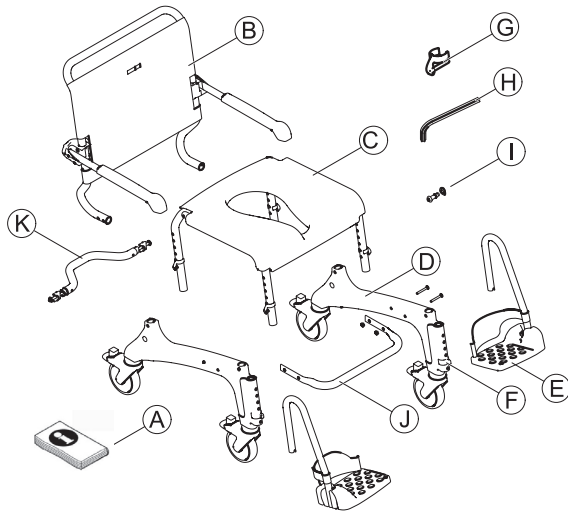
WARNUNG Verletzungsgefahr

- ▶ Defektes Produkt nicht verwenden.
- ▶ Bei Funktionsstörungen unverzüglich einen Fachhändler kontaktieren.
- ▶ Keine eigenmächtigen Veränderungen oder Umbauten am Produkt vornehmen.
- ▶ Nur Zubehör verwenden, das für dieses Produkt bestimmt ist.

3 Beschreibung

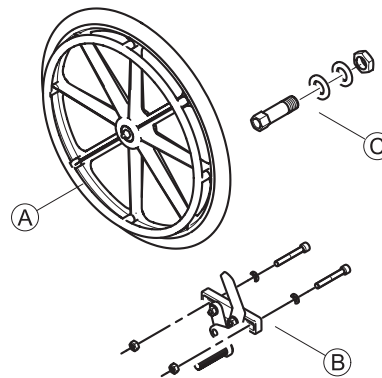
3.1 Komponenten

Im Lieferumfang des AQUATEC® Ocean / Ocean XL sind folgende Komponenten enthalten:



Ⓐ	Gebrauchsanweisung
Ⓑ	Rückenlehne mit Rückenlehnenbezug und Armlehnen
Ⓒ	Sitzgestell mit Sitzplatte
Ⓓ	Seitenteile mit Rollen (2 x)
Ⓔ	Fußstützen mit Fersenband (2 x)
Ⓕ	Klipps (2 x) für Fußstütze (eingesteckt)
Ⓖ	Klipps (4 x) für Sitzgestell
Ⓗ	Innensechskantschlüssel SW 4
Ⓘ	Schrauben (4 x) und gebogene Unterlegscheiben (4 x)
Ⓙ	Basis-Stabilisierungsrohr mit Schrauben (4 x) und Muttern (4 x) - nur bei Ocean XL
Ⓚ	Stabilisierungsrohr mit Zwischenstücken, Schrauben und Muttern

Im Lieferumfang der Selbstfahrräder mit Feststellbremse sind folgende Teile enthalten:

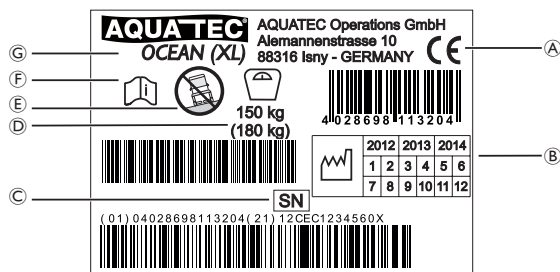


Ⓐ	Selbstfahrräder (2 x)
Ⓑ	Feststellbremse (2 x)
Ⓒ	Nabe (2 x)

Beachten Sie bitte die geänderten Abmessungen bei montierten Selbstfahrrädern. Die Angaben finden Sie in den technischen Daten.

3.2 Typenschild

Dem Typenschild können Sie wichtige Informationen entnehmen:



Ⓐ	Konformitätskennzeichen
Ⓑ	Produktionszeitraum
Ⓒ	Laufende Gerätenummer
Ⓓ	Belastbarkeit
Ⓔ	Hinweis (Benutzung nur auf ebenen Flächen)
Ⓕ	Hinweis (Begleitpapiere beachten)
Ⓖ	Gerätebezeichnung



Das Typenschild ist auf der Innenseite des rechten Seitenteils angebracht.

4 Montage und Installation

4.1 Sicherheitsinformationen



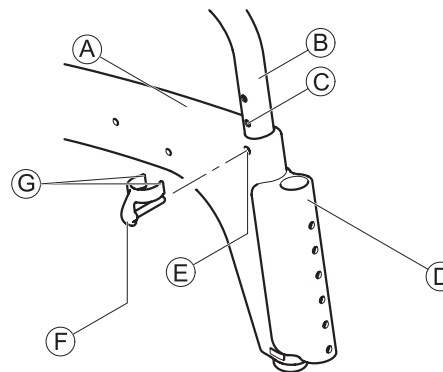
WICHTIG

- Vor der Inbetriebnahme die Teile auf Transportschäden prüfen und ggf. Fachhändler kontaktieren.
- Bei der Montage die richtige Lage der Teile zueinander beachten.

4.2 Dusch- und Toilettenrollstuhl zusammenbauen

In diesem Abschnitt ist der Zusammenbau beschrieben. Das Zerlegen erfolgt in umgekehrter Reihenfolge.

Seitenteile montieren



1. Die beiliegenden Klipps Ⓕ dem Beutel entnehmen.
2. Das Sitzgestell auf eine Seite legen.



WICHTIG

- Das Seitenteil gleichmäßig aufschieben und nicht verkanten.
- Das Seitenteil vorne und hinten in gleicher Höhe befestigen.

3. Das Seitenteil (A) mit den Führungen für die Fußstützen (D) nach vorne auf das Sitzgestell (B) aufchieben.
4. Die Klipp-Aufnahmen (E) vorne und hinten am Seitenteil mit einer Bohrung im Sitzgestell (C) in Übereinstimmung bringen.
5. Die Klipps (F) von außen in das Seitenteil einstecken, bis die beiden Nasen (G) das Sitzgestellrohr (B) umschließen.

! WICHTIG

- Sicherstellen, dass das linke und das rechte Seitenteil auf die gleiche Höhe eingestellt sind.

6. Das Sitzgestell umdrehen und das zweite Seitenteil in gleicher Weise montieren.
7. Das Sitzgestell mit den montierten Seitenteilen auf die Rollen stellen.

Sitzhöhe einstellen

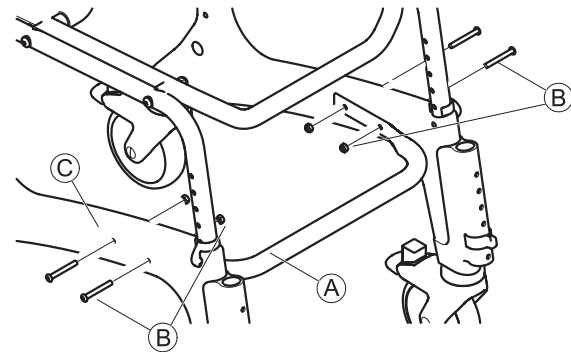
! WICHTIG

Die Sitzhöhe ist an den Benutzer anzupassen. Die Sitzhöhe ist in der Regel richtig eingestellt, wenn der Benutzer auf dem Dusch- und Toilettenrollstuhl sitzt und beide Füße den Boden berühren.

- Die Höhe auf beiden Seiten gleich verändern.
- Beim Einstellen der Sitzhöhe darf keine Person auf dem Dusch- und Toilettenrollstuhl sitzen.

1. Den Dusch- und Toilettenrollstuhl auf einer Seite am Sitzgestell (B) leicht anheben.
2. Beide Klipps (F) auf dieser Seite herausziehen.
3. Das Sitzgestell auf die gewünschte Sitzhöhe aus dem Seitenteil (A) herausziehen oder in das Seitenteil hineingleiten lassen.
4. Beide Klipps wieder ganz einstecken.
5. Die andere Seite anheben und wie beschrieben auf die gleiche Höhe einstellen.

Basis-Stabilisierungsrohr montieren (nur bei Ocean XL)



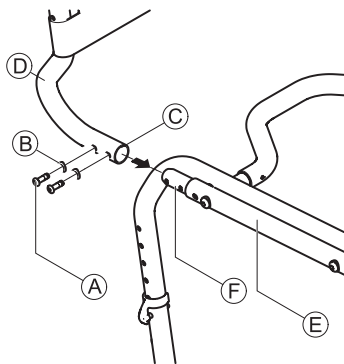
1. Basis-Stabilisierungsrohr (A) mit beigefügten Schrauben und Muttern (B) an das Sitzgestell (C) montieren.

Rückenlehne montieren

1. Alle vier Rollen feststellen. Dazu den roten Fußhebel der Rollen hinunterdrücken.

! WICHTIG

- Sicherstellen, dass die Armlehnen in abgeklapptem Zustand nach vorne zeigen.



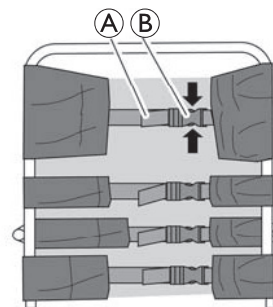
2. Die Rückenlehne ④ von hinten in das Sitzgestell ⑤ einstecken, bis der Bund ③ am Sitzgestellrohr ⑥ anliegt.

! WICHTIG

- Die gebogenen Unterlegscheiben müssen mit ihrer Rundung am Sitzgestellrohr anliegen.
 - Die Schrauben mit dem beiliegenden Innensechskantschlüssel fest anziehen. Das Drehmoment beträgt 5 Nm.
 - Die Schrauben regelmäßig auf festen Sitz prüfen.
3. Je eine gebogene Unterlegscheibe ② auf die Schraube ① aufschieben und die Rückenlehne links und rechts mit je zwei Schrauben festschrauben.

Rückenlehnenbezug einstellen

Die Rückenlehnenspannung kann individuell angepasst werden.



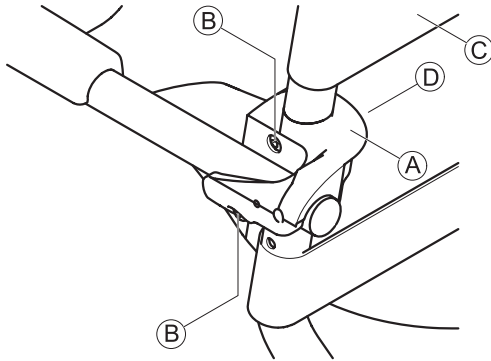
Spannen

1. Die Gurte ① des Rückenlehnenbezugs fester anziehen.

Entspannen

1. Die Gurtverschlüsse ② durch Eindrücken der Haltenasen (Pfeile) öffnen.
2. Die Gurte durch den Verschluss ein Stück zurückschieben.
3. Die Gurtverschlüsse schließen.
4. Die Gurte leicht nachspannen.

Höhe der Armlehnen einstellen



! WICHTIG

- Die Höhe der Armlehnen an den Benutzer anpassen.
- Die Höhe der Armlehnen auf beiden Seiten gleichmäßig verändern.
- Die Höhe der rechten und linken Armlehne auf die gleiche Weise einstellen.

1. Am Rückenlehnenbezug den Gurtverschluss des Gurtes öffnen, der innen am Rückenlehnengestell vorbeigeführt ist.
2. Am Rückenlehnenbezug den Gurtverschluss des Gurtes © öffnen, der oberhalb der Armlehne liegt.
3. Diesen Gurt innen am Rückenlehnengestell vorbeiführen und wieder schließen.



Die Muttern sind lose in die Halteschelle eingesetzt und können herausfallen.

4. Die Schrauben ② der Armlehnenhalterung ① mit dem beiliegenden Innensechskantschlüssel herausdrehen.

5. Die Halteschelle ④ mit den Muttern von der Innenseite des Rückenlehnengestells abnehmen.
6. Die Armlehnenhalterung ① mit der Armlehne abnehmen und nach oben versetzen.
 - ! Die kleinere Bohrung dient dazu, die Halteschelle zu fixieren.
7. Die Schrauben in die Armlehnenhalterung einsetzen und durch die Bohrungen im Rückenlehnengestell führen.
8. Ggf. die Muttern wieder in die Halteschelle einsetzen.
9. Die Halteschelle so auf das Rückenlehnengestell aufsetzen, dass die Fixierung an der Halteschelle in die kleinere Bohrung eingreift.
10. Die Schrauben in die Muttern eindrehen und festziehen.
11. Den noch offenen Gurt des Rückenlehnens außen am Rückenlehnengestell vorbeiführen, schließen und alle Gurte spannen.



! WICHTIG

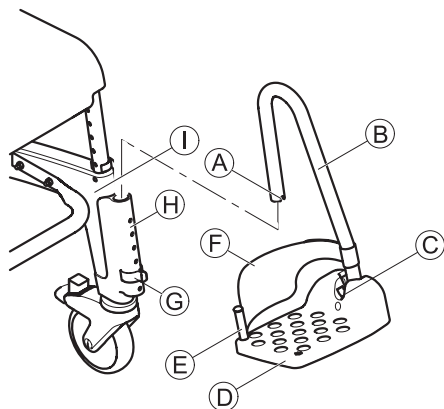
Das Einstellen der Armlehnen auf die untere Position erfolgt in gleicher Weise.

- Beim Umbau auf die untere Position muss der Gurt, der unterhalb der Armlehne liegt, geöffnet und innerhalb des Rückenlehnengestells vorbeigeführt werden.

Fußstützen montieren

! WICHTIG

- Die Montage ist für die rechte und linke Fußstütze gleich.



1. Die Fußstütze **B** mit der Fußplatte **D** nach innen in die Führung **H** vorne am Seitenteil **I** einschieben, bis die Nut **A** in den Stift des Klipps **G** eingreift. Die Fußstütze lässt sich seitlich nicht mehr drehen.

Höhe der Fußstützen einstellen

1. Die Fußstütze **B** ein Stück nach oben ziehen.
2. Den Klipp **G** herausziehen und in der gewünschten Position wieder einstecken. Die Fußstütze dazu ggf. noch etwas weiter herausziehen.
3. Die Fußstütze nach unten schieben, bis die Nut **A** in den Stift des Klipps eingreift.
4. Die zweite Fußstütze wie beschrieben auf die gewünschte Höhe einstellen.

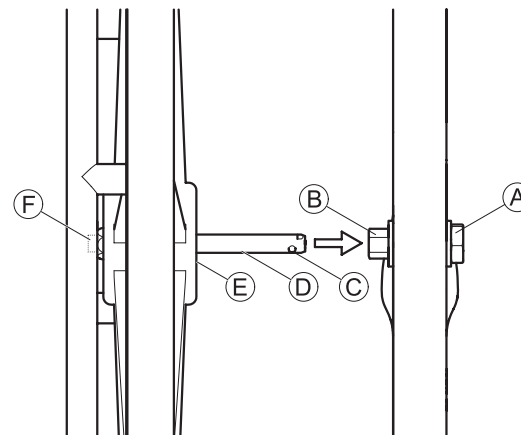
Neigung der Fußplatten einstellen

! WICHTIG

- Die Neigung der Fußplatten kann stufenlos eingestellt werden.
- Die rechte und die linke Fußplatte auf die gleiche Weise einstellen.

1. Die Innensechskantschraube **C** an der Fußplatte mit einem Innensechskantschlüssel der Größe 4 lösen.
2. Die Fußplatte **D** in die gewünschte Stellung drehen.
3. Die Innensechskantschraube wieder festziehen.

4.3 Selbstfahrräder (Option) aufstecken/ abnehmen



**WICHTIG**

- Bei montierten Selbstfahrrädern müssen die hinteren Rollen arretiert bleiben.
- Die Montage ist für das rechte und das linke Selbstfahrrad gleich.
- Die Naben und die Feststellbremsen für die Selbstfahrräder müssen von einem Fachhändler montiert sein. Die Montage ist in der Montageanleitung „Montage der Nabe und Bremse für Aquatec® Ocean 24“-Räder“ beschrieben.

1. Alle vier Rollen in Fahrtrichtung ausrichten.
2. Alle Rollen arretieren.
3. Die Achse ① am Selbstfahrrad nach innen schieben. (Die Greifringe zeigen nach außen.)
4. Den Knopf ② an der Außenseite der Achse eindrücken.
Die Sperrkugeln ③ am Ende der Achse werden frei.
5. Den Dusch- und Toilettenrollstuhl etwas anheben.
6. Die Achse in die Nabe ④ stecken und das Selbstfahrrad bis zum Anschlag ⑤ aufschieben.
7. Den Knopf loslassen.
8. Die Sperrkugeln nach außen drücken, so dass sie hinter der Sechskantmutter ⑥ liegen.

Das Abnehmen der Räder erfolgt in umgekehrter Reihenfolge.

5 Bedienung

5.1 Sicherheitsinformationen

**WARNUNG**

- In der Parkposition die Feststellbremsen arretieren.
- Den Dusch- und Toilettenrollstuhl nur auf ebenen Flächen und nur im Innenbereich einsetzen.
- Angaben auf dem Typschild beachten. Den Dusch- und Toilettenrollstuhl nicht überlasten.
- Vor jedem Gebrauch eine Sichtprüfung am Produkt auf äußere Schäden durchführen.
- Defektes Produkt nicht benutzen.

**WARNUNG** Abrutsch- und Wegrollgefahr

- Vor dem Benutzen sicherstellen, dass die Sitzfläche sicher am Sitzgestell befestigt ist.
- Vor dem Einsteigen oder Aufstehen, sowie in Parkposition, alle vier Rollen mit den roten Fußhebeln arretieren. Bei montierten Selbstfahrrädern (Option) die Feststellbremse anziehen.

**WARNUNG** Kippgefahr

- Vor dem Einsteigen oder vor dem Aufstehen die Fußstützen zur Seite schwenken oder die Fußplatten nach oben klappen.
- Nicht auf die Fußstützen stehen.

**VORSICHT** Klemmgefahr

- Beim Fahren mit den Selbstfahrrädern (Option) nicht zwischen die Speichen oder die sich drehenden Selbstfahrräder und das Sitzgestell greifen.

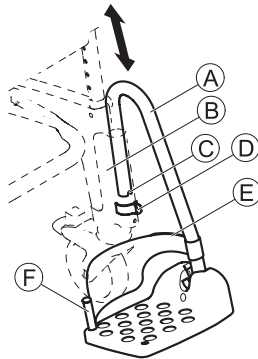
5.2 Armlehnen schwenken



VORSICHT Klemmgefahr durch Klappmechanismus

- Beim Herunter- oder Hochklappen der Armlehnen nicht in das Gelenk greifen.
- Darauf achten, dass keine Teile eingeklemmt werden.
- Beim Hochklappen nicht zwischen Armlehne und Rückenlehne greifen.

5.3 Fußstützen schwenken



Einstiegsposition/Ausstiegsposition:

1. Die Fußstütze **A** in der Führung **B** etwas nach oben ziehen, bis die Nut **C** nicht mehr in den Stift des Klipps **D** eingreift.
2. Die Fußstütze zur Seite schwenken.

Fahrposition:



VORSICHT Unfallgefahr durch lose Fußstütze

- Fußstützen in der Fahrposition fixieren.

1. Die Fußstütze **A** nach innen drehen.
2. Die Fußstütze nach unten drücken, bis die Nut **C** in den Stift des Klipps **D** eingreift.

5.4 Fersenband abnehmen/anbauen

1. Den Klettverschluss **E** am Fersenband öffnen.
2. Die Schraube **F** von der Unterseite der Fußplatte herausdrehen.
3. Das Fersenband von dem flexiblen Kunststoff-Pin abziehen.

Das Anbauen des Fersenbandes erfolgt in umgekehrter Reihenfolge.



WICHTIG

Beim Anbauen darauf achten, dass der Klettverschluss des Fersenbandes nach hinten zeigt.

5.5 Sitzplatte abnehmen/aufstecken

Abnehmen:

1. Die Sitzplatte an beiden Seiten nach oben ziehen.

Aufstecken:



VORSICHT Klemmgefahr

- Beim Aufdrücken der Sitzplatte nicht zwischen Sitzfläche und Sitzgestell greifen.

1. Die Sitzplatte mit dem Ausschnitt nach vorne auf das Sitzgestell aufsetzen.
2. Die Sitzplatte so weit wie möglich nach hinten schieben.
3. Mit der flachen Hand die Sitzplatte an den Seiten und anschließend vorne und hinten nach unten drücken, bis die Sitzplatte im Sitzgestell einschnappt.

6 Transport

6.1 Sicherheitsinformationen



Das Produkt kann zum Transport in die Teile des Lieferumfangs (Kapitel 3.1 Komponenten) zerlegt werden.
 ▸ Demontage des Produkts, siehe Abschnitt 4 „Montage und Installation“.

7 Wartung

7.1 Wartung und Inspektion

Bei Einhaltung der aufgeführten Reinigungs- und Sicherheitshinweise ist das Produkt wartungsfrei.

- Produkt regelmäßig auf Beschädigungen und sichere Montage prüfen.
- Bei Beschädigungen und/oder anfälligen Reparaturen unverzüglich den Fachhändler kontaktieren.
- Das Produkt vor jedem Wiedereinsatz oder spätestens nach 24 Monaten durch einen autorisierten Fachhändler überprüfen lassen (siehe Herstellerempfehlung für Reha-Produkte des SPECTARIS-Industrieverbandes).

7.2 Reinigung und Desinfektion

Das Produkt ist mit handelsüblichen Mitteln reinig- und desinfizierbar.

! WICHTIG

Die Hygiene ist in dem sensiblen Bereich der Toilette besonders wichtig.

- Das Produkt sauber halten und regelmäßig reinigen.
- Produkt mittels großflächiger Wischdesinfektion aller allgemein zugänglicher Flächen desinfizieren (ggf. nach erfolgter Demontage des Produktes).

! WICHTIG

Alle verwendeten Reinigungs- und Desinfektionsmittel müssen wirksam, untereinander kompatibel und materialschonend zu den eingesetzten Werkstoffen sein.

- Bezüglich Einwirkzeit und Konzentration die Desinfektionsmittelliste des Verbunds für Angewandte Hygiene e.V. (www.vah-online.de) sowie der deutschen Vereinigung zur Bekämpfung der Viruskrankheiten e.V. (www.dvv-ev.de) beachten.
- Produkt von Hand reinigen.
- Produkt ohne Scheuermittel reinigen.

Reinigen im häuslichen Bereich



WICHTIG Beschädigungsgefahr

- Halterungen für Zubehör nicht demontieren.

1. Eventuell angebautes Zubehör abnehmen.
2. Fußstützen aus den Führungen ziehen.
3. Sitzplatte und Rückenlehnenbezug abnehmen.
4. Seitenteile abnehmen, siehe Abschnitt 4 „Montage und Installation“.
5. Die Klipps gleich wieder in das Sitzgestell einstecken, damit sie nicht verloren gehen.
6. Die einzelnen Teile mit handelsüblichen Reinigungs- und Desinfektionsmitteln sowie mit einem Lappen oder einer Bürste abwaschen.
7. Die Teile mit warmem Wasser abbrausen.
8. Die Teile mit einem Lappen abtrocknen.
9. Produkt wieder zusammenbauen, siehe Abschnitt 4 „Montage und Installation“.

Reinigen im Klinikbereich



VORSICHT Verbrennungsgefahr

Nach dem Autoklavieren das Produkt abkühlen lassen.

1. Zusätzlich zur Reinigung, wie oben beschrieben, das Produkt in regelmäßigen Abständen bei 85 °C für 3 Minuten im Autoklav reinigen.

Rückenbezug reinigen (optional)

1. Den Bezug der Rückenlehne abnehmen.
2. Den Bezug bei max. 60 °C mit Feinwaschmittel in der Waschmaschine waschen.



WICHTIG Beschädigungsgefahr

- Waschen bei höheren Temperaturen kann Einlaufen zur Folge haben.
- Bezüge nicht im Wäschetrockner trocknen.

7.3 Rollen wechseln



WARNUNG Unfallgefahr durch nicht korrekt montierte Rollen.

Das Auswechseln der Rollen muss von einem Fachhändler vorgenommen werden.

8 Nach dem Gebrauch

8.1 Lagerung



WICHTIG Beschädigungsgefahr

- Produkt in trockenen Räumen bei einer Temperatur zwischen 0 °C und 40 °C, einem Luftdruck von 860 - 1060 hPa und einer Luftfeuchtigkeit von 30 - 75 % lagern.
- Produkt nicht in der Nähe von Wärmequellen lagern.
- Direkte Sonneneinstrahlung auf das Produkt vermeiden.

8.2 Wiederverwendung

Das Produkt ist für den Wiedereinsatz geeignet. Die Anzahl der Wiedereinsätze ist abhängig von der Nutzungshäufigkeit und Nutzungsweise des Produkts. Vor dem Wiedereinsatz das Produkt hygienisch aufbereiten sowie die technisch-funktionelle Sicherheit des Produkts prüfen und ggf. wiederherstellen.

8.3 Entsorgung

Entsorgung und Recycling benutzter Produkte und Verpackungen müssen gemäß geltenden Vorschriften erfolgen.

Die richtige und vollständige Entsorgung kann vom Hersteller übernommen werden.

9 Störungen beheben

9.1 Störungen erkennen und beheben

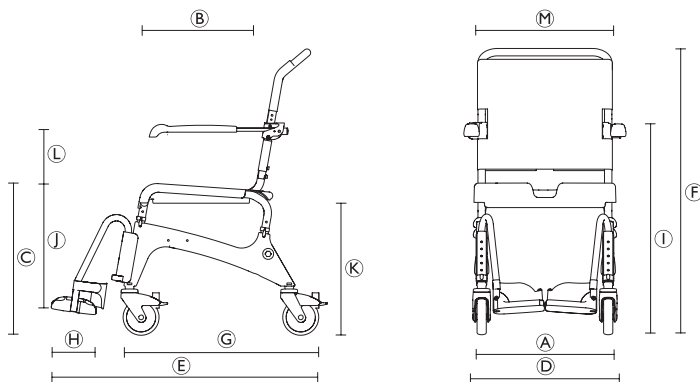


Die folgende Tabelle gibt Ihnen Hinweise auf Störungen und deren mögliche Ursachen.

Können Sie die Störung anhand der genannten Abhilfen nicht beseitigen, wenden Sie sich bitte direkt an Ihren Fachhändler.

Störung	Mögliche Ursache	Abhilfe
Einstellen der Sitzhöhe schwergängig	Ablagerungen zwischen Sitzgestell und Seitenteil	▸ Produkt in die Teile des Lieferumfangs zerlegen und gründlich reinigen.
Rolle dreht sich schwer oder gar nicht.	Schmutz zwischen Gabel und Felge	▸ Rollen gründlich reinigen.
Fußstützen lassen sich nur schwer zur Seite drehen	Ablagerungen in den Führungen	▸ Fußstützen abnehmen und gründlich reinigen.
Feststellbremse der Selbstfahrräder (Option) greift nicht	Feststellbremse falsch eingestellt	▸ Feststellbremse einstellen

10 Technische Daten



10.1 Abmessungen und Gewicht

Ⓓ	Gesamtbreite (Ocean)	560 mm
	Gesamtbreite (Ocean XL)	640 mm
	Gesamtbreite mit Selbstfahrrädern	675 mm
Ⓔ	Tiefe	934 mm
	Tiefe mit Selbstfahrrädern	1060 mm
Ⓖ	Tiefe ohne Fußstützen	700 mm
Ⓕ	Fußplattentiefe	155 mm
Ⓕ	Höhe	964 - 1094 mm
Ⓘ	Höhe bis Armlehnen	680 - 850 mm
Ⓙ	Höhe Fußstützen - Sitz	255 - 495 mm
Ⓐ	Sitzbreite	480 mm
Ⓑ	Sitztiefe	450 mm

Ⓒ	Sitzhöhe	477 - 600 mm
	min. Breite zwischen den Seitenteilen	ca. 381 mm
Ⓚ	min. Abstand zwischen Boden und Halterung für den Toilettentopf	ca. 408 mm
	Gewicht	ca. 15 kg
	Belastbarkeit (Ocean)	150 kg
	Belastbarkeit (Ocean XL)	180 kg

10.2 Materialien

Rahmen	Edelstahl, pulverbeschichtet
Sitzplatte	Polypropylen
Rückenbezug	Nylon, PVC beschichtet
Fußstützen	Polypropylen, glasfaserverstärkt
Seitenteile	Polypropylen, glasfaserverstärkt
Armlehnen	Polypropylen
Rollen	Kunststoffe und Edelstahl

Table des matières

français

1	Général	32	7	Maintenance	41
1.1	Généralités	32	7.1	Maintenance et inspection	41
1.2	Signification des symboles	32	7.2	Nettoyage et désinfection	41
1.3	Garantie	32	7.3	Changement de roues	42
1.4	Utilisation conforme du dispositif	32	8	Après l'utilisation	42
1.5	Durée de vie	32	8.1	Stockage	42
2	Sécurité	33	8.2	Réutilisation	42
2.1	Informations de sécurité	33	8.3	Élimination	42
3	Description	33	9	Résolution des problèmes	43
3.1	Composants	33	9.1	Identification des défaillances et réparation	43
3.2	Autocollant d'identification	34	10	Caractéristiques techniques	44
4	Montage et installation	34	10.1	Dimensions et poids	44
4.1	Informations de sécurité	34	10.2	Matériel	44
4.2	Montage de la chaise roulante pour douche/toilettes	34			
4.3	Montage/Retrait des roues pour déplacement manuel (en option)	38			
5	Utilisation	39			
5.1	Informations de sécurité	39			
5.2	Pivot des accoudoirs	40			
5.3	Pivot des repose-pieds	40			
5.4	Retrait/Ajout d'une sangle de talon	40			
5.5	Retrait/Ajout de la plaque de siège	40			
6	Transport	41			
6.1	Informations de sécurité	41			

I Général

I.1 Généralités

Ce manuel d'utilisation contient des informations et des remarques sur l'emploi sûr et adéquat de la chaise roulante pour douche/toilettes.

Veuillez lire attentivement ce manuel avant d'utiliser ce produit.

Les informations relatives aux positions (A, B, C, etc.) des instructions de montage se réfèrent toujours à la figure précédente.

I.2 Signification des symboles

Avertissements

Dans le présent Manuel d'utilisation, les avertissements sont signalisés par des pictogrammes. Ces pictogrammes sont accompagnés d'un entête indiquant le niveau de danger.



AVERTISSEMENT

Indique une situation potentiellement dangereuse qui pourrait provoquer des blessures graves ou mortelles.



ATTENTION

Indique une situation potentiellement dangereuse qui pourrait provoquer des blessures légères.



IMPORTANT

Indique une situation potentiellement dangereuse qui pourrait provoquer des dommages matériels.

Conseils et recommandations



Donne des conseils, recommandations et informations utiles pour une utilisation efficace et en toute sécurité.

I.3 Garantie

Nous offrons une garantie fabricant pour le produit en accord avec nos Conditions générales de vente. Les demandes de garantie doivent être faites via votre prestataire médical.

Qualité

La qualité revêt une importance capitale aux yeux de notre société ; tous les procédés sont basés sur les normes ISO 9001 et ISO 13485.

Ce produit satisfait aux exigences de la norme DIN EN 12182.

Pour toutes informations supplémentaires, contactez la filiale INVACARE® présente dans votre pays (adresses fournies au dos de ce manuel).

I.4 Utilisation conforme du dispositif

La chaise roulante pour douche/toilettes est uniquement conçue comme un dispositif d'assistance pour la douche ou le bain, pour aller aux toilettes ou pour transférer des patients à l'intérieur. Elle ne doit pas être utilisée pour d'autres besoins.



AVERTISSEMENT Risque de blessures

- N'utilisez jamais ce produit comme aide pour rentrer dans la baignoire ou en sortir, pour monter ou descendre, comme support ou tout autre usage semblable.
- N'utilisez par ce produit à l'extérieur.

En tant que chaise/toilettes, elle peut s'employer sur un WC normal ou avec un pot (en option).

La chaise roulante pour douche/toilettes peut être employée dans un bassin si l'eau n'est pas salée et si un assistant est présent à tout moment.

Température d'utilisation: 10 - 65 °C

I.5 Durée de vie

La durée de vie attendue de ce produit est de cinq ans lorsqu'il est utilisé selon l'usage prévu et dans le respect des consignes de sécurité et des intervalles de maintenance stipulés dans le présent manuel. La durée de vie effective peut varier en fonction de la fréquence et de l'intensité de l'utilisation.

2 Sécurité

2.1 Informations de sécurité



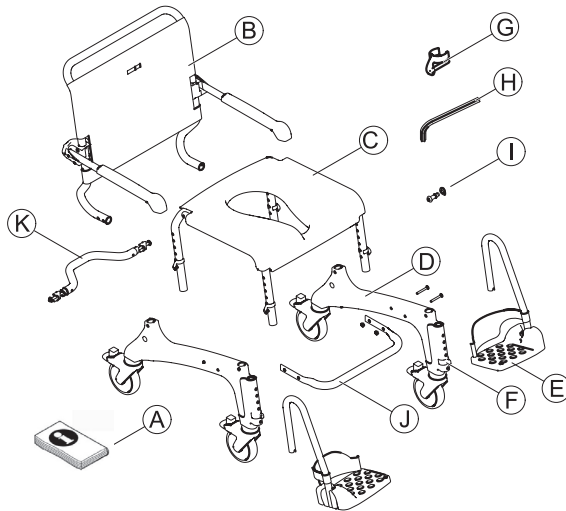
AVERTISSEMENT Risque de blessures

- ▶ N'utilisez pas si le produit est défectueux.
- ▶ En cas de défaillance, contactez immédiatement un revendeur.
- ▶ Ne procédez à aucune modification non autorisée et ne transformez pas le produit.
- ▶ Utilisez uniquement les accessoires conçus pour ce produit.

3 Description

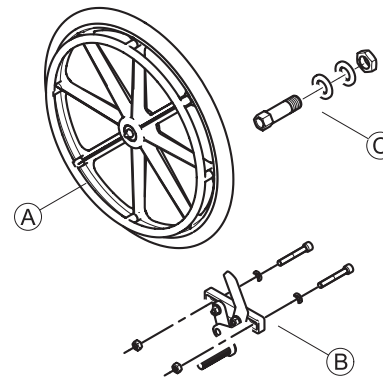
3.1 Composants

Les composants suivants sont inclus lors de la livraison de l'AQUATEC® Ocean/ XL :



Ⓐ	Manuel d'utilisation
Ⓑ	Dossier avec toile de dossier, et accoudoirs
Ⓒ	Cadre du siège avec plaque
Ⓓ	Pièces latérales avec roues (x2)
Ⓔ	Repose-pieds avec sangle de talon (x2)
Ⓕ	Clips (x2) de repose-pied (inséré)
Ⓖ	Clips (x4) de cadre de siège
Ⓗ	Clé hexagonale numéro 4
Ⓘ	Vis (x4) et rondelles courbes (x4)
Ⓙ	Tube de stabilisation de la base avec vis (x4) et écrous (x4) - Ocean XL uniquement
Ⓚ	Tube de stabilisation avec cales, vis et écrous

Les pièces suivantes sont incluses lors de la livraison des roues pour déplacement manuel avec frein d'immobilisation :

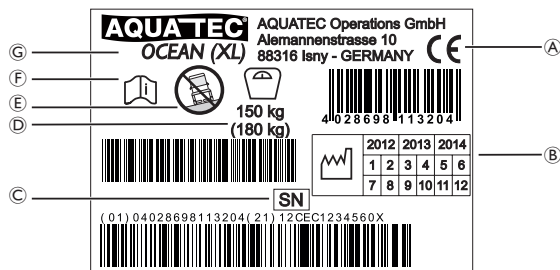


Ⓐ	Roues pour déplacement manuel (x2)
Ⓑ	Freins d'immobilisation (x2)
Ⓒ	Moyeux (x2)

Veillez noter la modification des dimensions lors de l'installation des roues pour déplacement manuel. Les détails figurent dans les données techniques.

3.2 Autocollant d'identification

L'autocollant d'identification contient également d'importantes informations :



Ⓐ	Marque de conformité
Ⓑ	Dates du produit
Ⓒ	Numéro de série
Ⓓ	Capacité de charge
Ⓔ	Remarque (à utiliser uniquement sur des surfaces planes)
Ⓕ	Remarque (observer la documentation)
Ⓖ	Désignation du produit



L'étiquette d'identification est placée à l'intérieur de la pièce latérale de droite.

4 Montage et installation

4.1 Informations de sécurité



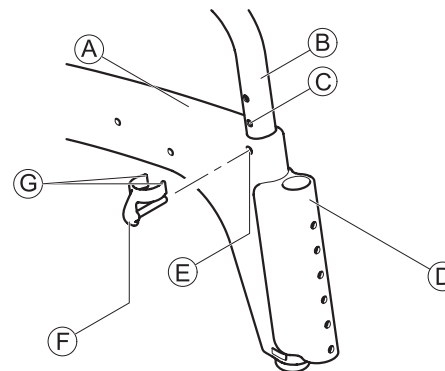
IMPORTANT

- ▶ Avant la mise en service, vérifiez les pièces afin de vous assurer qu'elles n'ont pas été endommagées durant le transport et contactez le revendeur si besoin est.
- ▶ Lors du montage, assurez-vous que les pièces sont correctement positionnées l'une par rapport à l'autre.

4.2 Montage de la chaise roulante pour douche/toilettes

Cette section aborde le montage. Procédez en sens inverse pour le démontage.

Fixation des pièces latérales



1. Retirez les clips Ⓕ fournis de la pochette.
2. Placez le cadre du siège sur son côté.

! IMPORTANT

- ▶ Appliquez une pression uniforme pour pousser les pièces latérales sur le cadre sans les tordre.
- ▶ Fixez la pièce latérale à la même hauteur à l'avant et à l'arrière.

3. Poussez la pièce latérale (A) avec les guides pour les repose-pieds (D) vers l'avant sur le cadre du siège (B).
4. Alignez les pièces de fixation (E) situées à l'avant et à l'arrière de la pièce latérale sur le trou du cadre du siège (C).
5. Insérez les clips (F) de l'extérieur dans la pièce latérale, jusqu'à ce que les deux extrémités entourent (C) le tube du cadre du siège (D).

! IMPORTANT

- ▶ Assurez-vous que les pièces latérales droite et gauche sont fixées à la même hauteur.

6. Tournez le cadre du siège et répétez la procédure de l'autre côté.
7. Placez le cadre du siège avec ses pièces latérales sur les roues.

Réglage de la hauteur du siège

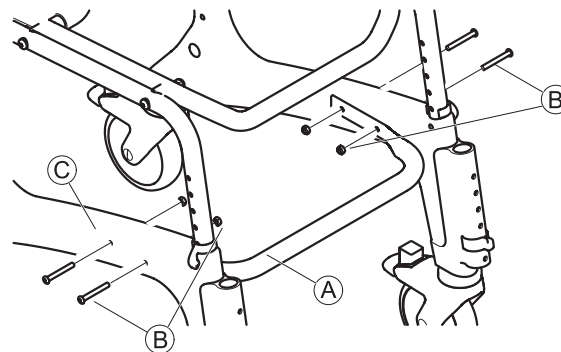
! IMPORTANT

La hauteur du siège doit être adaptée à l'utilisateur. Le réglage est normalement correct si l'utilisateur peut s'asseoir sur le siège avec les deux pieds touchant le sol.

- ▶ Modifiez la hauteur au même niveau des deux côtés.
- ▶ Ne réglez pas la hauteur du siège tandis qu'une personne est assise sur la chaise roulante pour douche/toilettes.

1. Soulevez légèrement la chaise roulante pour douche/toilettes d'un côté vers le cadre du siège (B).
2. Retirez les deux clips (F) de ce côté.
3. Tirez sur le cadre du siège pour le dégager de la pièce latérale (A) ou poussez-le dans la pièce latérale pour régler la hauteur du siège.
4. Repoussez complètement les deux clips.
5. Soulevez l'autre côté et fixez à la même hauteur.

Fixation du tube de stabilisation de la base (Ocean XL uniquement)



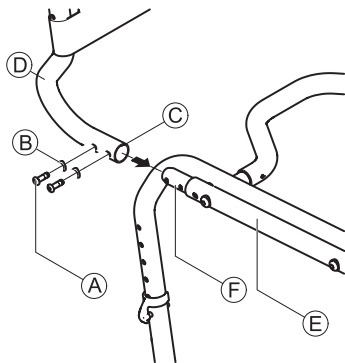
1. Fixez le tube de stabilisation de la base (A) au moyen des vis et des écrous (B) fournis entre les pièces latérales (C).

Fixation du dossier

1. Fixez les quatre roues. Pour cela, appuyez sur la manette rouge située sur les roues.

! IMPORTANT

- Assurez-vous que les accoudoirs sont dirigés vers l'avant en position non dépliée.



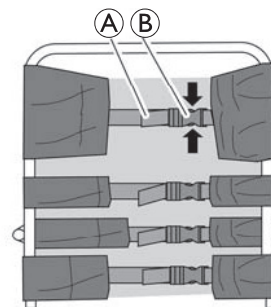
2. Insérez le dossier ④ par l'arrière dans le cadre du siège ⑤, jusqu'à ce que la bride ③ bute contre le tube du cadre du siège ⑥.

! IMPORTANT

- La partie arrondie des rondelles courbes doit reposer sur le tube du cadre du siège.
 - Serrez fermement les vis au moyen de la clé hexagonale fournie. Le serrage est de 5 Nm.
 - Vérifiez régulièrement les vis afin de vous assurer qu'elles sont posées correctement.
3. Placez une rondelle courbe ② sur chaque vis ① et fixez le dossier, sur la gauche et la droite, avec deux vis de chaque côté.

Tension de la toile du dossier

La tension du dossier peut être réglée selon les besoins.



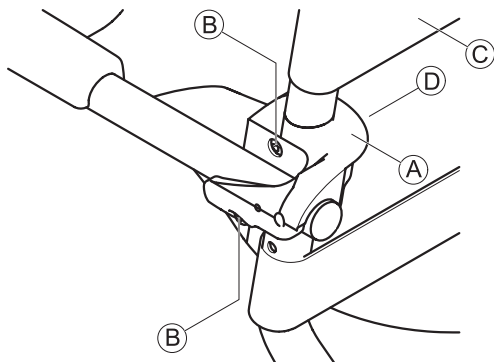
Augmentation de la tension

1. Tendez davantage les sangles ① du dossier.

Réduction de la tension

1. Ouvrez les boucles ② en pressant sur les côtés (flèches).
2. Allongez légèrement les sangles dans les boucles.
3. Fermez les boucles des sangles.
4. Resserrez légèrement les sangles.

Réglage de la hauteur des accoudoirs



! IMPORTANT

- Réglez la hauteur des accoudoirs en fonction de l'utilisateur.
- Réglez les accoudoirs à la même hauteur des deux côtés.
- Réglez la hauteur des accoudoirs droit et gauche exactement de la même manière.

1. Au niveau du dossier, ouvrez la boucle de la sangle qui passe à l'intérieur du cadre du dossier.
2. Toujours au niveau du dossier, ouvrez la boucle de la sangle © qui passe au-dessus de l'accoudoir.
3. Passez cette sangle à l'intérieur du cadre du dossier et refermez la boucle.



Les écrous sont insérés sans être serrés dans le dispositif de retenue et risquent de tomber.

4. Dévissez les vis ② du support d'accoudoir ① au moyen de la clé hexagonale fournie.

5. Retirez la fixation ④ avec les écrous depuis l'intérieur du cadre du dossier.
6. Retirez le support d'accoudoir ① avec l'accoudoir, et déplacez-le vers le haut.



Le trou le plus petit permet de fixer le dispositif de retenue.

7. Insérez les vis dans le support d'accoudoir et guidez-les dans les trous du cadre du dossier.
8. Le cas échéant, remplacez les écrous dans la fixation.
9. Placez la fixation dans le cadre du dossier de manière à ce que l'attache dépasse dans le petit trou.
10. Tournez les vis dans les écrous et serrez-les.
11. Passez la sangle du dossier toujours ouverte à l'extérieur du cadre du dossier, fermez-la et serrez toutes les sangles.



IMPORTANT

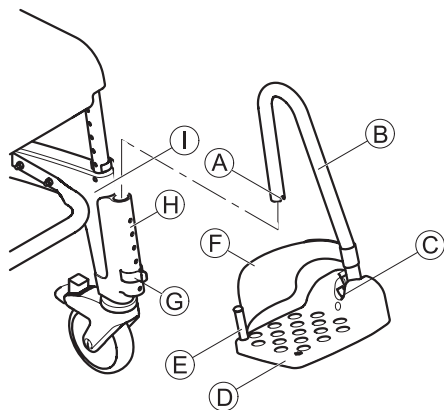
Les accoudoirs se rabattent de la même manière.

- Pour les rabattre, la sangle située en dessous doit être ouverte et passée à l'intérieur du cadre du dossier.

Réglage des repose-pieds

! IMPORTANT

- Les repose-pieds gauche et droit se règlent de la même manière.



1. Poussez le repose-pied **B** avec la palette repose-pied **D** dans le guide **H** à l'avant de la pièce latérale **I** jusqu'à ce que la rainure **A** s'enclenche sur l'ergot du clip **G**. Le repose-pied ne peut plus être tourné sur le côté.

Réglage de la hauteur des repose-pieds

1. Soulevez légèrement le repose-pied **B**.
2. Retirez le clip **G** et repoussez-le dans la position souhaitée. Si besoin est, retirez un peu plus le repose-pied pour procéder.
3. Poussez le repose-pied vers le bas jusqu'à ce que la rainure **A** s'enclenche dans l'ergot du clip.
4. Réglez le deuxième repose-pied à la hauteur souhaitée, comme indiqué.

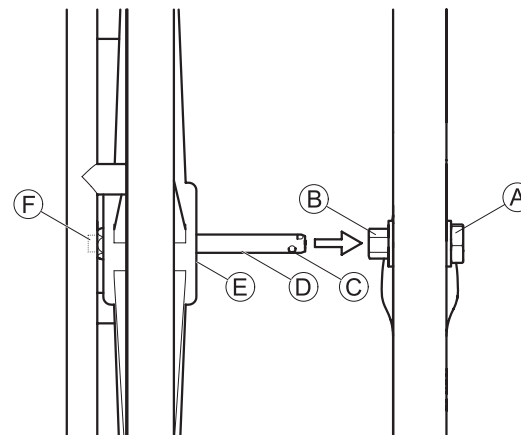
Réglage de l'inclinaison des palettes repose-pieds

! IMPORTANT

- L'inclinaison des palettes est possible à modifier en continu.
- Réglez les repose-pieds droit et gauche exactement de la même manière.

1. Desserrez la vis à tête à six pans creux **C** de la palette au moyen d'une clé hexagonale numéro 4.
2. Tournez la palette **D** dans la position souhaitée.
3. Resserrez la vis à tête à six pans creux.

4.3 Montage/Retrait des roues pour déplacement manuel (en option)



**IMPORTANT**

- ▶ Lors de l'installation des roues pour déplacement manuel, les roues arrière doivent rester bloquées.
- ▶ Les roues pour déplacement manuel droite et gauche s'installent de la même manière.
- ▶ Les moyeux et les freins d'immobilisation des roues pour déplacement manuel doivent être installés par un revendeur. Le montage est abordé dans les instructions de montage sous « Montage des moyeux et des freins pour les roues Aquatec® Ocean de 24 pouces ».

1. Alignez les quatre roues dans la direction du mouvement de la chaise.
2. Bloquez toutes les roues.
3. Poussez l'axe ① de la roue pour déplacement manuel vers l'intérieur. (La main courante est dirigée vers l'extérieur.)
4. Maintenez le bouton ② situé à l'extérieur de l'axe enfoncé. Ceci relâche les billes de retenue ③ à l'extrémité de l'axe.
5. Soulevez légèrement la chaise roulante pour douche/toilettes
6. Insérez l'axe dans le moyeu ④ et poussez la roue pour déplacement manuel sur l'axe jusqu'à la butée d'extrémité ⑤.
7. Relâchez le bouton.
8. Poussez les billes de retenue vers l'extérieur afin de les placer derrière l'écrou hexagonal ⑥.

Pour retirer les roues, procédez en sens inverse.

5 Utilisation**5.1 Informations de sécurité****AVERTISSEMENT**

- ▶ Serrez les freins d'immobilisation.
- ▶ Utilisez uniquement la chaise roulante pour douche/toilettes sur une surface plane et à l'intérieur.
- ▶ Observez les spécifications de l'étiquette signalétique. Ne surchargez pas la chaise roulante pour douche/toilettes.
- ▶ Procédez toujours à une inspection visuelle du produit afin de déceler toute détérioration avant chaque usage.
- ▶ N'utilisez pas de produit défectueux.

**AVERTISSEMENT** Risque de roulement ou de glissement

- ▶ Avant de vous asseoir, assurez-vous que la surface du siège est bien fixée sur son cadre.
- ▶ Bloquez les quatre roues au moyen des manettes rouges avant de vous asseoir sur le siège ou de vous relever, ainsi que lorsque la chaise est en position d'arrêt. Serrez le frein d'immobilisation lorsque les roues pour déplacement manuel sont installées (en option).

**AVERTISSEMENT** Risque de basculement

- ▶ Faites pivoter les palettes des repose-pieds sur le côté avant de vous asseoir ou de vous relever, ou remontez-les.
- ▶ Ne vous tenez pas debout sur les repose-pieds.

**ATTENTION** Risque de pincement

- ▶ Lors de l'utilisation des roues pour déplacement manuel (en option), ne placez pas les doigts dans les rayons ni entre les roues et le cadre du siège pendant le déplacement.

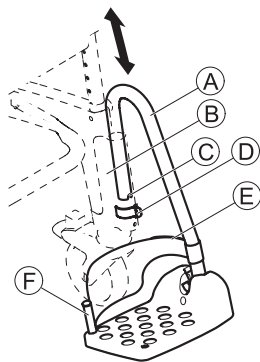
5.2 Pivot des accoudoirs



ATTENTION Risque de pincement de doigts dans le mécanisme

- Ne saisissez pas le joint lorsque vous pliez les accoudoirs vers le bas ou vers le haut.
- Assurez-vous qu'aucune pièce ne se coince dans le mécanisme.
- Ne placez pas les mains entre les accoudoirs et le dossier lorsque vous pliez la chaise.

5.3 Pivot des repose-pieds



Position d'entrée/de sortie

1. Tirez le repose-pied A dans le guide B légèrement vers le haut, jusqu'à ce que la rainure C soit dégagée de l'ergot du clip D.
2. Faites pivoter le repose-pied sur le côté.

Position de déplacement



ATTENTION Risque d'accident provoqué par un repose-pied ballant

- Fixez les repose-pieds en position de déplacement.

1. Tournez le repose-pied A vers l'intérieur.
2. Poussez le repose-pied vers le bas jusqu'à ce que la rainure s'enclenche C dans l'ergot du clip D.

5.4 Retrait/Ajout d'une sangle de talon

1. Ouvrez la bande Velcro® E de la sangle de talon.
2. Retirez la vis F du dessous de la palette repose-pied.
3. Retirez la sangle de talon de l'ergot en plastique flexible.

Pour fixer la sangle, procédez en sens inverse.



IMPORTANT

Lors de l'installation, assurez-vous que la bande Velcro® de la sangle de talon est dirigée vers l'arrière.

5.5 Retrait/Ajout de la plaque de siège

Retrait

1. Soulevez la plaque de siège des deux côtés.

Ajout



ATTENTION Risque de pincement de doigts

- Ne placez pas les doigts entre la surface et le cadre du siège lorsque vous appuyez sur la plaque du siège.

1. Placez la plaque de siège sur le cadre avec la découpe dirigée vers l'avant.
2. Repoussez la plaque de siège vers l'arrière aussi loin que possible.
3. Avec la main à plat, appuyez sur les côtés, puis sur l'avant et l'arrière de la plaque jusqu'à ce qu'elle s'enclenche dans le cadre du siège.

6 Transport

6.1 Informations de sécurité



Pour le transport, le produit peut être démonté selon les pièces prévues pour la livraison (cf. section 3.1, Composants).

- Démontez le produit, cf. section 4 « Montage et installation ».

7 Maintenance

7.1 Maintenance et inspection

Si vous observez les instructions de nettoyage et les consignes de sécurité fournies, aucune intervention de maintenance ne sera nécessaire sur le matériel.

- Vérifiez régulièrement le produit afin de vous assurer qu'il n'est pas endommagé et qu'il est monté correctement.
- En cas de détérioration ou de réparation éventuellement nécessaire, contactez immédiatement votre revendeur.
- Le produit doit être vérifié par un revendeur agréé avant d'être réutilisé ou après 24 mois au minimum (cf. recommandations du fabricant pour le matériel de rééducation de l'association industrielle SPECTARIS).

7.2 Nettoyage et désinfection

Ce produit peut être nettoyé et désinfecté au moyen de produits disponibles dans le commerce.

! IMPORTANT

Dans l'environnement délicat de la salle de bain, l'hygiène est particulièrement importante.

- Le produit doit être propre à tout moment et il doit être nettoyé régulièrement.
- Il doit être désinfecté en essuyant toutes les surfaces généralement accessibles avec un désinfectant (le cas échéant, après son démontage).

! IMPORTANT

Tous les désinfectants et produits de nettoyage utilisés doivent être efficaces, compatibles ensemble et protéger les surfaces qu'ils sont sensés nettoyer. Pour les durées de contact et les concentrations, consulter la liste des désinfectants fournie par la Verbund für Angewandte Hygiene e.V. (– Association pour l'application des mesures d'hygiène) ainsi que par la Deutsche Vereinigung zur Bekämpfung der Viruskrankheiten e.V. (– Association allemande pour la lutte contre les maladies virales).

- Nettoyage à la main.
- Ne pas utiliser de produits récurrents pour le nettoyage.

Nettoyage dans un environnement domestique

! IMPORTANT Risque de détérioration

- Ne démontez pas les supports des accessoires.

1. Retirez tout accessoire amovible.
2. Retirez les repose-pieds des guides.
3. Retirez la plaque de siège et la toile de dossier.
4. Retirez les pièces latérales (cf. section 4 « Montage et installation »).
5. Réinsérez immédiatement les clips dans le cadre du siège afin de ne pas les égarer.
6. Lavez chaque pièce avec un chiffon ou une brosse, et avec des détergents ou des désinfectants disponibles dans le commerce.
7. Rincez ensuite à l'eau chaude.
8. Essuyez les pièces avec un chiffon sec.
9. Assemblez à nouveau le produit, Reportez-vous à la section 4, « Montage et installation ».

Nettoyage dans un environnement hospitalier



ATTENTION Risque de brûlure

Laissez refroidir le produit après son passage à l'autoclave.

1. En plus du nettoyage indiqué ci-dessus, nettoyez le matériel à des intervalles réguliers à 85 °C pendant 3 minutes à l'autoclave.

Nettoyage de la toile du dossier (facultatif)

1. Retirez la toile du dossier.
2. Passez la toile à la machine à laver le linge, à une température maximale de 60 °C avec un détergent doux.



IMPORTANT Risque de dommages

- Le lavage à des températures élevées peut provoquer un rétrécissement.
- Ne placez pas les toiles de dossier dans un séchoir.

7.3 Changement de roues



AVERTISSEMENT Risque d'accident provoqué par des roues mal montées

Les roues doivent être remplacées par un revendeur.

8 Après l'utilisation

8.1 Stockage



IMPORTANT Risque de détériorations

- Stockez le produit dans un endroit sec à une température comprise entre 0 et 40 °C, pression atmosphérique de 860 à 1060 hPa, et humidité comprise entre 30 et 75 %.
- Ne stockez pas le produit près de sources de chaleur.
- Conservez le produit à l'abri de la lumière du soleil.

8.2 Réutilisation

Le produit est destiné à être réutilisé. Le nombre de réutilisations dépend de la fréquence et du mode d'utilisation du produit. Avant de le réutiliser, nettoyez soigneusement le produit, vérifiez sa sécurité technique et fonctionnelle ou, si besoin, la restaurer.

8.3 Elimination

L'élimination et le recyclage d'appareils usés et d'emballages doivent être effectués conformément aux prescriptions légales.

Veillez consulter le fabricant pour vous renseigner sur la mise au rebut complète et adéquate.

9 Résolution des problèmes

9.1 Identification des défaillances et réparation

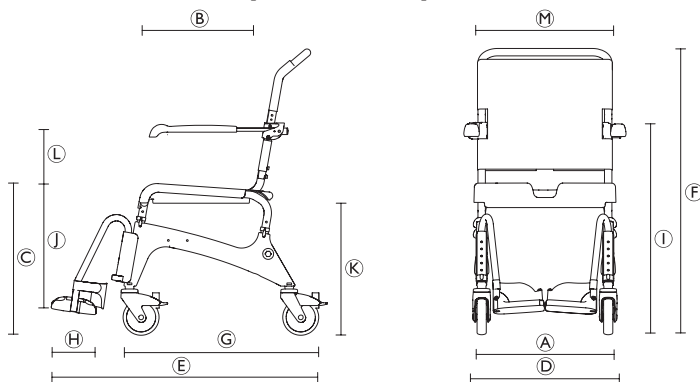


Le tableau suivant fournit des informations sur les défaillances et leurs causes possibles.

Si les solutions proposées ne permettent pas de résoudre le problème, veuillez contacter directement votre revendeur.

Défaillance	Cause possible	Solution
La hauteur du siège est difficile à régler en raison d'une raideur.	Saletés entre la surface et le cadre du siège	▸ Démontez le produit selon les pièces prévues pour la livraison et nettoyez-les soigneusement.
Une roue ne tourne pas du tout ou bien tourne difficilement.	Saletés entre la fourche et la jante	▸ Nettoyez bien les roues.
Les repose-pieds sont difficiles à tourner.	Présence de dépôts dans les guides	▸ Retirez les repose-pieds et procédez à un nettoyage minutieux.
Le frein d'immobilisation des roues pour déplacement manuel (en option) ne s'enclenche pas.	Frein mal réglé	▸ Réglez le frein d'immobilisation.

10 Caractéristiques techniques



10.1 Dimensions et poids

D	Largeur totale (Ocean)	560 mm
	Largeur totale (Ocean XL)	640 mm
	Largeur totale avec roues pour déplacement manuel	675 mm
E	Profondeur	934 mm
	Profondeur avec roues pour déplacement manuel	1060 mm
G	Profondeur sans les repose-pieds	700 mm
H	Profondeur de la palette repose-pied	155 mm
F	Hauteur	964 - 1094 mm
I	Hauteur des accoudoirs	680 - 850 mm
J	Hauteur des repose-pieds au siège	255 - 495 mm
A	Largeur du siège	480 mm

B	Profondeur du siège	450 mm
C	Hauteur du siège	477 - 600 mm
	Largeur minimale entre les pièces latérales	environ 381 mm
K	Distance minimale entre le sol et le support du pot	environ 408 mm
	Poids	environ 15 kg
	Capacité de charge (Ocean)	150 kg
	Capacité de charge (Ocean XL)	180 kg

10.2 Matériel

Cadre	Acier inoxydable, poudré
Plaque de siège	Polypropylène
Toile de dossier	Nylon, enduit PVC
Repose-pieds	Polypropylène, renforcement fibre de verre
Pièces latérales	Polypropylène, renforcement fibre de verre
Accoudoirs	Polypropylène
Roues	Plastiques et acier inoxydable

I	Generale	46	7	Manutenzione	55
1.1	Informazioni generali	46	7.1	Manutenzione e ispezione	55
1.2	Simboli	46	7.2	Pulizia e disinfezione	55
1.3	Garanzia commerciale	46	7.3	Sostituzione delle ruote	56
1.4	Utilizzo conforme agli scopi previsti	46	8	Dopo l'uso	56
1.5	Durata	46	8.1	Stoccaggio	56
2	Sicurezza	47	8.2	Riutilizzo	56
2.1	Informazioni per la sicurezza	47	8.3	Smaltimento	56
3	Descrizione	47	9	Risoluzione guasti	57
3.1	Componenti	47	9.1	Identificazione e riparazione dei guasti	57
3.2	Etichetta di identificazione	48	10	Dati tecnici	58
4	Montaggio e installazione	48	10.1	Peso e dimensioni	58
4.1	Informazioni per la sicurezza	48	10.2	Materiali	58
4.2	Montaggio del rialzo per doccia e WC	48			
4.3	Montaggio/smontaggio delle ruote ad azionamento manuale (opzionali)	52			
5	Operazione	53			
5.1	Informazioni per la sicurezza	53			
5.2	Basculamento dei braccioli	54			
5.3	Basculamento dei poggiatesta	54			
5.4	Smontaggio/montaggio del cinturino per caviglie	54			
5.5	Smontaggio/montaggio della piastra del sedile	54			
6	Trasporto	55			
6.1	Informazioni per la sicurezza	55			

I Generale

I.1 Informazioni generali

Questo manuale contiene informazioni e note sull'uso corretto e sicuro del rialzo per doccia e WC.

Si prega di leggere attentamente il presente manuale d'uso prima di utilizzare il prodotto.

Le indicazioni di posizione (A, B, C, ecc.) nelle istruzioni d'uso fanno sempre riferimento alla figura precedente.

I.2 Simboli

Attenzione

Questo manuale d'uso contiene simboli di avvertimento per indicare eventuali pericoli. Tali simboli sono accompagnati da un'intestazione che indica la gravità del pericolo.



ATTENZIONE

Indica una situazione di pericolo che, se non evitata, potrebbe essere causa di morte o lesioni gravi.



AVVERTENZA

Indica una situazione di pericolo che, se non evitata, potrebbe essere causa di lesioni minori o leggere.



IMPORTANTE

Indica una situazione di pericolo che, se non evitata, potrebbe essere causa di danni alla proprietà.

Consigli e raccomandazioni



Indica consigli utili, raccomandazioni e informazioni per un uso efficace e senza inconvenienti.

I.3 Garanzia commerciale

Forniamo una garanzia del produttore per il prodotto in conformità alle nostre condizioni generali di vendita. La garanzia può essere fatta valere solo attraverso il rivenditore autorizzato locale.

Qualità

La qualità è di fondamentale importanza per la nostra azienda e tutti i processi sono basati sulle norme ISO 9001 e ISO 13485.

Il prodotto soddisfa i requisiti della norma DIN EN 12182.

In caso servissero ulteriori informazioni, si prega di contattare la filiale INVACARE® competente nel paese di riferimento (gli indirizzi di contatto sono riportati sul retro del presente manuale d'uso).

I.4 Utilizzo conforme agli scopi previsti

Il rialzo per doccia e WC è concepito esclusivamente come ausilio per la doccia o il bagno, per l'utilizzo del WC o per lo spostamento dei pazienti in ambienti al coperto. Non usare per nessun altro scopo.



ATTENZIONE Pericolo di lesioni

- Non utilizzare mai il prodotto come ausilio per entrare o uscire dalla vasca da bagno, per salire o scendere, come supporto o per scopi simili.
- Non utilizzare il prodotto all'aperto.

Come rialzo per WC, è possibile utilizzare il prodotto su un WC standard o in modo indipendente con la padella (opzionale).

Il rialzo per doccia e WC può essere utilizzato come sgabello da bagno in una piscina, solo se la piscina non contiene acqua salata e sotto la costante sorveglianza di un accompagnatore.

Temperatura di esercizio: 10 - 65 °C

I.5 Durata

La durata prevista per questo prodotto è di cinque anni, a condizione che sia utilizzato in conformità alle istruzioni per la sicurezza e per l'uso previsto del prodotto e che siano rispettati gli intervalli di manutenzione. La durata effettiva può variare a seconda della frequenza e dell'intensità d'uso.

2 Sicurezza

2.1 Informazioni per la sicurezza



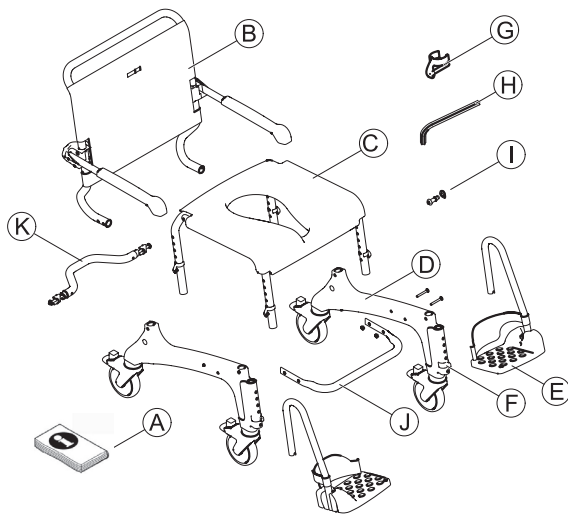
ATTENZIONE Pericolo di lesioni

- ▶ Non utilizzare un prodotto difettoso.
- ▶ In caso di malfunzionamento, contattare immediatamente il rivenditore.
- ▶ Non apportare al prodotto modifiche o alterazioni non autorizzate.
- ▶ Utilizzare solo gli accessori destinati a questo prodotto.

3 Descrizione

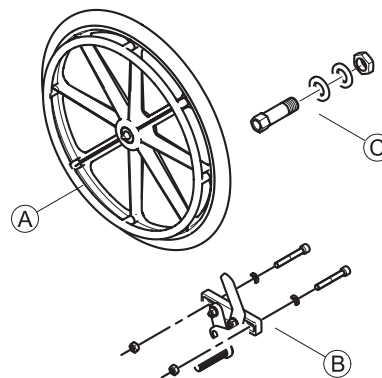
3.1 Componenti

AQUATEC® Ocean/ Ocean XL viene fornito con i componenti seguenti:



Ⓐ	Manuale d'uso
Ⓑ	Schienale con rivestimento e braccioli
Ⓒ	Telaio della seduta con piastra del sedile
Ⓓ	Parti laterali con ruote (2 x)
Ⓔ	Poggiapiedi con cinturino per caviglie (2 x)
Ⓕ	Morsetti (2 x) per poggiapiedi (inserito)
Ⓖ	Morsetti (4 x) per telaio della seduta
Ⓗ	Chiave a brugola AF da 4
Ⓘ	Viti (4 x) e rondelle curve (4 x)
Ⓙ	Tubo di stabilizzazione di base con viti (4 x) e dadi (4 x) – solo per Ocean XL
Ⓚ	Tubo di stabilizzazione con spessori, viti e dadi

Le seguenti parti vengono fornite con le ruote ad azionamento manuale freno di stazionamento:

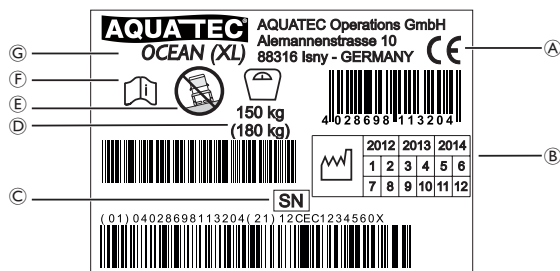


(A)	Ruote ad azionamento manuale (2 x)
(B)	Freni di stazionamento:(2 x)
(C)	Mozzi (2 x)

Si tenga presente la variazione delle dimensioni conseguente all'installazione delle ruote ad azionamento manuale. I dettagli sono forniti nella documentazione tecnica.

3.2 Etichetta di identificazione

L'etichetta di identificazione riporta informazioni importanti:



(A)	Contrassegno di conformità
(B)	Data di produzione del prodotto
(C)	Numero di serie del dispositivo
(D)	Portata
(E)	Nota (utilizzare solo su superfici piane)
(F)	Nota (rispettare i documenti in dotazione)
(G)	Nome del modello



L'etichetta di identificazione è posizionata all'interno della parte laterale destra.

4 Montaggio e installazione

4.1 Informazioni per la sicurezza

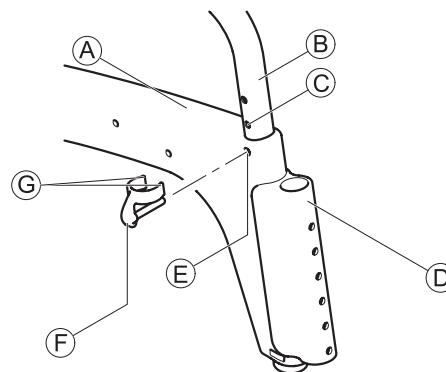
! IMPORTANTE

- Prima della messa in servizio controllare che le parti non presentino danni dovuti al trasporto e contattare il rivenditore, se necessario.
- Assicurarsi che durante il montaggio le parti siano posizionate correttamente l'una rispetto all'altra.

4.2 Montaggio del rialzo per doccia e WC

Questa sezione descrive il montaggio. Lo smontaggio avviene nell'ordine inverso.

Montaggio delle parti laterali



3. Togliere i morsetti (F) dalla busta.
4. Posizionare il telaio della seduta sul suo lato.

! IMPORTANTE

- ▶ Spingere la parte laterale in modo uniforme sulla struttura senza ruotarla.
 - ▶ Fissare la parte laterale alla stessa altezza, davanti e dietro.
5. Premere la parte laterale (A) con le guide per i poggiapiedi (D) in avanti sul telaio della seduta (B).
 6. Allineare le staffe a morsetto (E) sulla parte anteriore e posteriore della parte laterale con un foro presente nella telaio della seduta (C).
 7. Inserire i morsetti (F) dall'esterno nella parte laterale, fino a che entrambe le estremità (G) avvolgono il tubo del telaio della seduta (B).

! IMPORTANTE

- ▶ Assicurarsi che le parti laterali destra e sinistra siano posizionate alla stessa altezza.
8. Girare il telaio della seduta e ripetere la procedura sulla seconda parte laterale.
 9. Dopo aver montato le parti laterali, posizionare il telaio della seduta sulle proprie ruote.

Regolazione dell'altezza del sedile

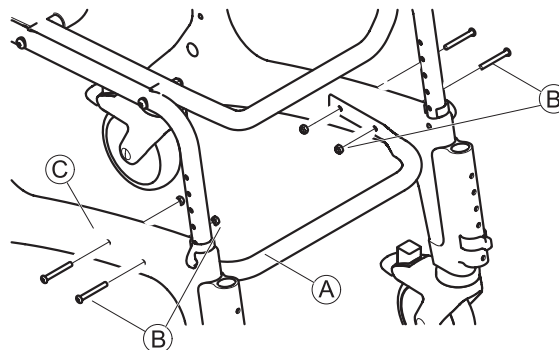
! IMPORTANTE

L'altezza del sedile deve essere regolata a seconda dell'utilizzatore. Generalmente è regolata correttamente se l'utente riesce a sedersi sul rialzo per doccia e WC con entrambi i piedi appoggiati sul pavimento.

- ▶ Regolare l'altezza allo stesso livello su entrambi i lati.
 - ▶ Non regolare l'altezza del sedile mentre c'è una persona seduta sul rialzo per doccia e WC.
1. Sollevare leggermente il rialzo per doccia e WC da un lato del telaio della seduta (B).
 2. Rimuovere entrambi i morsetti (F) da questo lato.

3. Per regolare l'altezza del sedile, estrarre il telaio della seduta dalla parte laterale (A) oppure premerlo fino a inserirlo nella parte laterale.
4. Spingere entrambi i morsetti fino in fondo.
5. Sollevare l'altro lato e impostare la stessa altezza, come descritto.

Montaggio del tubo di stabilizzazione di base (solo per Ocean XL)



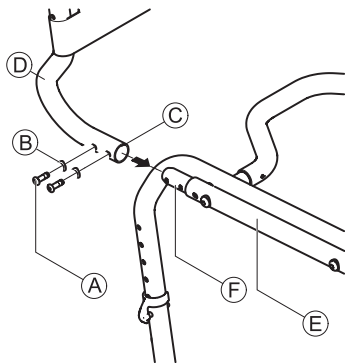
1. Posizionare il tubo di stabilizzazione di base (A) mediante le viti e i dadi (B) presenti tra le parti laterali (C).

Montaggio dello schienale

1. Fissare tutte e quattro le ruote. Per fare ciò, premere verso il basso la levetta rossa presente sulle ruote.

! IMPORTANTE

- Assicurarsi che i braccioli siano rivolti in avanti quando si trovano in posizione aperta.



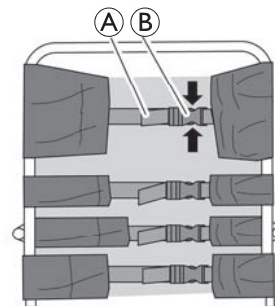
2. Inserire lo schienale (D) dal retro del telaio della seduta (E), fino a che la fascetta (C) si attesta al tubo del telaio della seduta (F).

! IMPORTANTE

- La parte arrotondata delle rondelle curve deve essere posizionata sul tubo del telaio della seduta.
 - Serrare saldamente le viti con la chiave a brugola. La coppia è di 5 Nm.
 - Controllare le viti regolarmente per assicurarsi che siano ben salde.
3. Posizionare una rondella curva (B) su ciascuna vite (A) e fissare lo schienale, a sinistra e a destra, mediante le due viti su ciascun lato.

Regolazione del rivestimento dello schienale

È possibile regolare il tensionamento dello schienale in base alle proprie preferenze.



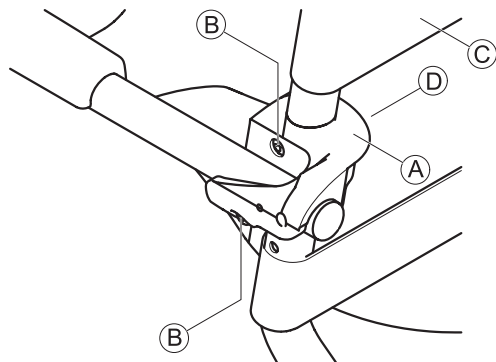
Tensionamento

1. Tirare le cinghie (A) del rivestimento dello schienale.

Allentamento

1. Aprire le fibbie (B) premendo i manici di ritenuta tra di loro (freccie).
2. Spingere leggermente all'indietro le cinghie attraverso la fibbia.
3. Chiudere le fibbie della cinghia.
4. Stringere di nuovo leggermente le cinghie.

Regolazione dell'altezza dei braccioli



! IMPORTANTE

- ▶ Regolare l'altezza dei braccioli secondo le esigenze dell'utilizzatore.
- ▶ Regolare l'altezza dei braccioli allo stesso livello su entrambi i lati.
- ▶ Regolare l'altezza dei braccioli destro e sinistro allo stesso modo.

1. Sul rivestimento dello schienale, aprire la fibbia della cinghia che passa all'interno della struttura dello schienale.
2. Sul rivestimento dello schienale, aprire la fibbia della cinghia © che passa sopra il bracciolo.
3. Far passare questa cinghia all'interno della struttura dello schienale e richiudere.



I dadi sono inseriti nel morsetto di fissaggio senza essere serrati, pertanto possono cadere.

4. Svitare le viti © della staffa del bracciolo © mediante la chiave a brugola in dotazione.
5. Togliere il fermo di fissaggio © con i dadi dall'interno della struttura della schienale.
6. Togliere la staffa dello schienale © con il bracciolo e sposterla verso l'alto.



Il foro più piccolo serve a fissare il morsetto di fissaggio.

7. Inserire le viti nella staffa del bracciolo e guidarle attraverso i fori nella struttura dello schienale.
8. Se necessario, rimettere i dadi nel morsetto di fissaggio.
9. Posizionare il morsetto di fissaggio sulla struttura dello schienale in modo che il morsetto di fissaggio entri nel foro più piccolo.
10. Girare le viti nei dadi e serrare.
11. Far passare la cinghia del rivestimento dello schienale ancora aperta dall'esterno della struttura dello schienale, chiuderla e serrare tutte le cinghie.



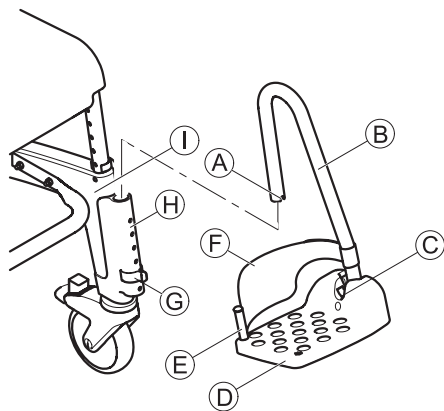
! IMPORTANTE

- I braccioli possono essere abbassati mediante la stessa procedura.
- ▶ Durante la trasformazione nella posizione abbassata, la cintura sotto il bracciolo deve essere agganciata e fatta passare all'interno della struttura dello schienale.

Montaggio dei poggiapiedi

! IMPORTANTE

- Il montaggio dei poggiapiedi destro e sinistro avviene nello stesso modo.



1. Spingere il poggiapiedi B con la pedana D nella guida H sul davanti della parte laterale I affinché la scanalatura A si innesti con il perno del morsetto G. Il poggiapiedi non può più essere girato lateralmente.

Regolazione dell'altezza dei poggiapiedi

1. Tirare leggermente il poggiapiedi B verso l'alto.
2. Estrarre il morsetto C e spingerlo nella posizione desiderata. Se necessario, eseguire questa operazione per estrarre leggermente il poggiapiedi.
3. Spingere il poggiapiedi verso il basso affinché la scanalatura A si innesti con il perno del morsetto.
4. Installare il secondo poggiapiedi all'altezza desiderata in base alle proprie esigenze.

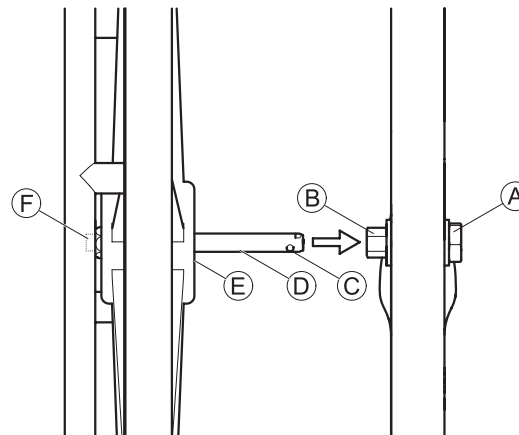
Regolazione dell'inclinazione dei poggiapiedi

! IMPORTANTE

- L'inclinazione delle pedane può essere regolata continuamente.
- Regolare i poggiapiedi destro e sinistro nello stesso modo.

1. Allentare la vite a brugola C sulla pedana servendosi della chiave a brugola da 4.
2. Portare la pedana D nella posizione desiderata.
3. Serrare nuovamente la vite a brugola.

4.3 Montaggio/smontaggio delle ruote ad azionamento manuale (opzionali)



**IMPORTANTE**

- Si tenga presente che le ruote ad autospinta cambiano dimensioni al momento della loro installazione.
- I montaggio delle ruote ad autospinta avviene nello stesso modo.
- I mozzi e i freni di stazionamento per le ruote ad azionamento manuale devono essere montati da un rivenditore. Il montaggio è descritto nelle istruzioni di montaggio „Montaggio dei mozzi e freni per le ruote Aquatec® Ocean da 24“.

1. Allineare tutte e quattro le ruote nella direzione di marcia.
 2. Bloccare tutte le ruote.
 3. Spingere l'asse ① verso l'interno sulla ruota ad azionamento manuale. (I corrimano sporgono verso l'esterno.)
 4. Premere e tenere premuto il pulsante ② sull'esterno dell'asse. Quest'operazione libera le sfere di ritenuta ③ all'estremità dell'asse.
 5. Sollevare leggermente il rialzo per doccia e WC.
 6. Inserire l'asse nel mozzo ④ e premere in la ruota ad azionamento manuale sull'asse fino all'estremità ⑤.
 7. Rilasciare i pulsante.
 8. Premere le sfere di ritenuta verso l'esterno in modo che rimangano dietro il dado esagonale ⑥.
- Rimuovere le ruote utilizzando la stessa procedura in ordine inverso.

5 Operazione**5.1 Informazioni per la sicurezza****ATTENZIONE**

- Bloccare il freno di stazionamento nella posizione di stazionamento.
- Utilizzare il rialzo per doccia e WC solo su una superficie piana e solo al coperto.
- Tenere presente le specifiche presenti sull'etichetta di identificazione. Non sovraccaricare il rialzo per doccia e WC.
- Prima di ogni utilizzo controllare sempre visivamente che il prodotto non presenti danni esterni.
- Non utilizzare un prodotto difettoso.

**ATTENZIONE** Rischio di scivolo e di ribaltamento

- Prima dell'utilizzo, assicurarsi che la superficie del sedile sia fissata correttamente al telaio della seduta.
- Bloccare tutte e quattro le ruote con le levette rosse prima di sedersi o di alzarsi dal rialzo, anche quando in posizione di stazionamento. Al momento del montaggio delle ruote ad azionamento manuale applicare il freno di stazionamento (opzionale).

**ATTENZIONE** Rischio di ribaltamento

- Ruotare lateralmente i poggiatesta prima di sedersi o di alzarsi o prima di piegare le pedane verso l'alto.
- Non salire sui poggiatesta.

**AVVERTENZA** Pericolo di schiacciamento

- Quando si utilizzano le ruote ad azionamento manuale (opzionale), non inserire le dita tra i raggi o tra le ruote ad azionamento manuale e il telaio della seduta mentre il prodotto è in movimento.

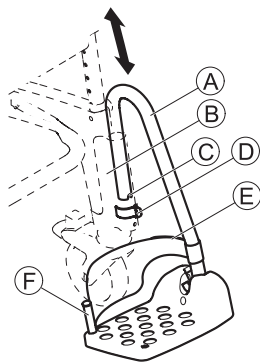
5.2 Basculamento dei braccioli



AVVERTENZA Pericolo schiacciamento delle dita nelle giunture

- ▶ Non afferrare le giunture quando si ribaltano i braccioli verso l'alto o verso il basso.
- ▶ Assicurarsi che nessuna parte venga schiacciata nel meccanismo.
- ▶ Non mettere le mani tra il bracciolo e lo schienale quando questi vengono piegati.

5.3 Basculamento dei poggiatesta



Posizione di accesso/posizione di uscita:

1. Tirare leggermente il poggiatesta **A** nella guida **B** verso l'alto, finché la scanalatura **C** non si innesti più nel perno del morsetto **D**.
2. Basculamento laterale del poggiatesta.

Posizione di guida:



AVVERTENZA Pericolo di incidenti a causa di poggiatesta allentato

- ▶ Fissare i poggiatesta nella posizione di guida.

1. Girare il poggiatesta **A** verso l'interno.
2. Spingere il poggiatesta verso il basso affinché la scanalatura **C** si innesti nel perno del morsetto **D**.

5.4 Smontaggio/montaggio del cinturino per caviglie

1. Aprire il nastro a Velcro® **E** sul cinturino per caviglie.
2. Togliere la vite **F** dalla parte inferiore della pedana.
3. Togliere il cinturino per caviglie dal perno in plastica flessibile.

Allacciare il cinturino utilizzando la stessa procedura in ordine inverso.



! IMPORTANTE

Durante l'installazione assicurarsi che il nastro a Velcro® del cinturino per caviglie sia rivolto all'indietro.

5.5 Smontaggio/montaggio della piastra del sedile

Rimozione:

1. Sollevare la piastra del sedile da entrambi i lati.

Montaggio:



AVVERTENZA Pericolo di schiacciamento delle dita

- ▶ Non mettere le dita tra la superficie del sedile e il telaio della seduta quando la piastra del sedile viene premuta verso il basso.

1. Posizionare la piastra del sedile sul telaio della seduta con la scanalatura rivolta in avanti.
2. Spingere la piastra del sedile all'indietro fino in fondo.
3. Tenendo la mano piatta, premere la piastra del sedile verso il basso sui lati e nella parte anteriore e posteriore fino a far scattare la piastra del sedile nel telaio della seduta.

6 Trasporto

6.1 Informazioni per la sicurezza



Il prodotto può essere smontato per il trasporto in tutte le sue parti (Sezione 3.1 Componenti).

- Smontare il prodotto, vedere la sezione 4 „Montaggio e installazione“.

7 Manutenzione

7.1 Manutenzione e ispezione

L'osservanza delle note per la pulizia e la sicurezza, rende il prodotto esente da manutenzione.

- Controllare regolarmente che il prodotto non sia danneggiato e assicurarsi che sia ben assemblato.
- In caso di danni e/o eventuali riparazioni, contattare immediatamente il rivenditore.
- Il prodotto deve essere controllato da un rivenditore autorizzato prima di ogni riutilizzo o al più tardi dopo 24 mesi (vedere le raccomandazioni del produttore per la rigenerazione dei prodotti associazione industriale SPECTARIS).

7.2 Pulizia e disinfezione

Il prodotto può essere pulito e disinfettato con prodotti disponibili in commercio.



IMPORTANTE

In bagno, l'igiene è particolarmente importante.

- Tenere sempre il prodotto pulito lavandolo regolarmente.
- Disinfettare il prodotto strofinando tutte le superfici generalmente accessibili con un disinfettante (se possibile dopo aver smontato il prodotto).



IMPORTANTE

Tutti i prodotti detergenti e disinfettanti utilizzati devono essere efficaci, compatibili tra loro e devono proteggere i materiali per cui vengono utilizzati durante la pulizia. Per quanto riguarda il tempo di contatto e la concentrazione, consultare l'elenco dei disinfettanti rilasciato dalla Verbund für Angewandte Hygiene e.V. (– Associazione per l'igiene applicata), nonché dalla Deutsche Vereinigung zur Bekämpfung der Viruskrankheiten e.V. (– Associazione tedesca per la lotta contro le malattie virali).

- Pulizia a mano.
- Non pulirlo con prodotti abrasivi.

Pulizia in un ambiente domestico



IMPORTANTE Pericolo di danneggiamento

- Non smontare le staffe per gli accessori.

1. Rimuovere tutti gli accessori installati.
2. Togliere i poggiatesta dalle guide.
3. Rimuovere la piastra della seduta e il rivestimento dello schienale.
4. Togliere le parti laterali, vedere la Sezione 4 „Montaggio e installazione“.
5. Reinscrivere immediatamente i morsetti nel telaio della seduta in modo non posizionarli in modo sbagliato.
6. Lavare le singole parti con un panno o una spazzola e detergenti e disinfettanti disponibili in commercio.
7. Risciacquare con acqua calda.
8. Asciugare le parti con un panno.
9. Rimontare il prodotto, vedere la Sezione 4 „Montaggio e installazione“.

Pulizia in un ambiente ospedaliero



AVVERTENZA Pericolo di ustioni

Dopo la pulizia, lasciare raffreddare il prodotto nell'autoclave.

1. Oltre alla pulizia descritta sopra, pulire il prodotto a intervalli regolari a 85°C per 3 minuti nell'autoclave.

Pulizia del rivestimento dello schienale (opzionale)

1. Togliere il rivestimento dello schienale.
2. Lavare il rivestimento in lavatrice a massimo 60°C con detergente delicato.



IMPORTANTE Pericolo di danneggiamento

- Waschen bei höheren Temperaturen kann Einlaufen zur Folge haben.
- Bezüge nicht im Wäschetrockner trocknen.

7.3 Sostituzione delle ruote



ATTENZIONE Rischio di incidenti dovuti all'errato montaggio delle ruote.

Le ruote devono essere sostituite da un rivenditore.

8 Dopo l'uso

8.1 Stoccaggio



IMPORTANTE Pericolo di danneggiamento

- Conservare il prodotto in un luogo asciutto a una temperatura compresa tra 0°C e 40°C e una pressione atmosferica compresa tra 860 e 1060 hPa e un'umidità dal 30 al 75%.
- Non conservare il prodotto vicino a fonti di calore.
- Non esporre il prodotto alla luce diretta del sole.

8.2 Riutilizzo

Il prodotto è adatto ad essere riutilizzato. Il numero di impieghi dipende dalla frequenza e dal tipo di impiego del prodotto. Prima di riutilizzare il prodotto, pulirlo e controllarne la sicurezza tecnica, eventualmente ripristinarla.

8.3 Smaltimento

Lo smaltimento e il riciclaggio degli apparecchi vecchi e dell'imballaggio devono essere eseguiti in conformità alle disposizioni di legge vigenti.

Consultare il produttore per i dettagli relativi al corretto smaltimento.

9 Risoluzione guasti

9.1 Identificazione e riparazione dei guasti

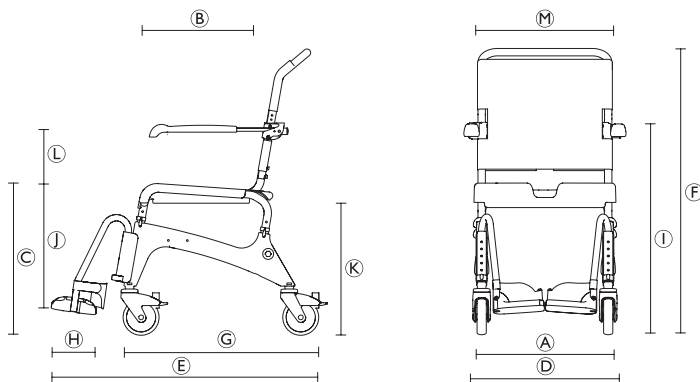


La tabella seguente fornisce informazioni sui malfunzionamenti e le possibili cause.

Qualora non fosse possibile correggere il malfunzionamento mediante i rimedi forniti, si prega di contattare direttamente il proprio rivenditore.

Guasto	Causa possibile	Rimedio
La regolazione dell'altezza della seduta è resa difficoltosa dalla sua rigidità	Depositi tra il telaio della seduta e la parte del sedile	▸ Smontare il prodotto in tutte le sue parti e pulirlo completamente.
La ruota non gira affatto o solo con difficoltà.	Sporcizia tra la forcella e il cerchione	▸ Pulire completamente le ruote.
I poggiapiedi ruotano con difficoltà	Depositi nelle guide	▸ Togliere i poggiapiedi e pulire completamente.
Il freno di stazionamento delle ruote ad azionamento manuale (opzionale) non si innesta	Freno di stazionamento regolato in modo errato	▸ Regolare il freno di stazionamento

10 Dati tecnici



10.1 Peso e dimensioni

D	Larghezza totale (Ocean)	560 mm
	Larghezza totale (Ocean XL)	640 mm
	Larghezza totale con ruote ad azionamento manuale	675 mm
E	Profondità	934 mm
	Profondità con ruote ad azionamento manuale	1060 mm
G	Profondità senza pedane	700 mm
H	Profondità della pedana	155 mm
F	Altezza	964 - 1094 mm
I	Altezza ai braccioli	680 - 850 mm
J	Altezza dalle pedane al sedile	255 - 495 mm
A	Larghezza del sedile	480 mm

B	Profondità del sedile	450 mm
C	Altezza del sedile	477 - 600 mm
	Larghezza minima tra le parti laterali	circa 381 mm
K	Distanza minima tra il pavimento e la staffa per la padella	circa 408 mm
	Peso	circa 15 kg
	Portata (Ocean)	150 kg
	Portata (Ocean XL)	180 kg

10.2 Materiali

Struttura	In acciaio inox, rivestito in polvere
Piastra del sedile	Polipropilene
Rivestimento dello schienale	Nylon, rivestito in PVC
Poggiatesta	Polipropilene, rinforzato con fibra di vetro
Parti laterali	Polipropilene, rinforzato con fibra di vetro
Braccioli	Polipropilene
Ruote	Parti in plastica e in acciaio inox

1	General	60	7	Mantenimiento	69
1.1	Información general	60	7.1	Mantenimiento e inspección	69
1.2	Explicación de símbolos	60	7.2	Limpieza y desinfección	69
1.3	Garantía	60	7.3	Cambio de las ruedas	70
1.4	Uso debido	60	8	Después de utilización	70
1.5	Vida útil	60	8.1	Almacenamiento	70
2	Seguridad	61	8.2	Uso repetido	70
2.1	Información sobre seguridad	61	8.3	Eliminación	70
3	Descripción	61	9	Subsanación de averías	71
3.1	Componentes	61	9.1	Identificación y solución de fallos	71
3.2	Etiqueta de identificación	62	10	Datos técnicos	72
4	Montaje e instalación	62	10.1	Dimensiones y peso	72
4.1	Información sobre seguridad	62	10.2	Materiales	72
4.2	Montaje de la silla de ducha y WC	62			
4.3	Montaje/desmontaje de las ruedas autopropulsables (opcionales)	66			
5	Utilización	67			
5.1	Información sobre seguridad	67			
5.2	Giro de los reposabrazos	68			
5.3	Giro de los reposapiés	68			
5.4	Desmontaje/montaje de la correa para el talón	68			
5.5	Desmontaje/montaje de la placa del asiento	68			
6	Transporte	69			
6.1	Información sobre seguridad	69			

I General

I.1 Información general

En este manual de usuario se incluye información y anotaciones sobre el uso adecuado y seguro de la silla de ducha y WC.

Lea este manual del usuario atentamente antes de utilizar el producto.

Las especificaciones de posición (A, B, C, etc.) de las instrucciones de manejo siempre se refieren a la figura anterior.

I.2 Explicación de símbolos

Advertencias

En este Manual del usuario, las advertencias están indicadas con símbolos. A los símbolos de las advertencias se les añade un encabezado que indica la gravedad del peligro.



ADVERTENCIA

Indica una situación peligrosa que, si no se evita, puede tener como consecuencia la muerte o lesiones graves.



PRECAUCIÓN

Indica una situación peligrosa que, si no se evita, puede tener como consecuencia lesiones menos graves.



IMPORTANTE

Indica una situación peligrosa que, si no se evita, puede tener como consecuencia daños en la propiedad.

Consejos y recomendaciones



Proporciona consejos útiles, recomendaciones e información para un uso eficiente y sin problemas.

I.3 Garantía

Ofrecemos la garantía del fabricante del producto conforme a nuestras Condiciones generales y Condiciones comerciales. Las reclamaciones sobre la garantía solamente se podrán realizar a través del distribuidor correspondiente.

Calidad

La calidad es muy importante para nuestra empresa; todos los procesos se basan en las normas ISO 9001 e ISO 13485.

El producto cumple los requisitos de la norma DIN EN 12182.

Si necesita información adicional, póngase en contacto con la subsidiaria de INVACARE® en su país (la información de contacto se incluye en la contraportada de este manual del usuario).

I.4 Uso debido

La silla de ducha y WC se ha diseñado exclusivamente como ayuda para la ducha o el baño, para utilizar el inodoro o para trasladar a los pacientes en interiores. No utilizar para ningún otro fin.



ADVERTENCIA Peligro de lesiones

- No utilice nunca el producto como ayuda para entrar o salir de la bañera, para subir o bajar cuestas, como soporte o para propósitos similares.
- No utilice el producto en exteriores.

Como silla de WC, puede utilizar el producto sobre un inodoro estándar o de forma independiente con la cubeta de WC (opcional).

En piscinas, la silla de ducha y WC solo puede utilizarse como silla de baño si la piscina no contiene agua salada y bajo la vigilancia constante de otra persona.

Temperatura de funcionamiento: 10 - 65 °C

I.5 Vida útil

La vida útil prevista para este producto es de cinco años, siempre y cuando se utilice de conformidad con las instrucciones de seguridad y se respeten los intervalos de mantenimiento y el uso previsto, tal y como se indica en el presente manual. La vida útil real puede variar en función de la frecuencia y la intensidad del uso.

2 Seguridad

2.1 Información sobre seguridad



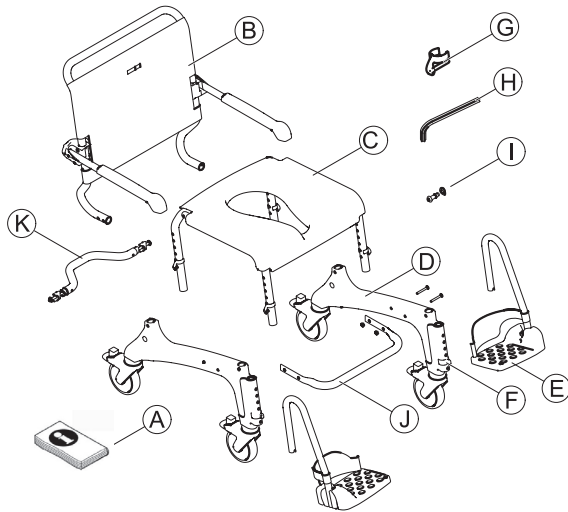
ADVERTENCIA Peligro de lesiones

- ▶ No utilice el producto si está defectuoso.
- ▶ En caso de mal funcionamiento, póngase en contacto inmediatamente con el distribuidor.
- ▶ No realice cambios o alteraciones no autorizados en el producto.
- ▶ Utilice únicamente los accesorios diseñados para este producto.

3 Descripción

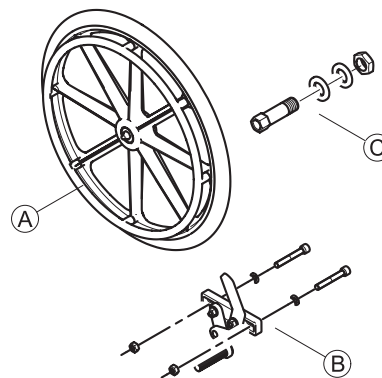
3.1 Componentes

Los componentes siguientes se incluyen con la entrega de la AQUATEC® Ocean/ XL:



Ⓐ	Manual del usuario
Ⓑ	Respaldo con tapizado y reposabrazos
Ⓒ	Chasis del asiento con placa del asiento
Ⓓ	Piezas laterales con ruedas (2)
Ⓔ	Reposapiés con correa para talón (2)
Ⓕ	Clips (2) para reposapiés (insertados)
Ⓖ	Clips (4) para chasis del asiento
Ⓗ	Llave Allen AF 4
Ⓘ	Tornillos (4) y arandelas curvadas (4)
Ⓙ	Tubo de estabilización de la base con tornillos (4) y tuercas (4) - solo Ocean XL
Ⓚ	Tubo de estabilización de la base con separadores, tornillos y tuercas

Los componentes siguientes se incluyen con la entrega de las ruedas autopropulsables con freno de estacionamiento:

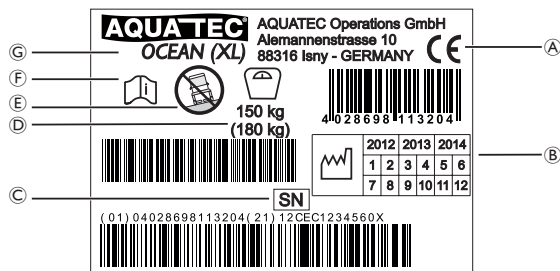


Ⓐ	Ruedas autopropulsables (2)
Ⓑ	Frenos de estacionamiento (2)
Ⓒ	Cubos (2)

Tenga en cuenta el cambio de dimensiones cuando se ajustan las ruedas autopropulsables. Los detalles se incluyen en los datos técnicos.

3.2 Etiqueta de identificación

La placa de identificación también incluye información importante:



Ⓐ	Marca de conformidad
Ⓑ	Tiempo de fabricación
Ⓒ	Número de serie del dispositivo
Ⓓ	Capacidad de carga
Ⓔ	Nota (usar solo en superficies planas)
Ⓕ	Nota (cumplir las instrucciones de los documentos que se incluyen)
Ⓖ	Designación del dispositivo



La placa de identificación está situada en el interior de la pieza lateral derecha.

4 Montaje e instalación

4.1 Información sobre seguridad

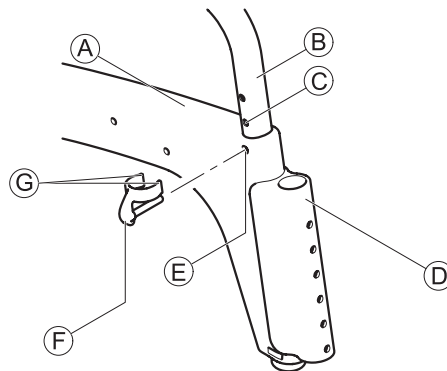
! IMPORTANTE

- ▶ Antes de utilizar la silla, compruebe si los componentes han sufrido algún daño durante el transporte y póngase en contacto con el distribuidor si es necesario.
- ▶ Durante el montaje, compruebe que las piezas están correctamente situadas unas con respecto a otras.

4.2 Montaje de la silla de ducha y WC

En esta sección se describe el montaje. El desmontaje se lleva a cabo en orden inverso.

Montaje de las piezas laterales



1. Saque de la bolsa los clips Ⓕ que se incluyen.
2. Coloque el chasis del asiento sobre su lateral.

! IMPORTANTE

- ▶ Presione la pieza lateral de forma uniforme sobre el chasis y no la gire.
 - ▶ Asegure la pieza lateral a la misma altura, delantera y trasera.
3. Introduzca la pieza lateral (A) con las guías para los reposapiés (D) hacia delante en el chasis del asiento (B).
 4. Haga coincidir los soportes de los clips (E) de la parte delantera y trasera de la pieza lateral con un orificio del chasis del asiento (C).
 5. Introduzca los clips (F) desde fuera en la pieza lateral hasta que los dos extremos rodeen (C) el tubo del chasis del asiento (B).

! IMPORTANTE

- ▶ Compruebe que las piezas laterales izquierda y derecha están situadas a la misma altura.
6. Gire el chasis del asiento y repita el procedimiento para la segunda pieza lateral.
 7. Coloque el chasis del asiento con las piezas laterales montadas sobre sus ruedas.

Ajuste de la altura del asiento

! IMPORTANTE

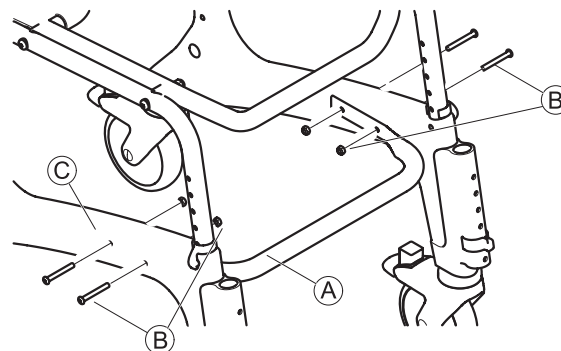
La altura del asiento debe adaptarse al usuario. Se considera que la altura está bien ajustada si el usuario puede sentarse en la silla de ducha y WC con ambos pies apoyados en el suelo.

- ▶ Cambie la altura al mismo nivel en ambos lados.
- ▶ No ajuste la altura del asiento mientras haya alguien sentado en la silla de ducha y WC.

1. Levante ligeramente la silla de ducha y WC de un lado agarrándola del chasis del asiento (B).
2. Quite los dos clips (F) de este lateral.

3. Tire del chasis del asiento para sacarlo de la pieza lateral (A) o presiónelo dentro de la pieza lateral para ajustar la altura del asiento.
4. Vuelva a insertar totalmente los dos clips.
5. Levante el otro lateral y ajústelo a la misma altura según se ha descrito.

Ajuste del tubo de estabilización de la base (solo Ocean XL)



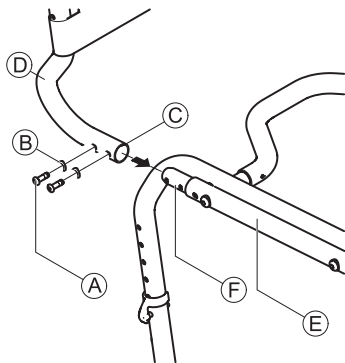
1. Ajuste el tubo de estabilización de la base (A) utilizando los tornillos y las tuercas facilitados (B) entre las piezas laterales (C).

Rückenlehne montieren

1. Bloquee las cuatro ruedas. Para hacerlo, presione la palanca de pie roja de las ruedas.

! IMPORTANTE

- Compruebe que los reposabrazos quedan hacia afuera cuando la silla está plegada.



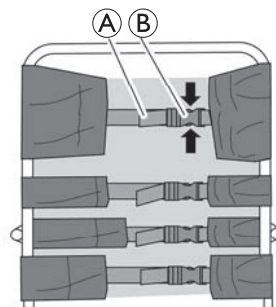
2. Inserte el respaldo **D** desde detrás en el chasis del asiento **E**, hasta que la parte del cuello **C** esté al lado del tubo del chasis del asiento **F**.

! IMPORTANTE

- La parte redondeada de las arandelas curvas debe descansar sobre el tubo del chasis del asiento.
 - Apriete fuerte los tornillos con la llave Allen suministrada. El par de apriete es de 5 Nm.
 - Compruebe periódicamente los tornillos para asegurarse de que están bien apretados.
3. Coloque una arandela curvada **B** en cada tornillo **A** y asegure el respaldo, parte derecha e izquierda, con dos tornillos en cada lateral.

Ajuste de la funda del respaldo

La tensión del respaldo se puede ajustar individualmente.



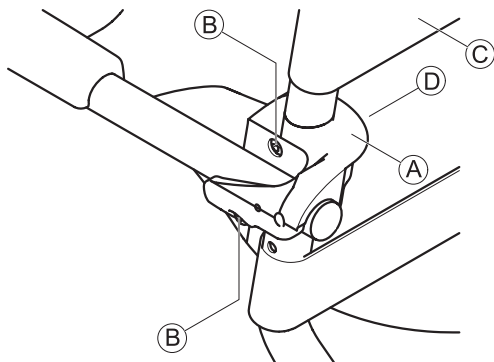
Para tensar

1. Apriete las correas **A** de la funda del respaldo.

Para aflojar la tensión

1. Abra las hebillas **B** presionando los salientes de sujeción (flechas).
2. Afloje un poco las correas a través de la hebilla.
3. Cierre las hebillas de las correas.
4. Vuelva a apretar suavemente las correas.

Ajuste de la altura del reposabrazos



! IMPORTANTE

- Ajuste la altura de los reposabrazos para mayor comodidad del usuario.
- Cambie la altura de los reposabrazos al mismo nivel en ambos lados.
- Ajuste la altura del reposabrazos derecho e izquierdo de la misma forma.

1. En la funda del respaldo, abra la hebilla de la correa que pasa por el interior del chasis del respaldo.
2. En la funda del respaldo, abra la hebilla de la correa © que va por encima del reposabrazos.
3. Pase esta correa por el interior del chasis del respaldo y vuelva a cerrar.



Las tuercas están flojas dentro de la abrazadera de sujeción y pueden caerse.

4. Desatornille los tornillos © del soporte del reposabrazos (A) utilizando la llave Allen suministrada.
5. Quite la abrazadera de sujeción © con las tuercas desde el interior del chasis del respaldo.
6. Quite la abrazadera del respaldo (A) con el reposabrazos y muévalo hacia arriba.



El orificio más pequeño sirve para fijar la abrazadera de sujeción.

7. Inserte los tornillos en la abrazadera del reposabrazos y páselos por los orificios del chasis del respaldo.
8. Si es preciso, vuelva a colocar las tuercas en la abrazadera de sujeción.
9. Coloque la abrazadera de sujeción en el chasis del respaldo de forma que la fijación de la abrazadera sobresalga dentro del orificio más pequeño.
10. Gire los tornillos en las tuercas y apriete.
11. Pase la correa de la funda del respaldo que sigue abierta sobre la parte exterior del chasis del respaldo, cierre y apriete todas las correas.



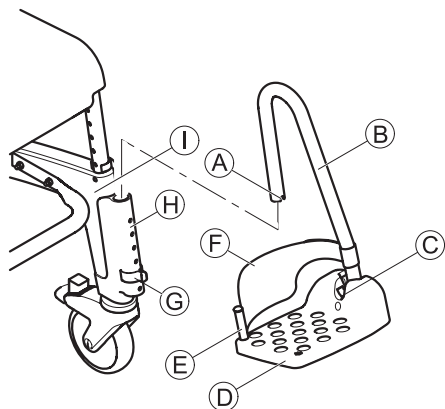
! IMPORTANTE

- Los reposabrazos se bajan utilizando el mismo procedimiento.
- Al pasar a la posición más baja, la correa que está debajo del reposabrazos debe abrirse y pasarse dentro del chasis del respaldo.

Ajuste de los reposapiés

! IMPORTANTE

- El montaje es igual para el reposapiés derecho e izquierdo.



1. Introduzca empujando el reposapiés **B** con la paleta **D** en la guía **H** de la parte delantera de la pieza lateral **1** hasta que la ranura **A** encaje con el pasador del clip **G**. El reposapiés ya no podrá girarse hacia el lateral.

Ajuste de la altura de los reposapiés.

1. Tire del reposapiés **B** un poco hacia arriba.
2. Tire del clip para sacarlo **C** y vuelva a colocarlo en la posición deseada. Si es preciso, tire un poco más del reposapiés para hacerlo.
3. Empuje el reposapiés hacia abajo hasta que la ranura **A** encaje en el pasador del clip.
4. Ajuste el segundo reposapiés a la altura deseada como se ha descrito.

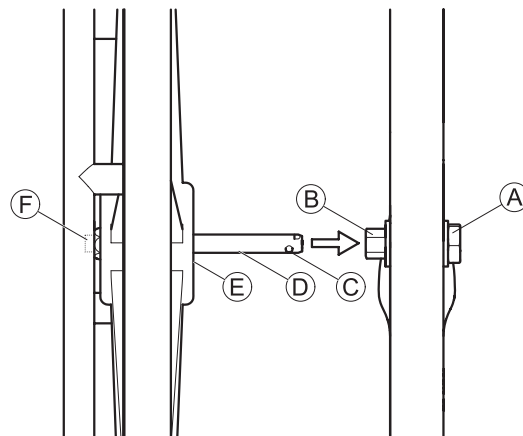
Ajuste de la inclinación de las paletas

! IMPORTANTE

- La inclinación de las paletas se ajusta continuamente.
- Ajuste el reposapiés derecho e izquierdo de la misma forma.

1. Afloje el tornillo Allen **C** de la paleta con una llave Allen tamaño 4.
2. Gire de la paleta **D** hasta la posición deseada.
3. Apriete de nuevo el tornillo Allen.

4.3 Montaje/desmontaje de las ruedas autopropulsables (opcionales)



**IMPORTANTE**

- Cuando se montan las ruedas autopropulsables, las ruedas traseras deben permanecer bloqueadas.
- El montaje es igual para la rueda autopropulsables derecha e izquierda.
- La instalación de los cubos y los frenos de estacionamiento de las ruedas autopropulsables debe realizarla un distribuidor. El montaje se describe en las instrucciones de montaje „Montaje de cubos y frenos para ruedas Aquatec® Ocean de 24 pulgadas“.

1. Alinee las cuatro ruedas en la dirección de la marcha.
2. Bloquee las ruedas.
3. Presione el eje **ⓓ** de la rueda autopropulsables hacia dentro. (Los aros de propulsión sobresalen hacia afuera.)
4. Presione y mantenga presionado el botón **ⓕ** situado en el exterior del eje.

Esto libera las bolas de sujeción **Ⓒ** del extremo del eje.

5. Levante un poco la silla de ducha y WC.
6. Introduzca el eje en el cubo **Ⓑ** y deslice presionando la rueda autopropulsables sobre el eje hasta que llegue al tope **Ⓔ**.
7. Suelte el botón.
8. Presione hacia afuera las bolas de sujeción de forma que queden detrás de la tuerca hexagonal **Ⓐ**.

Desmonte las ruedas siguiendo el mismo procedimiento en orden inverso.

5 Utilización**5.1 Información sobre seguridad****ADVERTENCIA**

- Bloquee los frenos de estacionamiento en la posición de estacionamiento.
- Utilice la silla de ducha y WC solamente en una superficie plana y en interiores.
- Siga las especificaciones de la etiqueta de identificación. No sobrecargue la silla de ducha y WC.
- Antes de utilizarlo, realice siempre una inspección visual del producto para detectar posibles daños externos.
- No utilice el producto si está defectuoso.

**ADVERTENCIA** Riesgo de deslizamiento y vuelco

- Antes de usar la silla, compruebe que la superficie del asiento está bien fijada al chasis del asiento.
- Bloquee las cuatro ruedas utilizando las palancas de pie rojas antes de sentarse o levantarse de la silla, y también en la posición de estacionamiento. Aplique el freno de estacionamiento cuando estén montadas las ruedas autopropulsables (opcional).

**ADVERTENCIA** Riesgo de vuelco

- Gire los reposapiés hacia el lateral antes de sentarse o levantarse, o pliegue hacia arriba las paletas.
- No se ponga de pie sobre los reposapiés.

**PRECAUCIÓN** Peligro de atrapamiento

- Cuando utilice las ruedas autopropulsables (opcional), no meta los dedos entre los radios o las ruedas y el chasis del asiento con la silla en movimiento.

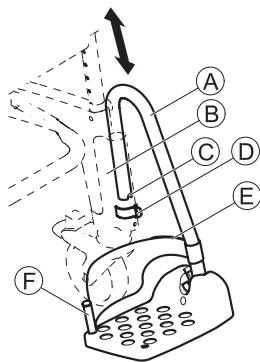
5.2 Giro de los reposabrazos



PRECAUCIÓN Riesgo de pillarse los dedos en el mecanismo de cortinilla

- ▶ No sujete la junta al plegar los reposabrazos hacia arriba o hacia abajo.
- ▶ Compruebe que ningún componente queda pillado en el mecanismo.
- ▶ No sujete la junta entre el reposabrazos y el respaldo al plegar la silla.

5.3 Giro de los reposapiés



Posición de subida/posición de bajada:

1. Tire del reposapiés **A** por la guía **B** ligeramente hacia arriba hasta que la ranura **C** ya no encaje en el pasador del clip **D**.
2. Gire el reposapiés hacia el lateral.

Posición de marcha:



PRECAUCIÓN Riesgo de accidente debido a reposapiés sueltos

- ▶ Fije los reposapiés en la posición de marcha.

1. Gire el reposapiés **A** hacia adentro.
2. Presione el reposapiés hacia abajo hasta que la ranura encaje **C** en el pasador del clip **D**.

5.4 Desmontaje/montaje de la correa para el talón

1. Abra el cierre de Velcro® **E** de la correa para talón.
2. Quite el tornillo **F** de la parte inferior del estribo.
3. Retire la correa de talón del pasador de plástico flexible.

Monte la correa siguiendo el mismo procedimiento en orden inverso.



! IMPORTANTE

Al instalarla, compruebe que la tira de Velcro® de la correa para los talones queda hacia atrás.

5.5 Desmontaje/montaje de la placa del asiento

Desmontaje:

1. Tire de la placa hacia arriba por los dos lados.

Montaje:



PRECAUCIÓN Peligro de atrapamiento

- ▶ No meta los dedos entre la superficie del asiento y el chasis del asiento al presionar sobre la placa del asiento.

1. Coloque la placa del asiento sobre el chasis del asiento con la entalladura hacia delante.
2. Deslice la placa del asiento hacia atrás todo lo que se pueda.
3. Con la palma de la mano, presione la placa del asiento en los laterales y después por delante y por detrás hasta que la placa encaje en el chasis del asiento.

6 Transporte

6.1 Información sobre seguridad



El producto puede desmontarse para su transporte en las piezas que se suministran en la entrega (Sección 3.1 Componentes).

- ▶ Desmante el producto, consulte la Sección 4 „Montaje e instalación“.

7 Mantenimiento

7.1 Mantenimiento e inspección

Si se siguen las indicaciones de limpieza y seguridad proporcionadas, el producto no necesitará mantenimiento.

- ▶ Revise el producto periódicamente para comprobar que no tiene daños y asegurarse de que está montado de forma segura.
- ▶ En caso de daños o reparaciones, póngase en contacto inmediatamente con el distribuidor.
- ▶ El producto debe ser revisado por un distribuidor autorizado antes de cada reutilización o después de 24 meses como muy tarde (consulte la recomendación del fabricante para productos de rehabilitación de la asociación industrial SPECTARIS).

7.2 Limpieza y desinfección

El producto puede limpiarse y desinfectarse con productos disponibles comercialmente.



¡ IMPORTANTE

Como el baño es una zona especial de la casa, la higiene es particularmente importante.

- ▶ Mantenga el producto siempre limpio y lávelo con regularidad.
- ▶ Desinfecte el producto limpiando todas las superficies accesibles con desinfectante (después de desmontarlo, si es posible).



¡ IMPORTANTE

Todos los productos de limpieza y desinfectantes empleados deben ser eficaces, compatibles entre sí y deben proteger los materiales que van a limpiar. Con respecto al tiempo de contacto y concentración, consulte la lista de desinfectantes que facilita la Verbund für Angewandte Hygiene e.V. (– Asociación para la higiene aplicada) y la Deutsche Vereinigung zur Bekämpfung der Viruskrankheiten e.V. (– asociación alemana para el control de las enfermedades víricas).

- ▶ Limpiar a mano.
- ▶ No utilizar productos abrasivos para su limpieza.

Limpieza en un entorno doméstico



¡ IMPORTANTE Riesgo de daños

- ▶ No desmante las abrazaderas para los accesorios.

1. Quite los accesorios instalados.
2. Saque los reposapiés de las guías.
3. Quite la placa de asiento y la funda del respaldo.
4. Quite las piezas laterales, consulte la Sección 4 „Montaje e instalación“.
5. Vuelva a colocar inmediatamente los clips en el chasis del asiento para que no se pierdan.
6. Lave las piezas individuales con un paño o cepillo, y con productos de limpieza o desinfección disponibles comercialmente.
7. Enjuague las piezas con agua templada.
8. Seque las piezas con un paño.
9. Vuelva a montar el producto, consulte la Sección 4 „Montaje e instalación“.

Limpieza en un entorno hospitalario



PRECAUCIÓN Riesgo de quemaduras

Deje que el producto se enfríe tras sacarlo del autoclave.

- Además del procedimiento de limpieza descrito anteriormente, limpie el producto a intervalos periódicos a 85 °C durante 3 minutos en el autoclave.

Limpieza de la funda del respaldo (opcional)

- Quite la funda del respaldo.
- Lave la funda en lavadora a una temperatura máxima de 60 °C con un detergente suave.



IMPORTANTE Riesgo de daños

- El lavado a temperaturas altas puede provocar encogimiento.
- No seque las fundas en la secadora.

7.3 Cambio de las ruedas



ADVERTENCIA Riesgo de accidente debido a un mal montaje de las ruedas.

Las ruedas deben ser sustituidas por un distribuidor.

8 Después de utilización

8.1 Almacenamiento



IMPORTANTE Riesgo de daños

- Guarde el producto en una zona seca a una temperatura entre 0 °C y 40 °C, con una presión de 860 a 1060 hPa y una humedad del 30 al 75%.
- No guarde el producto cerca de fuentes de calor.
- Mantenga el producto alejado de la luz solar directa.

8.2 Uso repetido

El producto es adecuado para un uso repetido. El número de veces que se puede volver a utilizar depende de la frecuencia de uso y de la forma de usarlo. Antes de volver a utilizarlo, se ha de realizar una limpieza higiénica del producto y comprobar su seguridad técnica funcional, y restablecerla en caso de que fuera necesario.

8.3 Eliminación

La eliminación y aprovechamiento de aparatos viejos y embalajes debe realizarse de acuerdo con las disposiciones legales vigentes.

Consulte al fabricante para obtener detalles sobre la completa y correcta eliminación.

9 Subsanación de averías

9.1 Identificación y solución de fallos

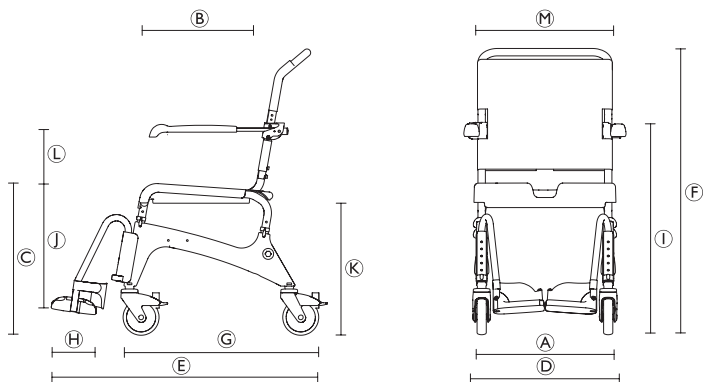


En la tabla siguiente se incluye información sobre funcionamientos incorrectos y sus posibles causas.

Si no puede corregir el mal funcionamiento con las soluciones indicadas, póngase en contacto directamente con su distribuidor.

Fallo	Causa posible	Solución
Resulta difícil ajustar la altura del asiento debido a su rigidez.	Se han acumulado depósitos entre el chasis y la pieza del asiento.	▸ Desmonte el producto en las piezas que se envían originalmente y límpielas bien.
La rueda no gira o lo hace con dificultad.	Hay suciedad acumulada entre la horquilla y la rueda.	▸ Limpie bien las ruedas.
Resulta difícil girar los reposapiés.	Depósitos en las guías.	▸ Quite los reposapiés y límpielos bien.
El freno de estacionamiento de las ruedas autopropulsables (opcional) no se bloquea.	Freno de estacionamiento mal ajustado.	▸ Ajuste el freno de estacionamiento.

10 Datos técnicos



10.1 Dimensiones y peso

D	Anchura total (Ocean)	560 mm
	Anchura total (Ocean XL)	640 mm
	Anchura total con ruedas autopropulsables	675 mm
E	Profundidad	934 mm
	Profundidad con ruedas autopropulsables	1060 mm
G	Profundidad sin reposapiés	700 mm
H	Profundidad de la paleta	155 mm
F	Altura	964 - 1094 mm
I	Altura a los reposabrazos	680 - 850 mm
J	Altura desde los reposapiés hasta el asiento	255 - 495 mm
A	Anchura del asiento	480 mm
B	Profundidad del asiento	450 mm

C	Altura del asiento	477 - 600 mm
	Anchura mínima entre las piezas laterales	aprox. 381 mm
K	Distancia mínima entre el suelo y la abrazadera para la estructura de WC	aprox. 408 mm
	Peso	aprox. 15 kg
	Capacidad de carga (Ocean)	150 kg
	Capacidad de carga (Ocean XL)	180 kg

10.2 Materiales

Chasis	Acero inoxidable, pintura electrostática
Placa de asiento	Polipropileno
Funda del respaldo	Nailon, revestimiento de PVC
Reposapiés	Polipropileno, reforzado con fibra de vidrio
Piezas laterales	Polipropileno, reforzado con fibra de vidrio
Reposabrazos	Polipropileno
Ruedas	Plásticos y acero inoxidable

1	Algemeen	74	7	Onderhoud	83
1.1	Algemene informatie	74	7.1	Onderhoud en inspectie	83
1.2	Symbolen	74	7.2	Reiniging en desinfectie	83
1.3	Garantie	74	7.3	De wielen vervangen	84
1.4	Reglementair gebruik	74	8	Na gebruik	84
1.5	Levensduur	74	8.1	Opslag	84
2	Veiligheid	75	8.2	Hergebruik	84
2.1	Veiligheidsinformatie	75	8.3	Afvoeren	84
3	Beschrijving	75	9	Storingen verhelpen	85
3.1	Componenten	75	9.1	Defecten opsporen en herstellen	85
3.2	Typeplaatje	76	10	Technische gegevens	86
4	Montage en installatie	76	10.1	Afmetingen en gewicht	86
4.1	Veiligheidsinformatie	76	10.2	Materialen	86
4.2	De douche- en toiletrolstoel monteren en demonteren	76			
4.3	De hoepelwielen bevestigen/verwijderen (optioneel)	80			
5	Gebruik	81			
5.1	Veiligheidsinformatie	81			
5.2	De armsteunen draaien	82			
5.3	De voetsteunen draaien	82			
5.4	De hielband verwijderen/bevestigen	82			
5.5	De zittingplaat verwijderen/bevestigen	82			
6	Transport	83			
6.1	Veiligheidsinformatie	83			

I Algemeen

I.1 Algemene informatie

Deze gebruiksaanwijzing bevat informatie en opmerkingen over het juiste en veilige gebruik van de douche- en toiletrolstoel.

Lees deze gebruiksaanwijzing zorgvuldig voordat u het product in gebruik neemt.

De positieverwijzingen (A, B, C, enz.) in de instructies verwijzen altijd naar de voorafgaande afbeelding.

I.2 Symbolen

Waarschuwingen

In deze gebruiksaanwijzing worden waarschuwingen aangeduid door symbolen. De waarschuwingssymbolen worden vergezeld van een kop die de ernst van het gevaar aangeeft.



WAARSCHUWING

Duidt op een gevaarlijke situatie die kan leiden tot ernstig letsel of overlijden als de situatie niet wordt vermeden.



LET OP

Duidt op een gevaarlijke situatie die kan leiden tot licht of klein letsel als de situatie niet wordt vermeden.



BELANGRIJK

Duidt op een gevaarlijke situatie die kan leiden tot schade aan eigendommen als de situatie niet wordt vermeden.

Tips en aanbevelingen



Nuttige tips, adviezen en informatie voor efficiënt, probleemloos gebruik.

I.3 Garantie

Wij bieden een fabrieksgarantie voor het product in overeenstemming met onze algemene voorwaarden. Garantieclaims kunnen alleen worden ingediend via de betrokken dealer.

Kwaliteit

Voor ons bedrijf is kwaliteit het allerbelangrijkst; alle processen zijn gebaseerd op ISO 9001 en ISO 13485.

Het product voldoet aan de vereisten van DIN EN 12182.

Voor meer informatie kunt u contact opnemen met de juiste INVACARE®-vestiging in uw land (u vindt de contactgegevens op de laatste pagina van deze gebruiksaanwijzing).

I.4 Reglementair gebruik

De douche- en toiletrolstoel is exclusief ontworpen als hulpmiddel voor het douchen of baden, toiletbezoek of het binnenshuis verplaatsen van patiënten. Niet bestemd voor andere doeleinden.



WAARSCHUWING Letselrisico

- Gebruik het product nooit als hulpmiddel om in of uit een badkuip te stappen, als op- of afstapje, als ondersteuning of voor vergelijkbare doeleinden.
- Gebruik het product niet buitenshuis.

Als toiletrolstoel kunt u het product gebruiken boven een standaard-toilet of op zichzelf met de bijbehorende ondersteek (optioneel).

De douche- en toiletrolstoel mag alleen als badstoel in een zwembad worden gebruikt als het zwembad geen zout water bevat en er continu toezicht is.

Bedieningstemperatuur: 10 - 65 °C

I.5 Levensduur

Bij gebruik in overeenstemming met de veiligheidsinstructies, onderhoudstermijnen en voor het beoogde doel, is de verwachte levensduur van dit product vijf jaar. De effectieve levensduur kan variëren afhankelijk van de frequentie en intensiteit van het gebruik.

2 Veiligheid

2.1 Veiligheidsinformatie



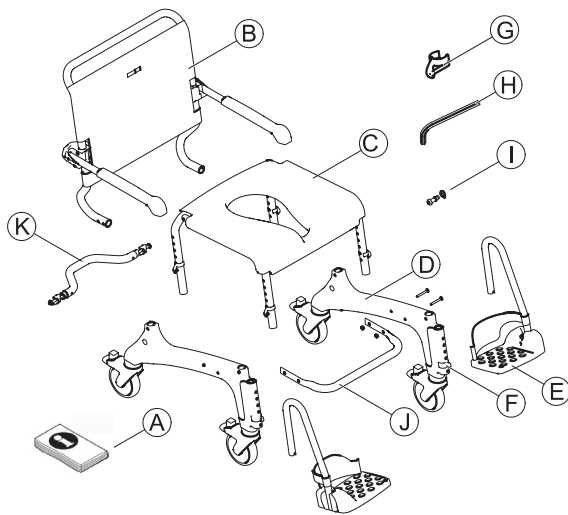
WAARSCHUWING Letselrisico

- ▶ Een defect product niet gebruiken.
- ▶ Neem bij een eventueel defect onmiddellijk contact op met de dealer.
- ▶ Voer geen onbevoegde wijzigingen of aanpassingen aan het product uit.
- ▶ Gebruik uitsluitend accessoires die speciaal bedoeld zijn voor dit product.

3 Beschrijving

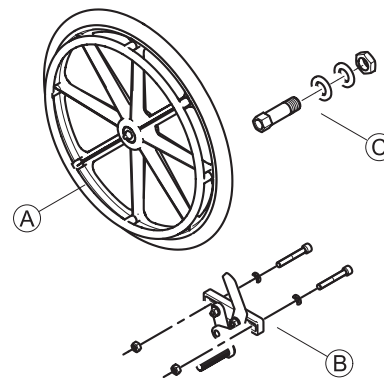
3.1 Componenten

De volgende onderdelen worden bij de AQUATEC® Ocean/ XL geleverd:



Ⓐ	Gebruiksaanwijzing
Ⓑ	Rugleuning met rugbekleding en armsteunen
Ⓒ	Zittingframe met zittingplaat
Ⓓ	Zijkanten met wielen (2 x)
Ⓔ	Voetsteunen met hielband (2 x)
Ⓕ	Klemmen (2 x) voor voetsteun (ingestoken)
Ⓖ	Klemmen (4 x) voor zittingframe
Ⓗ	Inbusleutel AF 4
Ⓘ	Schroeven (4 x) en gebogen sluitringen (4 x)
Ⓙ	Stabilisatiebuis voor het onderstel met schroeven (4 x) en moeren (4 x) - alleen Ocean XL
Ⓚ	Stabilisatiebuis met afstandhouders, schroeven en moeren

De volgende onderdelen worden geleverd bij de hoepelwielen met parkeerrem:

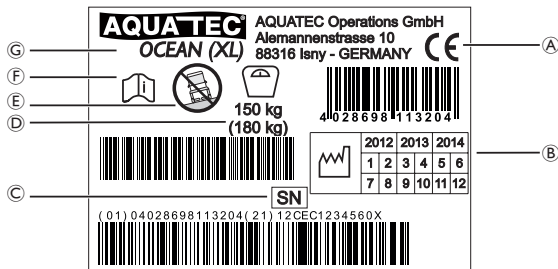


(A)	Hoepelwielen (2 x)
(B)	Parkeerremmen (2 x)
(C)	Naven (2 x)

Houd er rekening mee dat de afmetingen veranderen wanneer de hoepelwielen worden gemonteerd. Meer informatie vindt u in de technische gegevens.

3.2 Typeplaatje

Ook het typeplaatje bevat belangrijke informatie:



(A)	Conformiteitsmarkering
(B)	Productiedatum
(C)	Serienummer product
(D)	Laadvermogen
(E)	Opmerking (alleen gebruiken op vlakke ondergrond)
(F)	Opmerking (bijbehorende documenten raadplegen)
(G)	Productnaam



Het typeplaatje bevindt zich aan de binnenkant van de rechterzijkant.

4 Montage en installatie

4.1 Veiligheidsinformatie



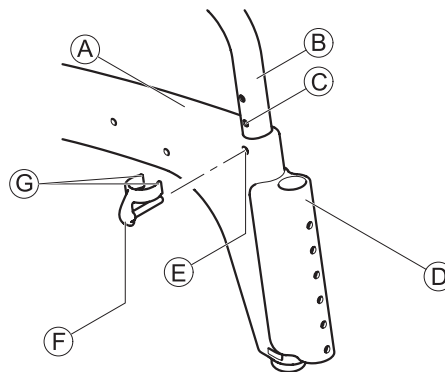
BELANGRIJK

- Controleer de onderdelen op transportschade alvorens ze in gebruik te nemen en neem zo nodig contact op met de dealer.
- Zorg tijdens het monteren dat de onderdelen correct ten opzichte van elkaar zijn geplaatst.

4.2 De douche- en toiletrolstoel monteren en demonteren

In deze paragraaf wordt de montage van de stoel beschreven. Demontage verloopt in omgekeerde volgorde.

De zijkanten monteren



1. Haal de bijgeleverde klemmen (F) uit het zakje.
2. Leg het zittingframe op zijn kant.

! BELANGRIJK

- Druk de zijkant gelijkmatig op het frame zonder draaibewegingen.
- Zet de zijkant aan de voor- en achterkant op dezelfde hoogte vast.

3. Schuif de zijkant (A) met de geleiders voor de voetsteunen (D) naar voren op het zittingframe (B).
4. Breng de gaten voor de klemmen (E) vóór en achter op de zijkant op één lijn met een gat (C) in het zittingframe.
5. Steek de klemmen (F) van buiten af in de zijkant totdat beide uiteinden (C) uit de buis van het zittingframe (B) steken.

! BELANGRIJK

- Zorg dat de linker- en rechterzijkant op dezelfde hoogte zijn ingesteld.

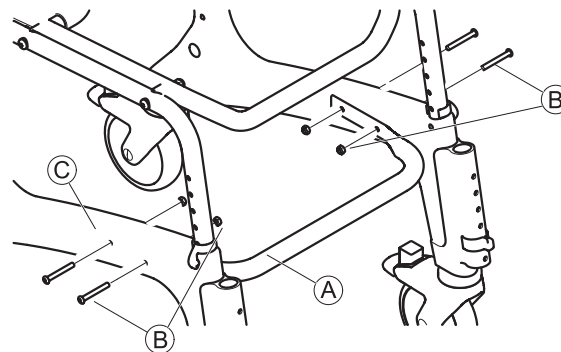
6. Draai het zittingframe en herhaal de procedure met de tweede zijkant.
7. Zet het zittingframe met de gemonteerde zijkanten op zijn wielen.

De zithoogte aanpassen**! BELANGRIJK**

De zithoogte moet worden aangepast aan de gebruiker. Deze is over het algemeen goed afgesteld als de gebruiker in de douche- en toiletrolstoel kan zitten terwijl beide voeten op de vloer rusten.

- Pas de hoogte aan beide zijden aan op hetzelfde niveau.
- Pas de zithoogte niet aan terwijl iemand in de douche- en toiletrolstoel zit.

1. Trek de douche- en toiletrolstoel aan één kant een stukje omhoog aan het zittingframe (B).
2. Verwijder aan deze kant beide klemmen (F).
3. Trek het zittingframe omhoog uit de zijkant (A) of laat het zakken om de zithoogte aan te passen.
4. Plaats beide klemmen weer zorgvuldig terug.
5. Doe hetzelfde aan de andere kant.

De stabilisatiebuis voor het onderstel bevestigen (alleen Ocean XL)

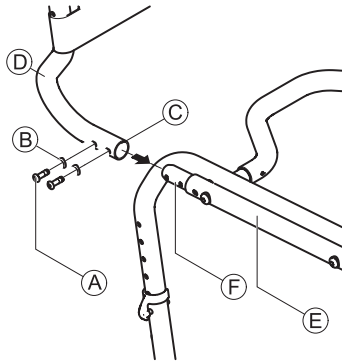
1. Bevestig de stabilisatiebuis voor het onderstel (A) met de bijgeleverde schroeven en moeren (B) tussen de zijkanten (C).

De rugleuning monteren

1. Zet alle vier de wielen vast. Hiervoor drukt u de rode voethendel op de wielen naar beneden.

! BELANGRIJK

- Zorg dat de armsteunen in de uitgeklapte positie naar voren wijzen.



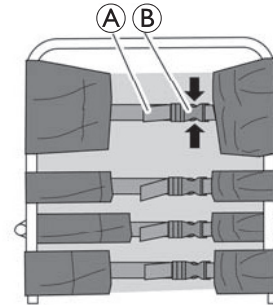
2. Schuif de rugleuning ④ van achter op het zittingframe, ⑤ totdat de buizen ③ niet verder kunnen worden geschoven over de buizen van het zittingframe ⑥.

! BELANGRIJK

- Het ronde deel van de gebogen sluitringen moet tegen de buis van het zittingframe liggen.
 - Draai de schroeven stevig vast met de bijgeleverde inbus-sleutel. Het draaimoment is 5 Nm.
 - Controleer regelmatig of de schroeven stevig vast zitten.
3. Plaats een gebogen sluitring ② op elke schroef ① en zet de rugleuning links en rechts vast met aan elke kant twee schroeven.

De rugbekleding afstellen

De spanning van de rugleuning kan naar wens worden aangepast.



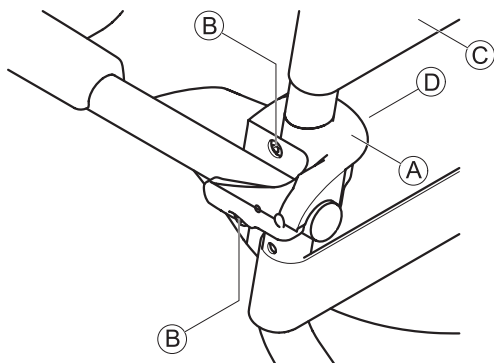
Aanspannen

1. Trek de riemen ① van de rugbekleding strakker.

Losser maken

1. Open de gespen ② door de clip aan de zijkanten in te knijpen (pijlen).
2. Duw de riemen een stukje terug door de gesp.
3. Sluit de riemgespen.
4. Trek de riemen voorzichtig weer aan.

De hoogte van de armsteunen aanpassen



! BELANGRIJK

- Stel de hoogte van de armsteunen af op de gebruiker.
- Pas de hoogte van de armsteunen aan beide zijden gelijk aan.
- Stel de hoogte van de rechter- en linkerarmsteun op exact dezelfde manier af.

1. Open op de rugbekleding de gesp van de riem die aan de binnenkant van het rugleuningframe loopt.
2. Open op de rugbekleding de gesp van de riem © die boven de armsteun loopt.
3. Steek deze riem langs de binnenkant van het rugleuningframe en sluit de gesp weer.



De moeren zijn los in de borgklem gestoken en kunnen eruit vallen.

4. Draai de schroeven ② van de armsteunbeugel ① los met de bijgeleverde inbussleutel.

5. Verwijder de borgklem ③ met de moeren vanuit de binnenkant van het frame van de rugleuning.
6. Verwijder de beugel van de rugleuning ④ met de armsteun en beweeg deze naar boven.



Het kleinere gat wordt gebruikt voor het bevestigen van de borgklem.

7. Steek de schroeven in de armsteunbeugel en geleid ze door de gaten in het frame van de rugleuning.
8. Draai zo nodig de moeren terug op de borgklem.
9. Zet de borgklem zo op het frame van de rugleuning dat de bevestiging van de klem in het kleinere gat steekt.
10. Draai de schroeven in de moeren en draai ze aan.
11. Leg de nog loshangende riem van de rugbekleding langs de buitenkant van het rugleuningframe, sluit alle riemen en trek ze aan.



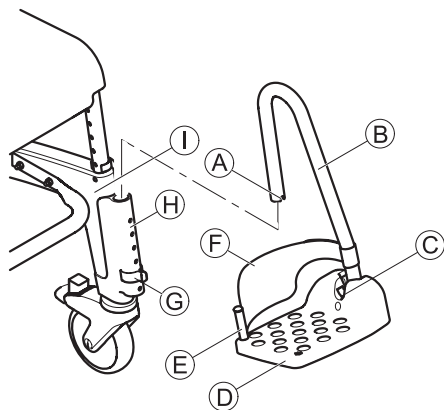
BELANGRIJK

De armsteunen worden op dezelfde manier omlaag gezet.
 ▸ Bij het verlagen van de armsteun, moet de riem die onder de armsteun loopt worden geopend en langs de binnenkant van het rugleuningframe worden geleid.

Voetsteunen monteren

! BELANGRIJK

- De rechtermoetsteun wordt op dezelfde manier gemonteerd als de linker.



1. Druk de voetsteun (B) met de voetplaat (D) in de geleider (H) op de voorkant van het zijstuk (I), tot de groef (A) in de pen van de klem valt (G). De voetsteun kan niet meer opzij worden gedraaid.

De hoogte van de voetsteunen aanpassen

1. Trek de voetsteun (B) een klein stukje omhoog.
2. Trek de klem (G) uit en druk deze terug in de gewenste positie. Trek indien nodig de voetsteun hiervoor iets verder uit.
3. Druk de voetsteun omlaag tot de groef (A) in de pen van de klem valt.
4. Stel de tweede voetsteun op dezelfde wijze in op de gewenste hoogte.

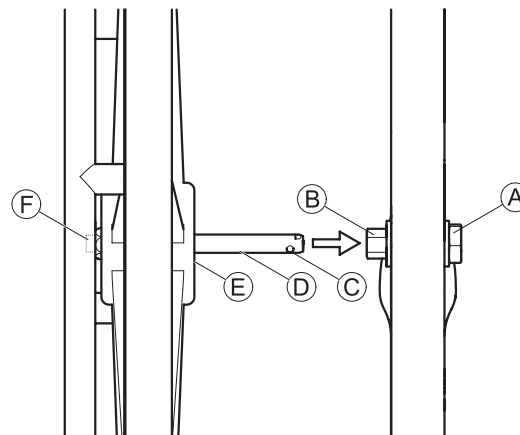
De helling van de voetplaten aanpassen

! BELANGRIJK

- De helling van de voetplaten kan te allen tijde worden aangepast.
- Stel de hoogte van de rechter- en linkervoetsteun op exact dezelfde manier af.

1. Maak de inbuschroef (C) van de voetplaat los met een maat 4 inbusleutel.
2. Draai de voetplaat (D) naar de gewenste positie.
3. Draai de inbuschroef weer vast.

4.3 De hoepelwielen bevestigen/verwijderen (optioneel)



**BELANGRIJK**

- Tijdens het monteren van de hoepelwielen moeten de achterwielen geblokkeerd blijven.
- Het rechterhoepelwiel wordt op dezelfde manier gemonteerd als het linkerhoepelwiel.
- De naven en parkeerremmen voor de hoepelwielen moeten worden gemonteerd door een dealer. De montage wordt beschreven in de montage-instructies „De naven en remmen voor de 24“ Aquatec® Ocean-wielen monteren“.

1. Zet alle vier de wielen in de rijrichting.
2. Vergrendel alle wielen.
3. Druk de as ① op de hoepelwielen naar binnen. (De hoepels wijzen naar buiten.)
4. Houd de knop ② op de buitenkant van de as ingedrukt. Hiermee maakt u de kogelklemmen ③ op het uiteinde van de as los.
5. Til de douche- en toiletrolstoel een stukje op.
6. Steek de as in de naaf ④ en druk het hoepelwiel op de as tot aan de eindaanslag ⑤.
7. Laat de knop los.
8. Druk de kogelklemmen naar buiten, zodat ze achter de zeskantmoeder liggen ⑥.

Verwijder de wielen volgens dezelfde procedure in omgekeerde volgorde.

5 Gebruik**5.1 Veiligheidsinformatie****WAARSCHUWING**

- Draai de parkeerremmen in de parkeerstand.
- De douche- en toiletrolstoel uitsluitend binnenshuis gebruiken op een vlak oppervlak.
- Neem de specificaties op het typeplaatje in acht. De douche- en toiletrolstoel niet zwaarder belasten dan toegestaan.
- Controleer het product voor gebruik altijd visueel op externe schade.
- Een defect product niet gebruiken.

**WAARSCHUWING** Risico op verschuiven en rollen

- Zorg er voor gebruik voor dat de zitting stevig aan het zittingframe is bevestigd.
- Zet alvorens in de rolstoel te gaan zitten of eruit op te staan alle vier de wielen vast met de rode voethendels en in de parkeerstand. Trek de parkeerrem aan wanneer de hoepelwielen zijn gemonteerd (optioneel).

**WAARSCHUWING** Risico op kantelen

- Draai de voetsteunen naar buiten alvorens te gaan zitten of op te staan of klap de voetsteunen naar boven.
- Ga niet op de voetsteunen staan.

**LET OP** Knelgevaar

- Bij gebruik van de hoepelwielen (optioneel), moet u erop letten dat u tijdens het rijden niet uw vingers tussen de spaken of tussen de hoepelwielen en de zitting steekt.

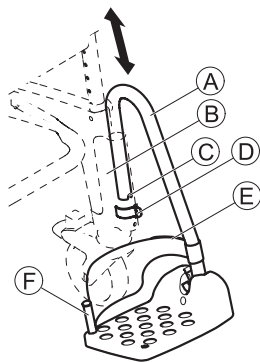
5.2 De armsteunen draaien



LET OP Uw vingers kunnen bekneld raken in het opklapmechanisme

- ▶ Houd bij het op- of neerklappen van de armsteunen niet het scharnier vast.
- ▶ Zorg ervoor dat er geen onderdelen bekneld raken in het mechanisme.
- ▶ Bij het opvouwen niet vastpakken tussen de armsteun en de rugleuning.

5.3 De voetsteunen draaien



Instap-/uitstappositie:

1. Trek de voetsteun **A** in de geleider **B** een klein stukje omhoog tot de groef **C** niet meer over de pen van de klem **D** valt.
2. Draai de voetsteun naar buiten.

Rijpositie:



LET OP Risico op ongelukken door losse voetsteun

- ▶ Zet de voetsteunen vast in de rijpositie.

1. Draai de voetsteun **A** naar binnen.

2. Druk de voetsteun omlaag tot de groef **C** in de pen van de klem **D** valt.

5.4 De hielband verwijderen/bevestigen

1. Open de klittenbandstrook **E** op de hielband.
2. Verwijder de schroef **F** uit de onderkant van de voetplaat.
3. Verwijder de hielband van de buigzame plastic pen.

Bevestig de hielband volgens dezelfde procedure in omgekeerde volgorde.



BELANGRIJK

Zorg er bij het installeren voor dat de klittenbandstrook van de hielband naar achter wijst.

5.5 De zittingplaat verwijderen/bevestigen

Verwijderen:

1. Trek de zittingplaat aan beide kanten naar boven.

Bevestigen:



LET OP Vingers kunnen bekneld raken

- ▶ Steek bij het omlaag drukken van de zittingplaat geen vingers tussen het oppervlak van de zitting en het zittingframe.

1. Plaats de zittingplaat met de uitsparing aan de voorkant op het zittingframe.
2. Druk de zittingplaat zo ver mogelijk naar achter.
3. Druk de zittingplaat met vlakke handen aan de zijkanten omlaag en druk dan aan de voor- en achterkant tot deze vastklikt in het zittingframe.

6 Transport

6.1 Veiligheidsinformatie



Het product kan voor transport worden gedemonteerd in losse onderdelen zoals het werd geleverd (paragraaf 3.1 Onderdelen).

- Demonteer het product, zie paragraaf 4 „Montage en installatie“.

7 Onderhoud

7.1 Onderhoud en inspectie

Het product is onderhoudsvrij als de reinigings- en veiligheidsinformatie in acht wordt genomen.

- Controleer het product regelmatig op schade en om er zeker van te zijn dat het stevig in elkaar zit.
- Neem bij eventuele schade en/of mogelijke reparaties onmiddellijk contact op met de dealer.
- Het product moet telkens wanneer het opnieuw in gebruik genomen wordt of op zijn laatst na 24 maanden worden gecontroleerd door een erkende dealer (raadpleeg de aanbevelingen van de fabrikant voor revalidatieproducten van de Nederlandse branchevereniging Firevaned).

7.2 Reiniging en desinfectie

Het product kan worden schoongemaakt en gedesinfecteerd met behulp van commercieel verkrijgbare middelen.

! LET OP

In de gevoelige omgeving van de badkamer is hygiëne zeer belangrijk.

- Houd het product te allen tijde schoon en was het regelmatig af.
- Desinfecteer het product door alle algemeen toegankelijke oppervlakken af te nemen met een desinfecteermiddel (indien mogelijk na demontage van het product).

! BELANGRIJK

Alle gebruikte reinigings- en desinfecteringsmiddelen moeten effectief zijn, met elkaar gecombineerd kunnen worden en de te reinigen materialen beschermen. Raadpleeg voor meer informatie over goede hygiëne en desinfectie (in de intramurale gezondheidszorg) de Nederlandse Vereniging van Zeepfabrikanten (NVZ) (www.nvz.nl).

- Handmatig reinigen.
- Zonder schuurmiddelen reinigen.

Reiniging in thuisituaties

! BELANGRIJK Risico op beschadiging

- De accessoirebeugels niet demonteren.

1. Verwijder alle accessoires die eventueel zijn aangebracht.
2. Trek de voetsteunen uit de geleiders.
3. Verwijder de zittingplaat en de rugbekleding.
4. Verwijder de zijkanten, zie paragraaf 4 „Montage en installatie“.
5. Steek de klemmen direct weer terug in het zittingframe zodat u ze niet kwijtraakt.
6. Maak de afzonderlijke onderdelen schoon met een doek of borstel en in de handel verkrijgbare reinigings- en desinfectiemiddelen.
7. Spoel de onderdelen af met warm water.
8. Droog de onderdelen af met een doek.
9. Zet het product weer in elkaar, zie paragraaf 4 „Montage en installatie“.

Reiniging in een ziekenhuisomgeving



LET OP Gevaar voor verbrandingen

Laat het product na reiniging in de autoclaaf afkoelen.

1. Naast de hierboven beschreven procedure reinigt u het product regelmatig gedurende 3 minuten op 85 °C in de autoclaaf.

De rugbekleding reinigen (optioneel)

1. Verwijder de rugbekleding.
2. Was de bekleding in een wasmachine op max. 60 °C met een mild wasmiddel.



BELANGRIJK Risico op beschadiging

- Door de bekleding op hoge temperaturen te wassen, kan deze krimpen.
- Droog de bekleding niet in de wasdroger.

7.3 De wielen vervangen



WAARSCHUWING Risico op ongelukken door verkeerd gemonteerde wielen.

De wielen moeten worden vervangen door een dealer.

8 Na gebruik

8.1 Opslag



BELANGRIJK Risico op beschadiging

- Sla het product op in een droge omgeving bij een temperatuur tussen de 0 °C en 40 °C, een luchtdruk van 860 - 1060 hPa en een vochtigheidsgraad van 30 - 75%.
- Sla het product niet op in de buurt van warmtebronnen.
- Houd het product uit direct zonlicht.

8.2 Hergebruik

Het product is geschikt voor hergebruik. Het aantal keren dat het product kan worden hergebruikt is afhankelijk van hoe vaak en op welke wijze het product wordt gebruikt. Voordat het product wordt hergebruikt, moet het eerst hygiënisch worden gereinigd. Bovendien moet de technisch functionele veiligheid van het product worden gecontroleerd en indien nodig weer worden hersteld.

8.3 Afvoeren

De afvoer en verwerking van oude toestellen en verpakkingen moet volgens de geldende wettelijke bepalingen gebeuren.

Raadpleeg de fabrikant voor meer informatie over de juiste en volledige afvoer van materiaal.

9 Storingen verhelpen

9.1 Defecten opsporen en herstellen

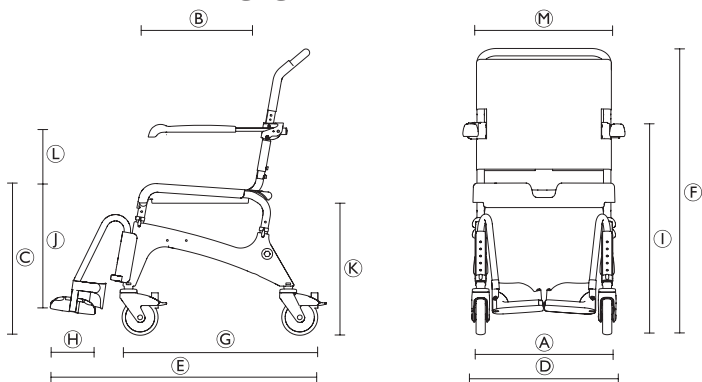


De volgende tabel bevat informatie over defecten en mogelijke oorzaken daarvan.

Neem rechtstreeks contact op met uw dealer als het defect niet kan worden opgelost met de aangereikte handelingen.

Defect	Mogelijke oorzaak	Oplossing
Het aanpassen van de zithoogte gaat heel stroef	Vuil tussen het zittingframe en de zitting	▸ Demonteer het product in de onderdelen zoals het werd geleverd en reinig het grondig.
Wiel draait helemaal niet of met moeite.	Vuil tussen de vork en de wielnaaf	▸ Reinig de wielen grondig.
De voetsteunen kunnen moeilijk worden gedraaid	Vuil in de geleiders	▸ Verwijder de voetsteunen en reinig ze grondig.
Parkeerrem van de hoepelwielen (optioneel) kan niet worden aangetrokken	Parkeerrem verkeerd afgesteld	▸ Stel de parkeerrem af

10 Technische gegevens



10.1 Afmetingen en gewicht

Ⓒ	Totale breedte (Ocean)	560 mm
	Totale breedte (Ocean XL)	640 mm
	Totale breedte met hoepelwielen	675 mm
Ⓔ	Diepte	934 mm
	Diepte met hoepelwielen	1060 mm
Ⓖ	Diepte zonder voetsteunen	700 mm
Ⓗ	Diepte van voetplaat	155 mm
Ⓕ	Hoogte	964 - 1094 mm
Ⓘ	Hoogte tot armsteunen	680 - 850 mm
Ⓙ	Hoogte van voetsteunen tot zitting	255 - 495 mm
Ⓐ	Zitbreedte	480 mm
Ⓑ	Zitdiepte	450 mm

Ⓒ	Zithoogte	477 - 600 mm
	Min. breedte tussen de zijkanten	circa 381 mm
Ⓚ	Min. afstand tussen de vloer en de beugel voor de bijbehorende ondersteek	circa 408 mm
	Gewicht	circa 15 kg
	Laadvermogen (Ocean)	150 kg
	Laadvermogen (Ocean XL)	180 kg

10.2 Materialen

Frame	Roestvrij staal, gepoedercoat
Zittingplaat	Polypropyleen
Rugbekleding	Nylon, met pvc coating
Voetsteunen	Polypropyleen, glasvezelversterkt
Zijkanten	Polypropyleen, glasvezelversterkt
Armsteunen	Polypropyleen
Wielen	Kunststof en roestvrij staal

1	Geral	88	7	Manutenção	97
1.1	Informações gerais	88	7.1	Manutenção e Inspeção	97
1.2	Símbolos	88	7.2	Limpeza e desinfecção	97
1.3	Garantia	88	7.3	Mudar as rodas	98
1.4	Utilização conforme as disposições	88	8	Após a utilização	98
1.5	Tempo de vida estimado	88	8.1	Armazenamento	98
2	Segurança	89	8.2	Reutilização	98
2.1	Informações de segurança	89	8.3	Eliminação	98
3	Descrição	89	9	Solução de problemas	99
3.1	Componentes	89	9.1	Identificar e reparar as avarias	99
3.2	Etiqueta de identificação	90	10	Dados técnicos	100
4	Montagem e instalação	90	10.1	Medidas e peso	100
4.1	Informações de segurança	90	10.2	Materiais	100
4.2	Montagem da cadeira sanitária de chuveiro e sanita	90			
4.3	Instalar/remover as rodas auto-motoras (opcional)	94			
5	Operação	95			
5.1	Informações de segurança	95			
5.2	Articular os apoios de braços	96			
5.3	Articular os apoios de pés	96			
5.4	Remover/instalar a correia de calcanhar	96			
5.5	Remover/instalar a placa de assento	96			
6	Transporte	97			
6.1	Informações de segurança	97			

I Geral

I.1 Informações gerais

Este manual de utilização contém informações e observações sobre a utilização correcta e segura da cadeira sanitária de chuveiro e sanita.

Antes de utilizar o produto, leia cuidadosamente o manual de utilização.

As especificações de posição (A, B, C, etc.) nas instruções de manipulação dizem sempre respeito à figura anterior.

I.2 Símbolos

Advertências

Neste Manual de Utilização as advertências são indicadas por símbolos. Os símbolos de advertência são acompanhados por um cabeçalho que indica a gravidade do perigo.



ADVERTÊNCIA

Indica uma situação perigosa que, se não for evitada, poderá resultar em morte ou em lesões graves.



ATENÇÃO

Indica uma situação perigosa que, se não for evitada, poderá resultar em lesões menores ou ligeiras.



IMPORTANTE

Indica uma situação perigosa que, se não for evitada, poderá resultar em danos à propriedade.

Sugestões e recomendações



Fornecer sugestões, recomendações e informações úteis para uma utilização eficiente, sem problemas.

I.3 Garantia

Facultamos uma garantia de fabrico para o produto, em conformidade com os nossos Termos e Condições Gerais de Compra. As reclamações de garantia só podem ser realizadas através do revendedor relevante.

Qualidade

A qualidade tem uma importância capital para a nossa empresa; todos os processos seguem as normas ISO 9001 e ISO 13485.

O produto cumpre os requisitos da norma DIN EN 12182.

Se precisar de mais informações, contacte o representante relevante da INVACARE® no seu país (os endereços de contacto são facultados no verso deste manual de utilização).

I.4 Utilização conforme as disposições

A cadeira sanitária de chuveiro e sanita foi concebida exclusivamente como apoio para o banho de chuveiro ou imersão, para o uso da sanita ou para transferir os pacientes dentro de casa. Não utilize para nenhum outro objectivo.



ADVERTÊNCIA Risco de ferimentos

- Nunca utilize o produto como apoio para entrar e sair de uma banheira, para subir ou descer, nem como suporte para objectivos parecidos.
- Não utilize o produto no exterior.

Como cadeira sanitária, o produto pode ser utilizado sobre uma sanita comum ou independentemente com o painel da cadeira sanitária (opcional).

A cadeira sanitária de chuveiro e sanita só pode ser utilizada como banco de banho numa piscina se a piscina não contiver água salgada e se houver um assistente constantemente presente.

Temperatura de funcionamento: 10 - 65 °C

I.5 Tempo de vida estimado

A vida útil prevista deste produto é de cinco anos, quando o mesmo é utilizado em conformidade com as instruções de segurança, intervalos de manutenção e utilização prevista indicados neste manual. A vida útil efectiva pode variar de acordo com a frequência e intensidade de utilização.

2 Segurança

2.1 Informações de segurança



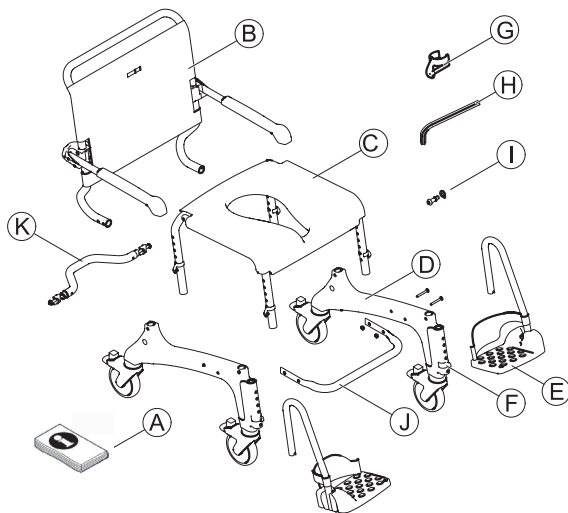
ADVERTÊNCIA Risco de ferimentos

- ▶ Não utilize um produto defeituoso.
- ▶ No caso de avaria, contacte imediatamente um representante.
- ▶ Não faça quaisquer modificações ou alterações não autorizadas ao produto.
- ▶ Utilize apenas acessórios fabricados para este produto.

3 Descrição

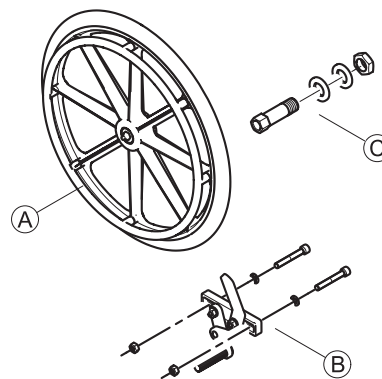
3.1 Componentes

Os seguintes componentes são incluídos na entrega do AQUATEC® Ocean/ XL:



Ⓐ	Manual de utilização
Ⓑ	Encosto com capa de encosto e apoio de braços
Ⓒ	Chassis de assento com placa de assento
Ⓓ	Peças laterais com rodas (2 x)
Ⓔ	Apoios de pés com correia de calcanhar (2 x)
Ⓕ	Grampos (2 x) para o apoio de pés (inserido)
Ⓖ	Grampos (4 x) para o chassis do assento
Ⓗ	Chave Allen AF 4
Ⓘ	Parafusos (4 x) e anilhas curvas (4 x)
Ⓙ	Tubo de estabilização de base com parafusos (4 x) e porcas (4 x) - apenas para o modelo Ocean XL
Ⓚ	Tubo de estabilização com espaçadores, parafusos e porcas

As seguintes peças são incluídas na entrega das rodas auto-motoras com travão de estacionamento:

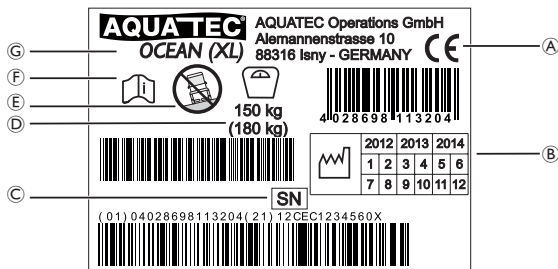


(A)	Rodas auto-motoras (2 x)
(B)	Travões de estacionamento (2 x)
(C)	Fulcros (2 x)

Tenha em atenção a mudança nas dimensões quando se encaixam as rodas auto-motoras. Os detalhes são facultados na secção de dados técnicos.

3.2 Etiqueta de identificação

A etiqueta de identificação também contém informações importantes:



(A)	Marca de conformidade
(B)	Horizonte temporal do produto
(C)	Número de série do dispositivo
(D)	Limite de carga
(E)	Observação (utilizar apenas em superfícies planas)
(F)	Observação (ver os documentos em anexo)
(G)	Designação do dispositivo



A etiqueta de identificação está colocada no interior da secção lateral direita.

4 Montagem e instalação

4.1 Informações de segurança

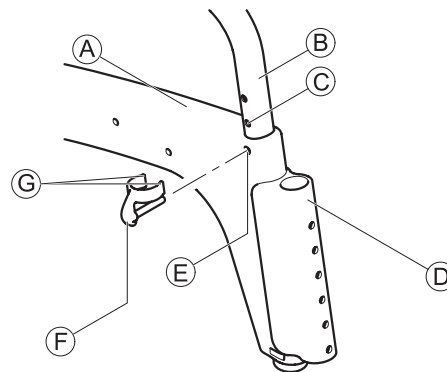
! IMPORTANTE

- Verifique se as peças foram danificadas durante o transporte de utilizar e contacte o fornecedor se necessário.
- Durante a montagem, assegure que as peças estão posicionadas correctamente na relação entre si.

4.2 Montagem da cadeira sanitária de chuveiro e sanita

Esta secção descreve a montagem. A desmontagem funciona da forma inversa.

Encaixar as peças laterais



1. Retire os grampos incluídos do (F) saco.
2. Coloque o chassis do assento de lado.

! IMPORTANTE

- ▶ Empurre a secção lateral de forma equilibrada para o interior do chassis e não a gire.
 - ▶ Fixe a secção lateral à mesma altura, tanto à frente como atrás.
3. Empurre para a frente a peça lateral (A) com as calhas para os encostos dos pés (D) no chassis do assento (B).
 4. Alinhe os encaixes dos grampos (E) na parte da frente e de trás da secção lateral com um orifício no chassis do encaixe (C).
 5. Insira os grampos (F) do exterior para a secção lateral até que ambas as extremidades estejam a rodear o (G) tubo do chassis do assento (B).

! IMPORTANTE

- ▶ Assegure que as peças laterais esquerda e direita estão ajustadas à mesma altura.
6. Rode o chassis do assento e repita o procedimento na segunda secção lateral.
 7. Coloque o chassis do assento com as secções laterais encaixadas nas respectivas rodas.

Ajustar a altura do assento

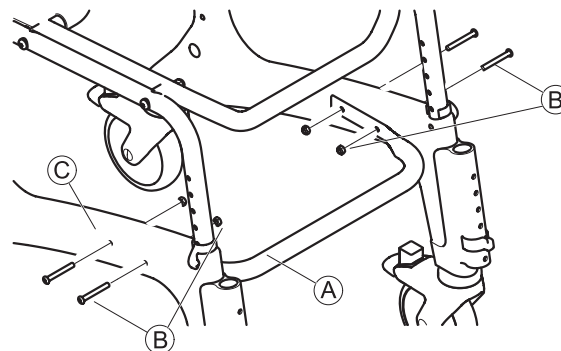
! IMPORTANTE

A altura do assento deve ser adaptada ao utilizador. Geralmente, o ajuste está correcto quando o utilizador se consegue sentar na cadeira sanitária de chuveiro e sanita com ambos os pés sobre o chão.

- ▶ Mude a altura ao mesmo nível nos dois lados.
 - ▶ Não ajuste a altura do assento se alguém estiver sentado na cadeira sanitária de chuveiro e sanita.
1. Levante ligeiramente um dos lados da cadeira sanitária de chuveiro e sanita, segurando na mesma pelo chassis do assento (B).
 2. Retire os dois grampos (F) deste lado.

3. Puxe o chassis do assento, na direcção exterior à secção lateral (A) ou empurre-o para dentro da secção lateral para ajustar a altura do assento.
4. Volte a pressionar completamente os dois grampos.
5. Levante o outro lado e ajuste a altura da forma descrita.

Instalar o tubo de estabilização de base (apenas para o modelo Ocean XL)



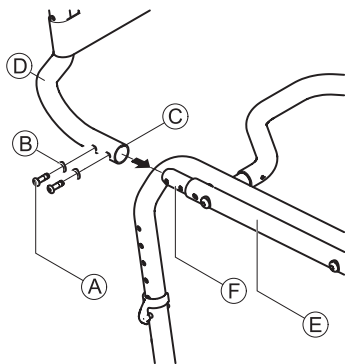
- I. Instale o tubo de estabilização de base (A) utilizando os parafusos e as porcas facultadas (B) no meio das secções laterais (C).

Encaixar o encosto

1. Aperte as quatro rodas. Para tal, pressione a alavanca de pé vermelha nas rodas.

! IMPORTANTE

- ▶ Assegure que os apoios de braços estão orientados para a frente quando a cadeira está desdobrada.



2. Insira o encosto ① no chassi do assento por trás ②, até que a coleira ③ fique encostada ao tubo do chassi do assento ④.

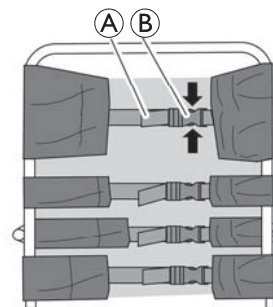
! IMPORTANTE

- ▶ A parte curva das anilhas curvas deve estar encaixada no tubo do chassi do assento.
- ▶ Aperte com firmeza os parafusos, utilizando a chave Allen facultada. O torque é o 5 Nm.
- ▶ Verifique regularmente os parafusos para assegurar que estão encaixados com segurança.

3. Posicione uma anilha curva ⑤ em cada parafuso ⑥ e fixe o encosto, à esquerda e à direita, com dois parafusos de cada lado.

Ajuste da capa do encosto

É possível ajustar a tensão do apoio de costas.



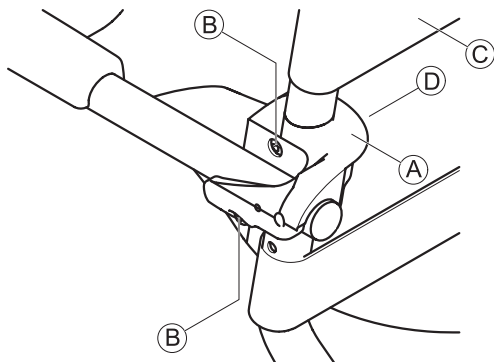
Apertar

1. Puxe as correias ① da capa do encosto até estarem mais apertadas.

Desapertar

1. Abra as fivelas ② apertando as presilhas uma na outra (setas).
2. Empurre as correias ligeiramente através da fivela.
3. Feche as fivelas das correias.
4. Volte a apertar as correias com cuidado.

Ajustar a altura dos apoios de braços



! IMPORTANTE

- ▶ Ajuste a altura dos apoios de braços da forma que melhor se adapta ao utilizador.
- ▶ Mude a altura dos apoios de braços ao mesmo nível nos dois lados.
- ▶ Ajuste a altura dos apoios de braços esquerdo e direito da mesma forma.

1. Na capa do encosto, abra a fivela da correia que atravessa do interior do chassis do assento.
2. Na capa do encosto, abra a fivela da correia © que passa por cima do apoio de braços.
3. Passe esta correia pelo interior do chassis do assento e volte a fechar.



As porcas estão inseridas de forma solta no grampo de fixação, podendo cair.

4. Desaperte os parafusos (B) do suporte do apoio de braços (A) utilizando a chave Allen incluída na embalagem.
5. Retire o grampo de fixação (D) com as porcas do interior do chassis do encosto.
6. Retire o suporte do encosto (A) com o apoio de braços e mova-o para cima.



O orifício mais pequeno serve para prender o grampo de fixação.

7. Insira os parafusos no suporte do apoio de braços e oriente-os pelos orifícios no chassis do encosto.
8. Se necessário, volte a colocar as porcas no grampo de fixação.
9. Coloque o grampo de fixação no chassis do encosto de forma que a peça de fixação deste grampo fique projectada para o interior do orifício mais pequeno.
10. Rode os parafusos nas porcas e aperte-os.
11. Passe a correia da capa do encosto que ainda está aberta pelo exterior do chassis do assento, feche e aperte todas as correias.



! IMPORTANTE

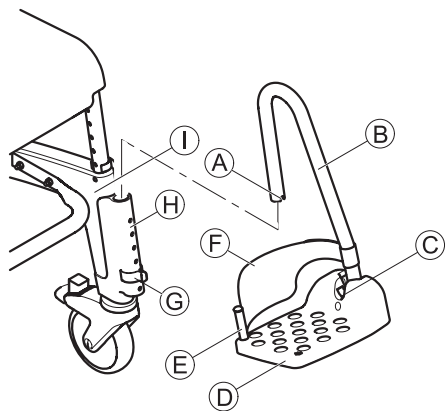
Os apoios de braços são baixados utilizando o mesmo procedimento.

- ▶ Quando converter para a posição mais baixa, a correia que estão debaixo do apoio de braços deve ser aberta e passada pelo interior do chassis do assento.

Instalar os apoios de pés

! IMPORTANTE

- A montagem é a mesma para o apoio de pés esquerdo e direito.



1. Empurre o apoio de pés **B** com a placa para os pés **D** para o interior da calha **H** na parte da frente da secção lateral **I** até que a rosca **A** engate no pino do grampo **G**. O apoio de pés deixa de poder ser virado de lado.

Ajustar a altura dos apoios de pés

1. Puxe os apoios de pés **B** ligeiramente no sentido ascendente.
2. Puxe o grampo **C** e volte a empurrá-lo até ficar na posição desejada. Se necessário, puxe o apoio de pés mais um pouco para concretizar o ajuste de altura.
3. Empurre o apoio de pés no sentido descendente até que a rosca **A** fique engatada no pino do grampo.

4. Ajuste o segundo apoio de pés à altura desejada tal como descrito.

Ajustar a inclinação das placas de pés

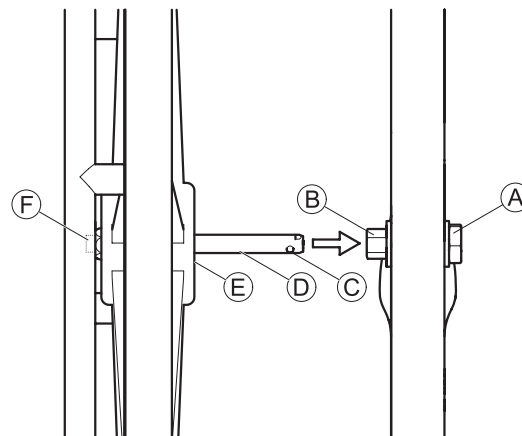
! IMPORTANTE

A inclinação das placas de pés pode ser ajustada continuamente.

- Ajuste o apoio de pés esquerdo e direito da mesma forma.

1. Desaperte o parafuso de cabeça Allen **C** na placa de pés utilizando uma chave Allen de tamanho 4.
2. Rode a placa de pés **D** até ficar na posição desejada.
3. Voltar a apertar o parafuso de cabeça Allen.

4.3 Instalar/remove as rodas auto-motoras (opcional)



**IMPORTANTE**

- ▶ Quando as rodas auto-motoras estiverem encaixadas, as rodas traseiras devem permanecer presas.
- ▶ A montagem é a mesma para a roda auto-motora esquerda e direita.
- ▶ Os fulcros e os travões de estacionamento das rodas auto-motoras devem ser encaixados por um fornecedor. A montagem é descrita nas instruções de montagem „Montar os fulcros e os travões para as rodas de 61 cm do Aquatec® Ocean“.

1. Alinhe as quatro rodas na direcção de condução.
 2. Prenda todas as rodas.
 3. Empurre para dentro o eixo ① das rodas auto-motoras. (O aro de mãos fica orientado para fora.)
 4. Pressione e mantenha fixo o botão ② no exterior do eixo. Isto solta as esferas de fixação ③ na extremidade do eixo.
 5. Elevar ligeiramente a cadeira sanitária de chuveiro e sanita.
 6. Insira o eixo no fulcro ④ e empurre a roda auto-motora para o interior do eixo até ao fim ⑤.
 7. Solte o botão.
 8. Empurre as bolas de fixação para fora de maneira que fiquem atrás da porca hexagonal ⑥.
- Retire as rodas aplicando o mesmo procedimento na ordem inversa.

5 Operação**5.1 Informações de segurança****ADVERTÊNCIA**

- ▶ Feche os travões de estacionamento na posição de estacionamento.
- ▶ Utilize a cadeira sanitária de chuveiro e sanita somente numa superfície plana e no interior.
- ▶ Respeite as especificações da etiqueta de identificação. Não sobrecarregue a cadeira sanitária de chuveiro e sanita.
- ▶ Realize sempre uma inspecção visual do produto, procurando sinais de danos exteriores, antes de cada utilização.
- ▶ Não utilize um produto defeituoso.

**ADVERTÊNCIA** Risco de escorregar

- ▶ Antes da utilização, assegure que a superfície do assento está fixa com segurança ao chassis do assento.
- ▶ Prenda as quatro rodas utilizando as alavancas de pés vermelhas antes de se sentar na cadeira sanitária ou de se levantar da mesma, e também quando na posição de estacionamento. Aplique o travão de estacionamento quando as rodas auto-motoras estiverem encaixadas (opcional).

**ADVERTÊNCIA** Risco de basculação

- ▶ Gire os apoios de pés lateralmente antes de se sentar ou levantar ou dobre as placas de pés para cima.
- ▶ Não se coloque de pé sobre os apoios de pés.

**ATENÇÃO** Risco de entalamento

- ▶ Quando utilizar as rodas auto-motoras (opcional), não insira os dedos entre os espigões, nas todas auto-motoras em movimento nem no chassis do assento durante uma deslocação.

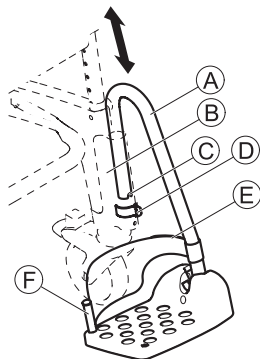
5.2 Articular os apoios de braços



ATENÇÃO Risco de prender os dedos no mecanismo de aba

- ▶ Não agarre na dobradiça quando dobrar os apoios de braços para cima e para baixo.
- ▶ Certifique-se que nenhuma peça fica presa no mecanismo.
- ▶ Não agarre no ponto entre o apoio de braços e o encosto enquanto estiver a dobrar para cima.

5.3 Articular os apoios de pés



Posição de entrada/saída:

1. Puxe ligeiramente para cima os apoios de pés (A) na calha (B) até que a rosca (C) deixe de estar engatada no pino do grampo (D).
2. Articular o apoios de pés lateralmente.

Posição de condução:



ATENÇÃO Risco de acidente devido a um apoio de pés solto

- ▶ Fixe os apoios de pés na posição de condução.

1. Rode o apoio de pés (A) para dentro.

2. Empurre o apoio de pés no sentido descendente, até que a rosca fique engatada (C) no pino do grampo (D).

5.4 Remover/instalar a correia de calcanhar

1. Abra a presilha de Velcro® (E) na correia de calcanhar.
 2. Remova o parafuso (F) da parte inferior da placa de pés.
 3. Retire a correia de calcanhar do pino de plástico flexível.
- Prenda a correia aplicando o mesmo procedimento na ordem inversa.



! IMPORTANTE

Durante a instalação, assegure que a presilha de Velcro® na correia de calcanhar está orientada para trás.

5.5 Remover/instalar a placa de assento

Remoção:

1. Puxe a placa de assento no sentido ascendente nos dois lados.

Encaixe:



ATENÇÃO Risco de prender os dedos

- ▶ Não insira os dedos entre a superfície do assento e o chassis do assento enquanto estiver a pressionar a placa do assento.

1. Coloque a placa de assento no chassis do assento com o corte virado para a frente.
2. Empurre a placa do assento para trás tanto quanto possível.
3. Com a mão numa posição plana, pressione a placa do assento para baixo nos lados e à frente e a trás até que a placa de assento fique presa no chassis do assento.

6 Transporte

6.1 Informações de segurança



As peças do produto podem ser desmontadas para transporte, conforme a amplitude da encomenda (Secção 3.1 Componentes).

- Desmontar o produto; ver a Secção 4 „Montagem e instalação“.

7 Manutenção

7.1 Manutenção e Inspeção

Se as recomendações de limpeza e segurança forem respeitadas, o produto não exige manutenção.

- Verifique o produto regularmente, procurando sinais de danificação e assegurando que está montado de forma segura.
- Se ocorrerem danos e/ou necessidade de reparações, contacte imediatamente o fornecedor.
- O produto deve ser verificado por um representante autorizado antes de cada reutilização ou decorridos 24 meses desde a última utilização (ver a recomendação do Fabricante relativa a restauração de produtos da associação industrial SPECTARIS).

7.2 Limpeza e desinfecção

O produto pode ser limpo e desinfetado utilizando detergentes disponíveis comercialmente.

! IMPORTANTE

Na área sensível da casa de banho, a higiene é particularmente importante.

- Mantenha o produto constantemente limpo e lave-o regularmente.
- Desinfete o produto limpando com desinfetante todas as superfícies de acesso comum (se possível, desmontando primeiro o produto).

! IMPORTANTE

Todos os produtos de limpeza e desinfetantes utilizados devem ser eficazes, compatíveis entre si e passíveis de proteger os materiais aos quais são aplicados para limpeza. Para informações sobre o tempo de contacto e a concentração, consulte a lista de desinfetantes emitida pela Verbund für Angewandte Hygiene e.V. (– Associação para Higiene Aplicada) e pela Deutsche Vereinigung zur Bekämpfung der Viruskrankheiten e.V. (– Associação Alemã para o Combate às Doenças Virais).

- Limpeza à mão.
- Não utilize produtos de limpeza abrasivos.

Limpar num ambiente doméstico

! IMPORTANTE Risco de danificação

- Não desmonte os suportes dos acessórios.

1. Remova todos os acessórios instalados.
2. Retire os apoios de pés das calhas.
3. Remova a placa do assento e a capa do encosto.
4. Remova as seções laterais; veja a Secção 4 „Montagem e instalação“.
5. Volte a inserir os grampos no chassis do assento imediatamente, para impedir que se percam.
6. Lave as peças individuais utilizando um pano ou escova e agentes de limpeza ou desinfetantes disponíveis comercialmente.
7. Enxágue as peças com água quente.
8. Seque as peças com um pano.
9. Volte a montar o produto; veja a Secção 4 „Montagem e instalação“.

Limpar num ambiente hospitalar



ATENÇÃO Risco de queimaduras

Deixe que o produto arrefeça depois de o limpar na auto-clave.

1. Além da limpeza descrita acima, limpe os produto a intervalos regulares à temperatura de 85 °C durante 3 minutos na autoclave.

Limpar a capa do encosto (opcional)

1. Remova da capa do encosto.
2. Lave a capa da máquina de lavar a uma temperatura máxima de 60 °C utilizando um detergente suave.



IMPORTANTE Risco de danificação

- A lavagem a temperaturas elevadas pode causar encolhimento.
- Não seque as capas na secadora.

7.3 Mudar as rodas



ADVERTÊNCIA Risco de acidente devido a um encaixe incorrecto das rodas.

As rodas devem ser substituídas por um fornecedor.

8 Após a utilização

8.1 Armazenamento



IMPORTANTE Risco de danificação

- Guarde o produto num espaço seco a uma temperatura entre 0 °C e 40 °C, com uma pressão atmosférica de 860 - 1060 hPa e humidade de 30 - 75%.
- Não guarde o produto junto a fontes de calor.
- Mantenha o produto longe da luz solar directa.

8.2 Reutilização

O produto é indicado para a reutilização. A quantidade de reutilizações depende da frequência da utilização e do modo de utilização do produto. Antes da reutilização o produto deve ser limpo de modo higiénico, e também se deve verificar a segurança técnica funcional e, caso necessário, repor.

8.3 Eliminação

A eliminação e a reciclagem de aparelhos antigos e embalagens tem de ser realizada de acordo com as determinações legais em vigor.

Consulte o fabricante para obter detalhes sobre a eliminação correcta e completa.

9 Solução de problemas

9.1 Identificar e reparar as avarias

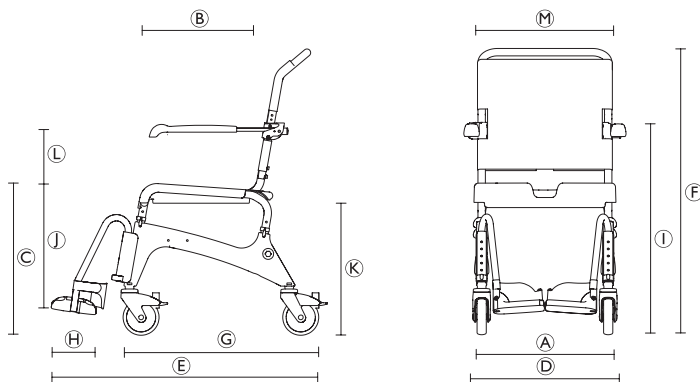


A tabela seguinte faculta informações sobre avarias e as suas causas possíveis.

Se não conseguir corrigir o avaria utilizando as soluções indicadas, contacte directamente o seu fornecedor.

Avaria	Causa possível	Solução
O ajuste da altura do assento é difícil devido a rigidez	Depósitos entre o chassis do assento e a secção do assento	▸ Desmonte o produto em várias peças de acordo com a amplitude da encomenda e limpe-as exaustivamente.
A roda não está a girar ou gira com dificuldade.	Sujidade entre a forqueta e a haste	▸ Limpe as rodas exaustivamente.
É difícil rodar os apoios de pés	Depósitos nas calhas	▸ Retire os apoios de pés e limpe-os exaustivamente.
O travão de estacionamento das rodas automáticas (opcional) não engata	Travão de estacionamento ajustado incorrectamente	▸ Ajuste o travão de estacionamento

10 Dados técnicos



10.1 Medidas e peso

D	Largura total (Ocean)	560 mm
	Largura total (Ocean XL)	640 mm
	Largura total com as rodas auto-motoras	675 mm
E	Profundidade	934 mm
	Profundidade com as rodas auto-motoras	1060 mm
G	Profundidade sem os apoios de pés	700 mm
H	Profundidade da placa de pés	155 mm
F	Altura	964 - 1094 mm
I	Altura até aos apoios de braços	680 - 850 mm
J	Altura dos apoios de pés ao assento	255 - 495 mm
A	Largura do assento	480 mm
B	Profundidade do assento	450 mm

C	Altura do assento	477 - 600 mm
	Largura mín. entre as secções laterais	aprox. 381 mm
K	Distância mín. entre o chão e o suporte da cadeira sanitária	aprox. 408 mm
	Peso	aprox. 15 kg
	Limite de carga (Ocean)	150 kg
	Limite de carga (Ocean XL)	180 kg

10.2 Materiais

Chassis	Aço inoxidável, lacado
Placa do assento	Polipropileno
Capa do encosto	Nylon, revestido com PVC
Apoios para os pés	Polipropileno, reforçado com fibra de vidro
Secções laterais	Polipropileno, reforçado com fibra de vidro
Apoios de braços	Polipropileno
Rodas	Plástico e aço inoxidável

Invacare® Distributors

Belgium & Luxemburg:

Invacare nv, Autobaan 22,
B-8210 Loppem
Tel: (32) (0)50 83 10 10; Fax: (32) (0)50 83 10 11
belgium@invacare.com / www.invacare.be

Deutschland:

Invacare GmbH, Alemannenstrasse 10,
D-88316 Isny
Tel: (49) (0)75 62 7 00 0; Fax: (49) (0)75 62 7 00 66
kontakt@invacare.com / www.invacare.de

Österreich:

Invacare Austria GmbH, Herzog Odilostrasse 101,
A-5310 Mondsee
Tel: (43) 6232 5535 0; Fax: (43) 6232 5535 4
info-austria@invacare.com / www.invacare.at

Schweiz:

Invacare AG, Benkenstrasse 260,
CH-4108 Witterswil
Tel: (41) (0)61 487 70 80; Fax: (41) (0)61 487 70 81
switzerland@invacare.com / www.invacare.ch

Italia:

Invacare Mecc San s.r.l., Via dei Pini 62,
I-36016 Thiene
Tel: (39) 0445 38 00 59; Fax: (39) 0445 38 00 34
italia@invacare.com / www.invacare.it

Nederland:

Invacare BV, Celsiusstraat 46,
NL-6716 BZ Ede
Tel: (31) (0)318 695 757; Fax: (31) (0)318 695 758
nederland@invacare.com / www.invacare.nl

Ireland:

Invacare Ireland Ltd, Unit 5 Seatown Business Campus,
Seatown Road, Swords, County Dublin - Ireland
Tel: (353) 1 810 7084; Fax: (353) 1 810 7085
ireland@invacare.com / www.invacare.ie

United Kingdom:

Invacare Limited, Pencoed Technology Park, Pencoed,
Bridgend CF35 5AQ
Tel: (44) (0)1656 776200; Fax: (44) (0)1656 776201
UK@invacare.com / www.invacare.co.uk

España:

Invacare SA, c/Areny s/n, Poligon Industrial de Celrà,
E-17460 Celrà (Girona)
Tel: (34) (0)972 49 32 00; Fax: (34) (0)972 49 32 20
contactsp@invacare.com / www.invacare.es

France:

Invacare Poirier SAS, Route de St Roch,
F-37230 Fondettes
Tel: (33) (0)2 47 62 64 66; Fax: (33) (0)2 47 42 12 24
contactfr@invacare.com / www.invacare.fr

Portugal:

Invacare Lda, Rua Estrada Velha, 949,
P-4465-784 Leça do Balio
Tel: (351) (0)225 1059 46/47; Fax: (351) (0)225 1057 39
portugal@invacare.com / www.invacare.pt

USA:

Clarke Health Care Products
1003 International Drive, Oakdale, PA 15071-9226
Tel: (724) 695-2122; Fax: (724) 695-2922
info@clarkehealthcare.com / www.clarkehealthcare.com

Canada:

Invacare Canada L.P., 570 Matheson Blvd. East, Unit 8,
CDN Mississauga, On. L4Z 4G4
Tel: 0905 8908300; Fax: 0905 8905244
www.invacare.ca

Australia:

Invacare Australia Pty Limited
1 Lenton Place (PO Box 5002) North Rocks,
NSW 2151, Australia
Tel: 1800 460 460; Fax: (02) 8839 5353
orders@invacare.com.au / www.invacare.com.au

New Zealand:

Invacare New Zealand
PO Box 62124, Sylvia Park, Auckland, New Zealand
Freephone: 0800 468 222 / FreeFax: 0800 807 788
Tel: +64 (9) 917 3939 / Fax: +64 (9) 917 3957
sales@invacare.co.nz / www.invacare.co.nz



AQUATEC Operations GmbH,
Alemannenstraße 10,
D-88316 Isny
Tel: (49) (0)75 62 7 00 0; Fax: (49) (0)75 62 7 00 66
kontakt@invacare.com / www.invacare.de