

showerbuddy™

Dignity | Ease | Comfort

2016

EDITION 1

“Remodeling a bathroom because of a disability can be a very expensive and disruptive process. It may not even be an option if you are renting. Now there is a solution. Showerbuddy transfer systems fit into most existing showers or bath tubs allowing a disabled person to shower in their own bathroom again with dignity, ease and comfort. With a fraction of the cost of a remodel you can enjoy a shower the same day. Depending on the disability and the configuration of your bathroom, we can customize a unit to fit your needs.”

Manual Handling

Transferring people may involve a number of manual handling tasks. Showerbuddy has undertaken numerous trials and design revisions to provide a better ergonomic design and a safer solution for caregivers while also reducing the number of transfers required for the user. Care should be taken when transferring. Undertaking a transfer produces particular difficulties such as how to grip the person and the need to counter unpredictable movements. The degree of assistance a person can provide, their ability to comply with the handling, the degree of pain experienced, or the presence of particular health conditions can also affect the way the transfer must be done. This handling will usually require a more detailed assessment. Professional advice, practices and guidelines should be sought prior to attempting a transfer.

Also refer to the Owners Manual / Safety Instructions.

Infection Control

Showerbuddy chairs and transfer systems have been designed for efficient infection control by avoiding any build up of body fluids or wastewater by incorporating drainage pathways within the chair frame and parts.

All models are finished in a hard, smooth powder coat finish for an easy clean surface and use sealed foam cushions, neck rest parts and arm rests for easy wipe cleaning and no porosity. Seat cushions and other foam and plastic parts are easily replaced if required during refurbishment prior to reissue to a new client.

Showerbuddy products have a metal frame made of very high strength Aluminum, grade 6061 T6, which provides a long life, trouble free and non-corrosive solution with no rust or deterioration. All mechanical parts and hardware are grade 304 Stainless Steel.

Plastic parts that facilitate movement during transfer are manufactured from POM non-porous plastic and other parts in PA grade plastic for ease of cleaning the exposed parts.

Contents



SB1

ShowerBuddy
For transfers to standard showers

3 - 4



SB2

TubBuddy
For transfers over bathtubs

5 - 6



SB2T

TubBuddy - Tilt
For transfers over bathtubs

7 - 8



SB3T

Roll-InBuddy - Tilt
For roll-in showers

9 - 10



SB6c

Roll-InBuddy - Lite
For roll-in showers

11 - 12



SB6cc

Roll-InBuddy - Dawn
For roll-in showers **NEW PRODUCT**

13 - 14



SB6c 22

Roll-InBuddy XL
For roll-in showers **NEW PRODUCT**

15 - 16



SB6c 26

Roll-InBuddy XXL
For roll-in showers **NEW PRODUCT**

17 - 18



SB6w

Roll-InBuddy SOLO
For roll-in showers

19 - 20



SB7c 17

Roll-InBuddy ECO
For roll-in showers **NEW PRODUCT**

21 - 22



SB7 17

Shower seat for showers,
bath tubs or commode chair **NEW PRODUCT**

23 - 24

ACCESSORIES

25 - 31

PRODUCT FEATURES

32 - 36

BATHROOM PLANNER

37

SB1 ShowerBuddy

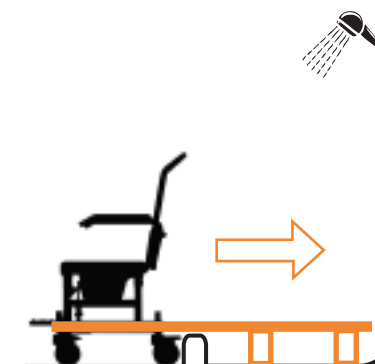
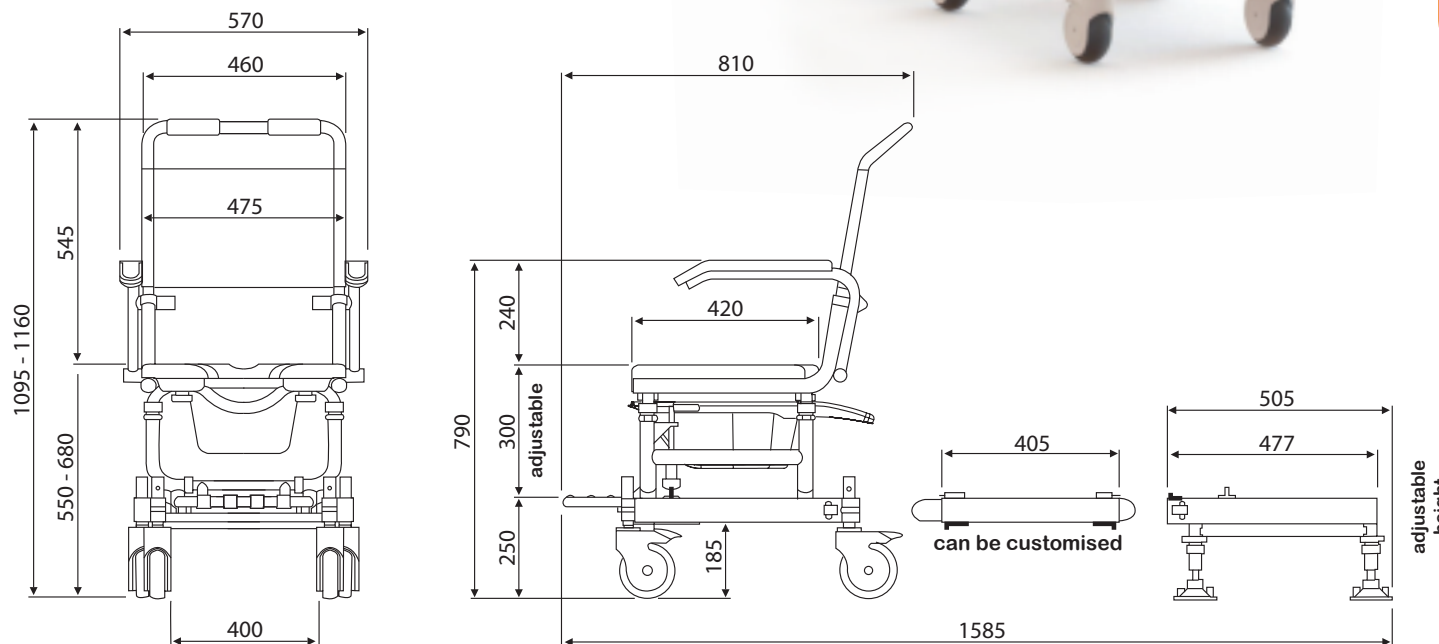
For transfers to standard showers

The ShowerBuddy SB1 shower transfer system will turn your existing bathroom into an accessible bathroom that allows you to enjoy showering again without the excessive cost, delays and stress of a full bathroom remodel. With only one transfer, you can once again enjoy a shower in your own bathroom.

The ShowerBuddy SB1 alleviates heavy lifting for family members and caregivers by eliminating multiple transfers during toileting and showering. This unique internationally patented shower transfer system allows the user to toilet and shower in one easy trip.



SB1 transfers into a standard shower that is not accessible



SB1 ShowerBuddy

For transfers to standard showers



Product features:

- Weight capacity – 160kg (350lb)
- Rolls over most standard toilets
- Low maintenance
- Arms - removable / lockable / flip-back
- Height adjustable
- Safety mechanisms
- Corrosion resistant Aluminum frame (Grade 6061 T6)
- Stainless steel parts and hardware (Grade 304)
- Rotates 360 degrees inside shower (subject to space)
- Footrest - fold-up
- Safety belts - lap & chest belts
- Caster Wheels – 125mm (5”) x 4 locking
- Commode system
- Tool-free assembly
- Full details see page 31-36

Accessory items: Refer to the accessory pages or on our website

Product Dimensions:

- Rolling Base 467mm W x 560mm D (18.4” x 22”)
- Rolling Base including Footrest 467mm W x 675mm D (18.4” x 26.5”)
- Width – over arms 570mm (22.5”)
- Width – Inside Arms 475mm (18.7”) - smaller users see accessory pages
- Width - Inside Main legs 380mm (14.9”)
- Back Width 460mm (18”)
- Back Rest Height from Cushion 440mm (17”)
- Toilet Height Clearance (maximum) 590mm (23.2”)
- Toilet clearance can depend upon the shape of the toilet pan
- Bridge Length (Standard) 405mm (16”) (or Customized)
- Seat Cushion Dimensions 450 W x 420mm D (17.7” x 16.5”)
- Seat Cushion Height from Floor 550mm to 680mm (Adjustable) (21.5” – 26.7” – Adjustable)
- Seat Cushion Opening 175mm W x 335mm L (6.8” x 13”)
- Shower Base (Over Suction Cup Feet) 490mm x 490mm (19.2” x 19.2”)

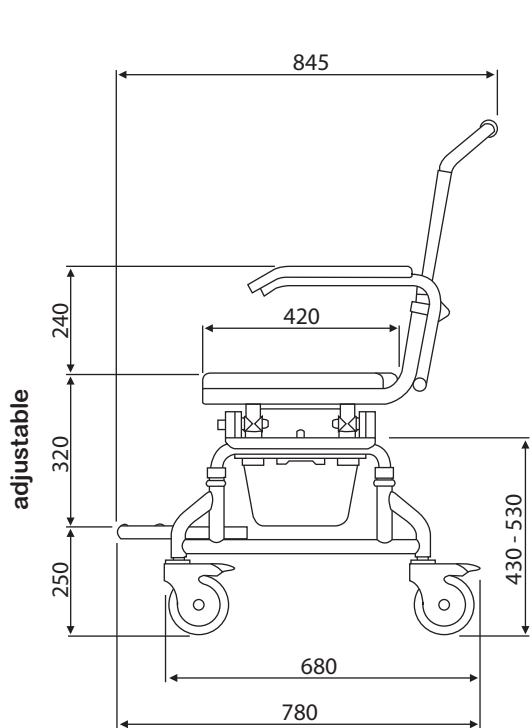
SB2 TubBuddy

For transfers over bathtubs

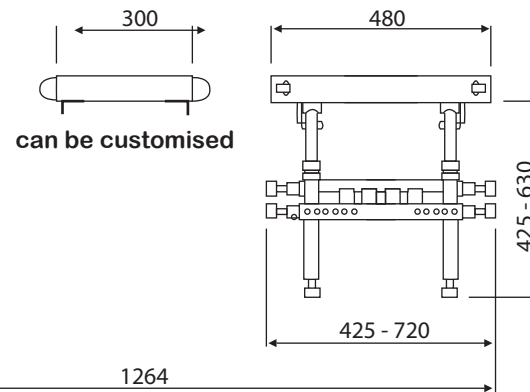
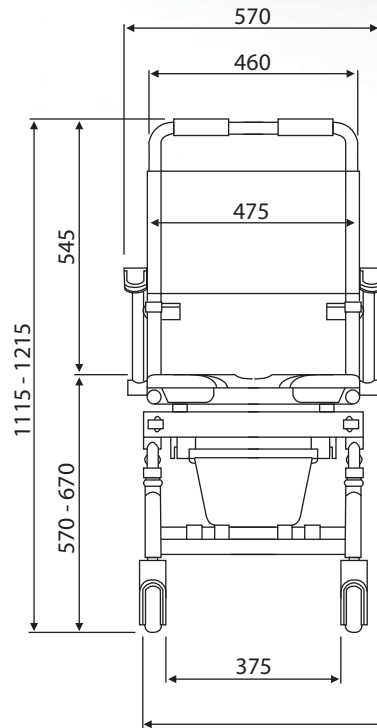
The SB2 bath transfer system from Showerbuddy is designed to allow a user to be safely transferred by a caregiver over a bathtub to shower without costly bathroom remodeling. The SB2 TubBuddy eliminates unnecessary transfers between toileting and bathing making it comfortable for both user and caregiver, while reducing costs and contributing to good user hygiene.



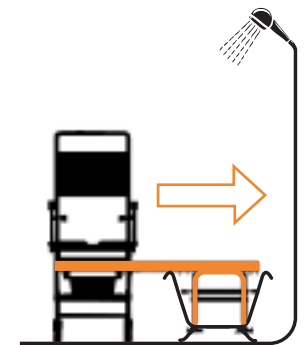
SB2 transfers over a bathtub to shower



adjustable
For non standard height bathtub refer to accessories RBE24 or TBE24



can be customised



SB2 TubBuddy

For transfers over bathtubs



Product features:

- Weight capacity - 160kg (350lb)
- Rolls over most standard toilets
- Low maintenance
- Arms - removable / lockable / flip-back
- Height adjustable
- Safety mechanisms & side stabilizers on bath base
- Corrosion resistant Aluminum frame (Grade 6061 T6)
- Stainless steel parts and hardware (Grade 304)
- Footrest - fold-up foot rest on rolling base and on bath base
- Safety belts - lap & chest belts
- Caster Wheels - 125mm (5") x 4 locking
- Commode system
- Tool-free assembly
- Full details see page 31-36

Product Dimensions:

- Rolling Base 490mm W x 680mm D (19.3" x 26.7")
- Rolling Base including Footrest 490mm W x 780mm D (19.3" x 30.7")
- Width – over arms 570mm (22.5")
- Width – Inside Arms 475mm (18.7") - smaller users see accessory pages
- Width - Inside Main legs 400mm (15.7")
- Back Width 460mm (18")
- Back Rest Height from Cushion 440mm (17")
- Toilet Height Clearance (maximum) 495mm (19.4")
- Toilet clearance can depend upon the shape of the toilet pan
- Bridge Length (Standard) 300mm (11.8") (or Customized)
- Seat Cushion Dimensions 450mm W x 420mm D (17.7" x 16.5")
- Seat Cushion Height from Floor 570mm to 670mm (Adjustable) (22.4" – 26.4" Adjustable)
- Seat Cushion Opening 175mm W x 335mm L (6.8" x 13")
- Tub Base (at top) 330mm L x 480mm W (13" x 19")
- Tub Base (at bottom of legs) 465mm L x 335mm W (18.3" x 13.2")
- Tub Base (side stabilizers) 425mm W – 720mm W (16.7" – 28.3")

Accessory items: Refer to the accessory pages or on our website

SB2T TubBuddy Tilt

For transfers over bathtubs

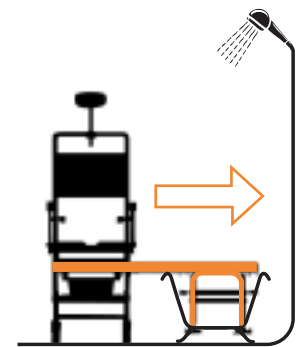
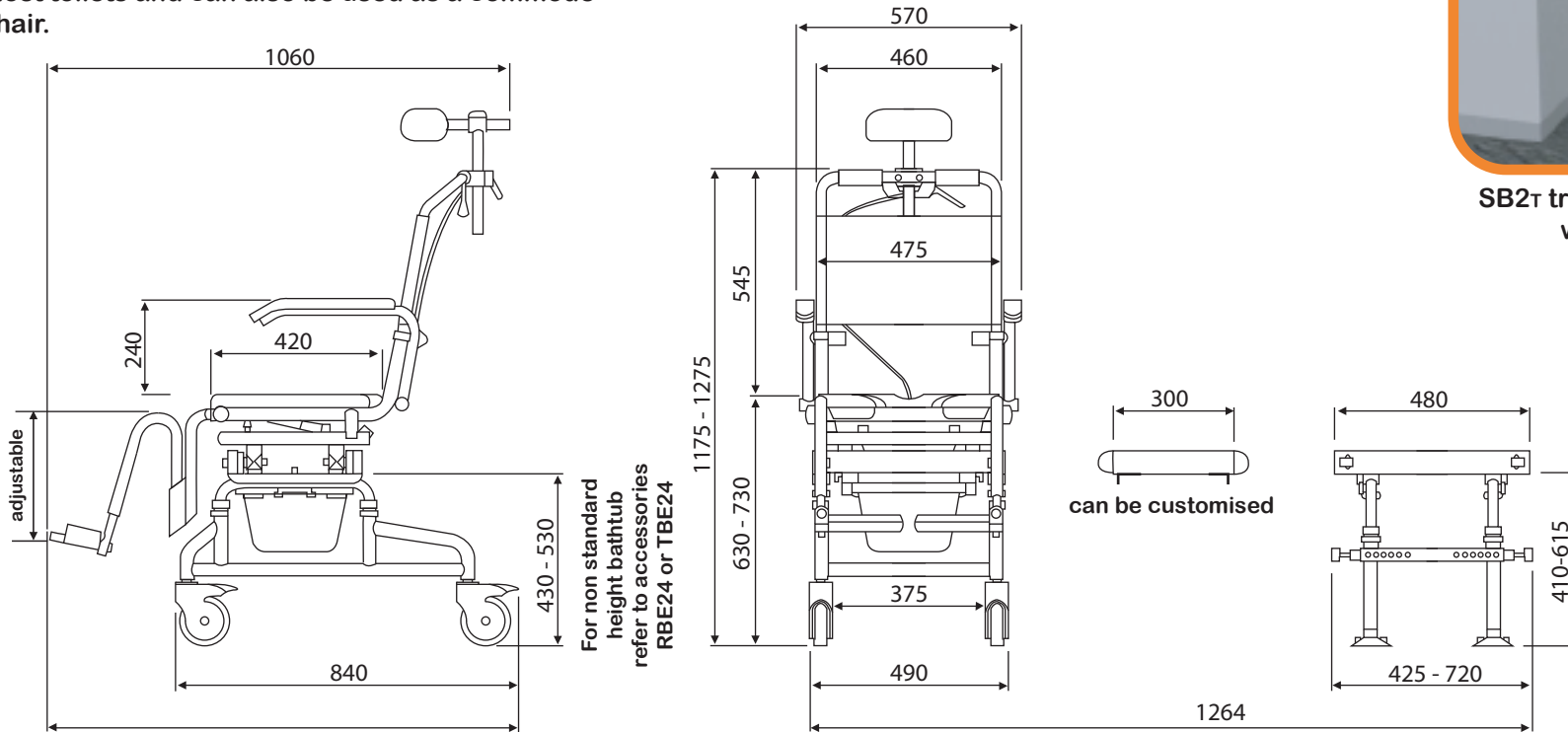
The SB2T bath transfer system from Showerbuddy is also designed to allow a user to be safely transferred by a caregiver over the bathtub, but with the addition of a tilt. The SB2T offers a significant reduction in costs, no need for costly bathroom remodeling.

While eliminating unnecessary transfers, the SB2T with a tilt function allows for pressure relief and alleviates caregiver strain by allowing the user to slide over the bathtub without having to lift their legs.

The SB2T TubBuddy Tilt can roll straight over most toilets and can also be used as a commode chair.



SB2T transfers over a bathtub in tilt mode without lifting the users legs



SB2T TubBuddy Tilt

For transfers over bathtubs



The tilt is 0-30 degrees,
infinite positioning.
Tilt release handle
interchangeable LH or RH



Product features:

- Weight capacity - 160kg (350lb)
- Tilt angle 0 – 30 degrees, infinite positioning
- Rolls over most standard toilets
- Low maintenance
- Arms - removable / lockable / flip-back
- Height adjustable
- Safety mechanisms & side stabilizers on bath base
- Footrests - removable and swing-away
- Corrosion resistant Aluminum frame (Grade 6061 T6)
- Stainless steel parts and hardware (Grade 304)
- Safety belts - lap & chest belts plus calf strap
- Caster Wheels - 125mm (5") x 4 locking
- Commode system
- Neck rest, fully adjustable
- Tool-free assembly
- Full details see page 31-36

Accessory items: Refer to the accessory pages or on our website

Product Dimensions:

- Rolling Base 490mm W x 840mm D (19.3" x 33")
- Rolling Base - including Footrest 490mm W x 1100mm D (19.3" x 43.3")
- Width – over arms 570mm (22.5")
- Width – Inside Arms 475mm (18.7") - smaller users see accessory pages
- Width - Inside Main legs 400mm (15.7")
- Back Width 460mm (18")
- Back Rest Height from Cushion 440mm (17")
- Toilet Height Clearance (maximum) 495mm (19.4")
- Toilet Clearance can depend upon the shape of the toilet pan
- Bridge Length (Standard) 300mm (11.8") (or Customized)
- Seat Cushion Dimensions 450 W x 420mm D (17.7" x 16.5")
- Seat Cushion Height from Floor 630mm to 730mm (Adjustable) (24.8" – 28.8" Adjustable)
- Seat Cushion Opening 175mm W x 335mm D (6.8" x 13")
- Tub Base (at top) 330mm L x 480mm W (13" x 19")
- Tub Base (at bottom of legs) 735mm L x 335mm W (29" x 13.2")
- Tub Base (side stabilizers) 425mm W – 720mm W (16.7" – 28.3")

SB3T Roll-InBuddy Tilt

For roll in showers

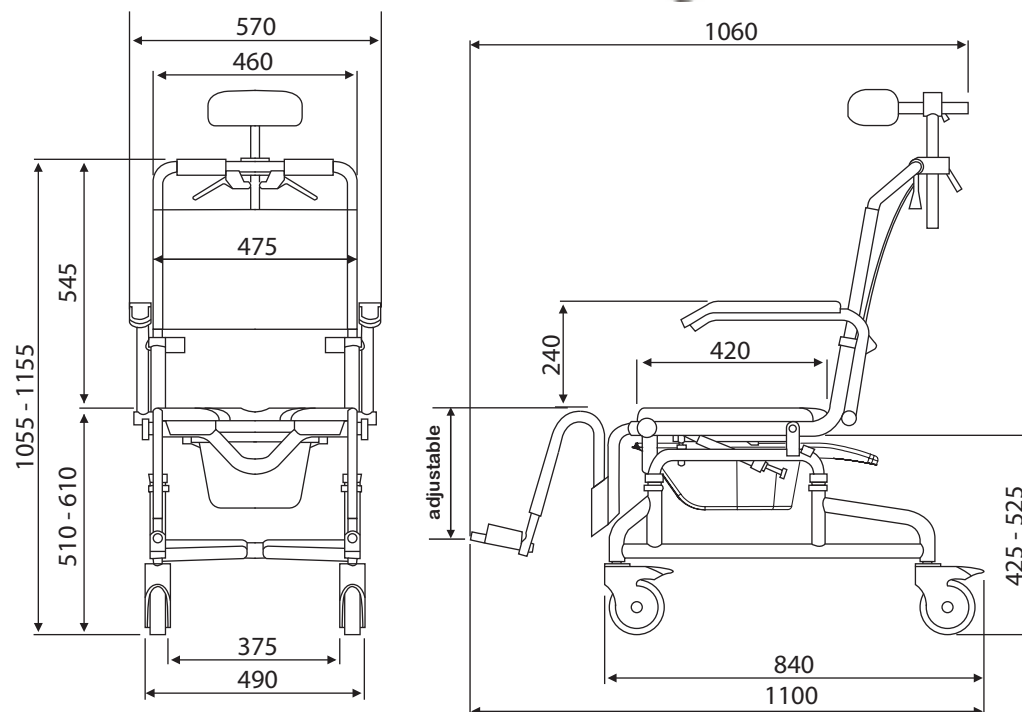
The SB3T mobile shower chair from Showerbuddy is perfect for accessible or roll-in showers. It can roll straight over most toilets and into the shower, reducing manual handling and transfers for caregivers and can also be used as a commode chair.

The tilt function releases pressure for the user and improves comfort and well-being. The SB3T shower chair with tilt incorporates the same safety features and corrosion-resistant materials standard to all Showerbuddy products.

The SB3T Roll-InBuddy Tilt is lightweight, durable and easy to use with a lifetime warranty on the frame.



For accessible showers



SB3T Roll-InBuddy Tilt

For roll in showers



The tilt is 0-30 degrees,
infinite positioning.
Tilt release handle
interchangeable LH or RH



Product features:

- Weight capacity - 160kg (350lb)
- Tilt angle 0 – 30 degrees, infinite positioning
- Rolls over most standard toilets
- Low maintenance
- Arms - removable / lockable / flip-back
- Height adjustable
- Safety mechanisms
- Footrests - removable and swing away, height adjustable
- Corrosion resistant Aluminum frame (Grade 6061 T6)
- Stainless steel parts and hardware (Grade 304)
- Safety belts - lap & chest belts plus calf strap
- Caster Wheels - 125mm (5") x 4 locking
- Commode system
- Neck rest, fully adjustable
- Tool-free assembly
- Full details see page 31-36

Accessory items: Refer to the accessory pages or on our website

Product Dimensions:

- Length including footrests 1100mm (43.3")
- Length without Footrests 840mm (33")
- Width – over arms 570mm (22.5")
- Width – Inside Arms 475mm (18.7") - smaller users see accessory pages
- Width - Inside Main legs 400mm (15.7")
- Back Width 460mm (18")
- Back Rest Height from Cushion 440mm (17")
- Toilet Height Clearance (maximum) 525mm (20.7")
- Toilet clearance can depend upon the shape of the toilet pan
- Seat Cushion Dimensions 450 W x 420mm D (17.7" x 16.5")
- Seat Cushion Height from Floor 510mm to 610mm (Adjustable) (20" – 24" Adjustable)
- Seat Cushion Opening 175mm W x 335mm L (6.8" x 13")

* To clear some toilets, the chair may need to be raised from the lowest setting. The struts, which control the tilting function, may restrict the maximum toilet clearance on some toilet types to 465mm (18.3")

SB6c Roll-InBuddy Lite

For roll in showers

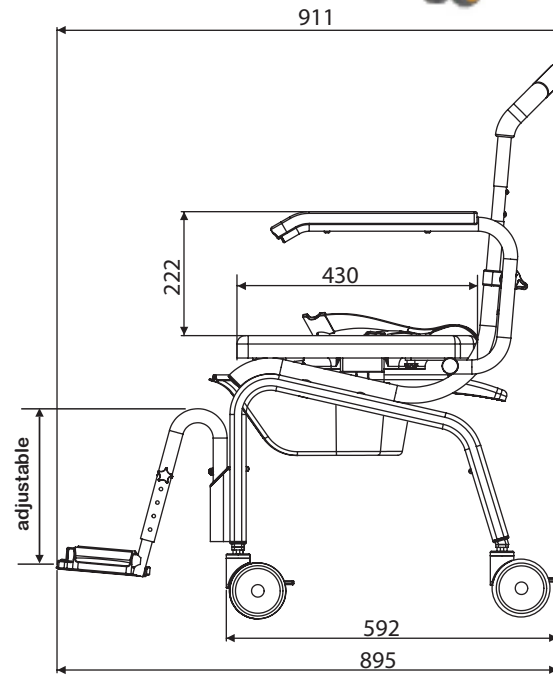
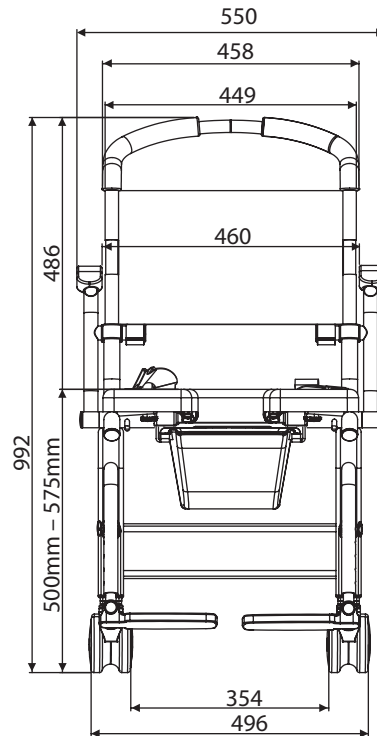
The SB6c mobile shower chair from Shower-buddy is designed for accessible or roll-in showers. It can roll straight over most toilets and into the shower, reducing manual handling and transfers for caregivers. The SB6c has a 450mm (18") wide PU foam seat cushion and can also be used as a commode chair.

The SB6c shower chair comes with 4 locking high quality caster wheels, a commode system and numerous accessories to choose from.

The SB6c Roll-InBuddy Lite is lightweight, durable and has a lifetime warranty on the frame.



For accessible showers



SB6c Roll-InBuddy Lite

For roll in showers



Product features:

- Weight capacity - 136kg (300lb)
- Rolls over most standard toilets
- Low maintenance
- Arms - removable / lockable / flip-back
- Height adjustable
- Footrests - removable and swing-away, height adjustable
- Corrosion resistant Aluminum frame (Grade 6061 T6)
- Stainless steel parts and hardware (Grade 304)
- Safety belts - lap or chest belts plus calf strap
- Caster Wheels - 100mm (4") all locking (Robby brand)
- Commode system with deflector splash guard
- Tool-free assembly
- Full details see page 31-36

Product Dimensions:

- Length including footrests 900mm (35.4")
- Length without Footrests 700mm (27.5")
- Width – over arms 555mm (21.8")
- Width – Inside Arms 460mm (18.1")
- Width - Between Rear legs 406mm (16")
- Back Width 440mm (17.3")
- Backrest Height from Cushion 350mm (13.7")
- Toilet Height Clearance (maximum) 480mm (18.9")
- Toilet clearance can depend upon the shape of the toilet pan
- Seat Cushion Dimensions 457mm W x 429mm D (18" x 16.9")
- Seat Cushion Height from Floor 500mm – 575mm (Adjustable) (19.6" – 22.6" adjustable)
- Seat Cushion Opening 80mm W x 330mm L (7" x 13")
- Seat Cushion to Footrest 410mm – 510mm (adjustable) (16.1" – 20.1" adjustable)

Accessory items: Refer to the accessory pages or on our website

SB6cc Roll-InBuddy Dawn

For roll in showers

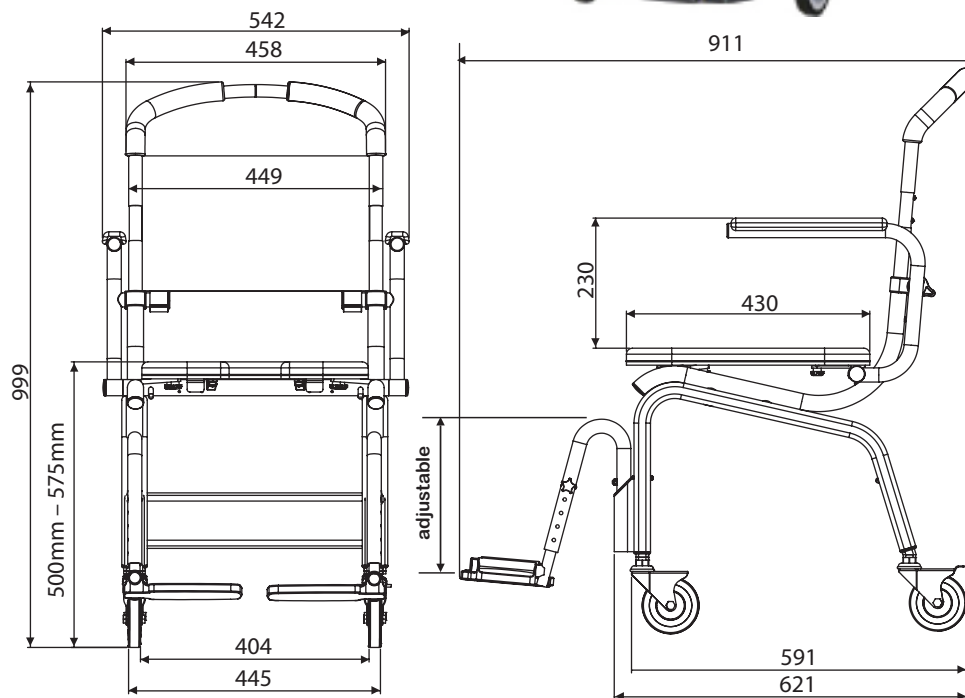
The SB6cc mobile shower chair from Shower-buddy is designed for accessible or roll-in showers. It can roll straight over most toilets and into the shower, reducing manual handling and transfers for caregivers. The SB6cc has a 450mm (18") wide seat cushion and can also be used as a commode chair.

The SB6cc shower chair comes with steel case caster wheels coated with corrosion resistant zinc, a soft blow molded cushion with front opening and adjustable footrests.

The SB6cc Roll-InBuddy Dawn is lightweight and has a 1-year limited warranty.



For accessible showers



SB6cc Roll-InBuddy Dawn

For roll in showers



Product features:

- Weight capacity - 136kg (300lb)
- Rolls over most standard toilets
- Low maintenance
- Arms - removable / lockable / flip-back
- Height adjustable
- Footrests - removable and swing-away, height adjustable
- Corrosion resistant Aluminum frame (Grade 6061 T6)
- Stainless steel parts and hardware (Grade 304)
- Caster Wheels - 100mm (4") rear wheels locking
- Tool-free assembly
- Full details see page 31-36

Product Dimensions:

- Length including footrests 900mm (35.4")
- Length without Footrests 700mm (27.5")
- Width – over arms 555mm (21.8")
- Width – Inside Arms 460mm (18.1")
- Width – Between Rear legs 406mm (16")
- Back Width 440mm (17.3")
- Backrest Height from Cushion 350mm (13.7")
- Toilet Height Clearance (maximum) 480mm (18.9")
- Toilet clearance can depend upon the shape of the toilet pan
- Seat Cushion Dimensions 457mm W x 429mm D (18" x 16.9")
- Seat Cushion Height from Floor 500mm – 575mm (Adjustable) (19.6" – 22.6" adjustable)
- Seat Cushion Opening 180mm W x 330mm L (7" x 13")
- Seat Cushion to Footrest 410mm – 510mm (adjustable) (16.1" – 20.1" adjustable)

Accessory items: Refer to the accessory pages or on our website

SB6c-22 Roll-InBuddy XL

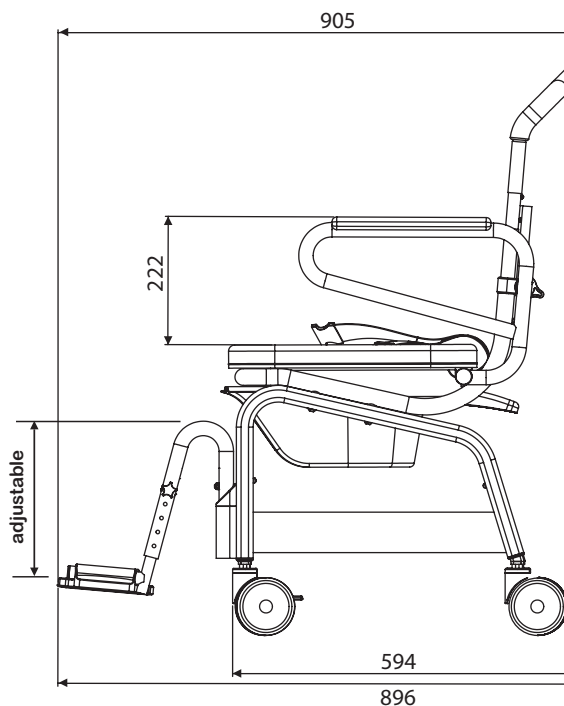
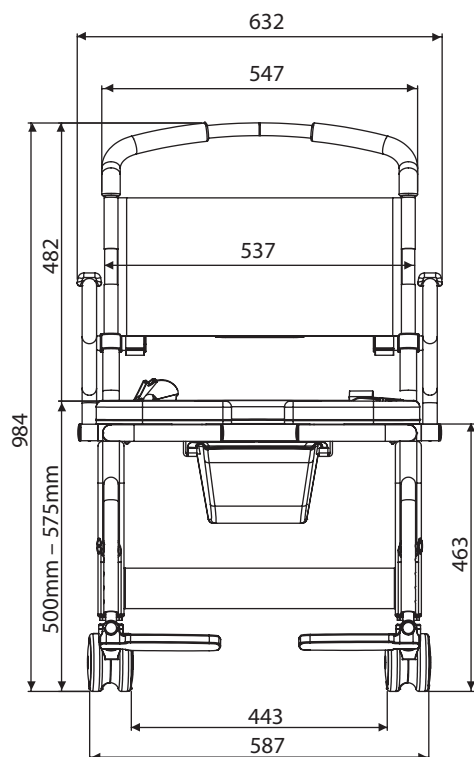
For roll in showers

The SB6c-22 mobile shower chair from Shower-buddy is designed for accessible or roll-in showers for larger users needing attendant care. It can roll straight over the toilet and into the shower, reducing manual handling and transfers for the user and caregivers. The SB6c-22 has a 560mm (22") wide seat cushion and can also be used as a commode chair.

The SB6c-22 Roll-InBuddy XL is lightweight, durable and strong with a lifetime warranty on the frame.



For accessible showers



SB6c-22 Roll-InBuddy XL

For roll in showers



Product features:

- Weight capacity - 170kg (375lb)
- Rolls over toilets
- Low maintenance
- Arms - removable / lockable / flip-back
- Height adjustable
- Footrests - removable and swing-away, height adjustable
- Corrosion resistant Aluminum frame (Grade 6061 T6)
- Stainless steel parts and hardware (Grade 304)
- Safety belts - lap or chest belts
- Caster Wheels - 100mm (4") all locking (Robby Brand)
- Commode system with deflector splash guard
- Tool-free assembly
- Full details see page 31-36

Product Dimensions:

- Length including footrests 900mm (35.4")
- Length without Footrests 700mm (27.5")
- Width – over arms 655mm (25.8")
- Width – Inside Arms 560mm (22")
- Width - Between Rear legs 480mm (18.9")
- Back Width 540mm (21.2")
- Backrest Height from Cushion 350mm (13.7")
- Toilet Height Clearance (maximum) 480mm (18.9")
- Toilet clearance can depend upon the shape of the toilet pan
- Seat Cushion Dimensions 557mm W x 429mm D (21.9" x 16.9")
- Seat Cushion Height from Floor 500mm – 575mm (Adjustable) (19.6" – 22.6" adjustable)
- Seat Cushion to Footrest 410mm – 510mm (adjustable) (16.1" – 20.1" adjustable)

Accessory items: Refer to the accessory pages or on our website

SB6c-26 Roll-InBuddy XXL

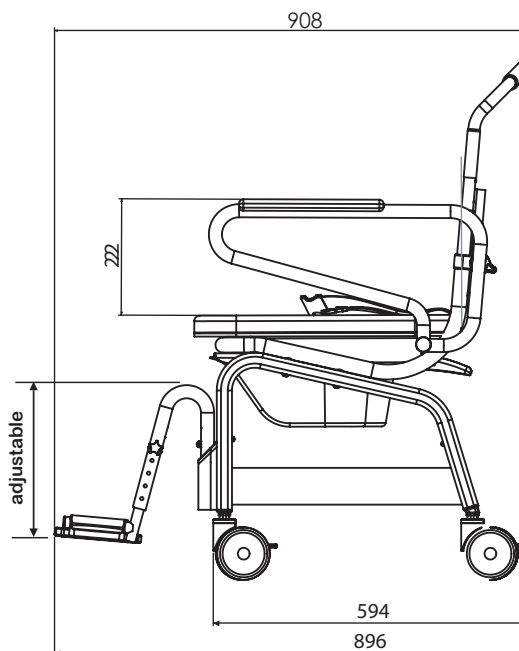
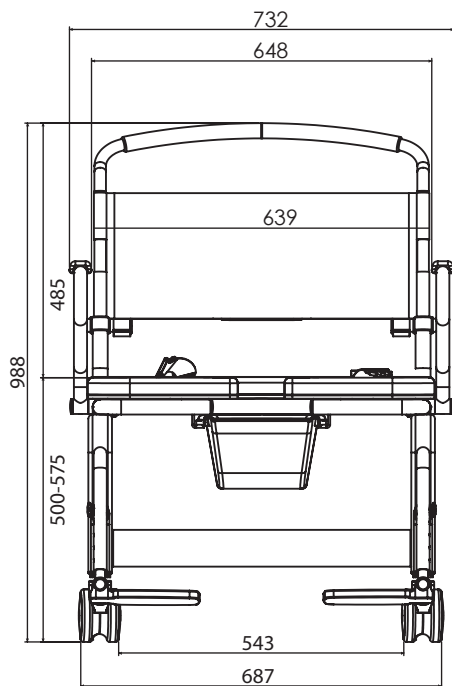
For roll in showers

The SB6c-26 mobile shower chair from Showerbuddy is designed for accessible or roll-in showers for larger users needing a wider seat and attendant care. It can roll straight over the toilet and into the shower, reducing manual handling and transfers for the user and caregivers. The SB6c-26 has a 660mm (26") wide seat cushion and can also be used as a commode chair.

The SB6c-26 Roll-InBuddy XXL is lightweight, durable and strong with a lifetime warranty on the frame.



For accessible showers



SB6c-26 Roll-InBuddy XXL

For roll in showers



Product features:

- Weight capacity - 192kg (425lb)
- Rolls over toilets
- Low maintenance
- Arms - removable / lockable / flip-back
- Height adjustable
- Footrests - removable and swing-away, height adjustable
- Corrosion resistant Aluminum frame (Grade 6061 T6)
- Stainless steel parts and hardware (Grade 304)
- Safety belts - lap or chest belts
- Caster Wheels - 100mm (4") all locking (Robby Brand)
- Commode system with deflector splash guard
- Tool-free assembly
- Full details see page 31-36

Product Dimensions:

- Length including footrests 900mm (35.4")
- Length without Footrests 700mm (27.5")
- Width – over arms 755mm (29.8")
- Width – Inside Arms 660mm (26")
- Width - Between Rear legs 580mm (22.8")
- Back Width 640mm (25.1")
- Backrest Height from Cushion 350mm (13.7")
- Toilet Height Clearance (maximum) 480mm (18.9")
- Toilet clearance can depend upon the shape of the toilet pan
- Seat Cushion Dimensions 657mm W x 429mm D (25.9" x 16.9")
- Seat Cushion Height from Floor 500mm – 575mm (Adjustable) (19.6" – 22.6" adjustable)
- Seat Cushion to Footrest 410mm – 510mm (adjustable) (16.1" – 20.1" adjustable)

Accessory items: Refer to the accessory pages or on our website

SB6w Roll-InBuddy Solo

For roll in showers

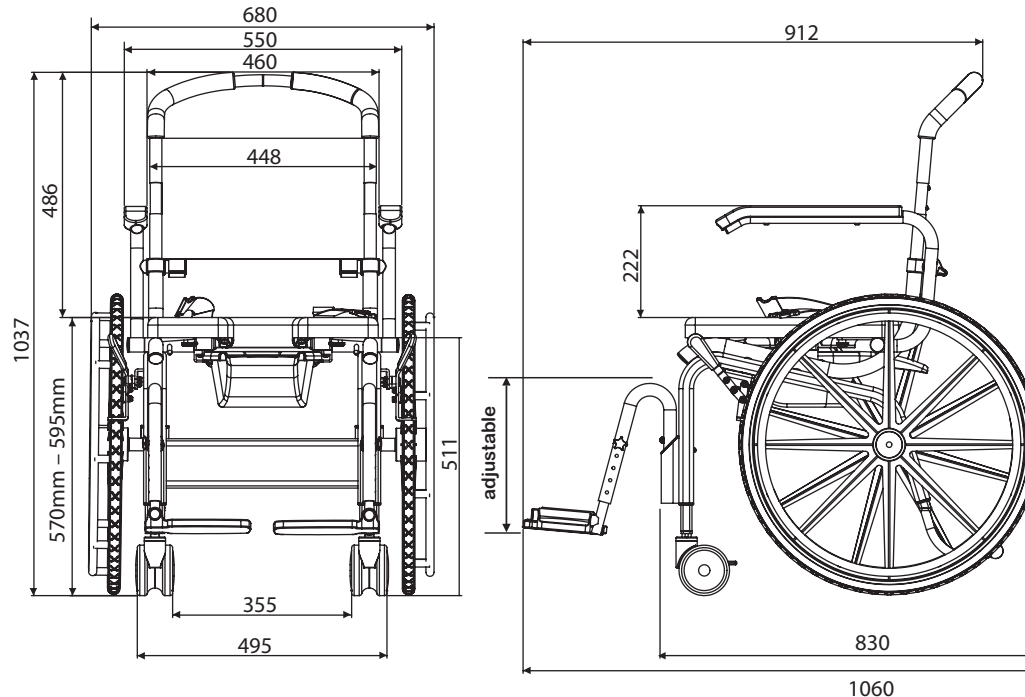
The SB6w mobile shower chair from Showerbuddy is designed for accessible or roll-in showers and for users who can self-propel. It can roll straight over most toilets and into the shower, reducing transfers for the user. The SB6w has a 450mm (18") wide soft foam seat cushion that is height adjustable and can also be used as a commode chair.

The SB6w shower chair comes with 2 x 24" wheels with hand rims and 2 x locking high quality caster wheels, a commode system and numerous accessories to choose from.

The SB6w Roll-InBuddy Solo is lightweight, durable and has a lifetime warranty on the frame.



For accessible showers



SB6w

Roll-InBuddy Solo

For roll in showers



Product features:

- Weight capacity - 136kg (300lb)
- Rolls over most standard toilets
- Low maintenance
- Arms - removable / lockable / flip-back
- Height adjustable
- Footrests - removable and swing-away, height adjustable
- Corrosion resistant Aluminum frame (Grade 6061 T6)
- Stainless steel parts and hardware (Grade 304)
- Safety belts - lap or chest belts plus calf strap
- Caster Wheels - 100mm (4") all locking (Robby brand)
- Commode system with deflector splash guard
- Soft blow-mould cushion
- Tool-free assembly
- Full details see page 31-36

Product Dimensions:

- Length including footrests 1060mm (41.7")
- Length without Footrests 830mm (32.7")
- Width – over the hand rim on wheel 730mm (28.7")
- Width – Inside Arms 460mm (18.1")
- Width - Between Rear legs 380mm (15")
- Back Width 440mm (17.3")
- Backrest Height from Cushion 350mm (13.7")
- Toilet Height Clearance (maximum) 480mm (18.9")
- Toilet clearance can depend upon the shape of the toilet pan
- Seat Cushion Dimensions 457mm W x 429mm D (18" x 16.9")
- Seat Cushion Height from Floor 570mm – 595mm (Adjustable) (22.4" – 23.4" adjustable)
- Seat Cushion Opening 80mm W x 330mm L (7" x 13")
- Seat Cushion to Footrest 410mm – 510mm (adjustable) (16.1" – 20.1" adjustable)

Accessory items: Refer to the accessory pages or on our website

SB7c-17 Roll-InBuddy Eco

For roll in showers

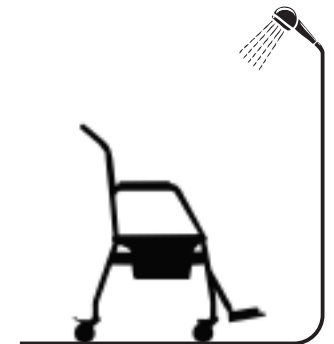
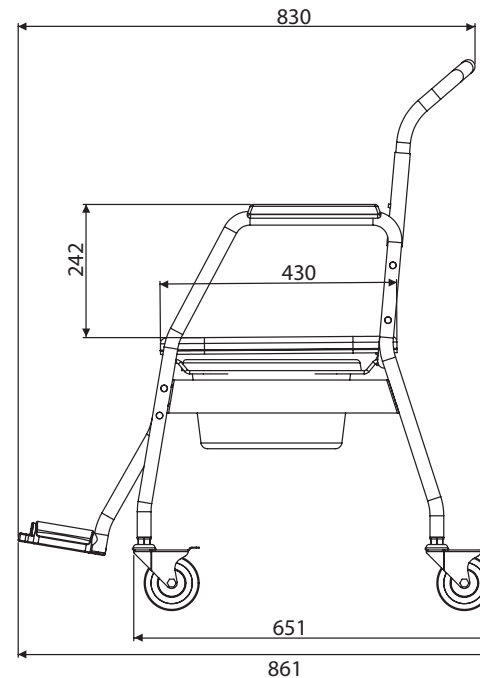
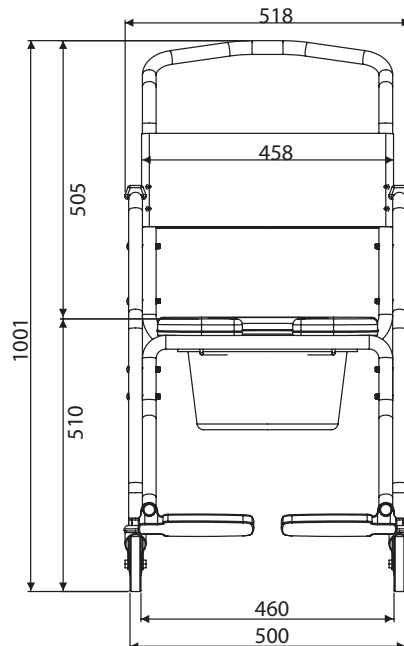
The SB7c-17 mobile shower chair from Showerbuddy is a lightweight economical chair designed for accessible or roll-in showers where space is at a premium. It can roll straight over most toilets and into the shower, reducing manual handling and transfers for caregivers. The SB7c-17 has a 410mm (16") wide seat with a soft foam cushion and can also be used as a commode chair.

The SB7c-17 shower chair comes with steel case, caster wheels coated with corrosion resistant zinc, a soft blow molded cushion with front opening and flip up footrests.

The SB7c-17 Roll-InBuddy Eco has a 1-year limited warranty.



For accessible showers



SB7c-17 Roll-InBuddy Eco

For roll in showers



Product features:

- Weight capacity - 120kg (265lb)
- Rolls over most standard toilets
- Low to medium maintenance
- Arms - fixed arms
- Height – Fixed height
- Footrests – flip up
- Corrosion resistant Aluminum frame (Grade 6061 T6)
- Stainless steel parts and hardware (Grade 304)
- Caster Wheels - 100mm (4”) rear wheels locking
- Commode system
- Tools required for easy assembly
- Full details see page 31-36

Product Dimensions:

- Length including footrests 845mm (33.2”)
- Width – over arms 535mm (21”)
- Width – Inside Arms 425mm (17”)
- Width – Between Frame 455mm (17.9”)
- Back Width 455mm (17.9”)
- Backrest Height from Cushion 390mm (15.3”)
- Toilet Height Clearance (maximum) 405mm (15.9”)
- Toilet clearance can depend upon the shape of the toilet pan
- Seat Cushion Dimensions 410mm W x 429mm D (16” x 16.9”)
- Seat Cushion Height from Floor 510mm (20”)
- Seat Cushion Opening 225mm W x 255mm L (8.9” x 10”)
- Seat Cushion to Footrest 397mm (15.6”)

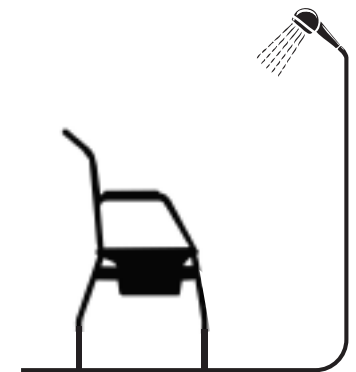
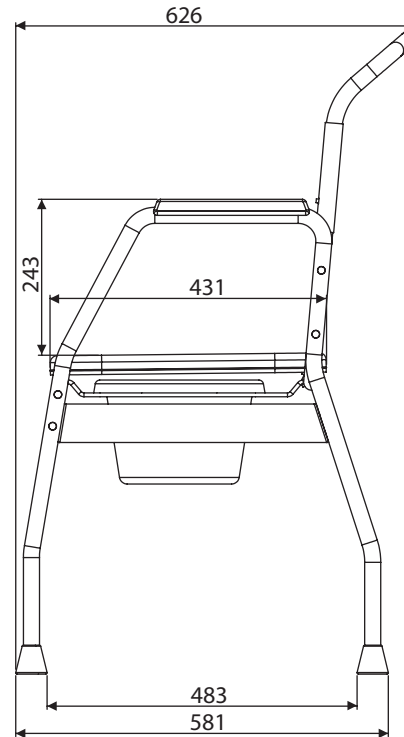
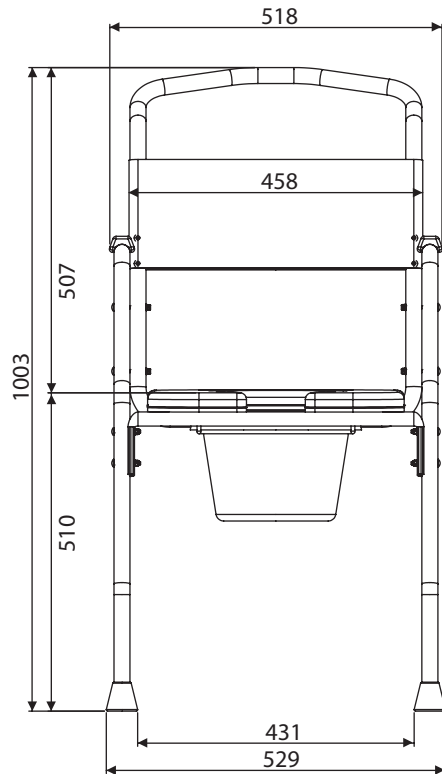
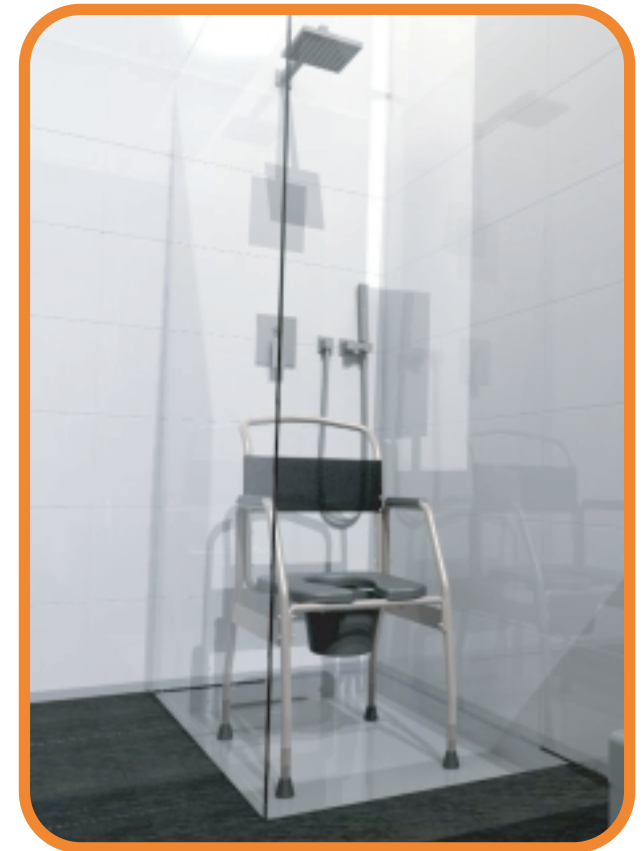
Accessory items: Refer to the accessory pages or on our website

SB7-17 Shower seat

For bath tubs and showers

The SB7-17 shower seat from Showerbuddy is a lightweight economical chair designed for use in the shower or bathtub. The SB7c-17 has a 410mm (16") wide seat with a soft foam cushion and can also be used as a commode chair.

The SB7-17 Shower Seat has a 1-year limited warranty.



SB7-17 Shower seat

For bath tubs and showers



Product features:

- Weight capacity - 120kg (265lb)
- Low maintenance
- Arms - fixed arms
- Height - Fixed height
- Corrosion resistant Aluminum frame (Grade 6061 T6)
- Stainless steel parts and hardware (Grade 304)
- Commode system
- Tools required for easy assembly
- Full details see page 31-36

Product Dimensions:

- Length 555mm (21.8")
- Width - over arms 535mm (21")
- Width - Inside Arms 425mm (17")
- Width - Between Frame 455mm (17.9")
- Back Width 455mm (17.9")
- Backrest Height from Cushion 390mm (15.3")
- Seat Cushion Dimensions 410mm W x 429mm D (16" x 16.9")
- Seat Cushion Height from Floor 510mm (20")
- Seat Cushion Opening 225mm W x 255mm L (8.9" x 10")

Accessory items: Refer to the accessory pages or on our website

Accessories - Pediatric Conversion

P1



Converts Chairs to Pediatric use or for smaller users

P2



LAT-P



Laterals can be used on Pediatric P1 and P2 only

Description

SB1	SB2	SB2T	SB3T
✓	✓	✓	✓
✓	✓	✓	✓
✓	✓	✓	✓

Showerbuddy Pediatric Converters P1 allows the chair to be sized to suit a smaller user yet retain the ability to grow with the user saving on expensive chair upgrade costs over time. With a padded backrest cushion (280mm wide) that adjusts for seat depth (290mm to 405mm wide) and limited recline, reduced width between armrests, (300mm) lower armrests (190mm) smaller commode opening cushion (150mm) and adjustable padded neck pillow, the Pediatric Converter offers a solution for smaller users needing to transfer. NOTE: Users requiring this accessory may also benefit from the Showerbuddy accessory Lat-p Laterals that can be used on Pediatric Converters P1 and P2. Please refer LAT-P accessory.

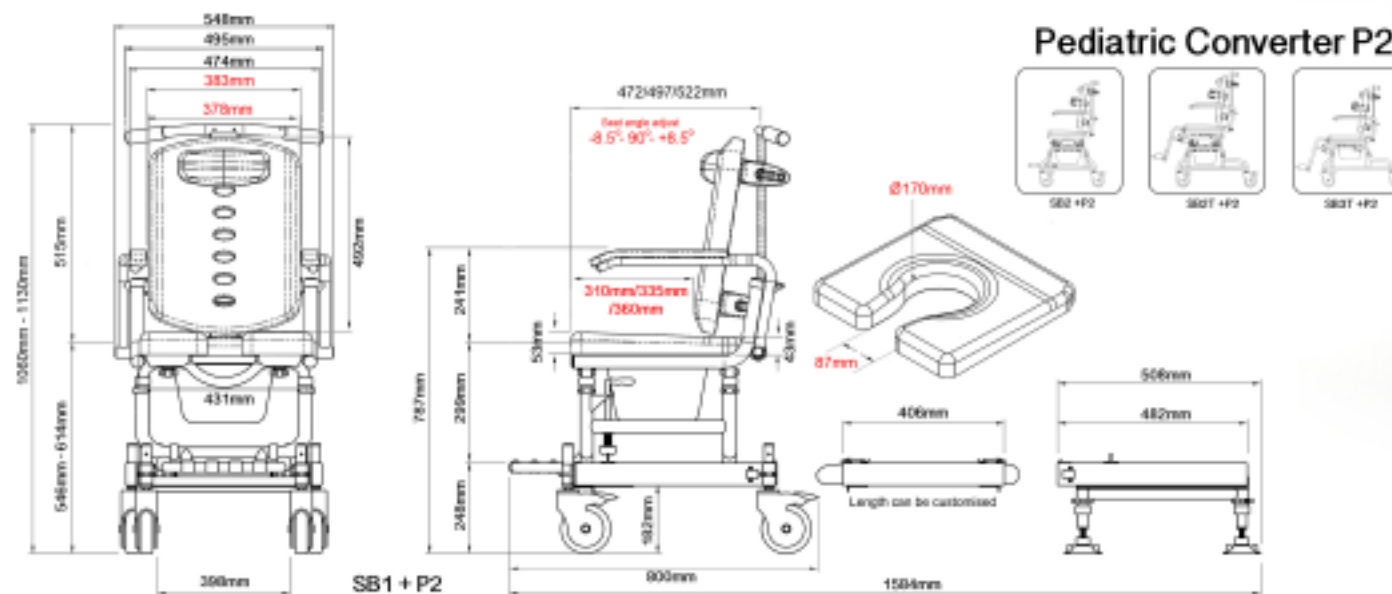
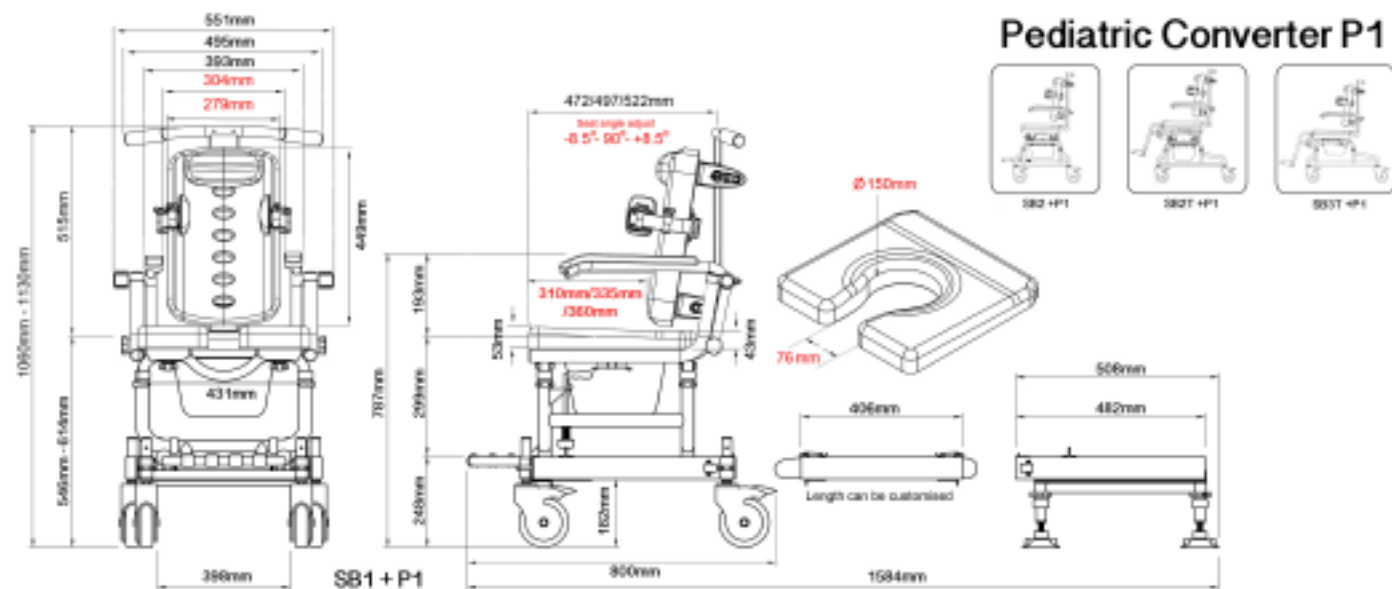
- SB6 chair range pediatric conversion coming soon

Showerbuddy Pediatric Converters P2 allows the chair to be sized to suit a smaller user yet retain the ability to grow with the user, saving on expensive chair upgrade costs over time. With a padded backrest cushion (380mm wide) that adjusts for seat depth (315mm to 420mm) and limited recline, reduced width between armrests, (400mm), lower armrests (210mm), a smaller commode opening cushion (170mm) and adjustable padded neck pillow, the Pediatric Converter offers a solution for smaller users needing to transfer. NOTE: Users requiring this accessory may also benefit from the Showerbuddy accessory Lat-p Laterals that can be used on Pediatric Converters P1 and P2. Please refer to LAT-P accessory.

- SB6 chair range pediatric conversion coming soon

When a pediatric user requires laterals for support it is important that the chair can accommodate these. Showerbuddy Pediatric Converters P1 & P2 not only convert an adult chair into pediatric use but also can accommodate our Lateral accessory Lat-p for Pediatrics. They are easily fitted and provide the adjustable support required for most users.

Accessories - Pediatric Conversion



P1 conversion shown on SB1 with LAT-P fitted


Accessories

Problem	Accessory	Order Code	Image	This accessory fits models marked ✓											Description		
				SB1	SB2	SB2T	SB3T	SB6c	SB6cc	SB6w	SB6c 22	SB6c 26	SB7c 17	SB7 17			
If the connecting bridge was longer or shorter it would better suit my bathroom	Custom size Bridge	CB		✓	✓	✓											With transfer chairs sometimes the length of the bridge, connecting the mobile wheeled base to the bath or shower base unit, needs to be modified to suit the particular bathroom design or available space. Standard bridges can be shortened or lengthened up to 900mm (35.5"). Please contact your local dealer /distributor for more information. Includes: Modifying the length of bridge supplied with the chair by extending or shortening to suit the particular room configuration
My chair does not have a neck rest and I would like to fit one.	Neck Rest Assembly	NRA		✓	✓												Sometimes a user may require a neck rest on a non-tilting transfer chair. Showerbuddy models SB1 and SB2 include provision for this and an accessory neck rest can easily be fitted after purchase. Neck rests are adjustable in height and forward / backward to suit most users.
My shower base is lower than or at the same level as the bathroom floor and I cannot set up my unit correctly.	Shower Base Risers	SBR		✓													When the base, or floor of the shower is sitting lower than or level with the bathroom floor it may not be possible to align the rolling base (chair) with the shower base unit to connect the bridge. In these instances you will need to extend the height of the shower base unit by using the accessory SBR. This accessory is a set of longer tubular leg parts that replace the existing legs located in the Shower Base unit allowing the height adjustment to be increased by 37mm (1.5"). Please consult your dealer / distributor if you have this situation.




Accessories

Problem	Accessory	Order Code	Image	This accessory fits models marked 											Description	
				SB1	SB2	SB2T	SB3T	SB6c	SB6cc	SB6w	SB6c 22	SB6c 26	SB7c 17	SB7 17		
My bath tub is higher than normal and I cannot set up my unit correctly	Rolling Base Chair Extension	RBE24			✓	✓										When a bathtub is sitting higher than the bathroom floor it may not be possible to align the rolling base (chair) with the bathtub base unit to connect the bridge. In these instances you will need to extend the height of the chair by using the accessory RBE24.
My bath tub is lower than normal and I cannot set up my unit correctly	Rolling Base Chair Extension	TBE24			✓	✓										When a bathtub is sitting lower than the bathroom floor it may not be possible to align the rolling base (chair) with the bathtub base unit to connect the bridge. In these instances you will need to extend the height of the bath base unit by using the accessory TBE24
I would like to use my chair for other than a commode	Seat Cushion Overlay	SCO		✓	✓	✓	✓									The SCO overlay is a full sized PU Foam cushion overlay that closes off the commode opening allowing the chair to be used as a transport chair.
I would like to use my SB6 chair for other than a commode	Seat Cushion Overlay for SB6 chair only	SCOC						✓		✓						To close the commode function and use the chair as a transport chair if required. Fits Showerbuddy chair SB6 only.
I would like a smaller commode opening in the cushion	Cushion with 150mm (6") commode opening	SCP1		✓	✓	✓	✓									An open front cushion with a smaller commode opening for smaller users. This cushion is also thicker than standard cushions. Commode opening dimensions: Opening width at front 76mm (3"), centre of opening from front 203mm (8"), commode opening width 150mm (6"). NOTE: Users requiring this cushion accessory may also benefit from the Showerbuddy accessory A-P1 that reduces the dimension between armrests or the P1 Pediatric Converter accessory.







Accessories

Problem	Accessory	Order Code	Image	This accessory fits models marked ✓											Description	
				SB1	SB2	SB2T	SB3T	SB6c	SB6cc	SB6w	SB6c 22	SB6c 26	SB7c 17	SB7 17		
I would like a smaller commode opening in the cushion	Cushion with 170mm (6.7") commode opening	SCP2		✓	✓	✓	✓									An open front cushion with a smaller commode opening for smaller users. This cushion is also thicker than standard cushions. Commode opening dimensions: Opening width at front 89mm (3.5"), centre of opening from front 203mm (8"), commode opening width 170mm (6.7"). NOTE: Users requiring this cushion accessory may also benefit from the Showerbuddy accessory A-P2 that reduces the dimension between armrests or P2 Pediatric Converter accessory
I need a closed front cushion	Seat Cushion Closed Front	SCCF						✓	✓	✓						A closed front commode cushion.
I need a right hand opening cushion	Seat Cushion right hand opening	SCRO						✓	✓	✓						A Right Hand side opening commode cushion.
I need a left hand opening cushion	Seat Cushion left hand opening	SCLO						✓	✓	✓						A Left Hand side opening commode cushion
Can I reduce the dimension between the armrests	Armrests to reduce seat width	A-P1		✓	✓	✓	✓									This accessory changes the dimension between standard armrests from 475mm (18.7") to 295mm (11.6") by removing the standard adult chair armrests and fitting this accessory. NOTE: These A-P1 armrests are removable but CANNOT fold away

Accessories

Problem	Accessory	Order Code	Image	This accessory fits models marked ✓											Description		
				SB1	SB2	SB2T	SB3T	SB6c	SB6cc	SB6w	SB6c 22	SB6c 26	SB7c 17	SB7 17			
Can I reduce the dimension between the armrests	Armrests to reduce seat width	A-P2		✓	✓	✓	✓										This accessory changes the dimension between standard armrests from 475mm (18.7") to 400mm (15.7") by removing the standard adult chair armrests and fitting this accessory. NOTE: These A-P2 armrests are removable but CANNOT fold away.
My chair comes with one set of lap / waist belts and I need another set	Safety Restraints	500-270							✓	✓	✓	✓	✓				(Model SB1, SB2, SB2T and SB3T come complete with chest and lap restraints as standard issue). SB6 series chairs come with one safety restraint. This set comes ex factory fitted as a chest belt but can easily be relocated to a waist setting. An additional set can fitted as an accessory to give both chest and waist for these models.
I would like an adjustable fabric back rest	Tensioned Backrest	TBR		✓	✓	✓	✓										The tensioned backrest has 3 separate adjustment points to suit most users' posture and comfort. The fabric is a fast drying comfortable mesh fabric.
I would like an adjustable fabric back rest	Tensioned Backrest	TB							✓	✓	✓						The tensioned backrest has 3 separate adjustment points to suit most users' posture and comfort. The fabric is a fast drying comfortable mesh fabric.
I need to reduce the seat depth of my chair of my chair	Padded Foam Backrest Cushion	PBC							✓	✓	✓						For users requiring a padded backrest cushion. This cushion is 40mm (1.6") thick and provides comfort as well as reducing the seat depth. Requires screw fixing to pre-drilled fixing locations in the chair push handle uprights, with all parts supplied.

Accessories

Problem	Accessory	Order Code	Image	This accessory fits models marked ✓											Description		
				SB1	SB2	SB2t	SB3T	SB6c	SB6cc	SB6w	SB6c 22	SB6c 26	SB7c 17	SB7 17			
I want a self propelled chair	Wheelchair Wheel Conversion Kit	WW24						✓									This accessory converts the 4 x caster wheel SB6c model into a self propelled wheelchair wheel model (SB6w) and comes complete with 24" wheelchair wheels, anti-tip legs, axle assemblies, dual user operated brakes and tool to assemble.
I need lateral supports for my SB shower chair	Lateral Support	Lat		✓	✓	✓	✓	✓	✓	✓	✓	✓	✓				When a user requires laterals for support it is important that the chair can accommodate these. Showerbuddy models mentioned above can accommodate our lateral accessory. They are easily fitted and provide the adjustable support required for most users.
Do you have other arm rests	Channel Armrest	SB-ACD 100		✓	✓	✓	✓										This accessory is currently only available in USA
Do you have a bigger head rest	Ultra soft, large adjustable shape head rest cushion and tube only, no mounting bracket etc	SB-HL 100-US		✓	✓	✓	✓										This accessory also requires Part # SB-WST-R Headrest Mounting Tube with Attachment Ring and Part # SB-WST-TA Headrest 6" tube adaptor. Please contact us for specifications and details / dimensions. This accessory is only available in USA
I would like a better body positioning belt	Body Point Belt	BPB		✓	✓	✓	✓										A soft padded fabric positioning belt for chest or lap in medium or large size. This accessory is only available in USA.
	New tube part required to fit SB-HL-100-US head rest cushion	SB-WST TA		✓	✓	✓	✓										This accessory is only available in USA.

Product Features

											
Model Name	Showerbuddy	TubBuddy	TubBuddy Tilt	Roll-InBuddy Tilt	Roll-InBuddy Lite	Roll-InBuddy Dawn	Roll-InBuddy XL	Roll_InBuddy XXL	Roll-InBuddy Solo	Roll-InBuddy Eco	Shower Seat
Model Number	SB1	SB2	SB2T	SB3T	SB6C	SB6CC	SB6-22	SB6-26	SB6W	SB7C	SB7-17
Suited to This Bathroom Type	Shower with threshold	Shower over bathtub	Shower over bathtub	Roll In accessible shower	Roll In accessible shower	Roll In accessible shower	Roll In accessible shower	Roll In accessible shower	Roll In accessible shower	Roll In accessible shower	Seat for use in shower or bath
For use with Attendant / Caregiver assistance required	✓	✓	✓	✓	✓	✓	✓	✓		✓	✓
For use by user who has reduced mobility									✓		✓
For transfers to standard showers (with tray or step)	✓										
For transfers over bath tub (to shower)		✓	✓								
For transfers to roll-in accessible showers				✓	✓	✓	✓	✓	✓	✓	
For seating or resting while in shower, not mobile											✓
For seating or resting while showering over bath tub, not mobile											✓
For commode chair use	✓	✓	✓	✓	✓	✓	✓	✓	✓	✓	✓
Roll In chair comes with bath base or shower base unit	✓	✓	✓								
Roll In chair only, no sliding transfer system				✓	✓	✓	✓	✓	✓	✓	

Product Features

											
Model Name	Showerbuddy	TubBuddy	TubBuddy Tilt	Roll-InBuddy Tilt	Roll-InBuddy Lite	Roll-InBuddy Dawn	Roll-InBuddy XL	Roll_InBuddy XXL	Roll-InBuddy Solo	Roll-InBuddy Eco	Shower Seat
Model Number	SB1	SB2	SB2T	SB3T	SB6C	SB6CC	SB6-22	SB6-26	SB6W	SB7C	SB7-17
Suited to This Bathroom Type	Shower with threshold	Shower over bathtub	Shower over bathtub	Roll In accessible shower	Roll In accessible shower	Roll In accessible shower	Roll In accessible shower	Roll In accessible shower	Roll In accessible shower	Roll In accessible shower	Seat for use in shower or bath
Weight Limit 192kg (425lb)								✓			
Weight Limit 170kg (375lb)							✓				
Weight Limit 160kg (350lb)	✓	✓	✓	✓							
Weight Limit 136kg (300 lb)					✓	✓			✓		
Weight Limit 120kg (265lb)										✓	✓
Rolls Over the Toilet	✓	✓	✓	✓	✓	✓	✓	✓	✓	✓	
Frame - Low Maintenance / No Rust	✓	✓	✓	✓	✓	✓	✓	✓	✓	✓	✓
Frame - Aluminium with Stainless Steel Parts	✓	✓	✓	✓	✓	✓	✓	✓	✓	✓	✓
Tilt Function 0 - 30° with Infinite Positioning			✓	✓							
Neck Rest - Fully Adjustable			✓	✓							

Product Features

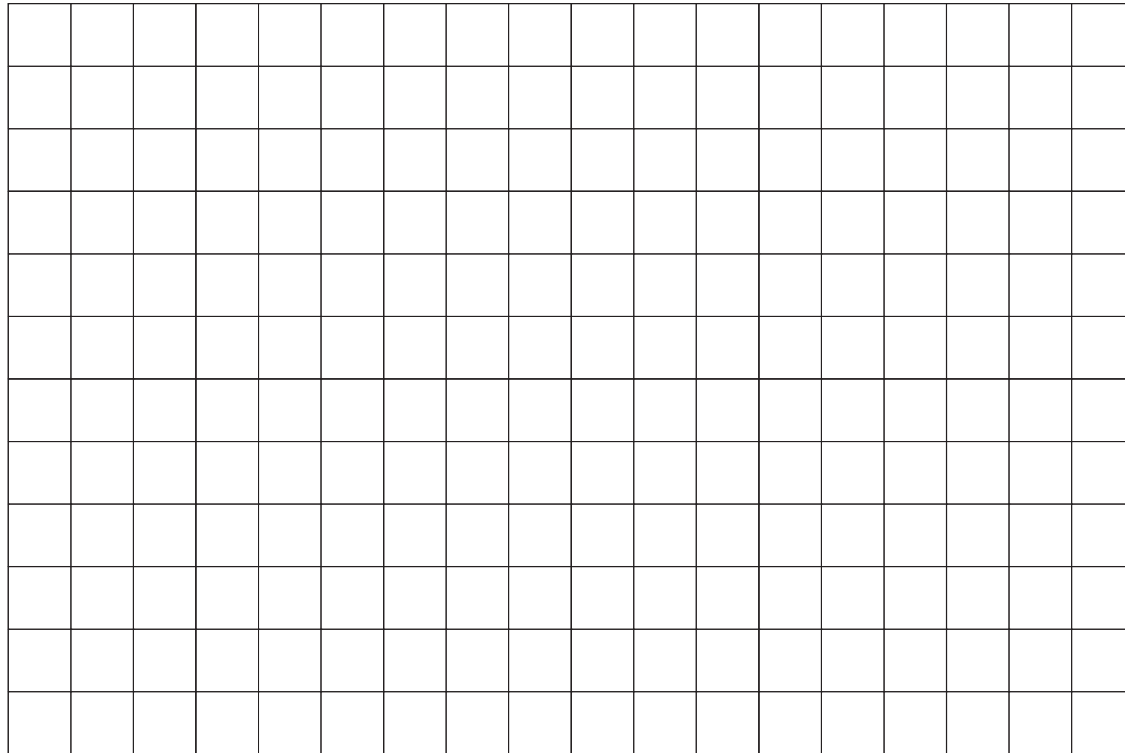
											
Model Name	Showerbuddy	TubBuddy	TubBuddy Tilt	Roll-InBuddy Tilt	Roll-InBuddy Lite	Roll-InBuddy Dawn	Roll-InBuddy XL	Roll_InBuddy XXL	Roll-InBuddy Solo	Roll-InBuddy Eco	Shower Seat
Model Number	SB1	SB2	SB2T	SB3T	SB6C	SB6CC	SB6-22	SB6-26	SB6W	SB7C	SB7-17
Suited to This Bathroom Type	Shower with threshold	Shower over bathtub	Shower over bathtub	Roll In accessible shower	Roll In accessible shower	Roll In accessible shower	Roll In accessible shower	Roll In accessible shower	Roll In accessible shower	Roll In accessible shower	Seat for use in shower or bath
Arms - Removable / Foldaway / Lockable	✓	✓	✓	✓	✓	✓	✓	✓	✓		
Arms - Fixed - Do Not Fold Away										✓	✓
Armrests - 400mm (15.7") Long PU Foam	✓	✓	✓	✓	✓		✓	✓	✓		
Armrests - 230mm (9") Long Plastic						✓				✓	✓
Seat Cushion Height Adjustable	✓	✓	✓	✓	✓	✓	✓	✓	✓		
Seat Cushion Fixed Height										✓	✓
Seat Cushion - PU Foam With Drip Edge Around Opening					✓			✓			
Seat Cushion - PU Foam Without Drip Edge	✓	✓	✓	✓							
Seat Cushion - Soft Blow-moulded Foam, Heat Sealed Joints						✓	✓	✓		✓	✓
Footrests - Height Adjustable	✓	✓	✓	✓	✓	✓	✓	✓	✓		

Product Features

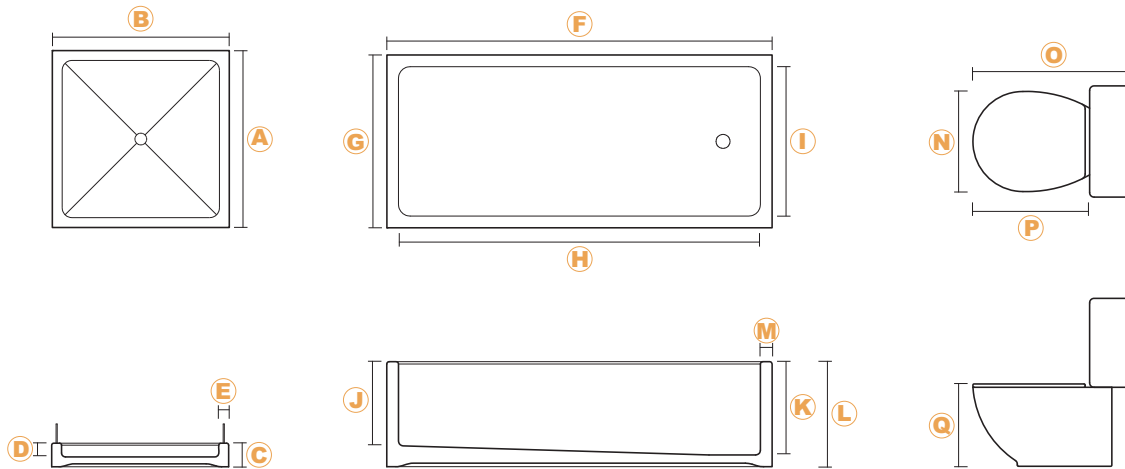
											
Model Name	Showerbuddy	TubBuddy	TubBuddy Tilt	Roll-InBuddy Tilt	Roll-InBuddy Lite	Roll-InBuddy Dawn	Roll-InBuddy XL	Roll_InBuddy XXL	Roll-InBuddy Solo	Roll-InBuddy Eco	Shower Seat
Model Number	SB1	SB2	SB2T	SB3T	SB6C	SB6CC	SB6-22	SB6-26	SB6W	SB7C	SB7-17
Suited to This Bathroom Type	Shower with threshold	Shower over bathtub	Shower over bathtub	Roll In accessible shower	Roll In accessible shower	Roll In accessible shower	Roll In accessible shower	Roll In accessible shower	Roll In accessible shower	Roll In accessible shower	Seat for use in shower or bath
Footrests - Removable and Swing-away	✓	✓	✓	✓	✓	✓	✓	✓	✓		
Footrests / Flip Up	✓	✓	✓	✓	✓	✓	✓	✓	✓	✓	
Footrests - No Footrest											✓
Lap or Chest Belts (can be fitted to suit user - 1 set only)					✓		✓	✓	✓		
Lap and Chest Belts come as standard	✓	✓	✓	✓							
Lap or Chest Belts - Not Supplied						✓				✓	✓
Caster Wheels 4 Locking, Stainless Steel Parts, 12-mth warranty	✓	✓	✓	✓	✓		✓	✓	✓		
Caster Wheels, Rear Locking, Steel /Zinc plated, 6-mth warranty						✓				✓	
Caster Wheels - None											✓
Wheelchair Wheels 610mm (24") + Front Casters									✓		

Product Features

											
Model Name	Showerbuddy	TubBuddy	TubBuddy Tilt	Roll-InBuddy Tilt	Roll-InBuddy Lite	Roll-InBuddy Dawn	Roll-InBuddy XL	Roll_InBuddy XXL	Roll-InBuddy Solo	Roll-InBuddy Eco	Shower Seat
Model Number	SB1	SB2	SB2T	SB3T	SB6C	SB6CC	SB6-22	SB6-26	SB6W	SB7C	SB7-17
Suited to This Bathroom Type	Shower with threshold	Shower over bathtub	Shower over bathtub	Roll In accessible shower	Roll In accessible shower	Roll In accessible shower	Roll In accessible shower	Roll In accessible shower	Roll In accessible shower	Roll In accessible shower	Seat for use in shower or bath
Rubber Feet - Non-slip											✓
Commode Bucket / Lid - Standard Round		✓	✓							✓	✓
Commode Bucket / Lid - Custom Design / Handle	✓			✓	✓		✓	✓	✓		
Commode Bucket - Fit / Remove From Rear	✓	✓	✓	✓	✓		✓	✓	✓		
Commode Bucket - Fit / Remove by Flip Up Cushion										✓	✓
Commode Bucket - Not Supplied						✓					
Tool-free Assembly	✓	✓	✓	✓	✓	✓	✓	✓	✓		
Tools Required For Easy Assembly										✓	✓
Warranty - 2 Year Limited (Refer Terms and Conditions)	✓	✓	✓	✓	✓		✓	✓	✓		
Warranty - 1 Year Limited (Refer Terms and Conditions)						✓				✓	✓



Note: Each square in the grid represents 1 square foot



Bathroom Measurements:

Using the grid provided please draw the layout of your bathroom. In the diagram please indicate the location of all items such as toilet, sink, shower, shelves etc. Also indicate the location of any doors which are used to enter the bathroom.

It is important that you accurately provide the distances between all items in your bathroom. For example the distance between the sink and the bath or the distance between the shower and the toilet.

Required Measurements:

- Bathroom door width (opening width)
- Clearance in front of shower
- Shower door width (opening width)
- Clearance in front of bath
- Clearance in front of toilet

Shower Measurements:

- A** Length
- B** Depth
- C** Lip height (outside)
- D** Lip height (inside)
- E** Lip width

Bath Measurements:

- F** Length
- G** Depth
- H** Length (inside)
- I** Depth (inside)
- J** Lip height (inside top)
- K** Lip height (inside bottom)
- L** Lip height (outside)
- M** Lip width

Toilet Measurements:

- N** Width
- O** Depth (back wall)
- P** Depth(toilet tank)
- Q** Height

Bath Room Planner

SB1



SB2



SB2T



www.showerchairs.co

Designed in New Zealand

Copyright © 2015 by Showerbuddy Global Limited All rights reserved

showerbuddy™

Product Catalogue 2016 edition 1